

United States Patent [19]

Parker

[11] Patent Number: **Des. 279,770**

[45] Date of Patent: **** Jul. 23, 1985**

[54] **WARNING LIGHT**

[76] Inventor: **Norman A. Parker, 10 W. Logan St., Philadelphia, Pa. 19144**

[**] Term: **14 Years**

[21] Appl. No.: **330,970**

[22] Filed: **Dec. 15, 1981**

[52] U.S. Cl. **D10/114; D10/109**

[58] Field of Search **D10/109, 114, 115; 340/81 R, 84, 87, 90, 107, 114 B, 121, 136; 116/63 R, 63 P, 28; 40/591, 592, 612**

[56] **References Cited**

U.S. PATENT DOCUMENTS

1,514,534 11/1924 Kobzy 340/87

2,237,536 4/1941 Wells, Jr. 340/87 X
2,603,698 7/1952 Rieder 340/84
2,890,444 6/1959 Turk 340/81 R X
4,070,775 1/1978 Brooks D10/109 X

Primary Examiner—Susan J. Lucas
Attorney, Agent, or Firm—David Edwards

[57] CLAIM

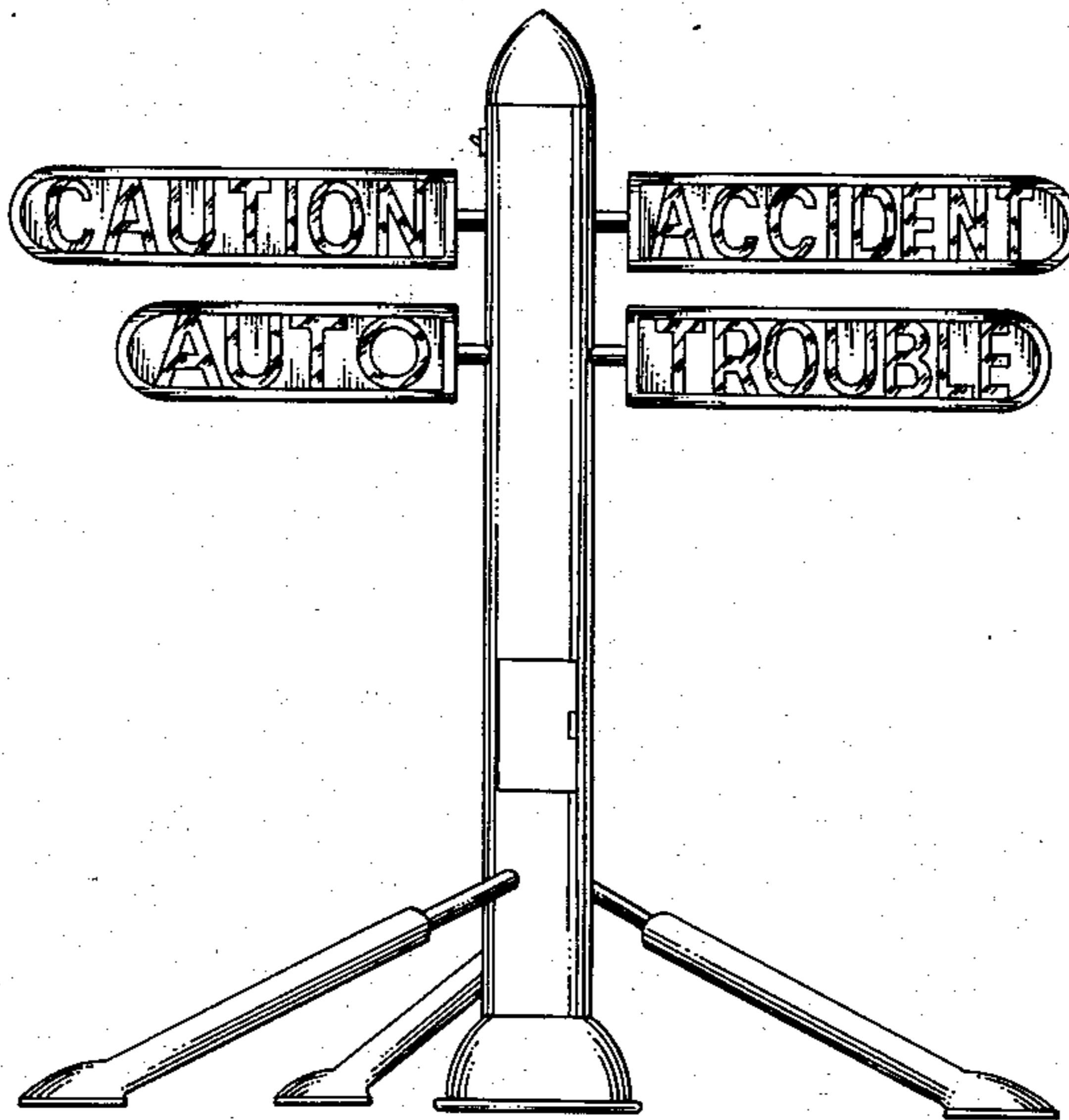
The ornamental design for a warning light, as shown and described.

DESCRIPTION

FIG. 1 is a front elevational view of a warning light showing my new design;

FIG. 2 is a side elevational view thereof on a reduced scale;

FIG. 3 is a rear perspective view thereof on a reduced scale.



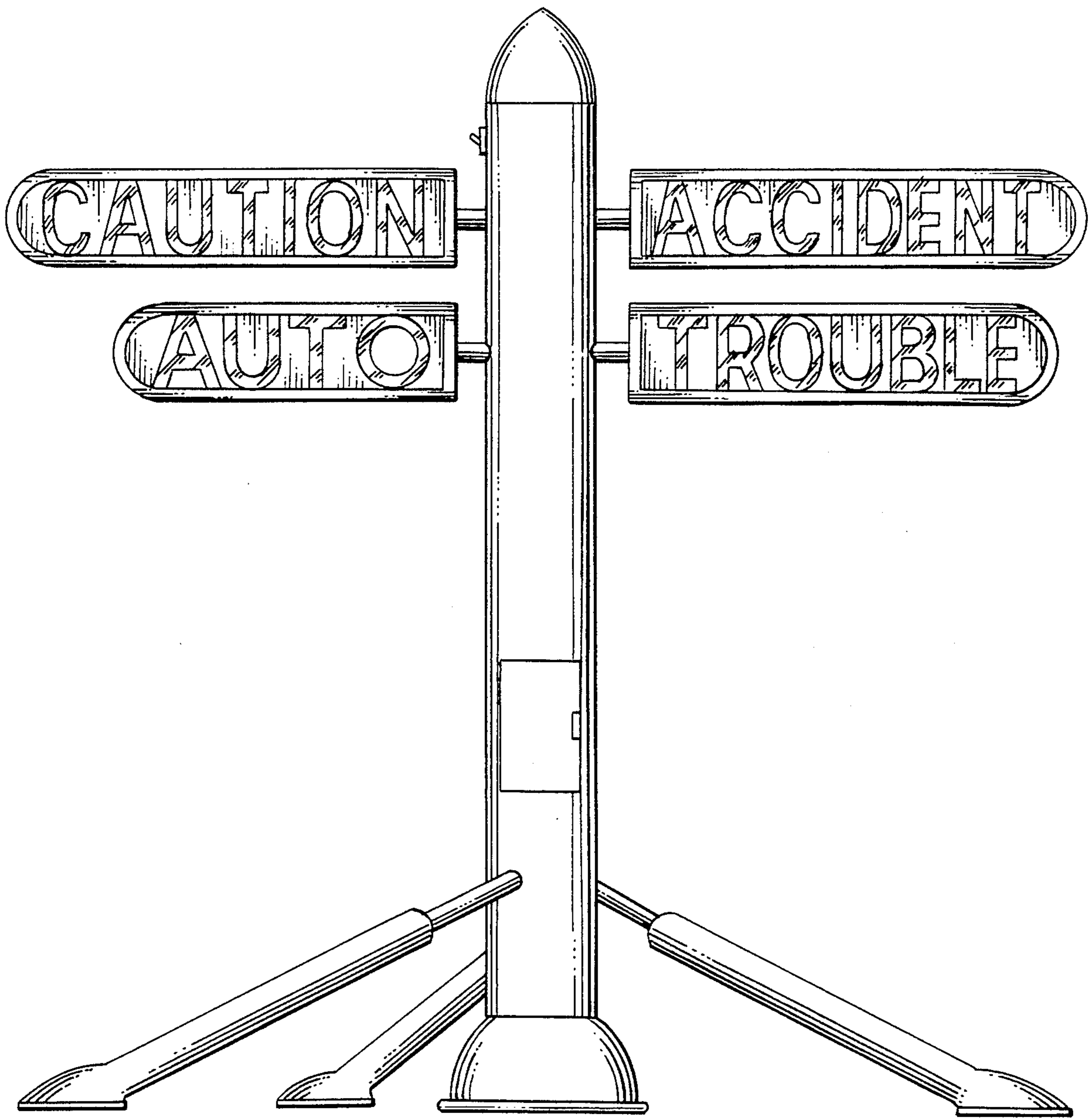


FIG. 1.

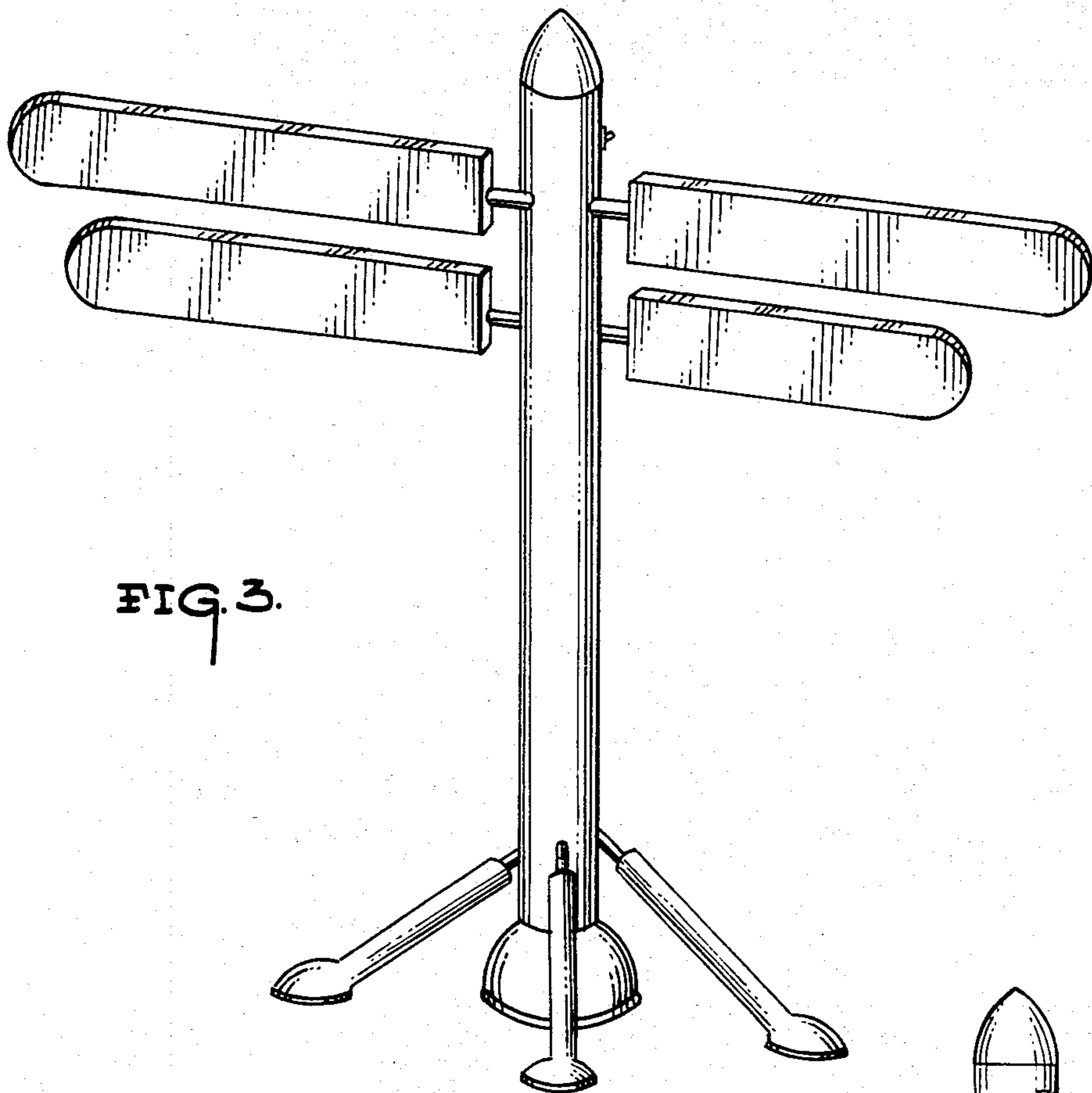


FIG. 3.

FIG. 2.

