

[54] **DISTANCE MEASURING SKI ATTACHMENT**
[76] **Inventor: Sharzad Razmjoo, 3963 Crans S/Sierre, Valais, Switzerland**
[**] **Term: 14 Years**
[21] **Appl. No.: 499,511**
[22] **Filed: May 31, 1983**
[52] **U.S. Cl. D10/70; 33/141 E; D10/97**
[58] **Field of Search D10/70, 97, 98; D21/230; 280/809; 235/95 R, 95 B, 96, 103; 33/141 R, 141 E, 141.5**

[56] **References Cited**
U.S. PATENT DOCUMENTS
D. 209,699 12/1967 Pagani D10/70
589,910 9/1897 Shepard D10/97 X
3,478,606 11/1969 Pederson 235/95 R X

3,629,557 12/1971 Lareau 33/141 E X
4,136,451 1/1979 Briand 33/141 E
4,454,411 6/1984 Hale 235/96 X

Primary Examiner—Nelson C. Holtje
Attorney, Agent, or Firm—Young & Thompson

[57] **CLAIM**

The ornamental design for a distance measuring ski attachment, as shown and described.

DESCRIPTION

FIG. 1 is a front and top-right perspective view of a distance measuring ski attachment showing my new design;
FIG. 2 is a left side elevational view thereof;
FIG. 3 is a top plan view of FIG. 2;
FIG. 4 is a bottom plan view of FIG. 2;
FIG. 5 is a front elevational view thereof;
FIG. 6 is a rear elevational view thereof;
FIG. 7 is a left side elevational view thereof with the movable arm in an extended position.

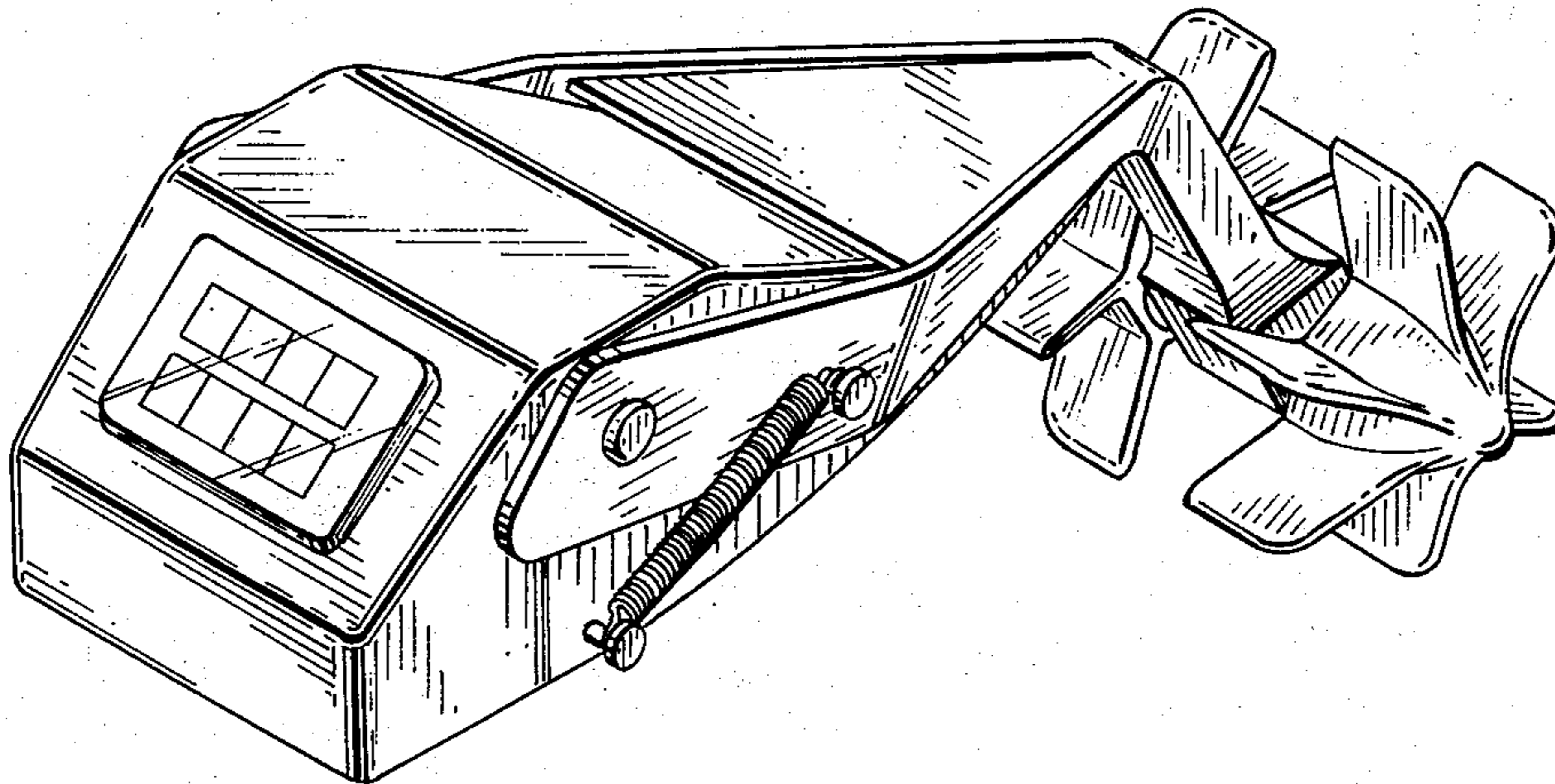


FIG. 1

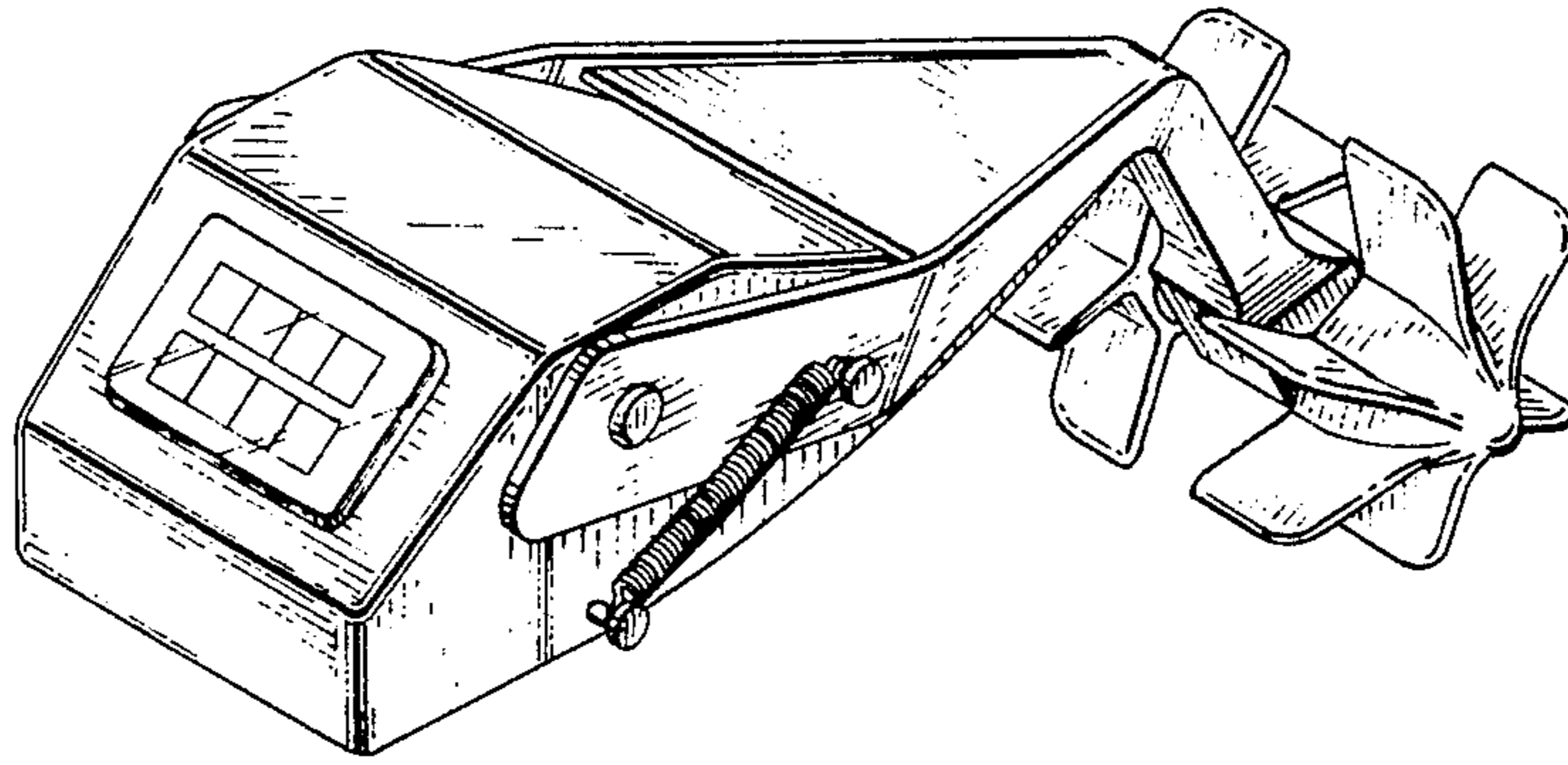


FIG. 2

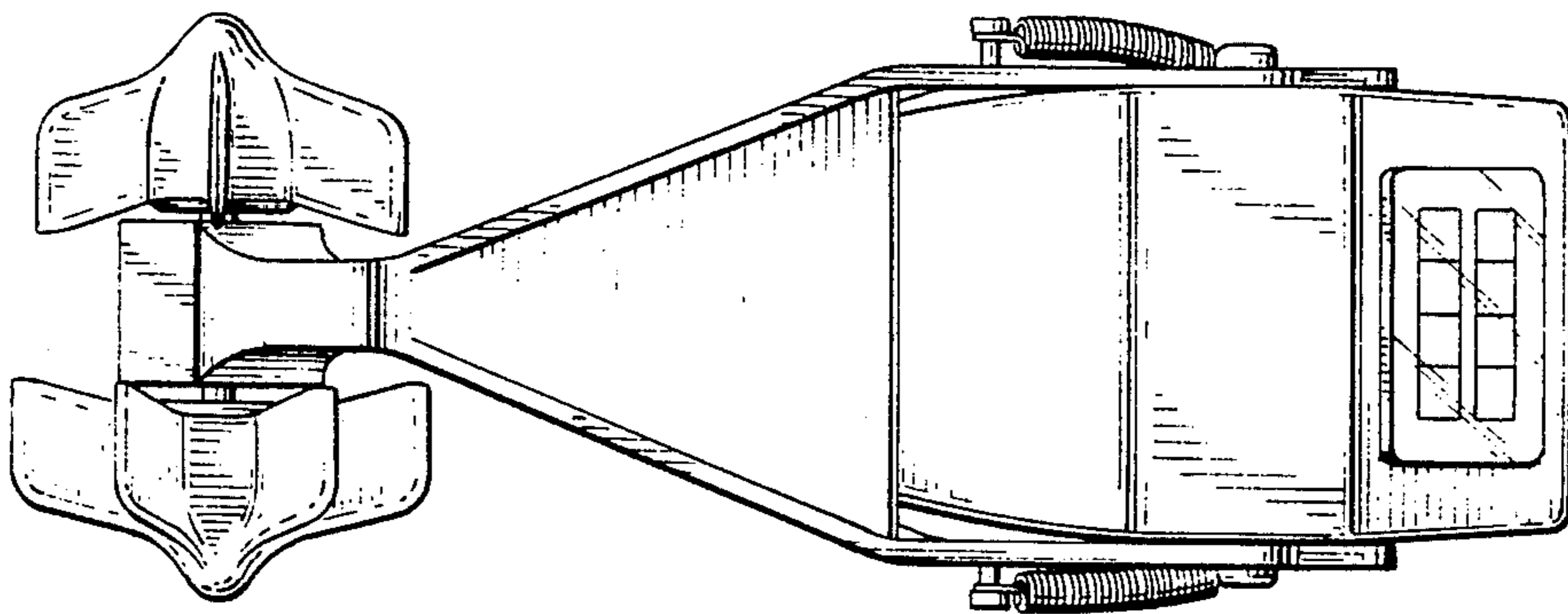
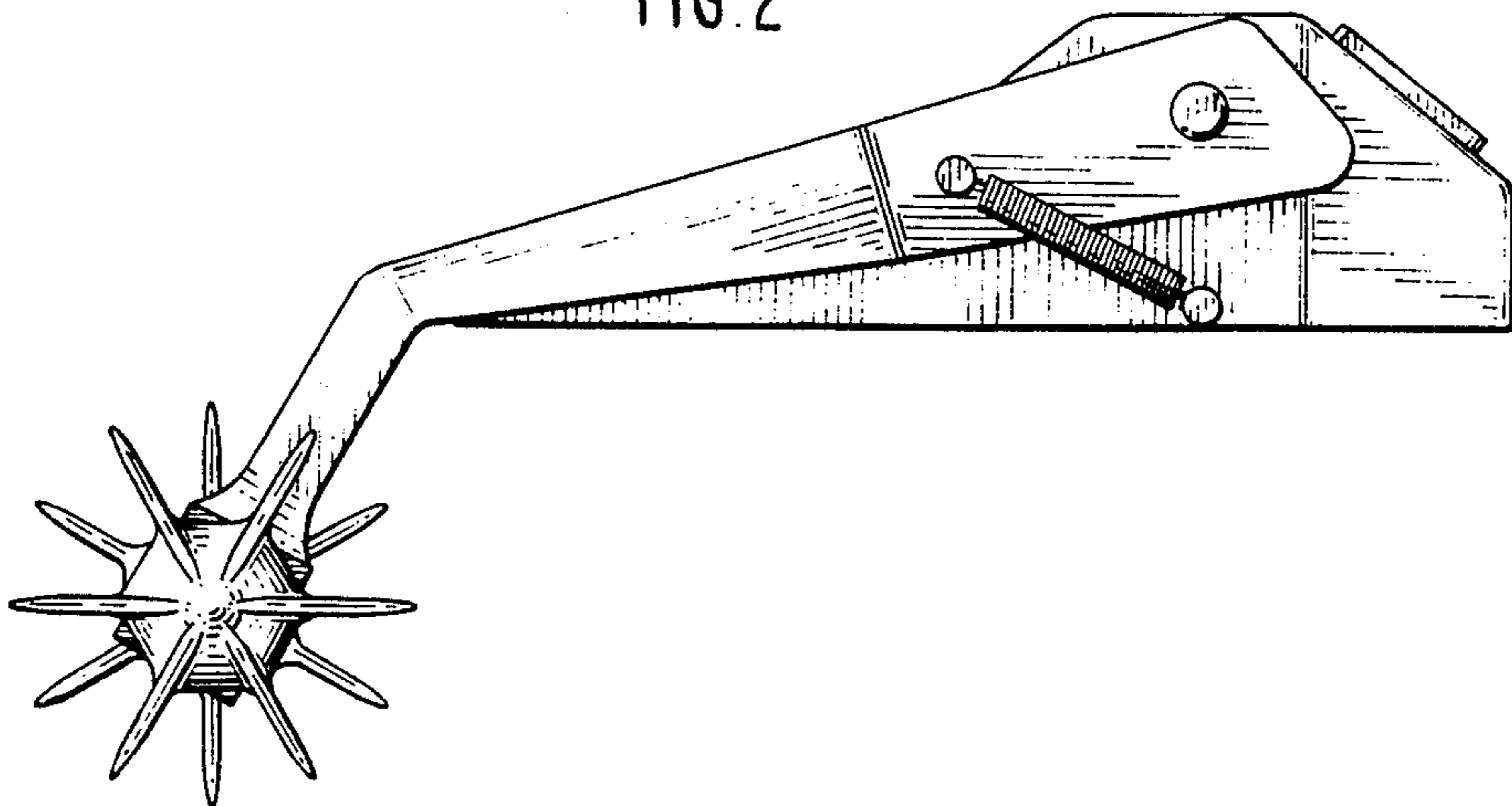


FIG. 3

FIG. 4

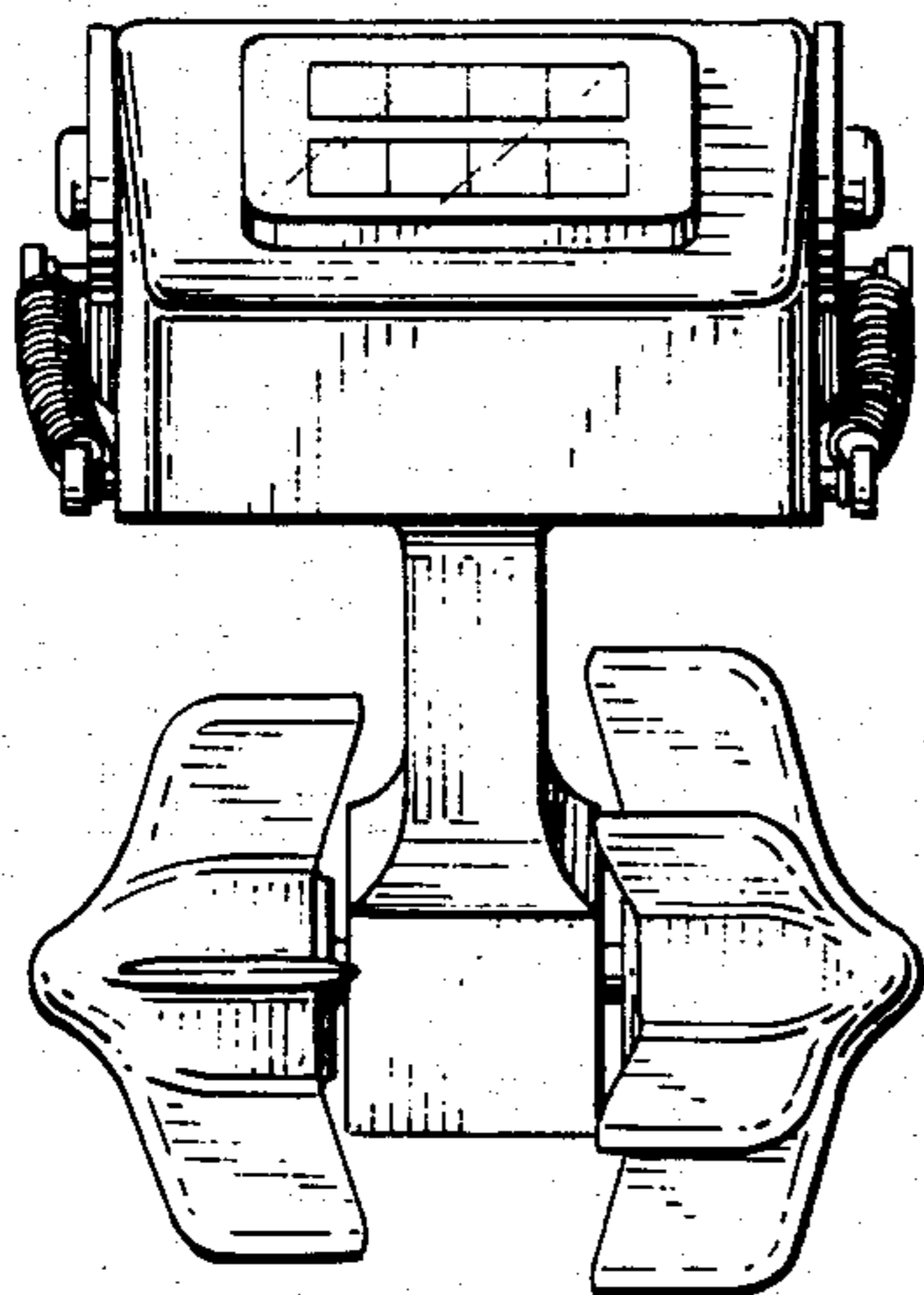
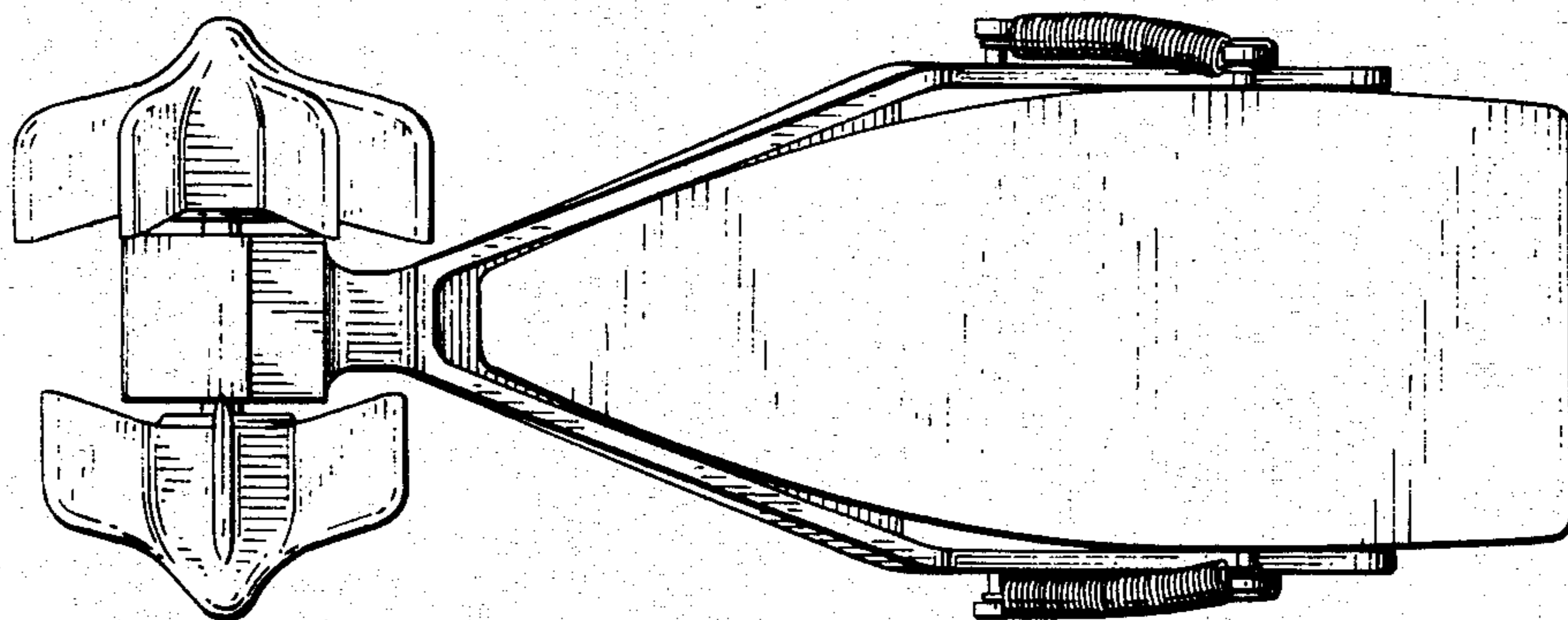


FIG. 5

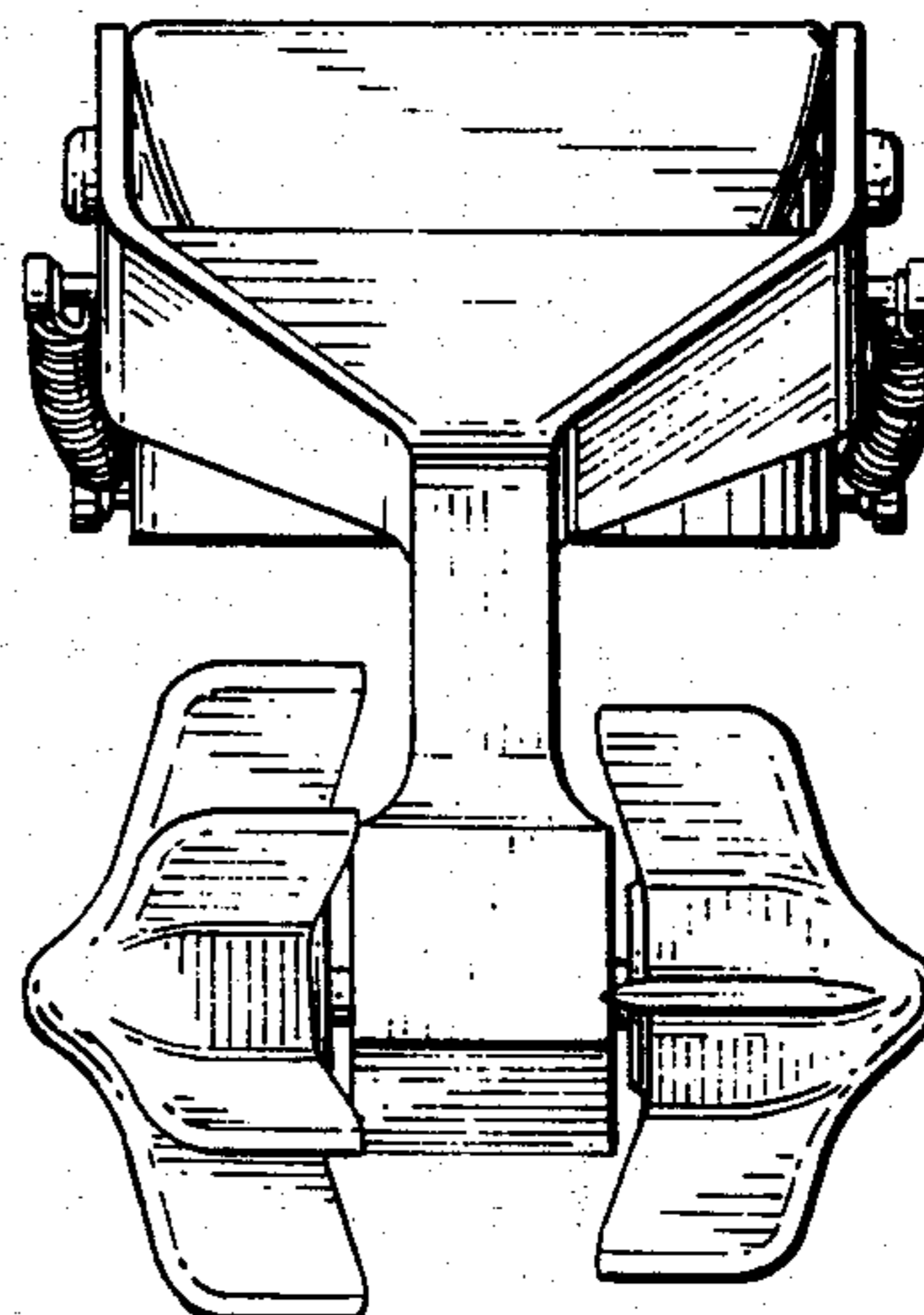


FIG. 6

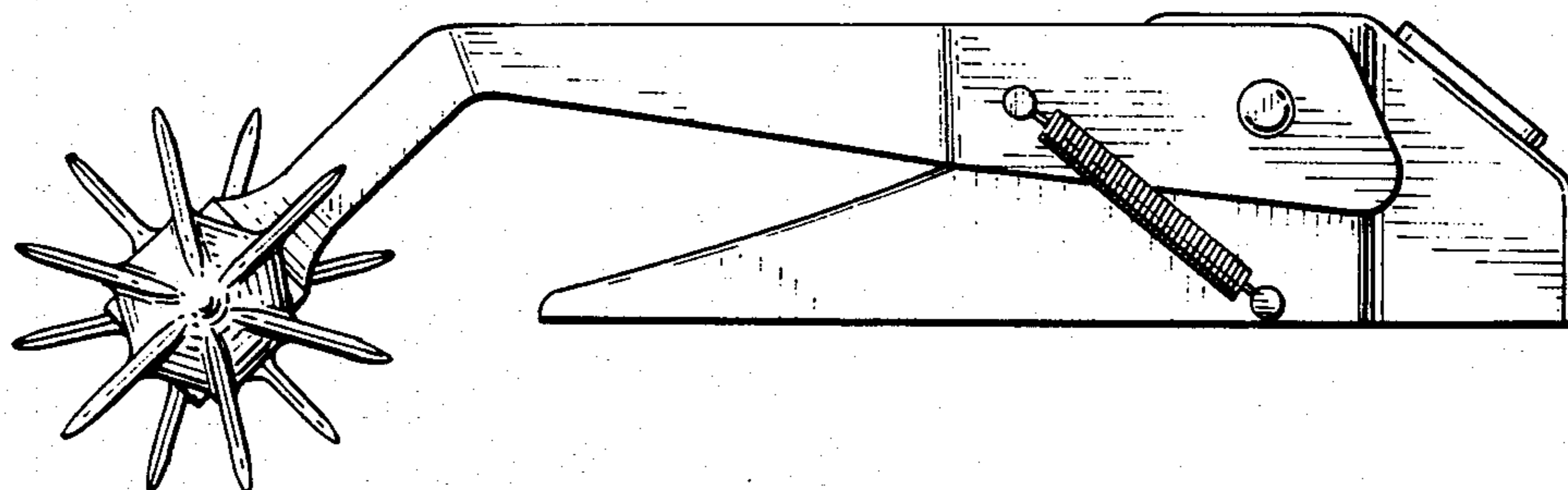


FIG. 7