

[54] WRAPPING SHEET FOR MAGNETIC TAPE CASSETTE

[75] Inventor: Keiichi Yoshizawa, Chiba, Japan
[73] Assignee: TDK Corporation, Tokyo, Japan
[**] Term: 14 Years
[21] Appl. No.: 401,465
[22] Filed: Jul. 26, 1982
[52] U.S. Cl. D9/305; D59/2 C
[58] Field of Search D59/2 A, 2 R; D9/305;
229/40, 87 R

[56] References Cited

U.S. PATENT DOCUMENTS

2,155,668	4/1939	Little	229/87 R
2,157,193	5/1939	Webber et al.	229/87 R X
2,294,690	9/1942	Perry	229/87 R X
3,485,345	12/1969	Deasy	229/87 R X

OTHER PUBLICATIONS

25th Anniversary Best Products Catalog 1981/82, p. 330, bottom left of page.

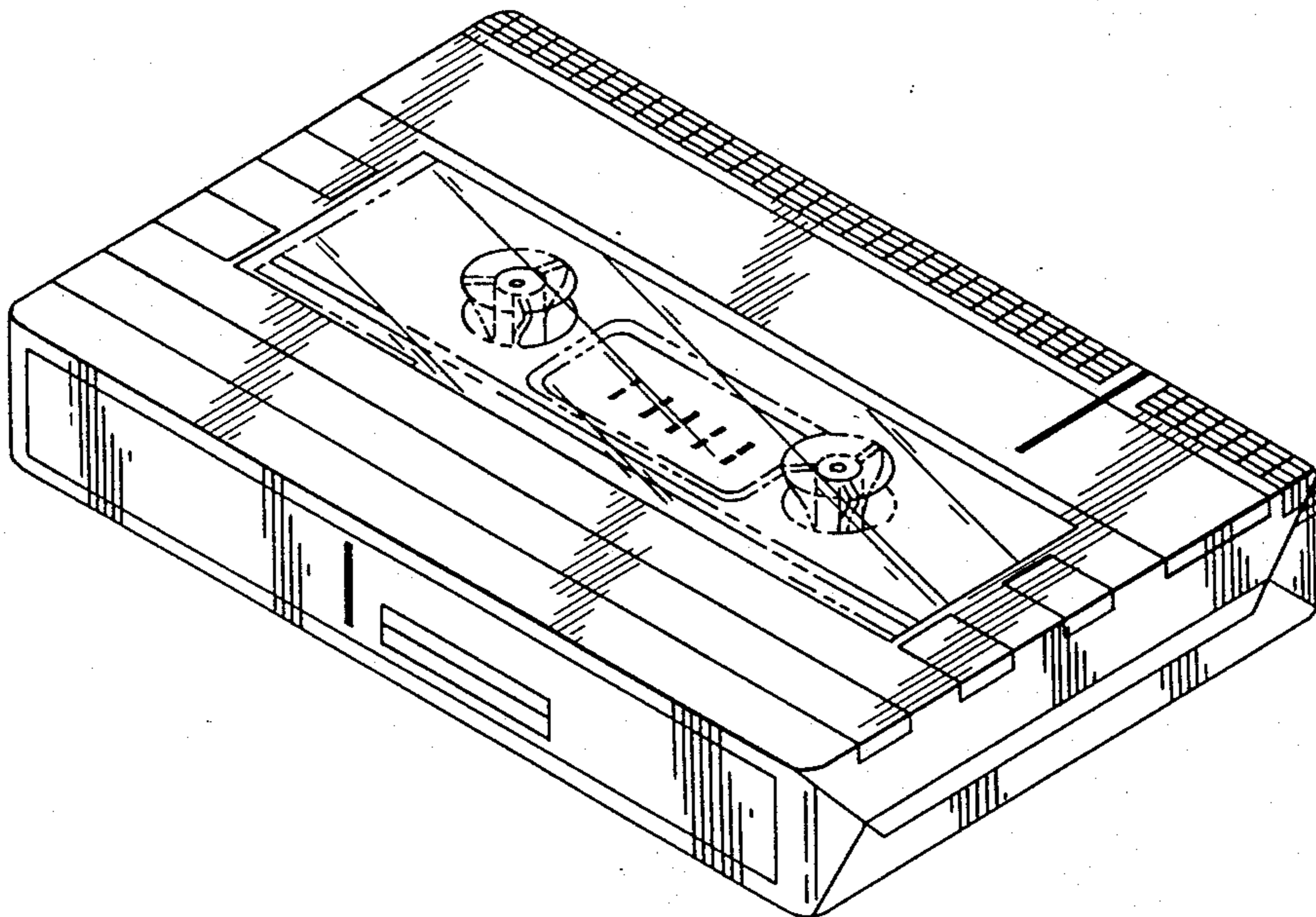
Primary Examiner—Bernard Ansher
Assistant Examiner—Theodore M. Shooman
Attorney, Agent, or Firm—Seidel, Gonda, Goldhammer

[57] CLAIM

The ornamental design for a wrapping sheet for magnetic tape cassette, substantially as shown and described.

DESCRIPTION

FIG. 1 is a plan view of a wrapping sheet for magnetic tape cassette, showing my new design;
FIG. 2 is a top or bottom edge view thereof;
FIG. 3 is a side edge view thereof; and
FIG. 4 is an isometric view showing the wrapping sheet wrapped around a magnetic tape cassette.



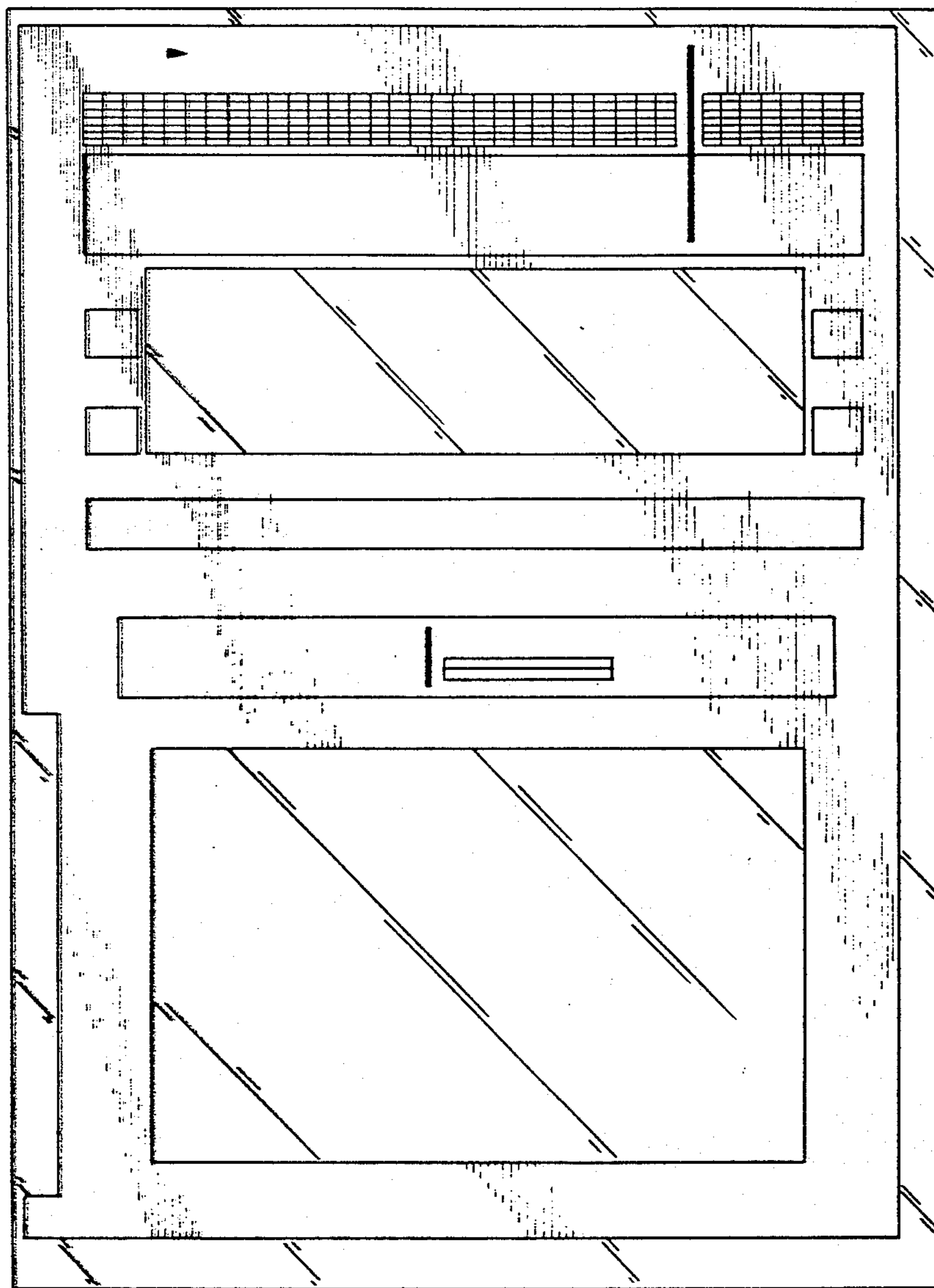


FIG. 1



FIG. 2



FIG. 3

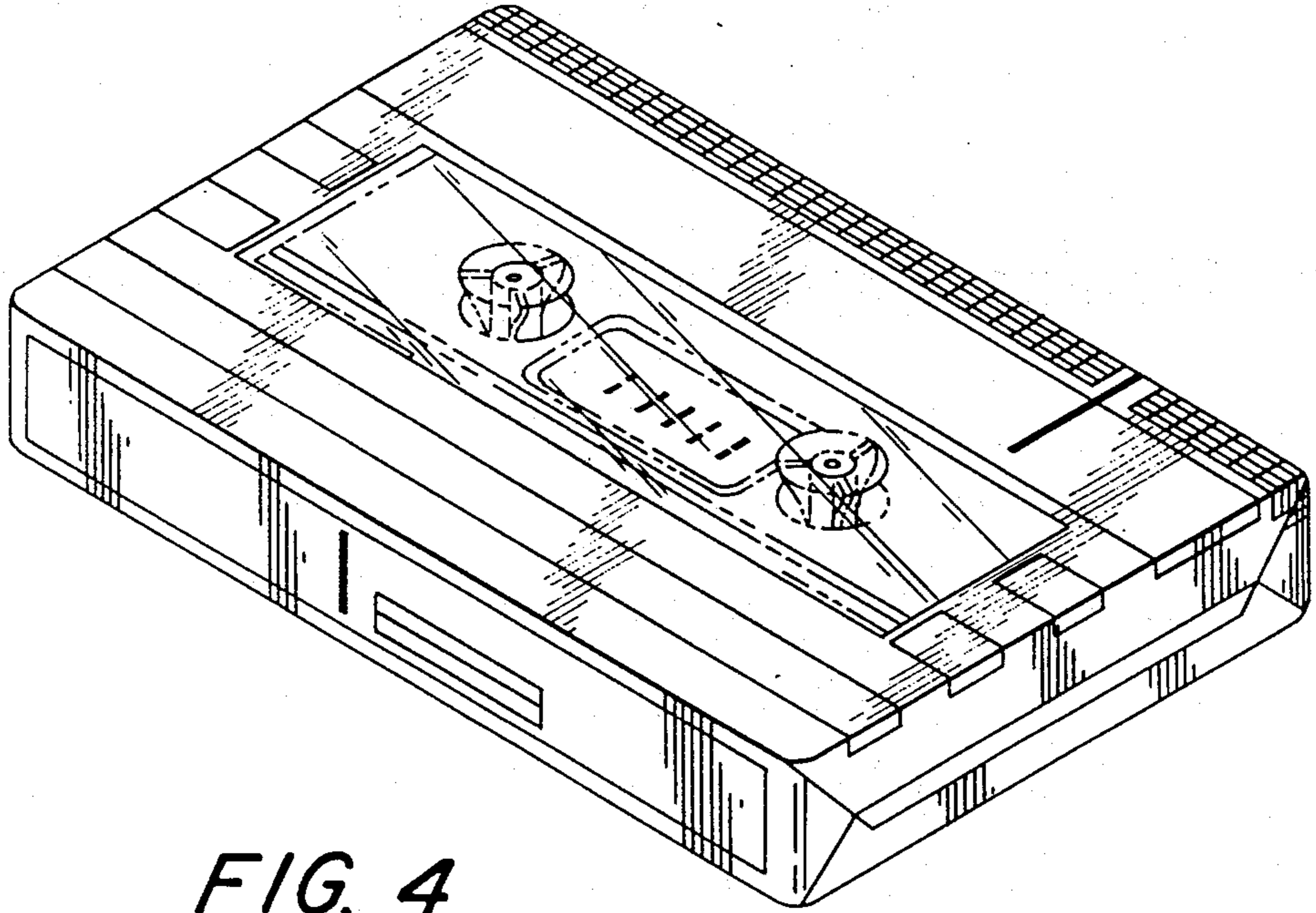


FIG. 4