

[54] CONTAINER LID

2,428,894 10/1947 Serio ..... 220/231

[75] Inventors: William C. Cesaroni, Glenview, Ill.;  
Robert P. Rauen, West Bend, Wis.

[73] Assignee: Dart Industries Inc., Northbrook, Ill.

[\*\*] Term: 14 Years

[21] Appl. No.: 474,237

[22] Filed: Mar. 11, 1983

[52] U.S. Cl. .... D7/391

[58] Field of Search ..... D7/391, 387, 393, 360;  
D8/310; 220/94 A, 352, 356, 231

[56] References Cited

U.S. PATENT DOCUMENTS

|            |         |                   |        |
|------------|---------|-------------------|--------|
| D. 212,379 | 10/1968 | Dudas et al. .... | D7/393 |
| D. 212,704 | 11/1968 | Benes .....       | D7/360 |
| D. 261,349 | 10/1981 | Ryser .....       | D7/393 |

OTHER PUBLICATIONS

Bloomington's, p. 3 Cover For Item B-6 Qt. Round Covered Oven #302.

Primary Examiner—Bernard Ansher  
Assistant Examiner—Linda Titolo  
Attorney, Agent, or Firm—Gregory J. Mancuso

[57] CLAIM

The ornamental design for a container lid, substantially as is shown.

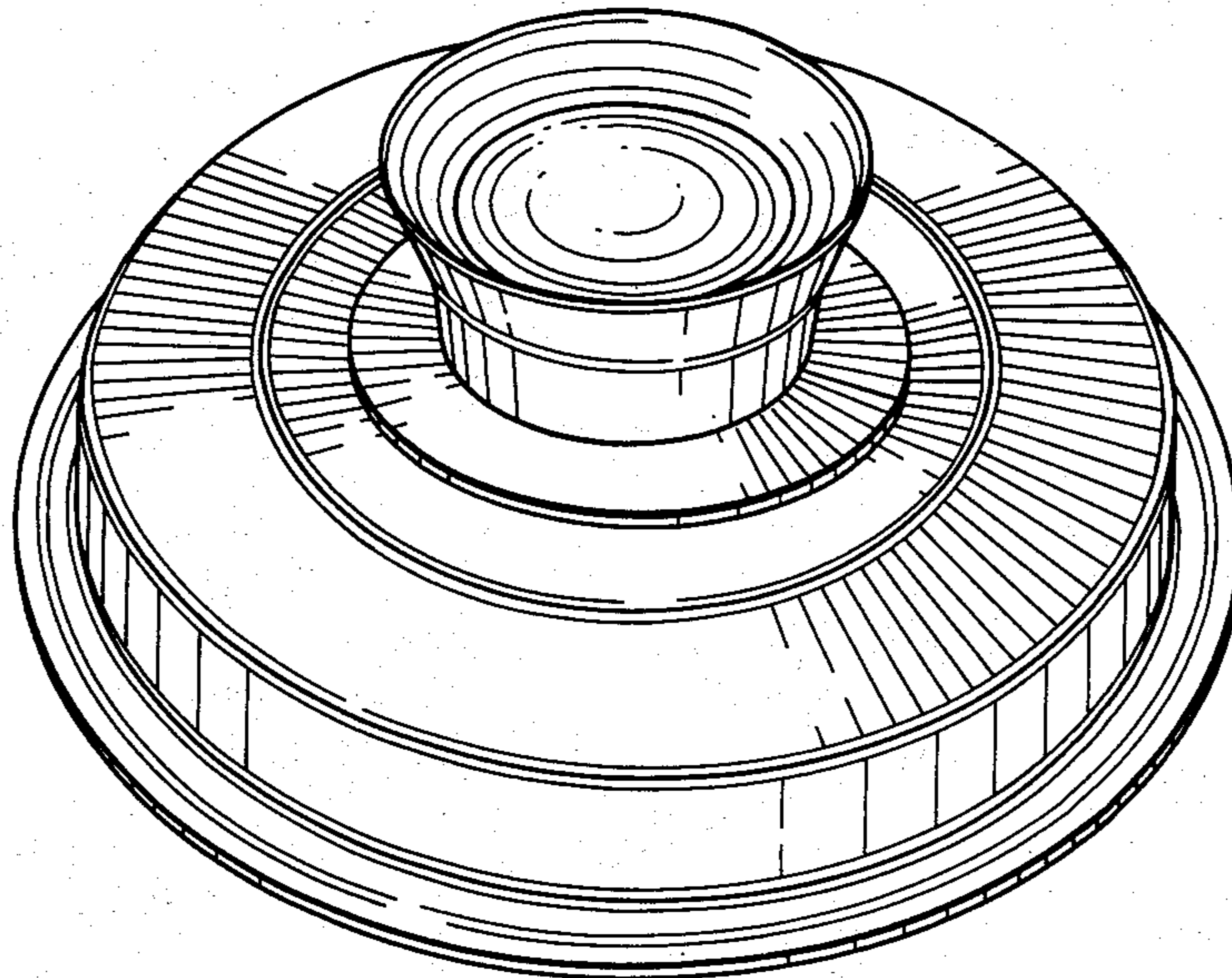
DESCRIPTION

FIG. 1 is a front perspective view of the container lid showing our new design;

FIG. 2 is a top plan view thereof;

FIG. 3 is a side elevational view thereof; and

FIG. 4 is a bottom plan view thereof.



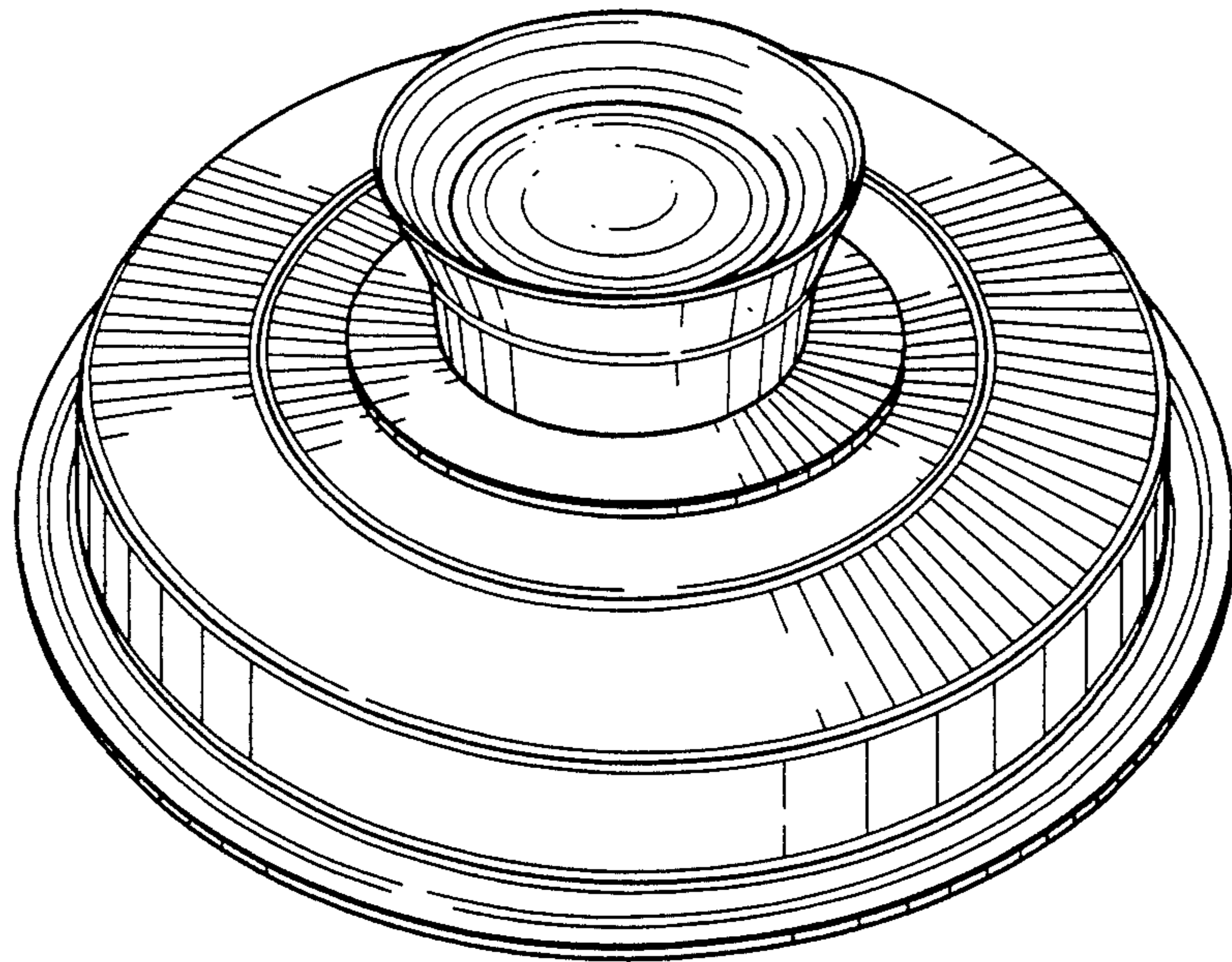


FIG. 1

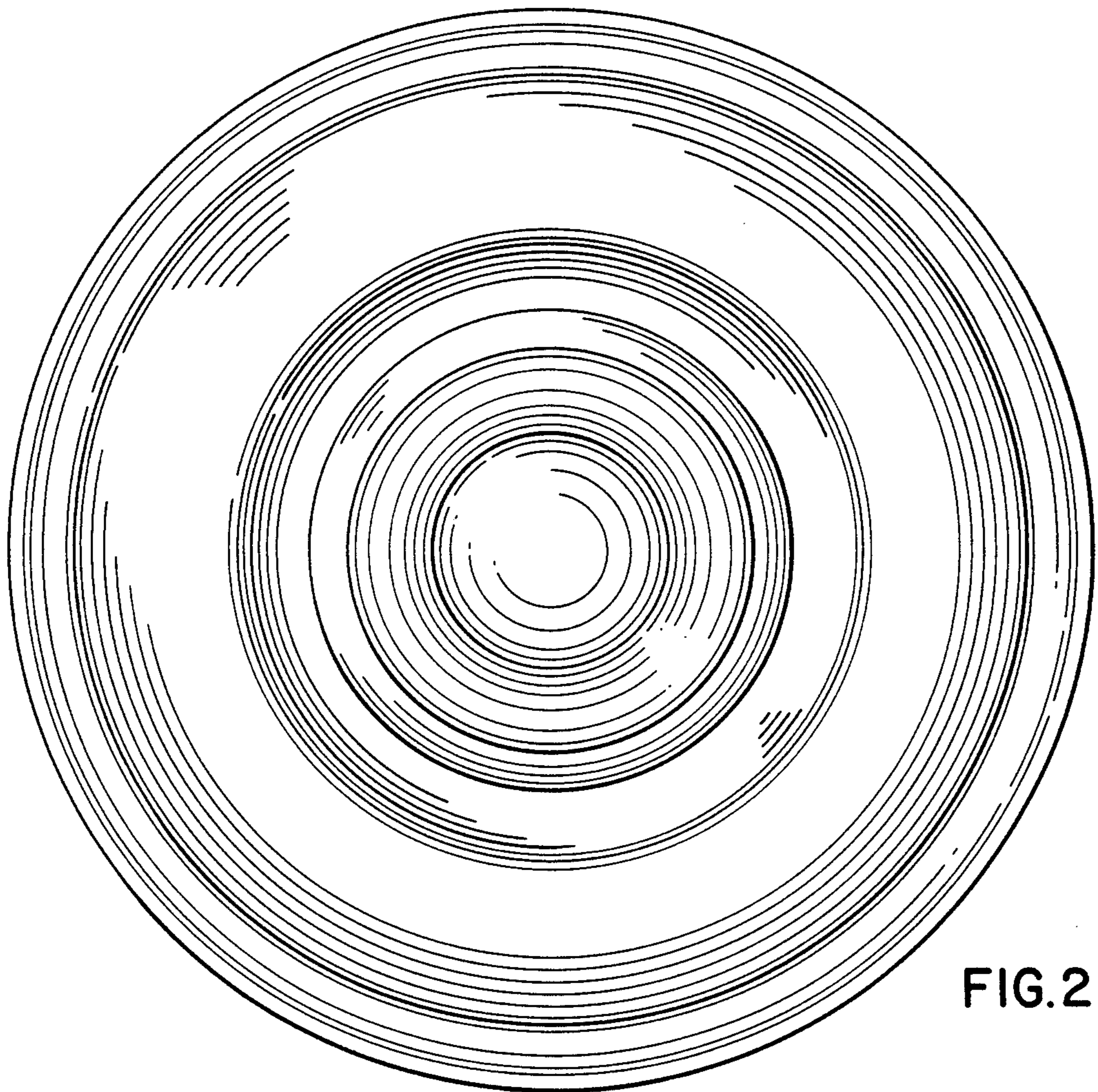


FIG. 2

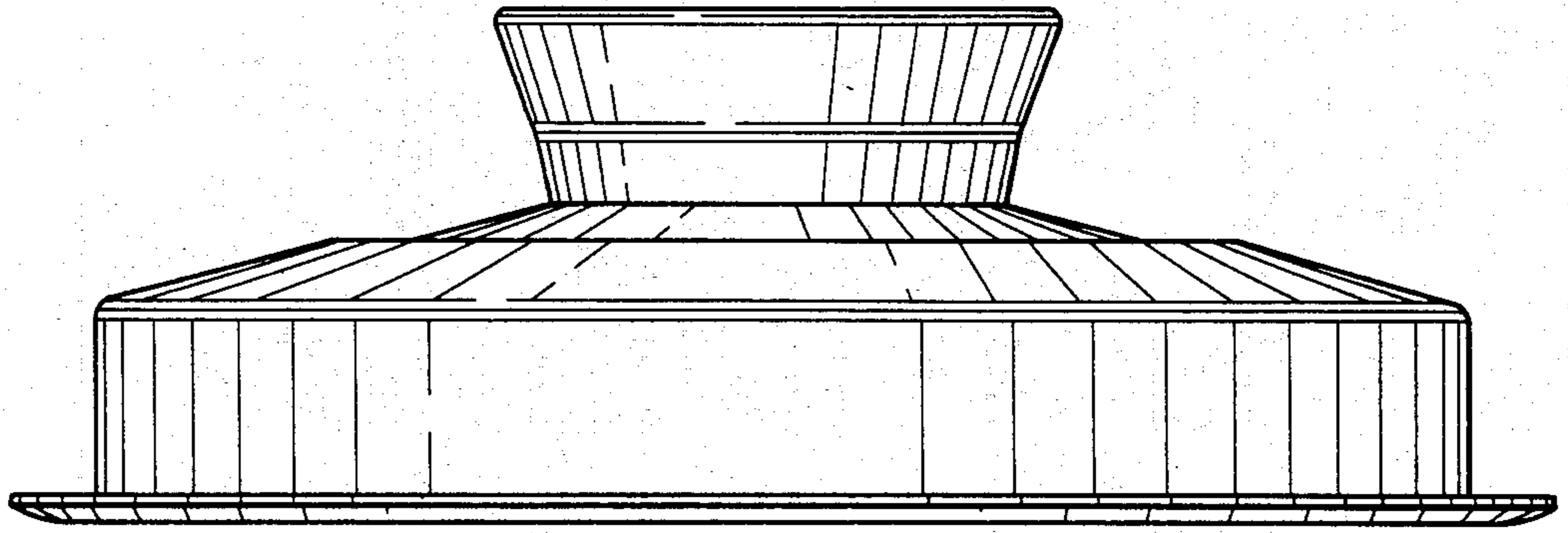


FIG. 3

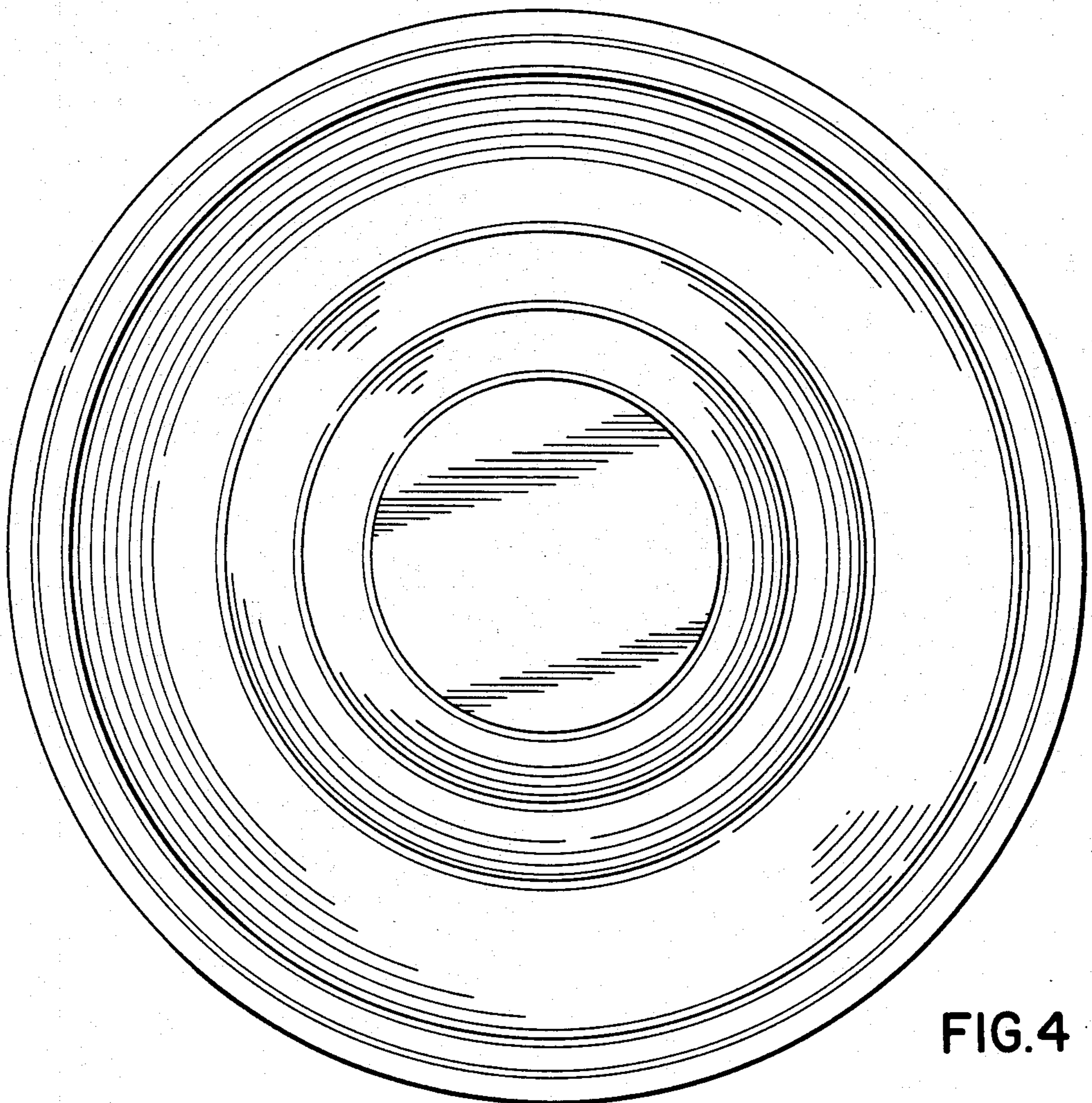


FIG. 4