

United States Patent [19]

Cesaroni et al.

[11] Patent Number: **Des. 279,758**

[45] Date of Patent: **** Jul. 23, 1985**

[54] CONTAINER LID

2,428,894 10/1947 Serio 220/231

[75] Inventors: **William C. Cesaroni**, Glenview, Ill.;
Robert P. Rauen, West Bend, Wis.

[73] Assignee: **Dart Industries Inc.**, Northbrook, Ill.

[**] Term: **14 Years**

[21] Appl. No.: **473,295**

[22] Filed: **Mar. 8, 1983**

[52] U.S. Cl. **D7/391**

[58] Field of Search **D7/391, 387, 393, 360;**
D8/310; 220/94 A, 352, 356, 231

[56] **References Cited**

U.S. PATENT DOCUMENTS

- | | | | |
|------------|---------|-------------------|--------|
| D. 212,379 | 10/1968 | Dudas et al. | D7/393 |
| D. 212,704 | 11/1968 | Benes | D7/360 |
| D. 261,349 | 10/1981 | Ryser | D7/393 |

OTHER PUBLICATIONS

Bloomington's, p. 3 Cover For Item B-6 Qt. Round covered Oven #302.

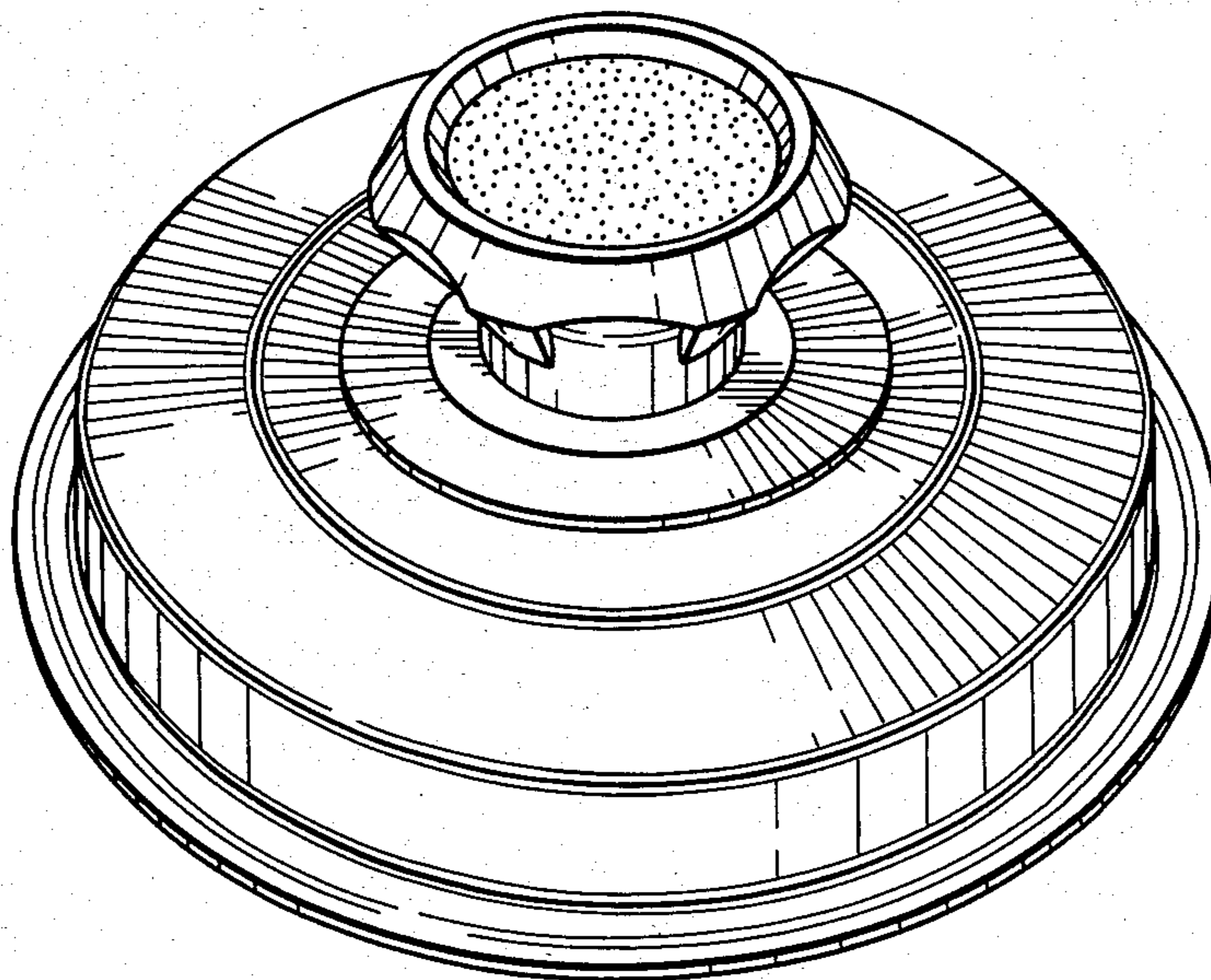
Primary Examiner—Bernard Ansher
Assistant Examiner—Linda Titolo
Attorney, Agent, or Firm—Gregory J. Mancuso

[57] **CLAIM**

The ornamental design for a container lid, substantially as is shown.

DESCRIPTION

FIG. 1 is a front perspective view of the container lid showing our new design;
FIG. 2 is a top plan view thereof;
FIG. 3 is a side elevational view thereof; and
FIG. 4 is a bottom plan view thereof.



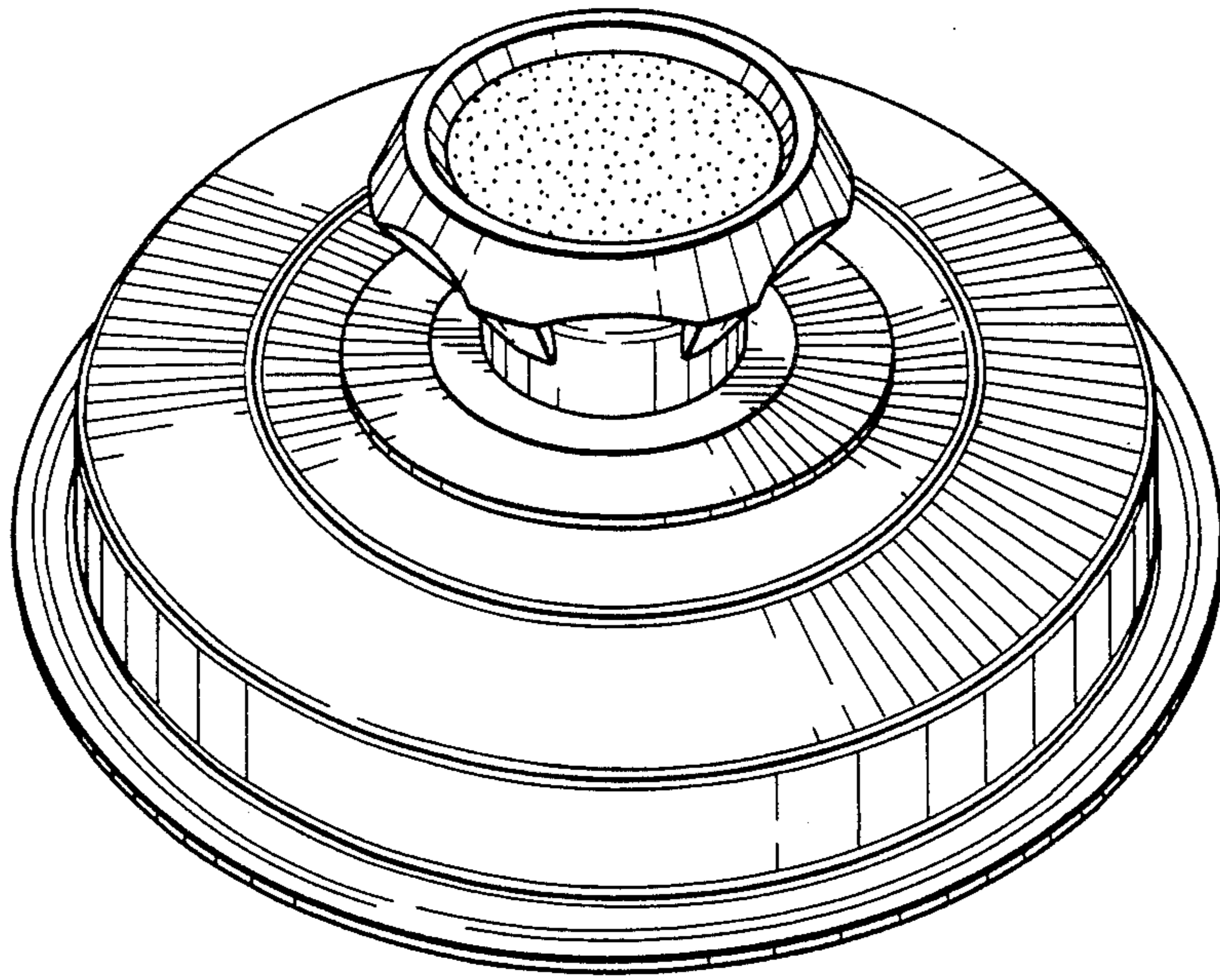


FIG. 1

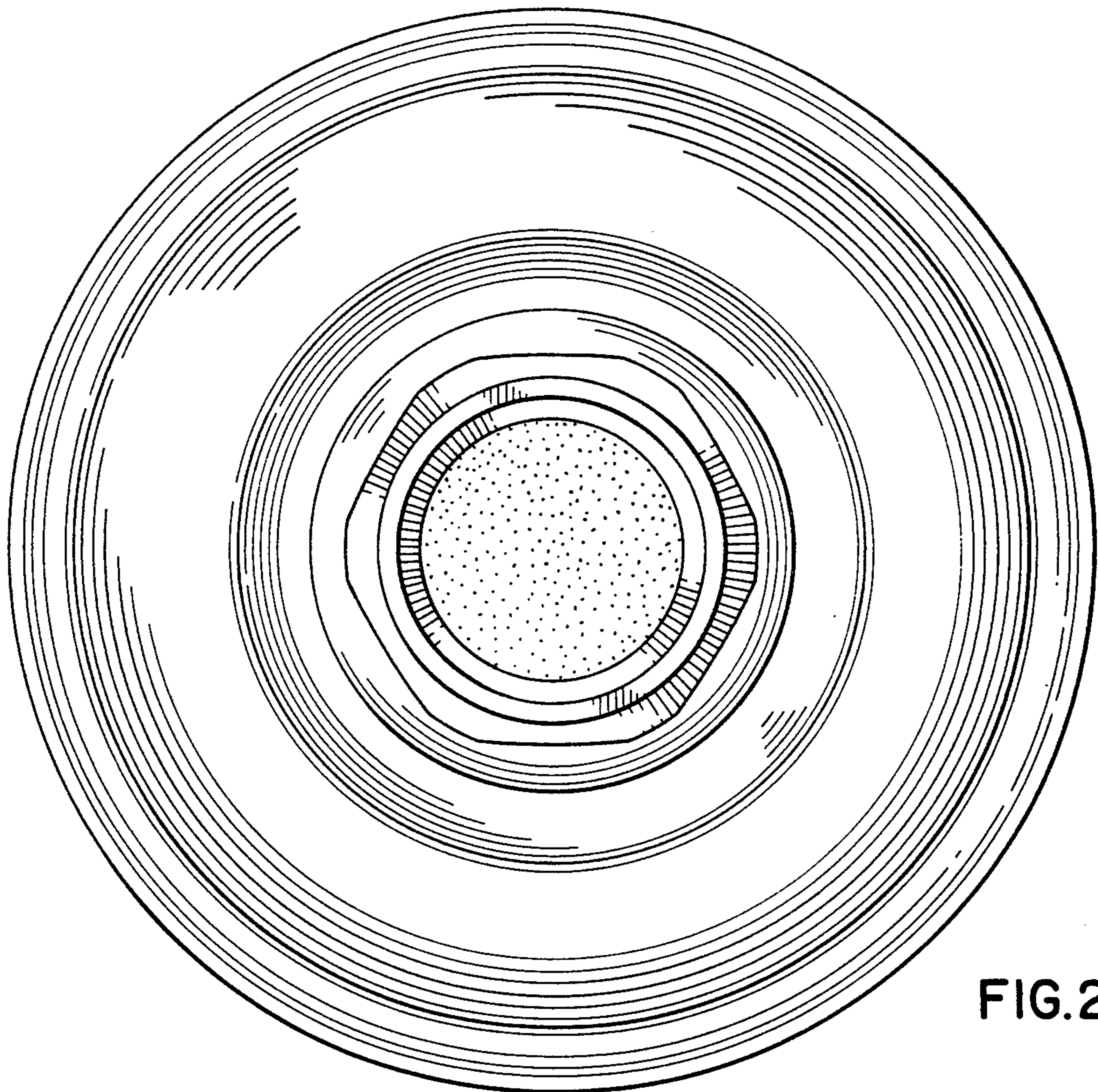


FIG. 2

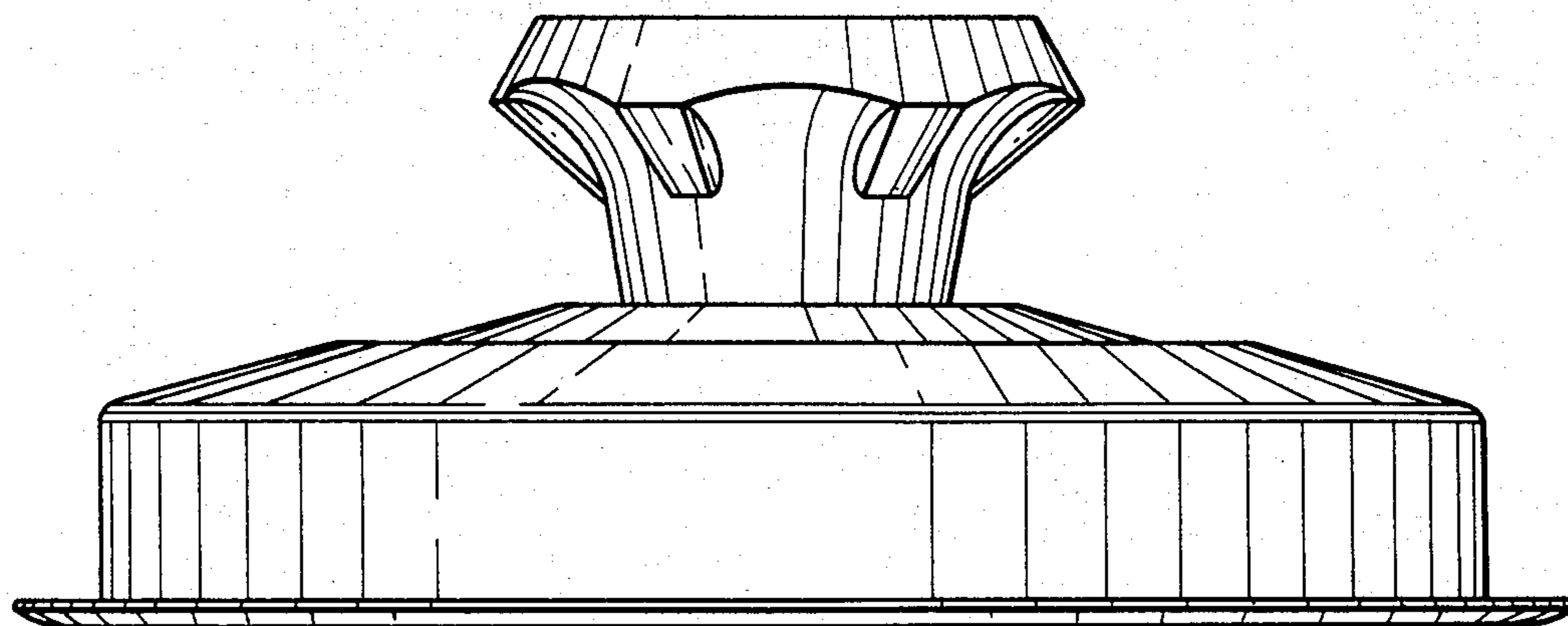


FIG. 3

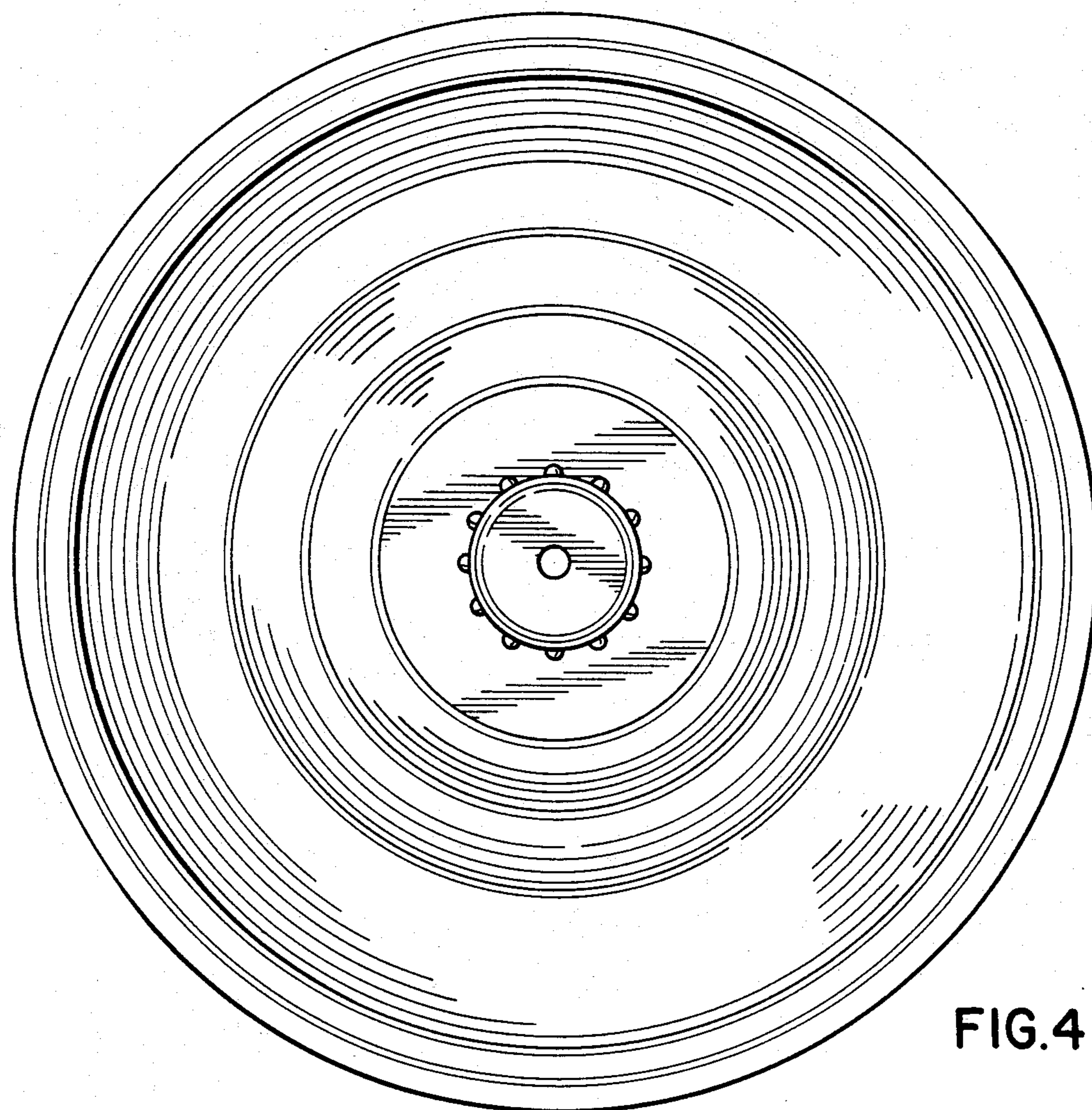


FIG. 4