

[54] **GARLIC SQUEEZER**

[75] **Inventor: Erik L. Hansen, Roskilde, Denmark**

[73] **Assignee: Rosti A/S, Ballerup, Denmark**

[**] **Term: 14 Years**

[21] **Appl. No.: 426,032**

[22] **Filed: Sep. 28, 1982**

[30] **Foreign Application Priority Data**

May 5, 1982 [GB] United Kingdom 1006549

[52] **U.S. Cl. D7/101**

[58] **Field of Search D7/101, 99, 47, 48,
D7/105; 100/125, 234, 112; 99/495**

[56] **References Cited**

U.S. PATENT DOCUMENTS

D. 198,826	8/1964	Munson	D7/48
2,776,616	1/1957	Sarossy	D7/48 X
4,069,752	1/1978	Ahner	100/125 X
4,466,346	8/1984	Gemelli	D7/100 X

OTHER PUBLICATIONS

Good Housekeeping, Oct. 1981, p. 298, right side of page, Garlic Press.

Henniker's Aug./Sep. 1979, p. 30, top right of page, Garlic Press.

Primary Examiner—Bernard Ansher

Assistant Examiner—Theodore M. Shooman

Attorney, Agent, or Firm—Lawrence Rosen

[57] **CLAIM**

The ornamental design for a garlic squeezer, as shown.

DESCRIPTION

FIG. 1 is a side elevational view of a garlic squeezer showing my new design;

FIG. 2 is a front elevational view thereof;

FIG. 3 is a cross-sectional view taken through lines 3—3 of FIG. 1;

FIG. 4 is a bottom plan view thereof;

FIG. 5 is a top plan view thereof;

FIG. 6 is a perspective view thereof.

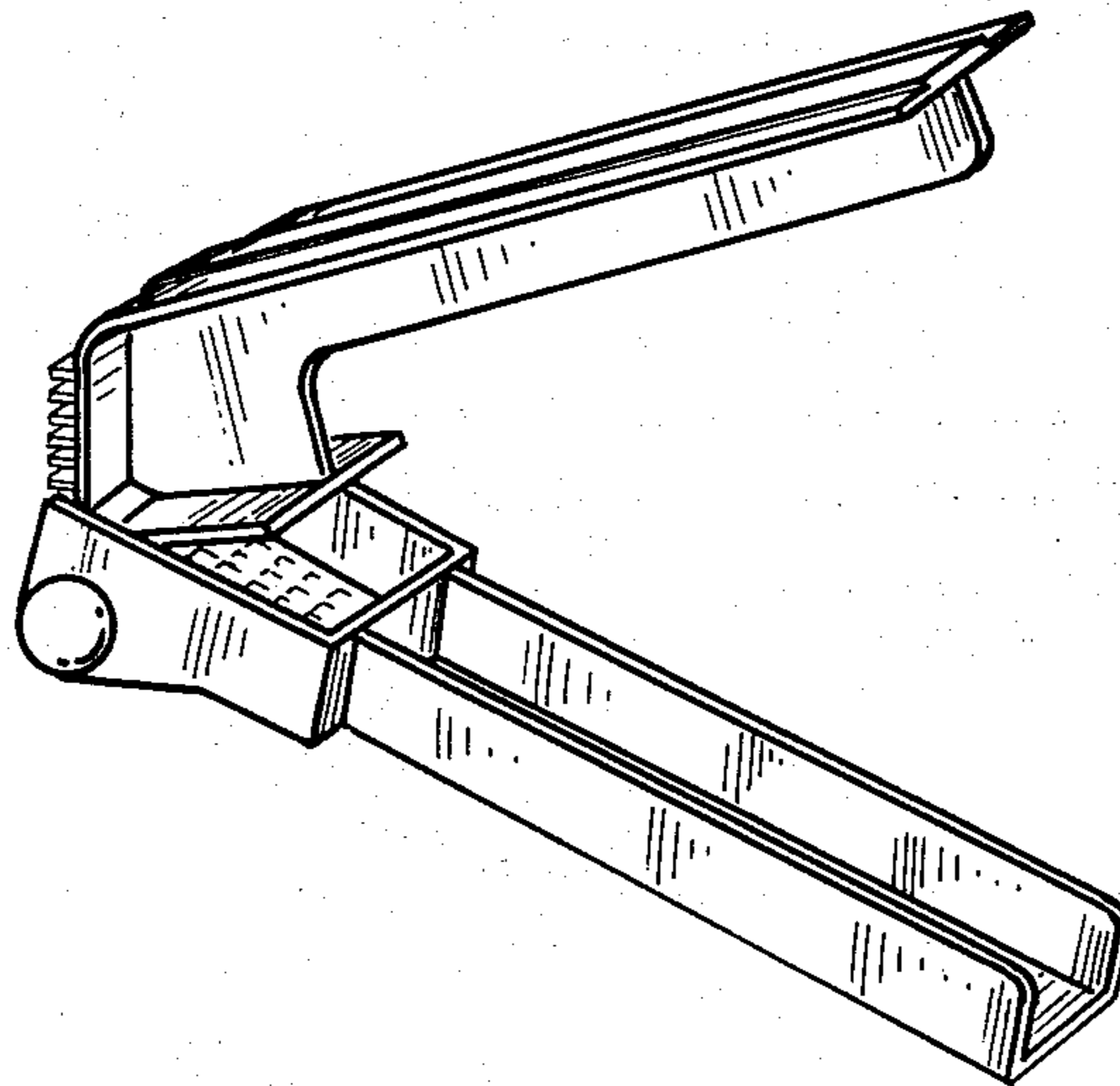


FIG. 1.

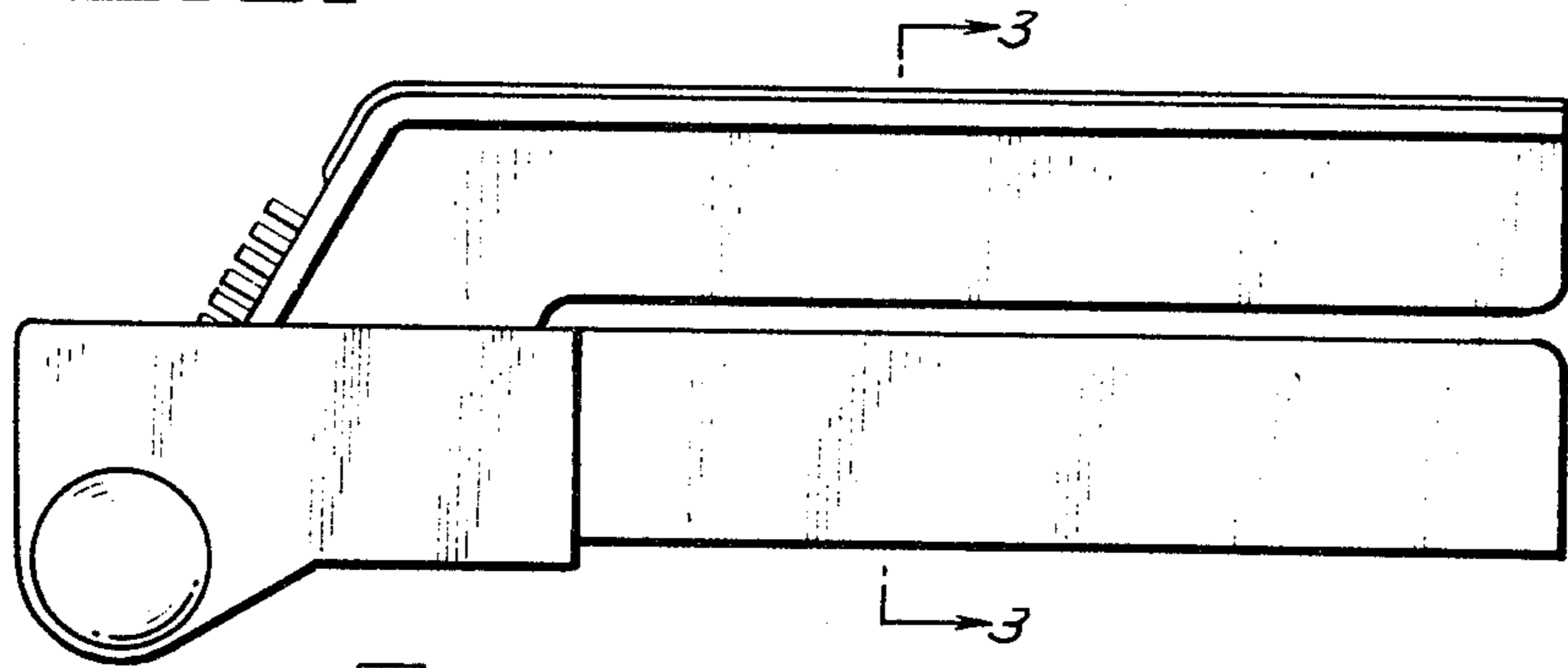


FIG. 2.

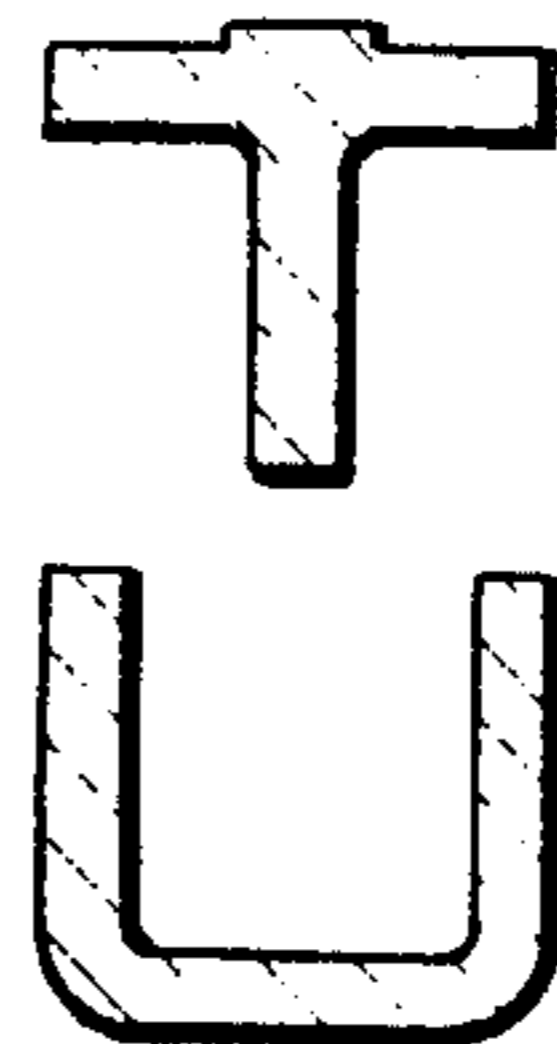
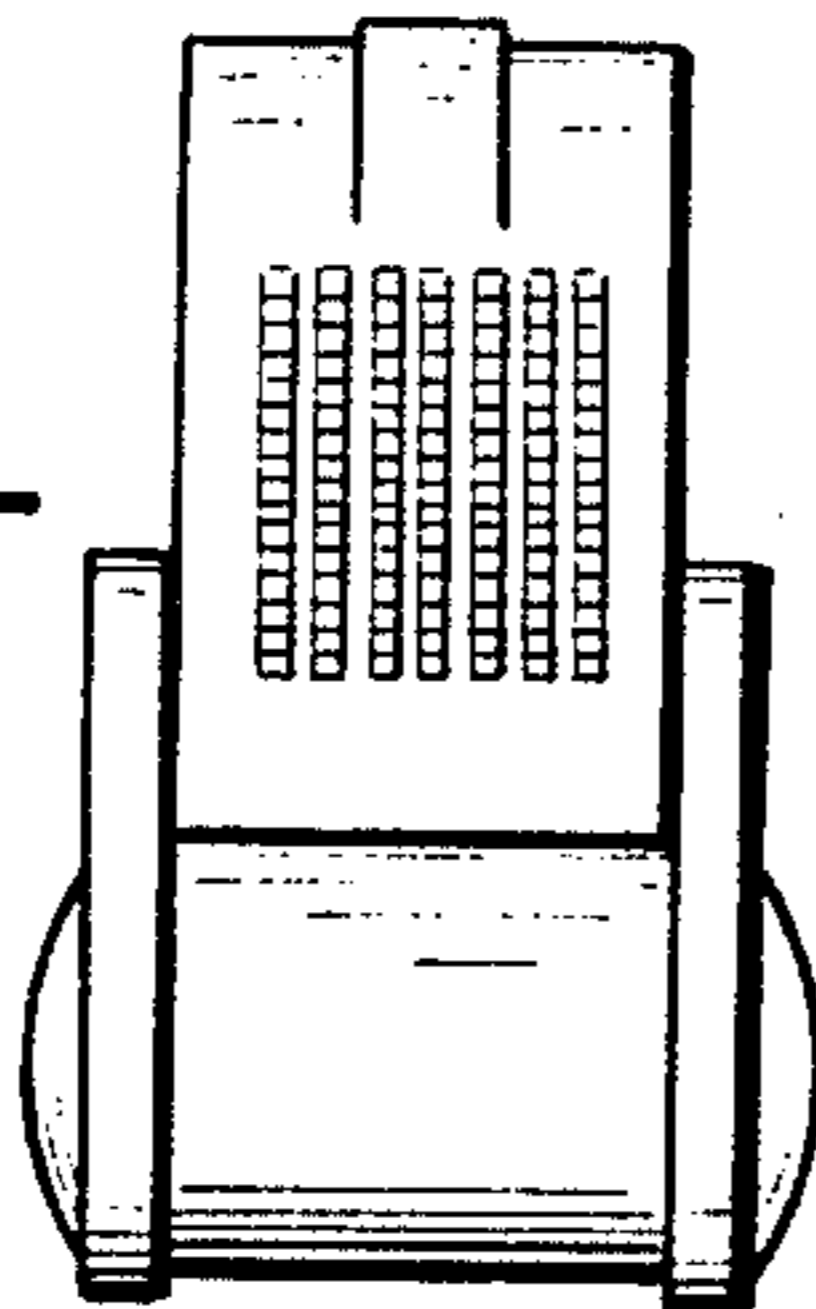


FIG. 3.

FIG. 4.

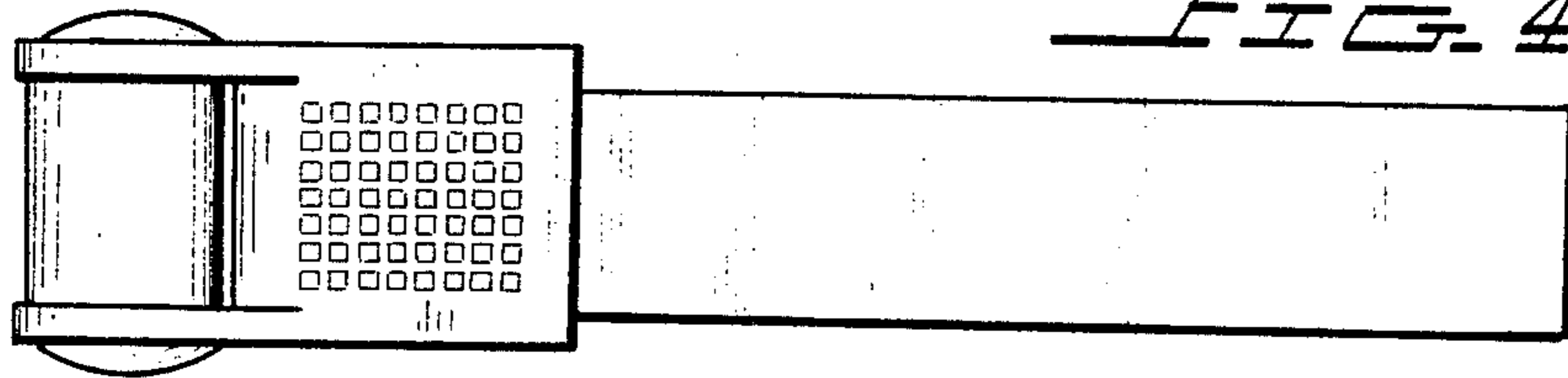


FIG. 5.

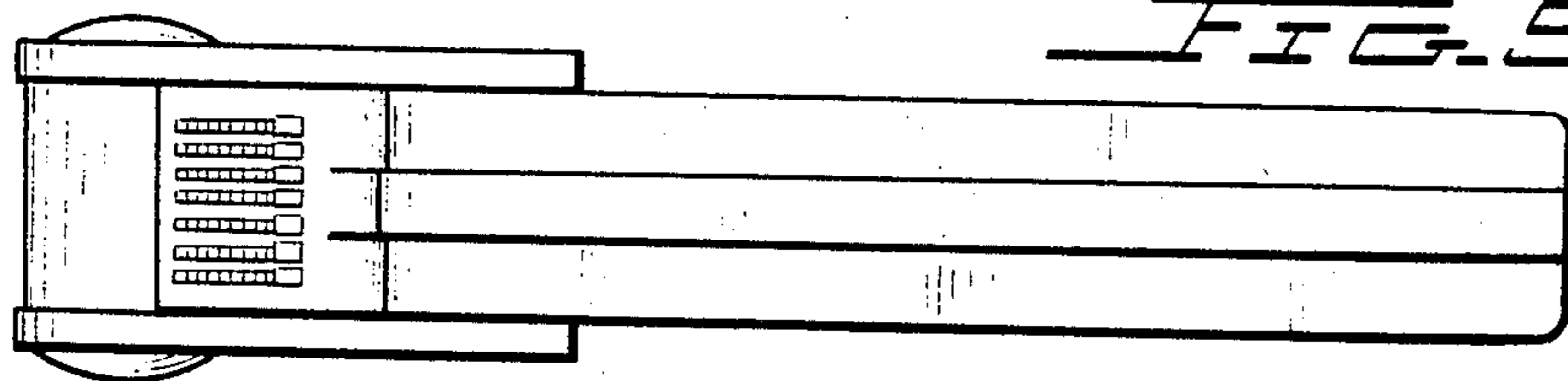


FIG. 6.

