

United States Patent [19]

Ricke

[11] Patent Number: **Des. 279,753**

[45] Date of Patent: **** Jul. 23, 1985**

[54] **DOUGH EMBOSSER**

[75] Inventor: **Roy R. Ricke, Salina, Kans.**

[73] Assignee: **Schwann's Sales Enterprises, Inc.,
Marshall, Minn.**

[**] Term: **14 Years**

[21] Appl. No.: **413,884**

[22] Filed: **Sep. 1, 1982**

[52] U.S. Cl. **D7/74; D4/123;
D7/99; D7/101**

[58] Field of Search **D7/43, 99, 101; 7/111;
29/110.5; 17/27, 28, 29; D4/38.1, 123; 30/306;
D92/29, 30, 31; D25/69, 80, 87, 94; D15/128,
136; D18/15, 18**

[56] **References Cited**

FOREIGN PATENT DOCUMENTS

533708 10/1976 U.S.S.R. **D25/80 X**

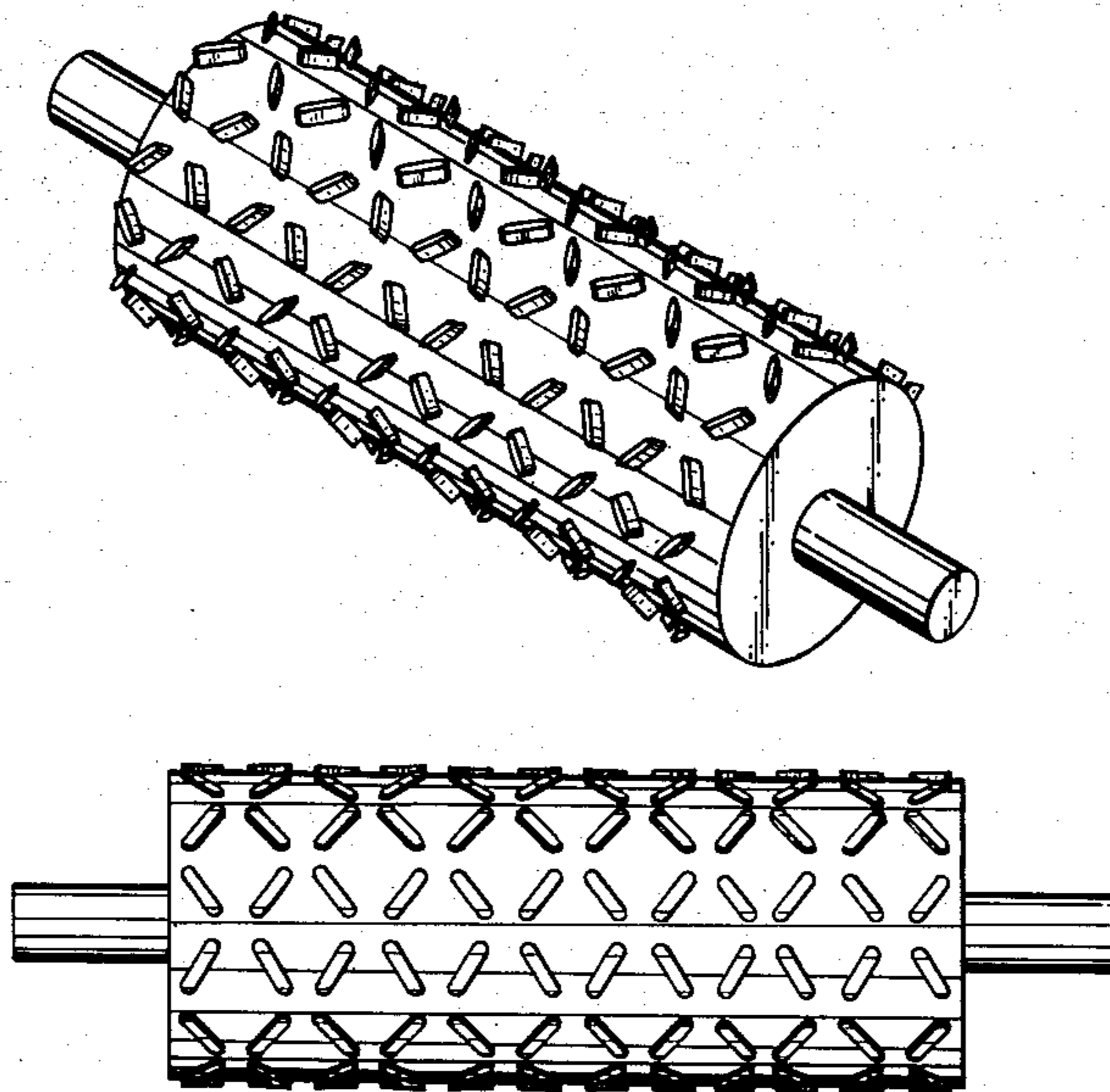
Primary Examiner—Winifred E. Herrmann
Attorney, Agent, or Firm—Merchant, Gould, Smith,
Edell, Welter & Schmidt

[57] **CLAIM**

The ornamental design for a dough embosser, as shown and described.

DESCRIPTION

FIG. 1 is a top and right end perspective view of a dough embosser showing my new design; FIG. 2 is a top plan view thereof, the bottom plan view, back and front views are identical hereto; and FIG. 3 is a left end elevational view thereof.



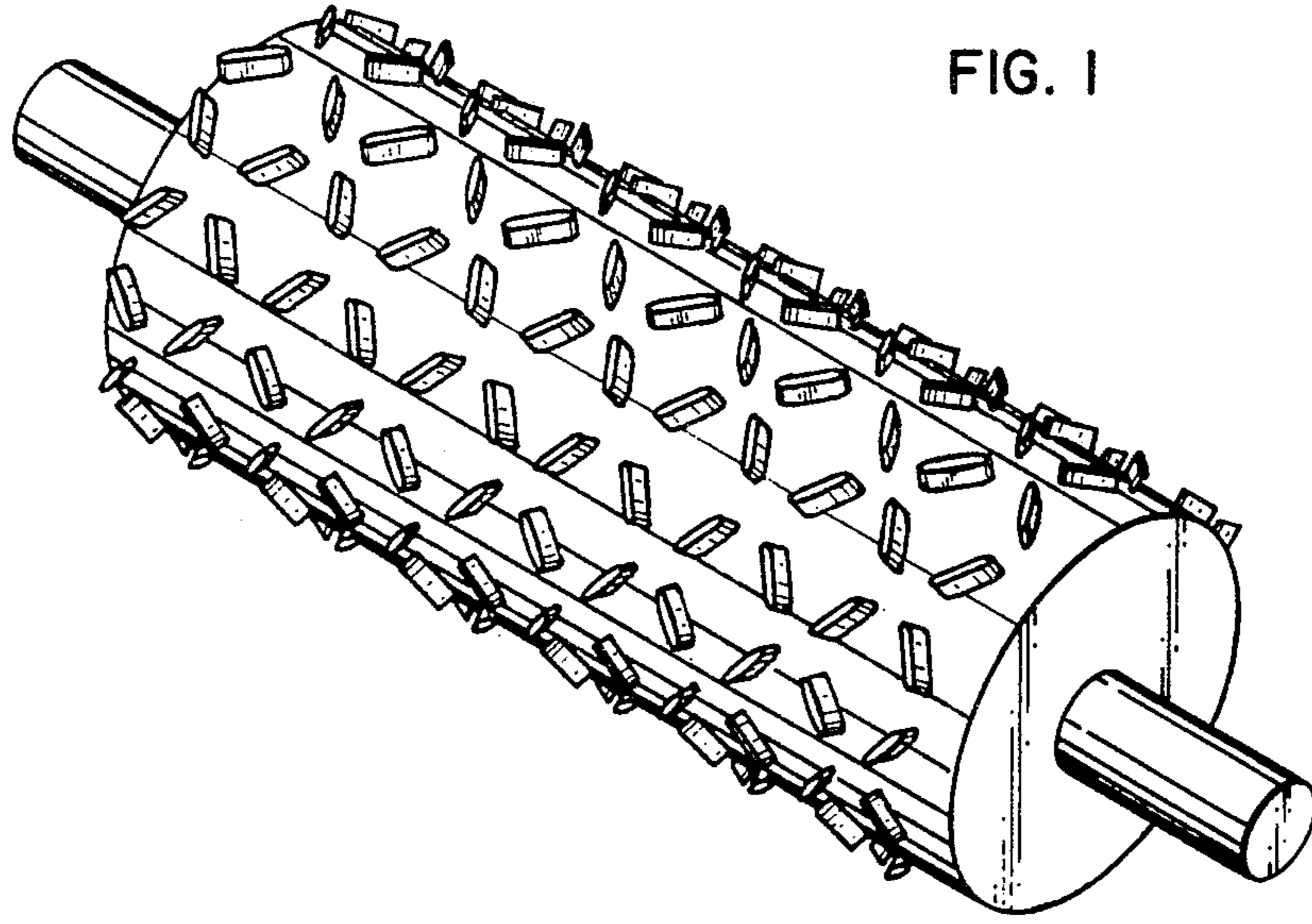


FIG. 1

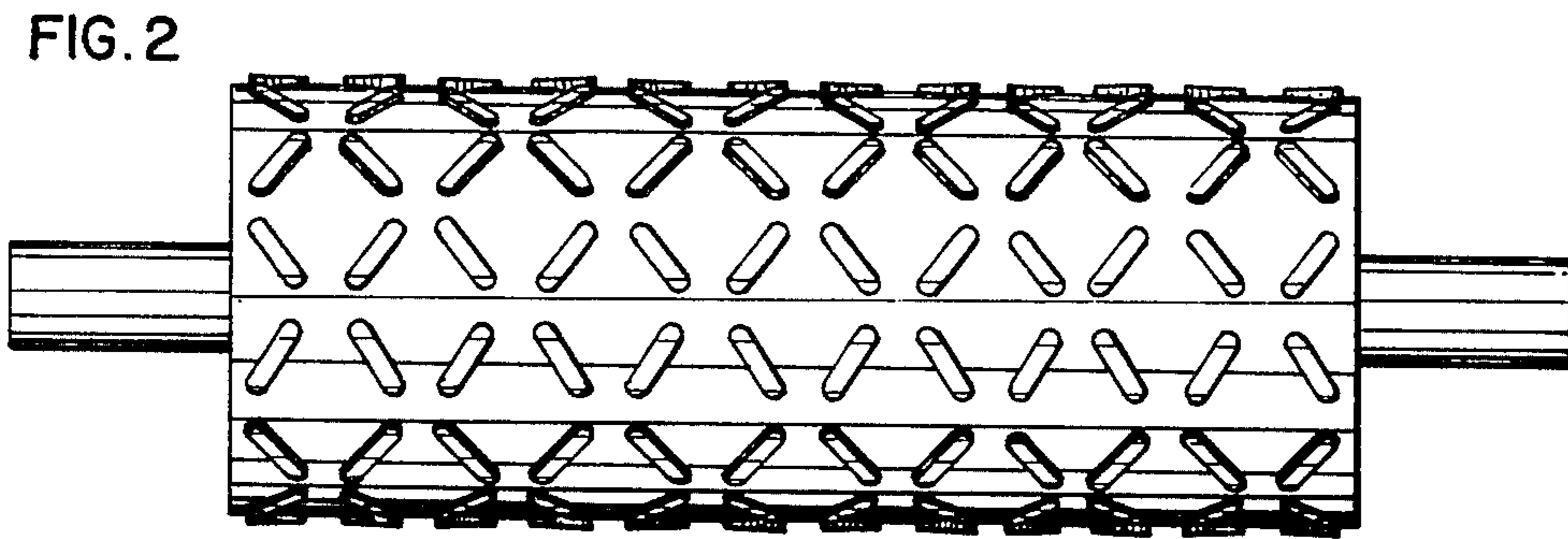


FIG. 2

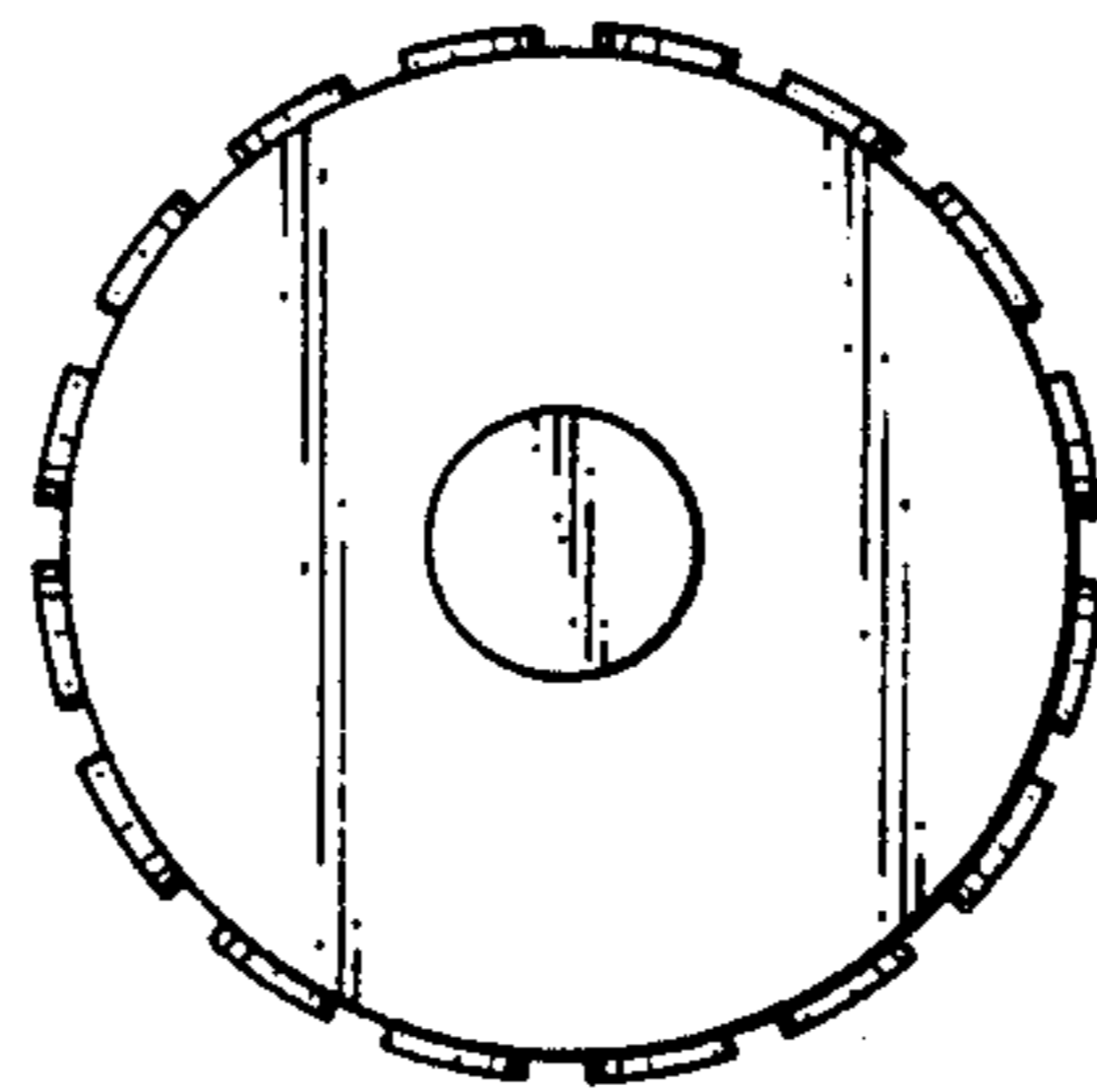


FIG. 3

UNITED STATES PATENT AND TRADEMARK OFFICE
CERTIFICATE OF CORRECTION

PATENT NO. : Des. No. 279,753

DATED : July 23, 1985

INVENTOR(S) : Roy R. Ricke

It is certified that error appears in the above-identified patent and that said Letters Patent are hereby corrected as shown below:

Under "References Cited" add the following:

U.S. PATENT DOCUMENTS

2,618,852	11/1952	Clough	D7/43XR
D 193,548	9/1962	Stickel, Jr.	D92/31XR
1,441,327	1/1923	Blum	D92/29XR
2,753,641	7/1956	Dorman	D4/38.1XR
467,828	1/1892	Petersen	30/306
819,772	5/1906	Latham	29/110.S

Signed and Sealed this

Twenty-sixth Day of May, 1987

Attest:

DONALD J. QUIGG

Attesting Officer

Commissioner of Patents and Trademarks