

[54] DISPLAY BIN

[76] Inventor: Romanino Vona, 4490 Appleby Line, Burlington Ontario, Canada

[*] Notice: The portion of the term of this patent subsequent to Jul. 13, 1996 has been disclaimed.

[**] Term: 14 Years

[21] Appl. No.: 396,956

[22] Filed: Jul. 9, 1982

[30] Foreign Application Priority Data

Mar. 31, 1982 [CA] Canada 31-03-82-15

[52] U.S. Cl. D6/573

[58] Field of Search D6/85, 114, 127, 130, D6/132, 134, 167, 168, 172, 173, 181, 186, 187, 188, 189; 312/114, 117, 123

[56] References Cited

U.S. PATENT DOCUMENTS

D. 265,361 7/1982 Vona D6/130

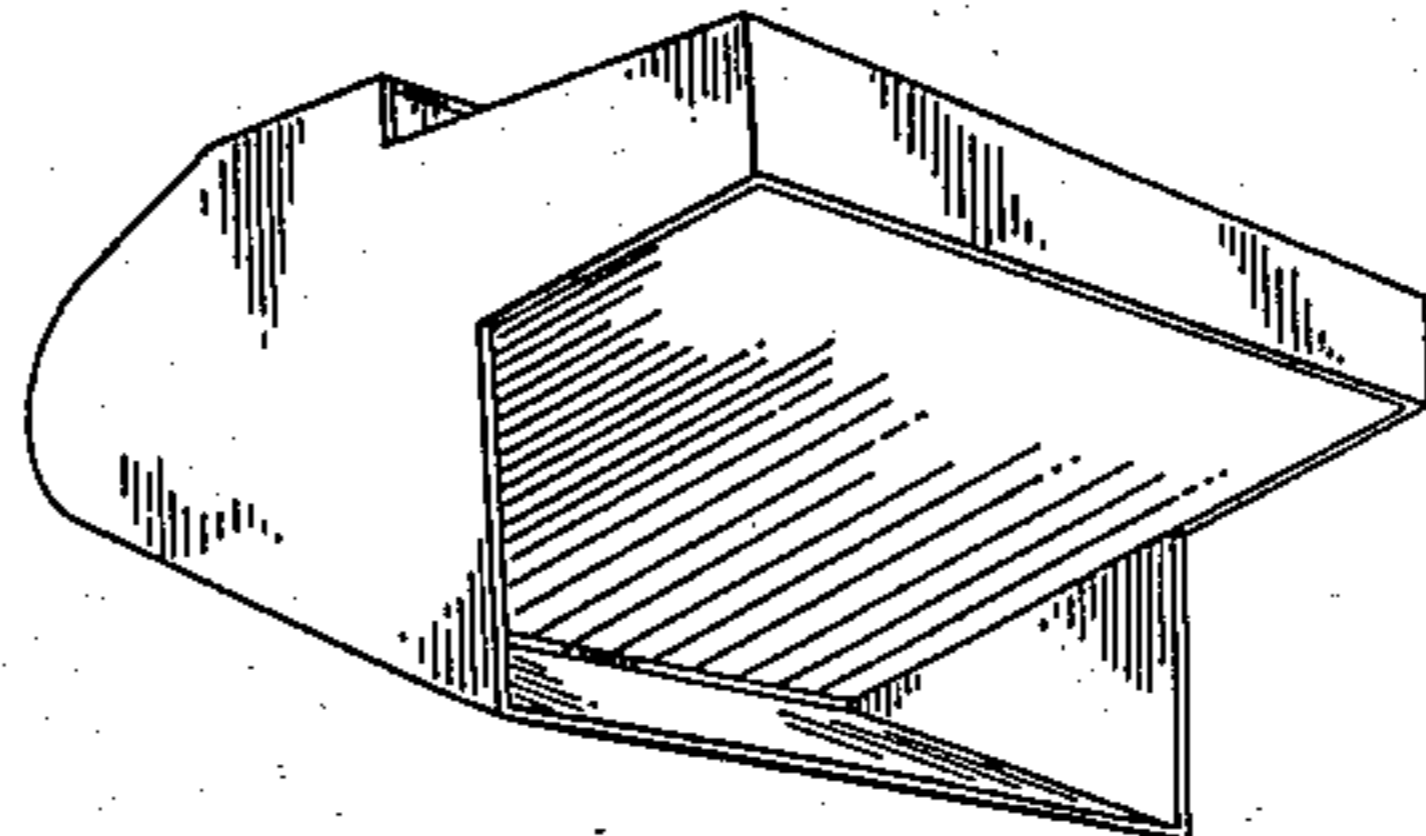
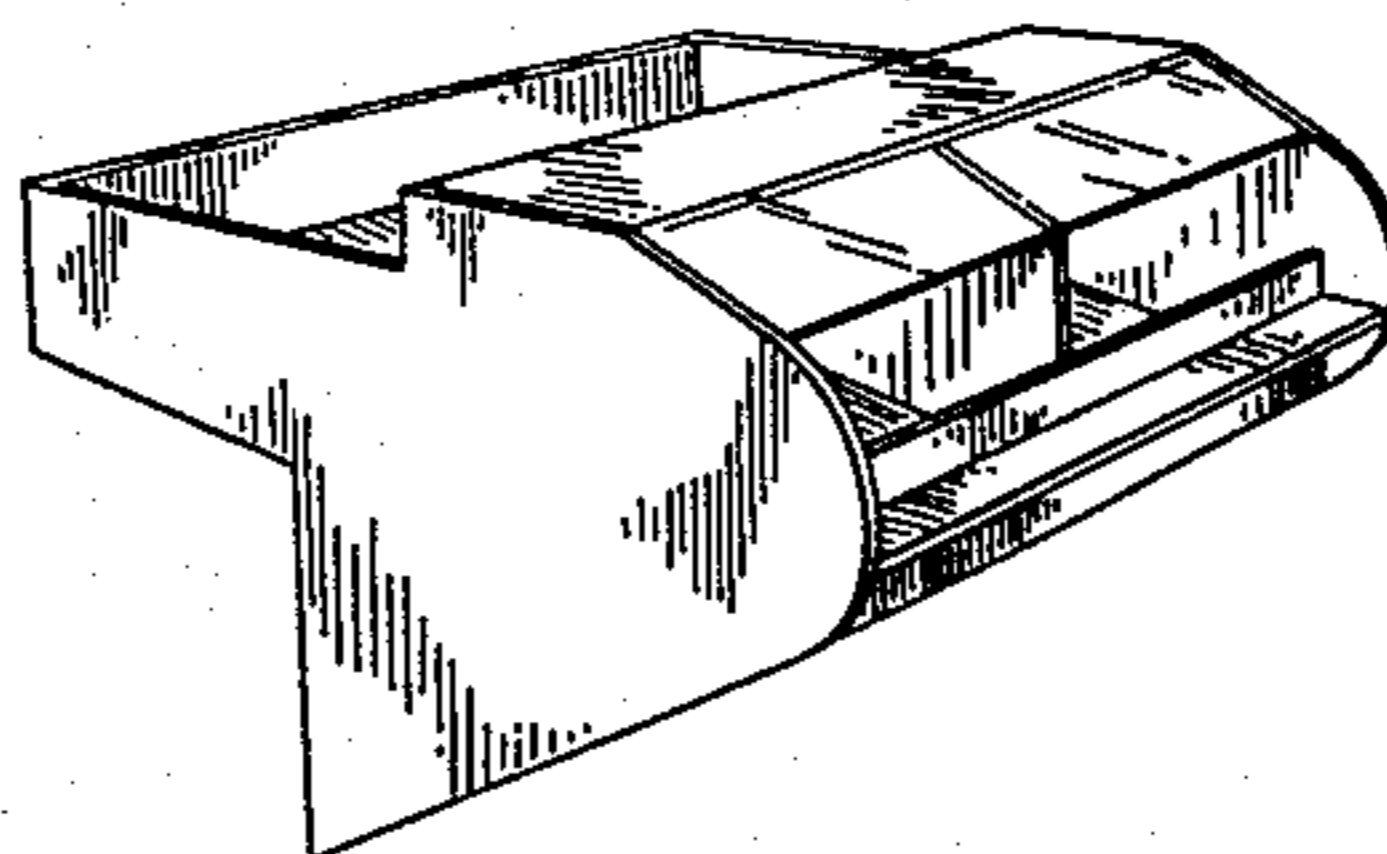
Primary Examiner—Carmen H. Vales
Attorney, Agent, or Firm—Krass & Young

[57] CLAIM

The ornamental design for a display bin, as shown and described.

DESCRIPTION

FIG. 1 is a top perspective view of the display bin, showing my new design;
FIG. 2 is a bottom perspective view thereof;
FIG. 3 is a top perspective view, the broken line showing of a wall being for convenience of illustration; and
FIG. 4 is a bottom perspective view, the broken line showing of a wall being for convenience of illustration.



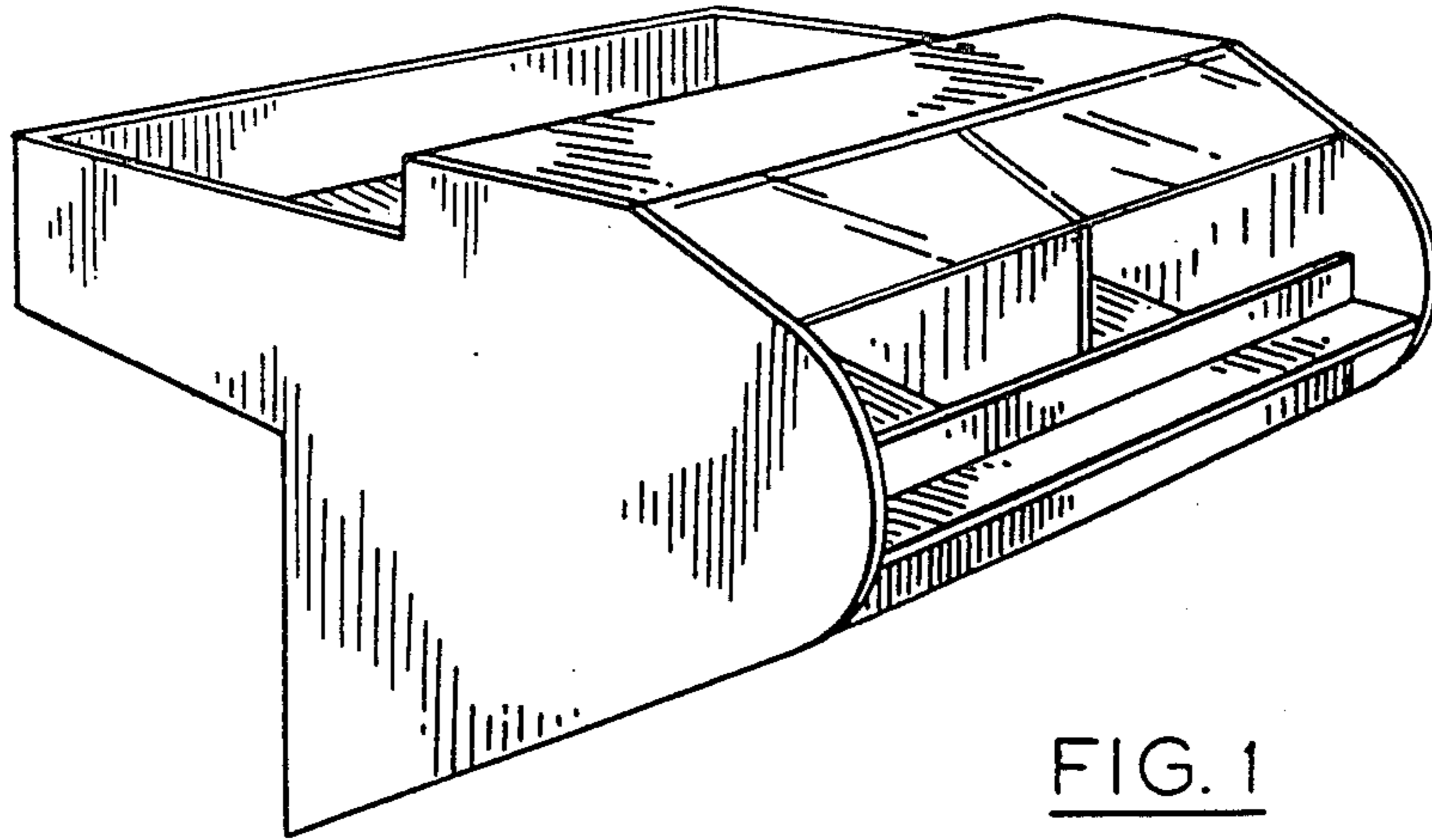
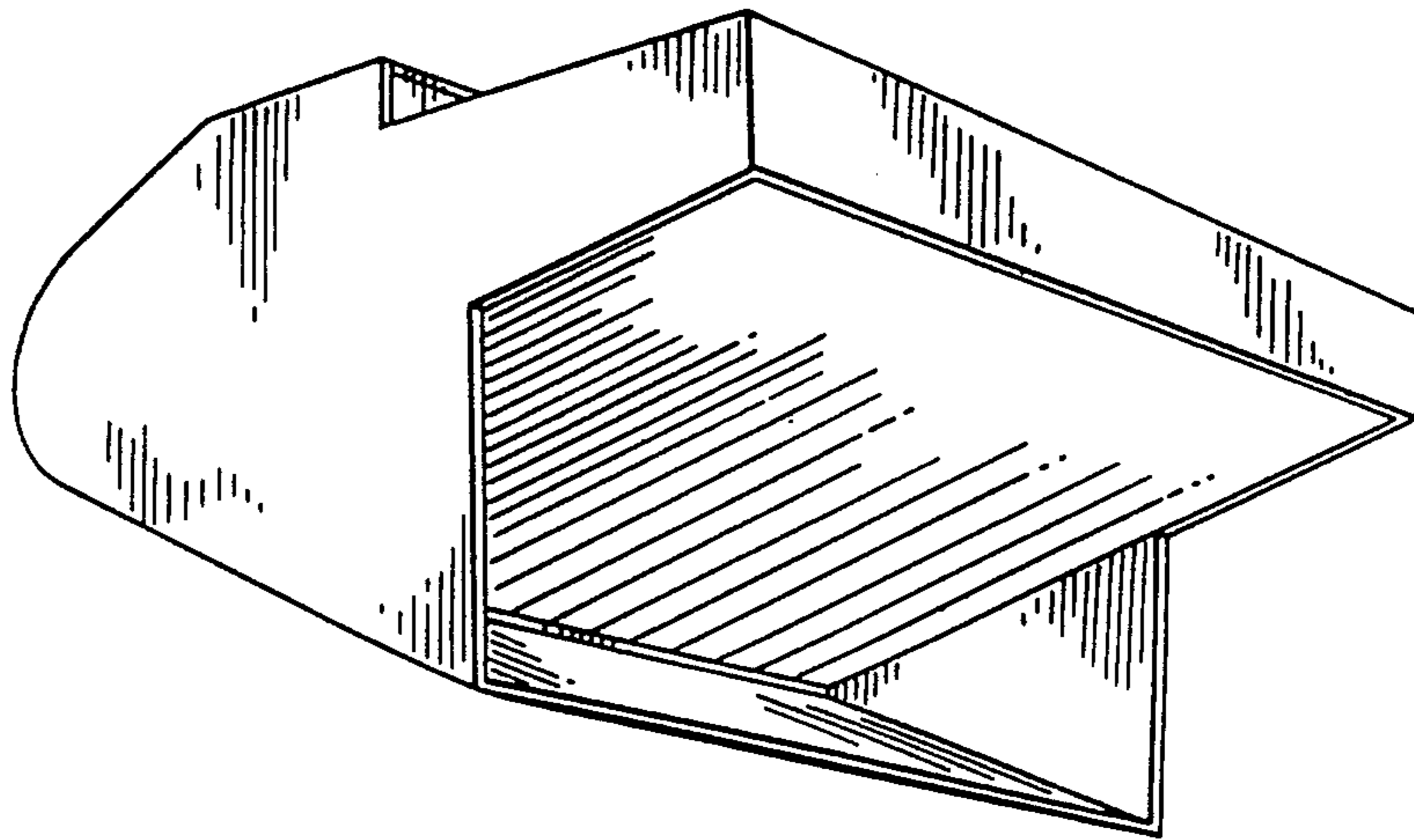


FIG. 1

FIG. 2



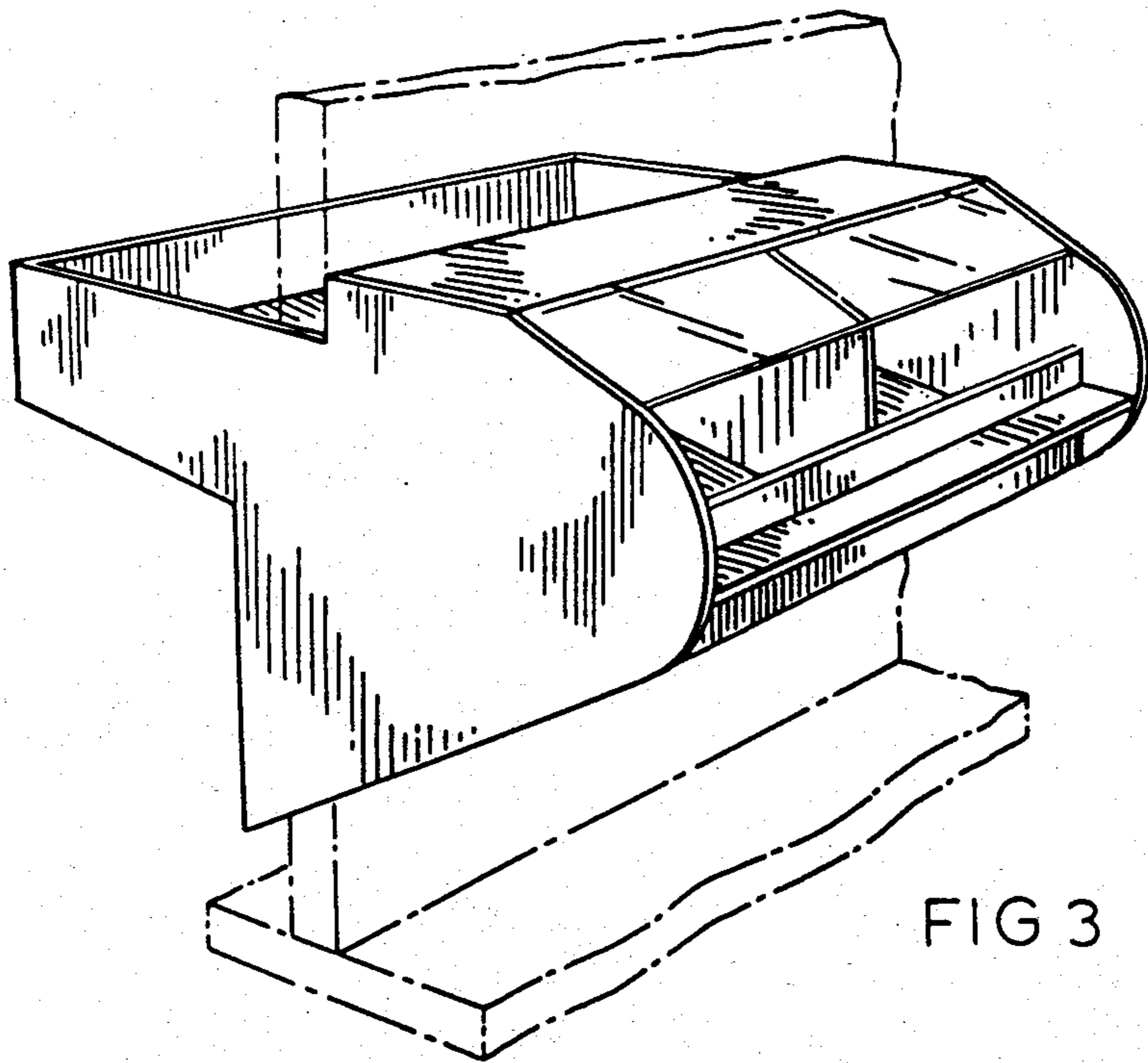


FIG 3

FIG. 4

