

# United States Patent [19]

Kellogg

[11] Patent Number: **Des. 279,745**

[45] Date of Patent: **\*\* Jul. 23, 1985**

[54] **DISPLAY RACK**

[76] Inventor: **Arthur S. Kellogg**, 11706 Ficus St.,  
Palm Beach Gardens, Fla. 33410

[\*\*] Term: **14 Years**

[21] Appl. No.: **494,733**

[22] Filed: **Aug. 5, 1983**

[52] U.S. Cl. .... **D6/517; D6/466;**  
**D6/475; D6/553**

[58] Field of Search ..... **D6/396, 449, 466, 408,**  
**D6/467, 468, 470, 475-476, 478-479, 509-511,**  
**512-515, 517, 553; 108/59, 60, 91, 92, 152;**  
**211/87, 88, 90, 134, 135, 188, 153, 49.1, 59.2,**  
**59.3, 59.4**

[56] **References Cited**

**U.S. PATENT DOCUMENTS**

D. 161,590 1/1951 Pattison, Jr. .... D6/517

D. 250,240 11/1978 Braginetz ..... D6/475  
D. 255,852 7/1980 Fogarty ..... D6/515  
D. 260,955 9/1981 Schuler et al. .... D6/408  
D. 267,382 12/1982 Heinrichsdorff ..... D6/515  
3,626,150 12/1971 Kress ..... 211/59.2

*Primary Examiner*—B. J. Bullock

*Assistant Examiner*—Suzanne N. Gitlin

[57] **CLAIM**

An ornamental design for a display rack, as shown and described.

**DESCRIPTION**

FIG. 1 is a perspective view of a display rack showing my new design;

FIG. 2 is a front elevational view thereof;

FIG. 3 is a sectional view taken in the direction of the arrows along line 3—3 in FIG. 2;

FIG. 4 is a sectional view taken in the direction of the arrows along line 4—4 in FIG. 2.

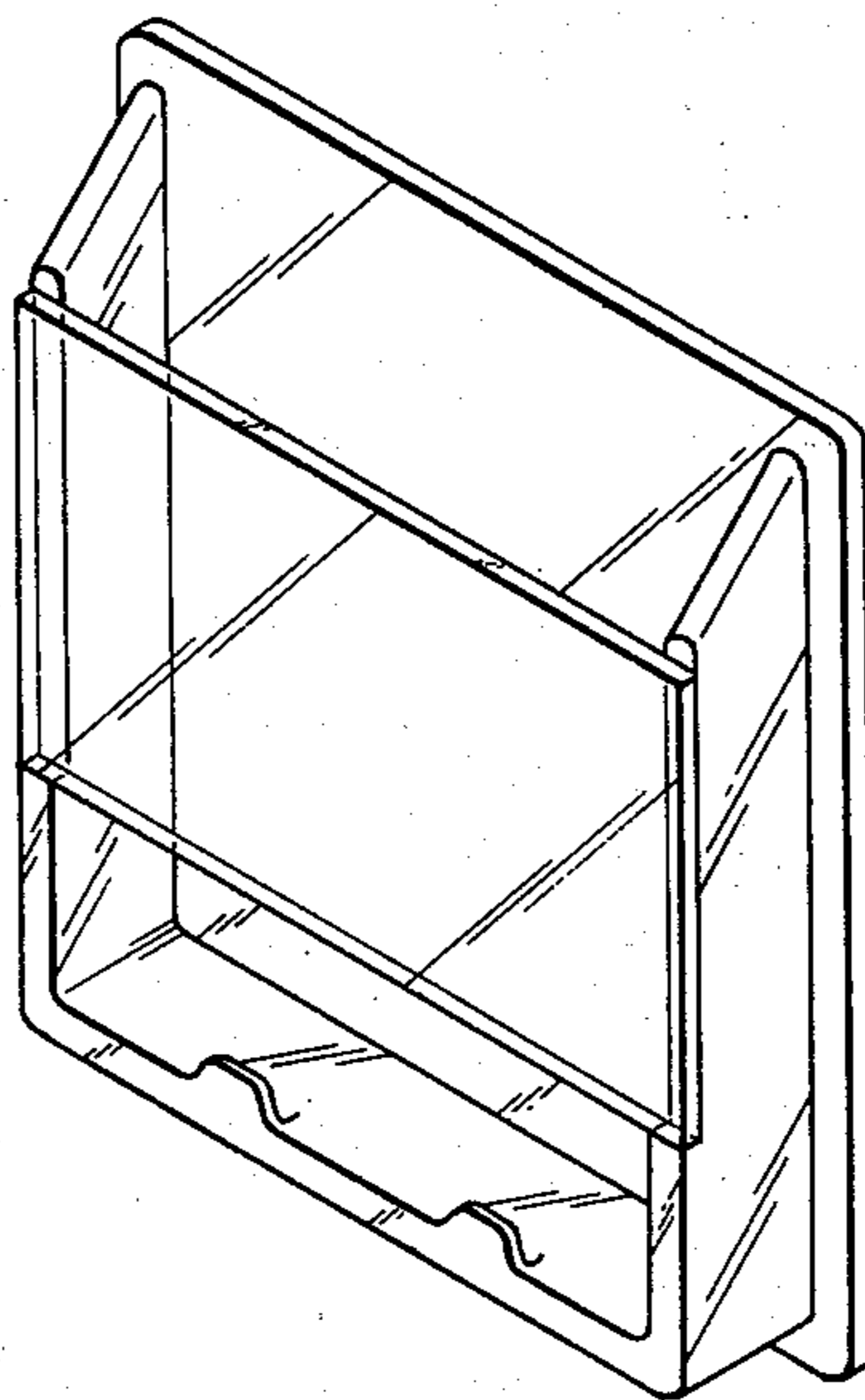


FIG. 1

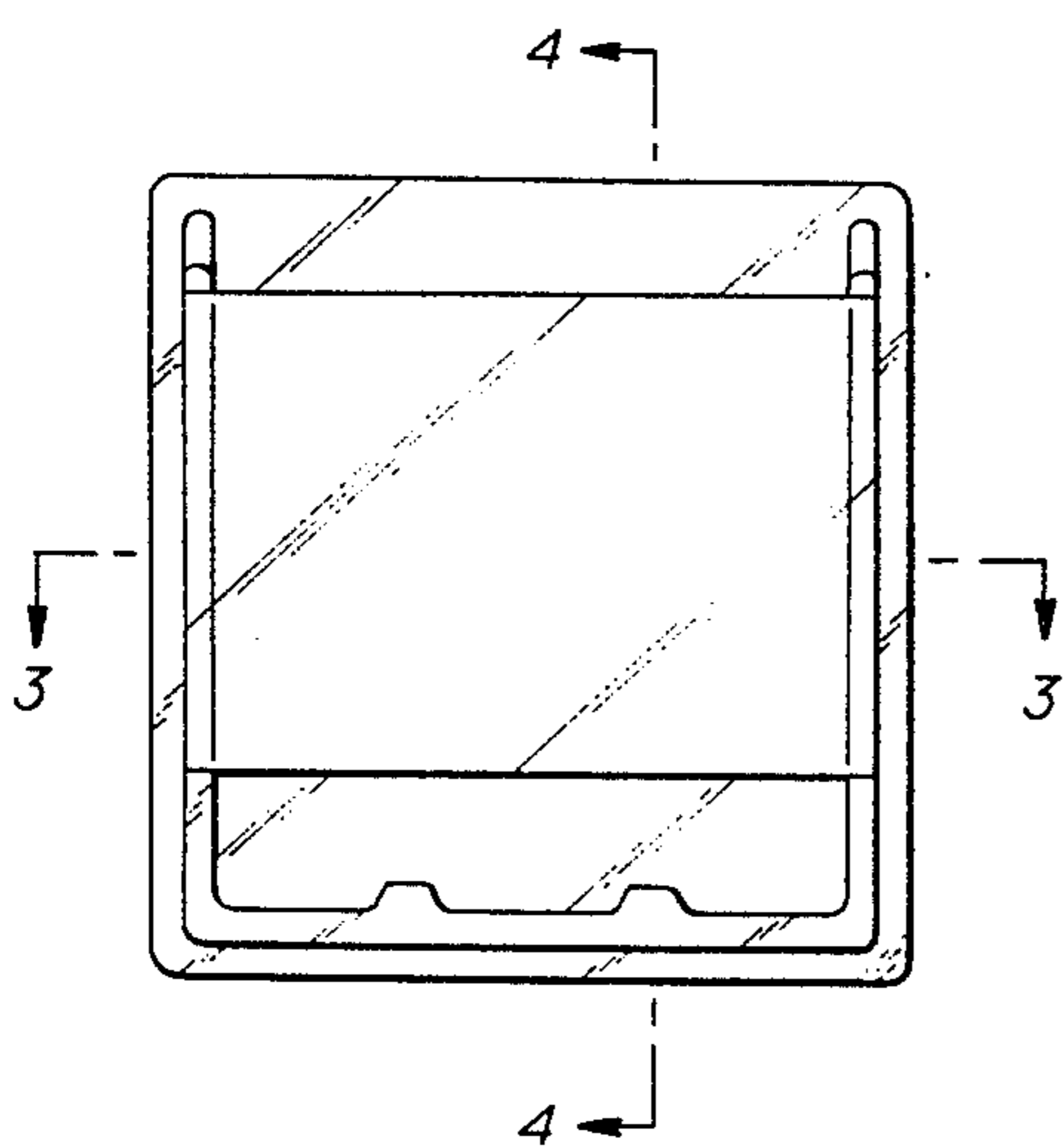
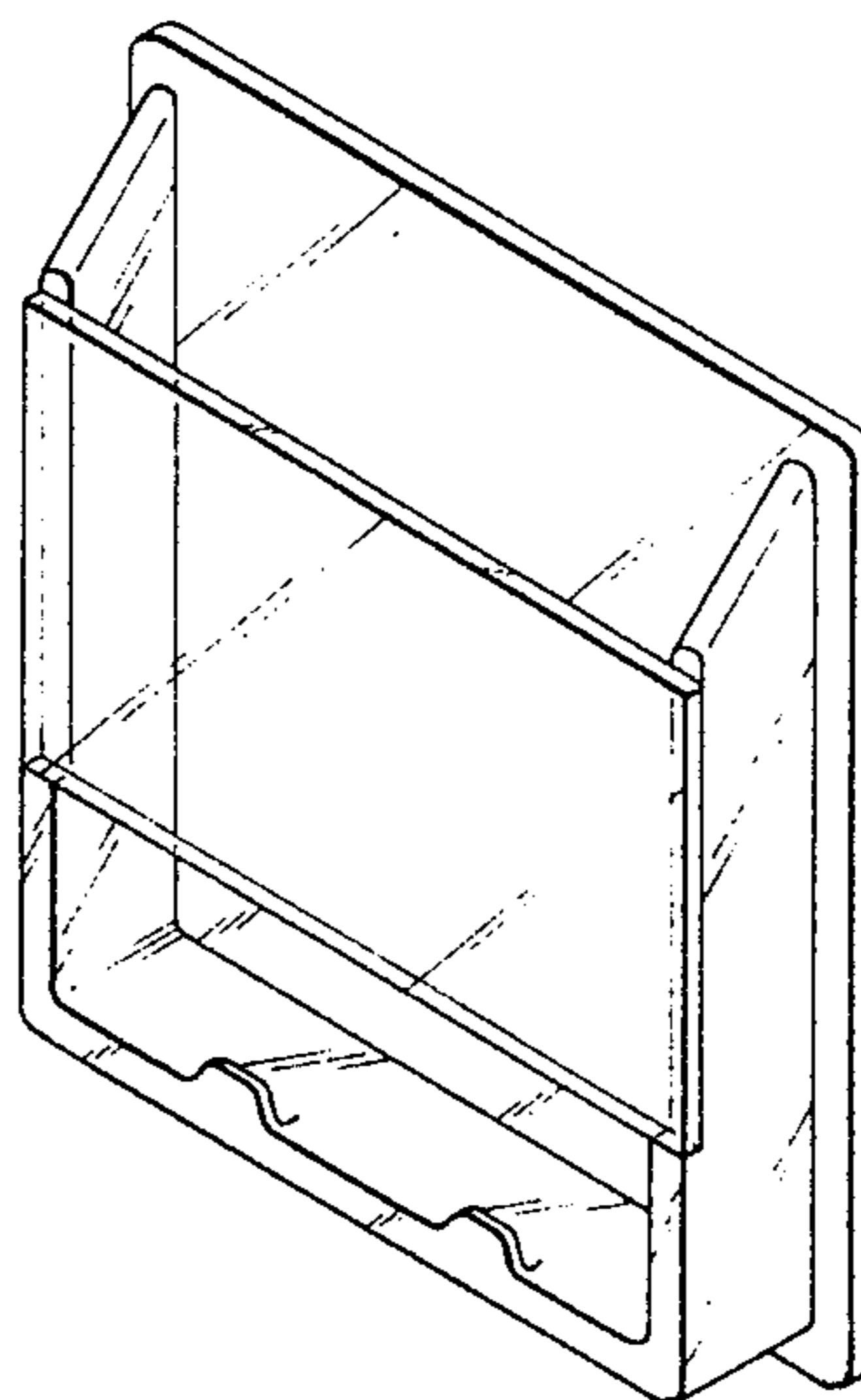


FIG. 2

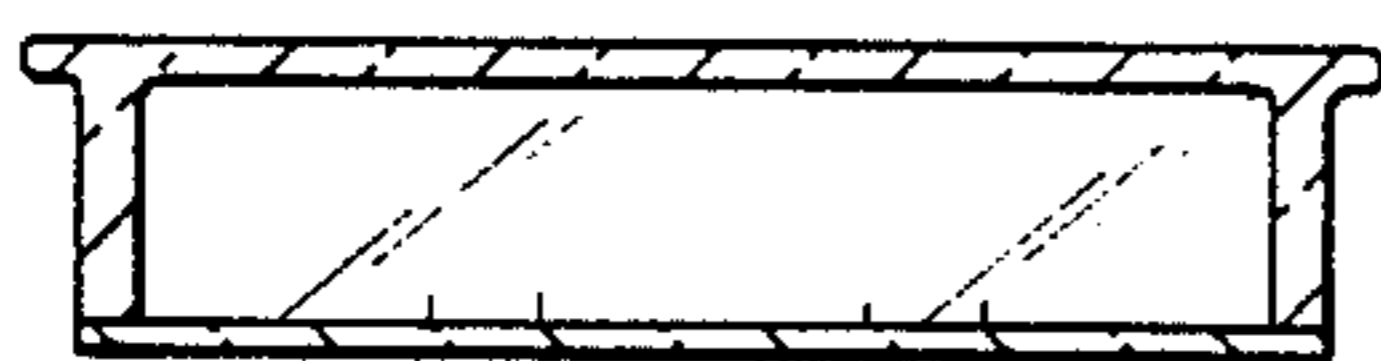


FIG. 3

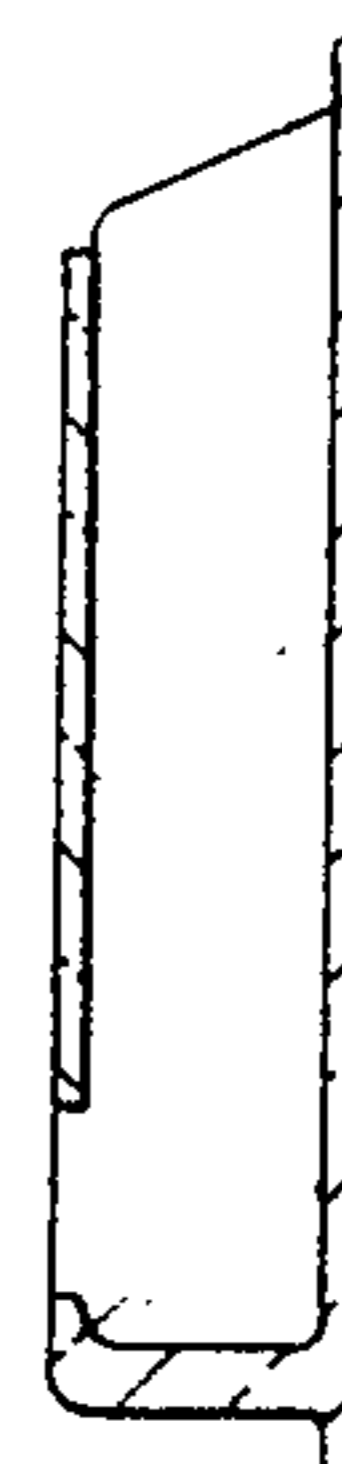


FIG. 4