

[54] **DINING TABLE**

[75] **Inventor: R. Scott Bromley, New York, N.Y.**
[73] **Assignee: Cartier Inc., New York, N.Y.**
[**] **Term: 14 Years**
[21] **Appl. No.: 674,336**
[22] **Filed: Nov. 23, 1984**

Related U.S. Application Data

[62] **Division of Ser. No. 433,353, Oct. 7, 1982.**
[52] **U.S. Cl. D6/480**
[58] **Field of Search D6/414, 471, 473, 474, D6/477, 478, 479, 511, 480, 484, 487**

[56] **References Cited**

U.S. PATENT DOCUMENTS

D. 250,313 11/1978 Miller D6/484
D. 252,431 7/1979 Pfister D6/484
D. 260,713 9/1981 Potucek D6/484
D. 263,192 3/1982 LeVan D6/484 X

D. 268,884 5/1983 Platner D6/484

OTHER PUBLICATIONS

Interiors, Jun. 1973, p. 9, table by Pace.
P. 61, 1981 Cartier Catalog, (Cigarette Lighter).

Primary Examiner—Bruce W. Dunkins
Attorney, Agent, or Firm—Philip H. Gottfried

[57] **CLAIM**

The ornamental design for a dining table, substantially as shown and described.

DESCRIPTION

FIG. 1 is a top plan view of a dining table showing my new design;

FIG. 2 is a front elevational view thereof;

FIG. 3 is a right side elevational view thereof; and,

FIG. 4 is a bottom plan view thereof.

The left side elevational view is substantially identical to the right side elevational view of FIG. 3; and, the rear elevational view is substantially identical to the front elevational view of FIG. 2.

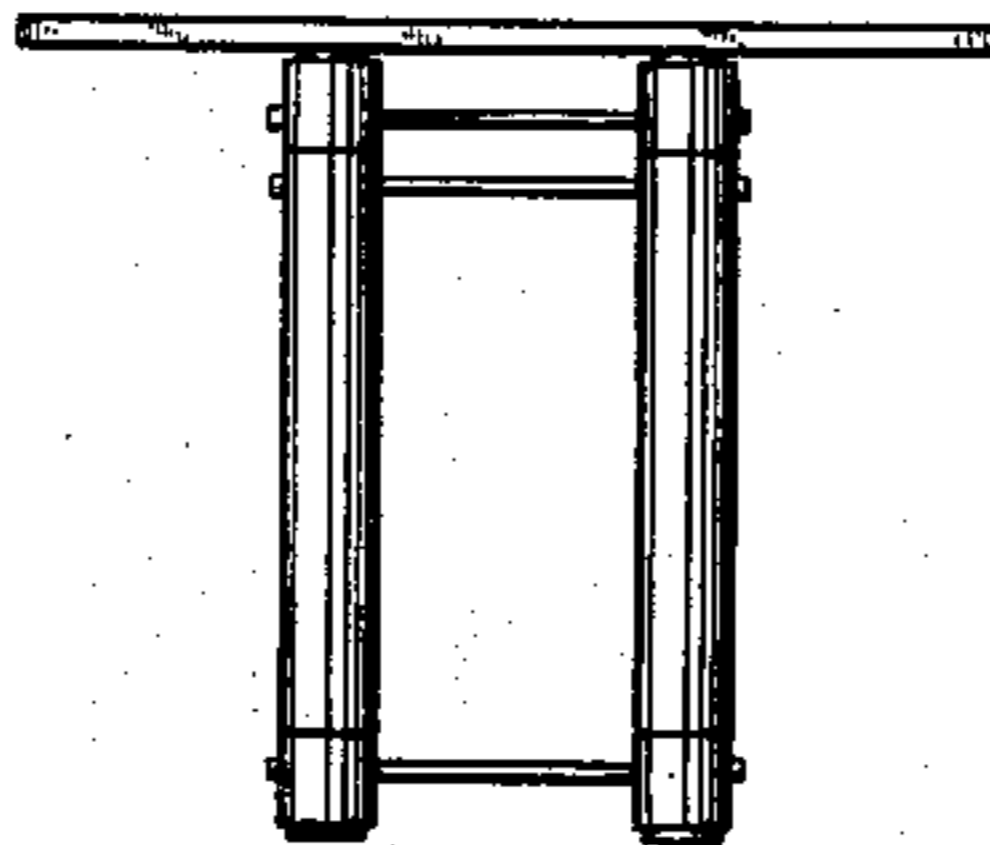
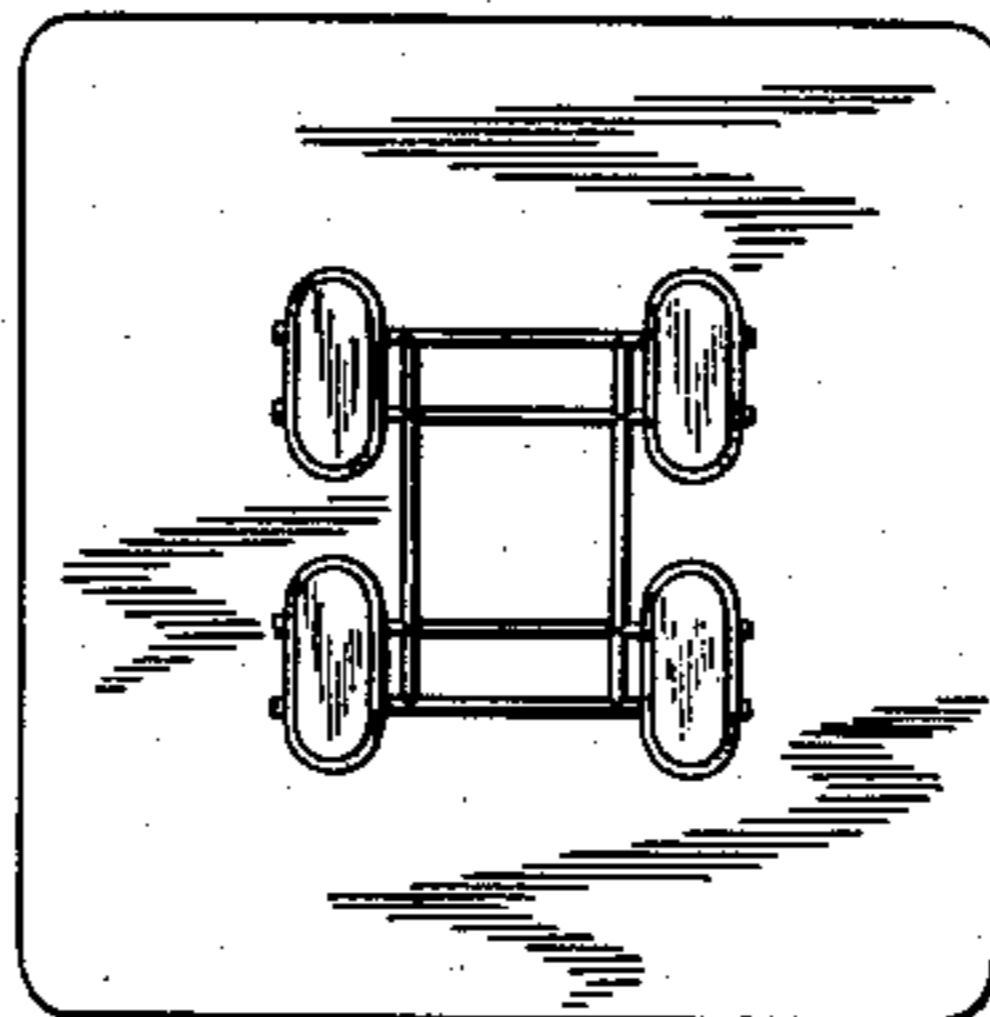


FIG. 4

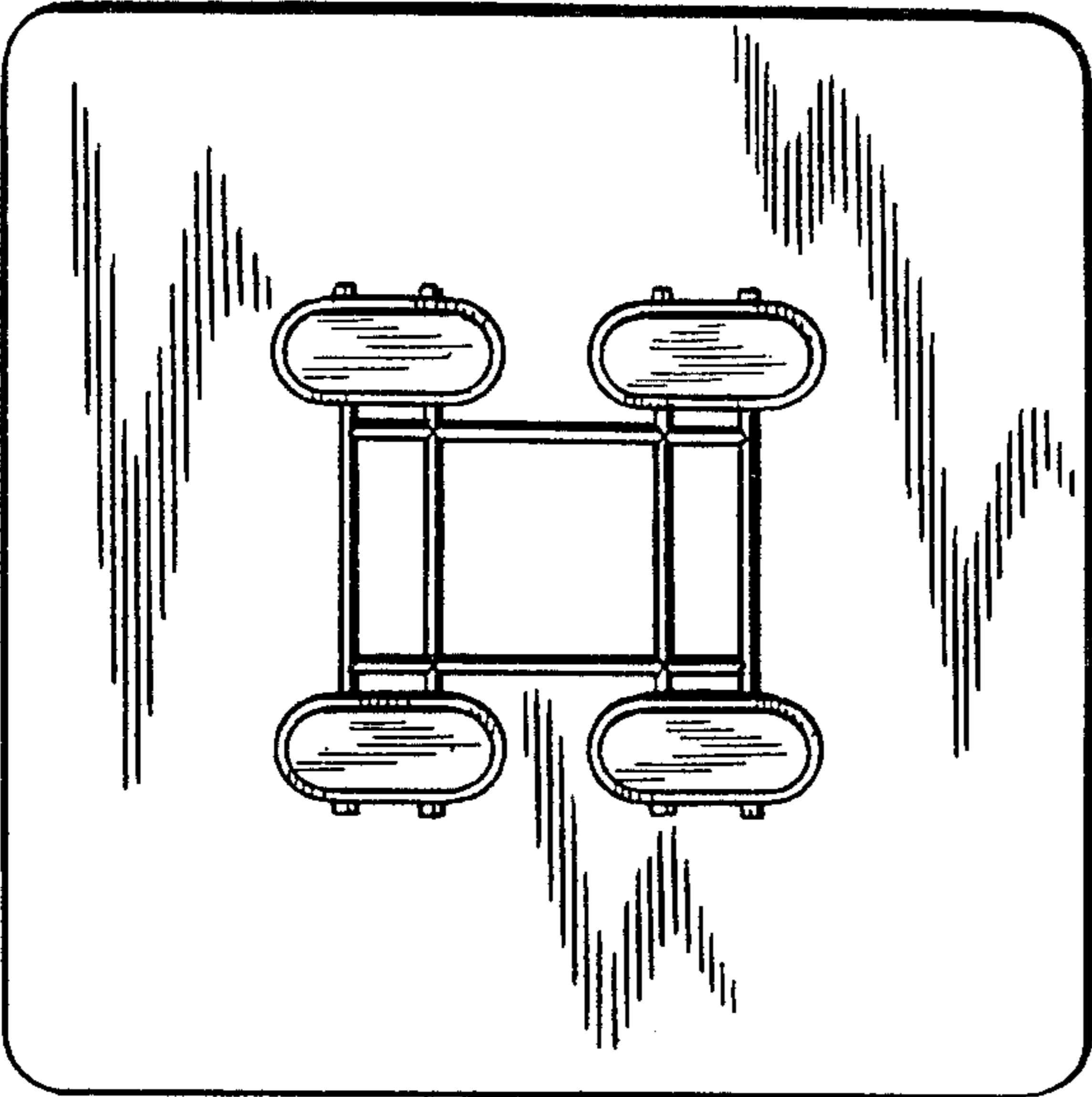


FIG. 1

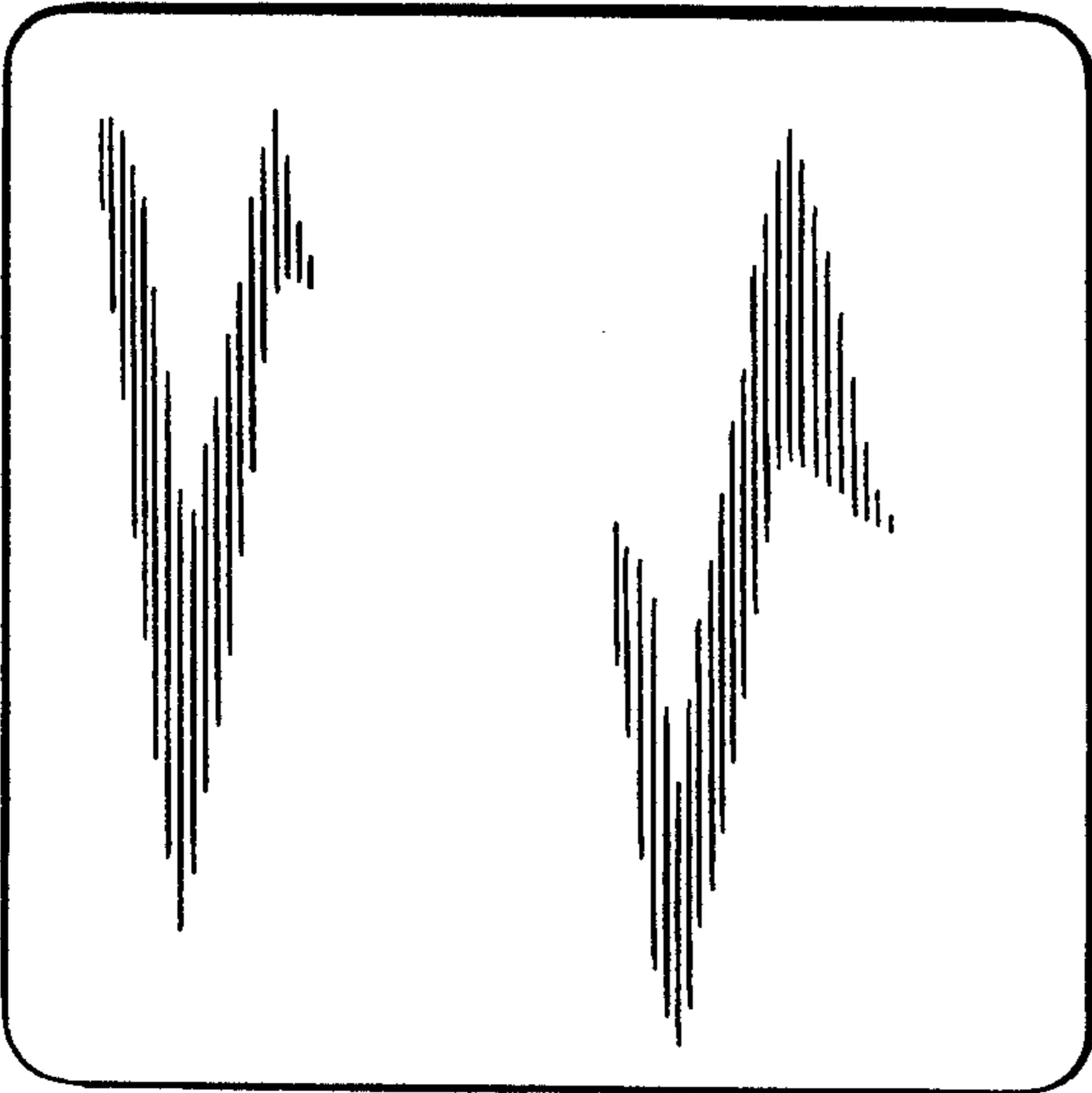


FIG. 2

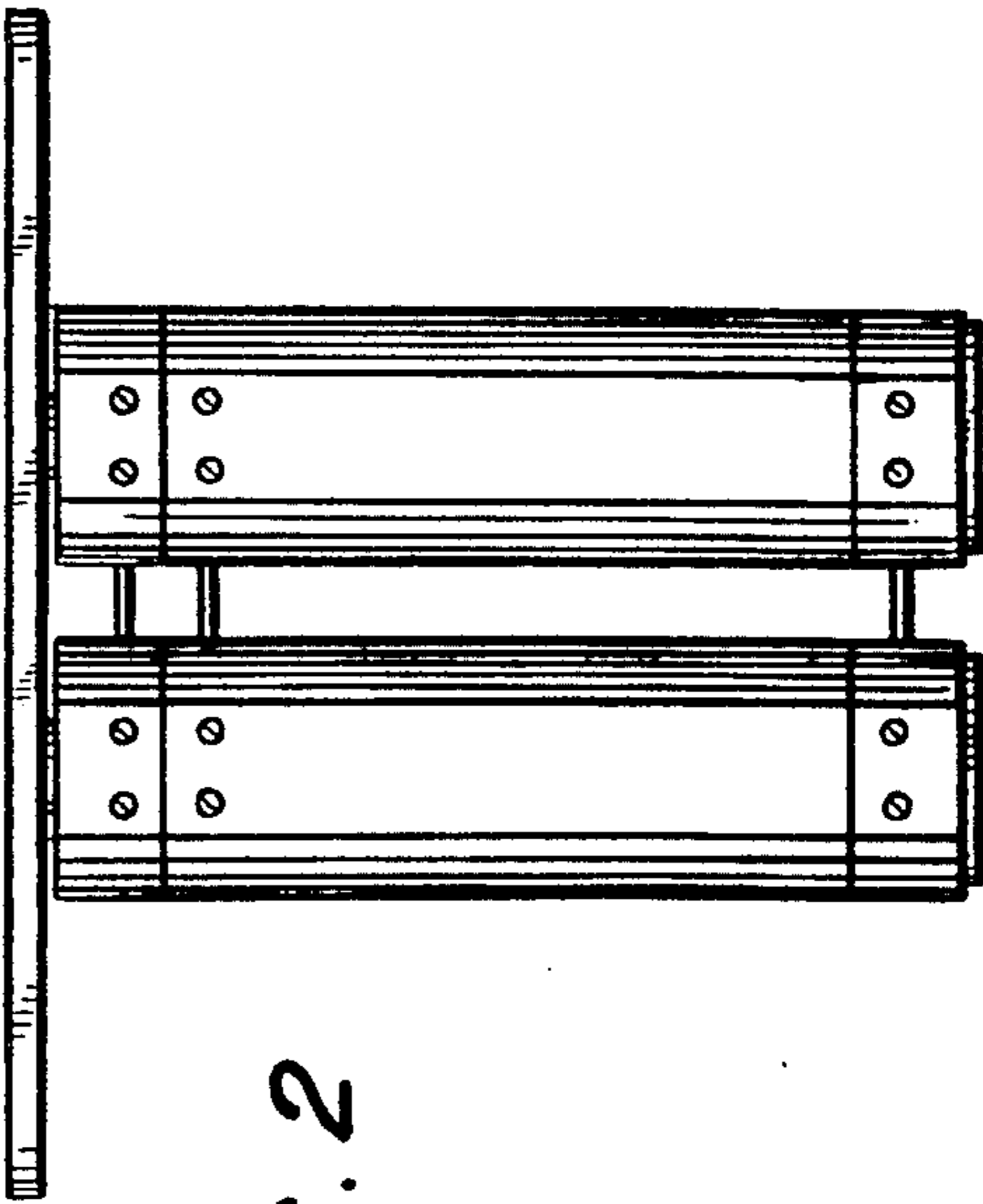


FIG. 3

