

[54] COMPUTER DESK

DESCRIPTION

[76] Inventor: Thomas E. Slager, 23439 Lakeview, Edwardsburg, Mich. 49112

[\*\*] Term: 14 Years

[21] Appl. No.: 464,775

[22] Filed: Feb. 7, 1983

[52] U.S. Cl. .... D6/478; D6/426; D6/427; D6/430; D6/487

[58] Field of Search ..... D6/449, 454, 460, 461, D6/463, 464, 465, 480, 484, 487; 211/150

[56] References Cited

U.S. PATENT DOCUMENTS

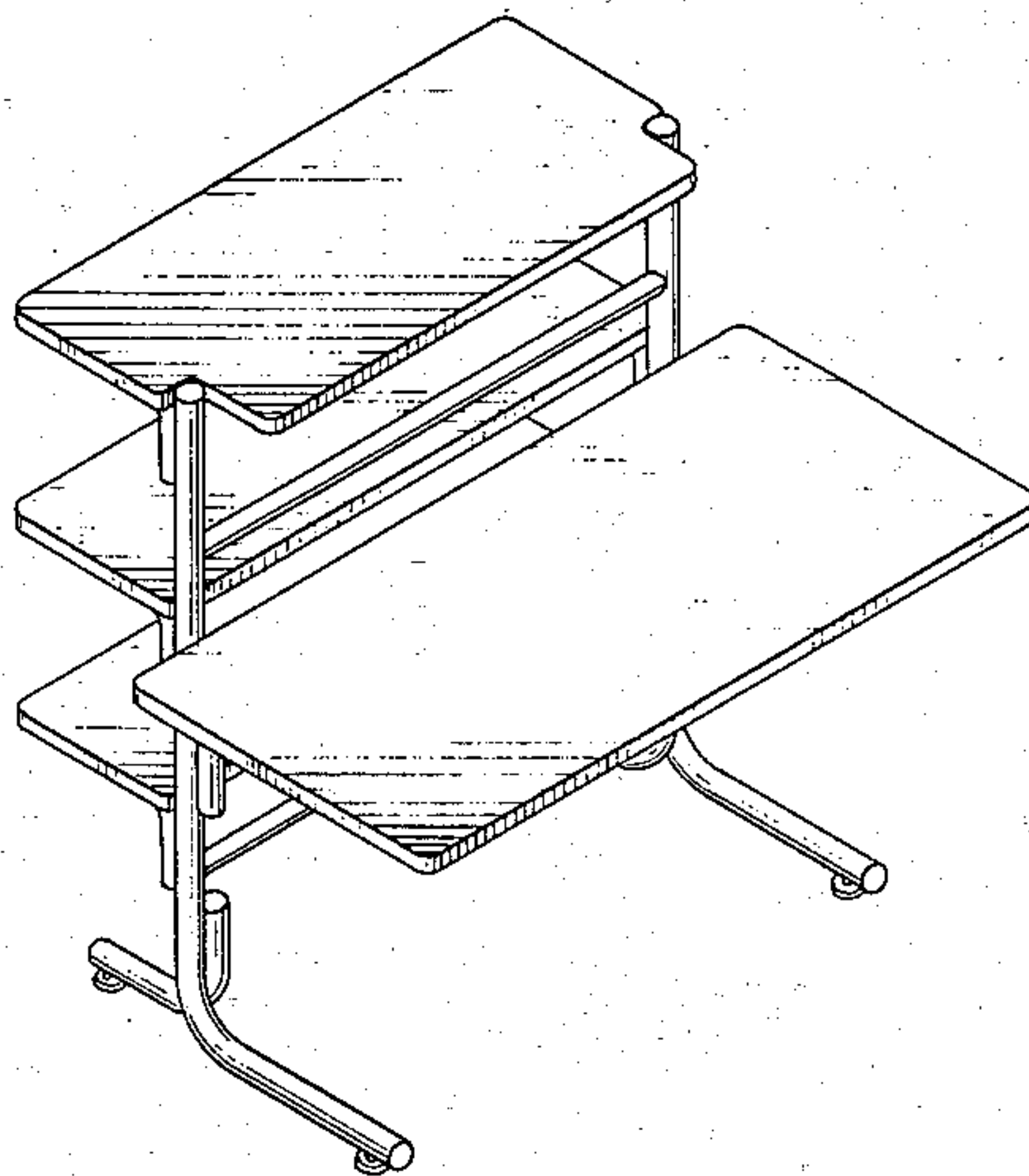
D. 108,321	2/1938	Erickson	.....	D6/429
D. 115,103	6/1939	Erickson	.....	D6/474 X
D. 116,797	9/1939	Erickson	.....	D6/474 X
2,848,119	8/1958	Fitser	.....	D6/474 X
2,975,909	3/1961	Foster	.....	D6/474 X

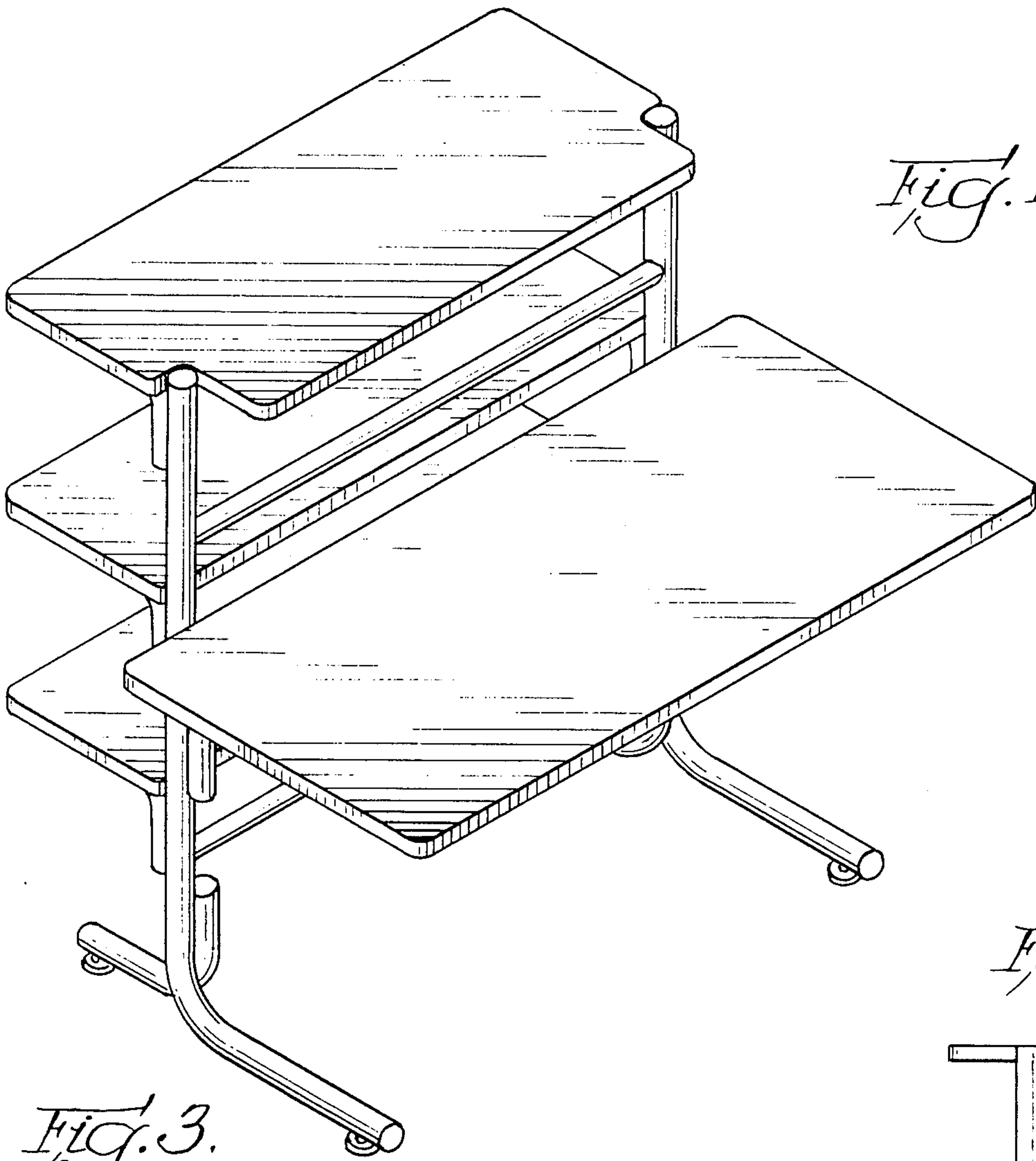
Primary Examiner—Bruce W. Dunkins  
Attorney, Agent, or Firm—Gordon W. Hueschen

[57] CLAIM

The ornamental design for a computer desk, substantially as shown and described.

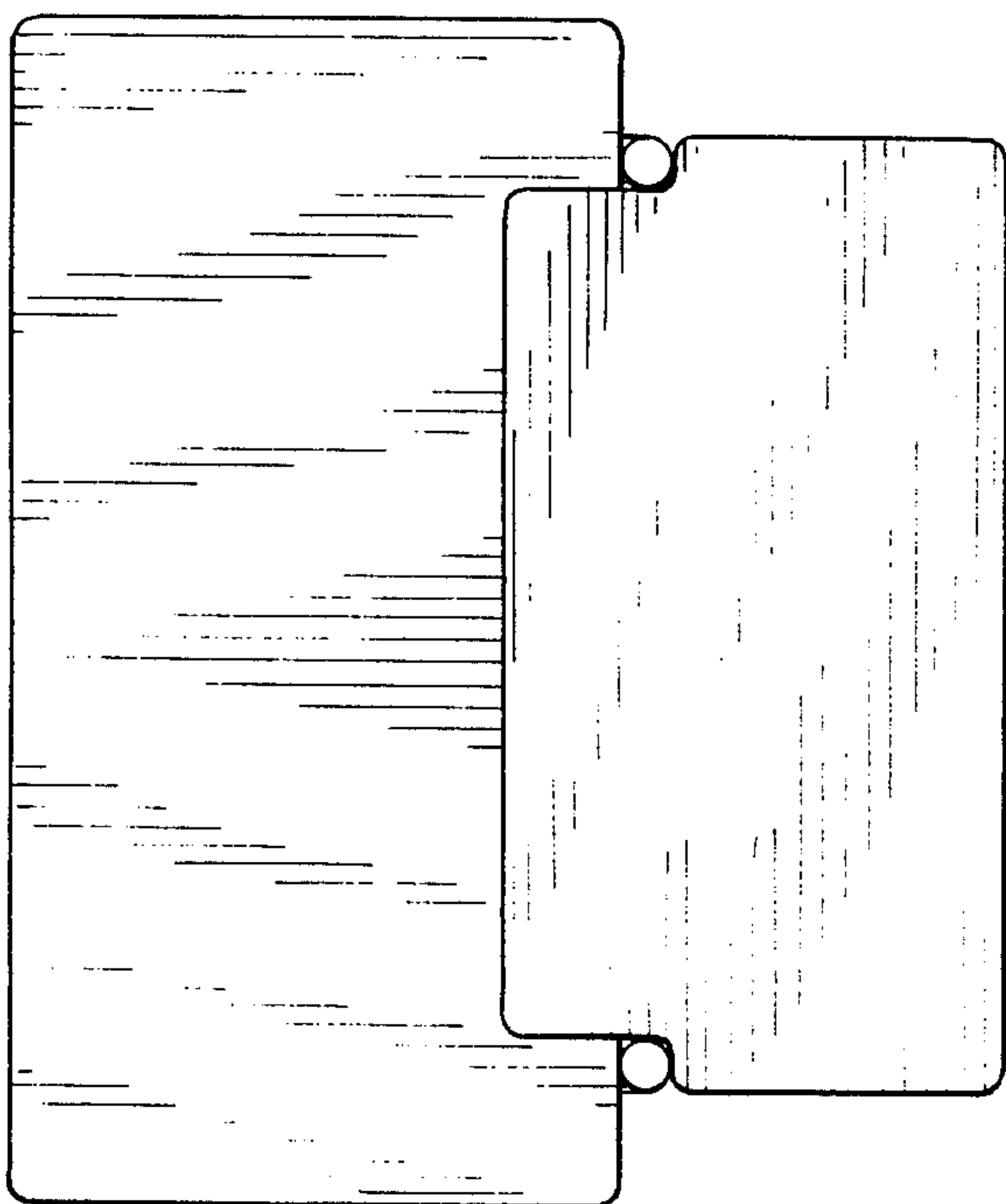
FIG. 1 is a perspective view showing the top, front, and one side of a computer desk embodying my new design, FIG. 2 is a side view showing the other side of the desk, FIG. 3 is a top view of the desk, FIG. 4 is a back view of the desk, and FIG. 5 is a bottom view of the desk, FIG. 6 is a perspective view showing the top, front, and one side of another embodiment of my new design design, FIG. 7 is a side view showing the other side of the desk, FIG. 8 is a top view of the desk, FIG. 9 is a back view of the desk, and FIG. 10 is a bottom view of the desk, FIG. 11 is a perspective view showing the top, front, and one side of a computer desk showing a further embodiment of my new design, FIG. 12 is a side view showing the other side of the desk, and FIG. 13 is a top view of the desk, FIG. 14 is a perspective view showing the top, front, and one side of another embodiment of my computer desk design, and FIG. 15 is a side view of the other side thereof, FIG. 16 is a perspective view showing the top, front, and one side of another embodiment of my computer desk design, and FIG. 17 is a side view of the other side thereof.



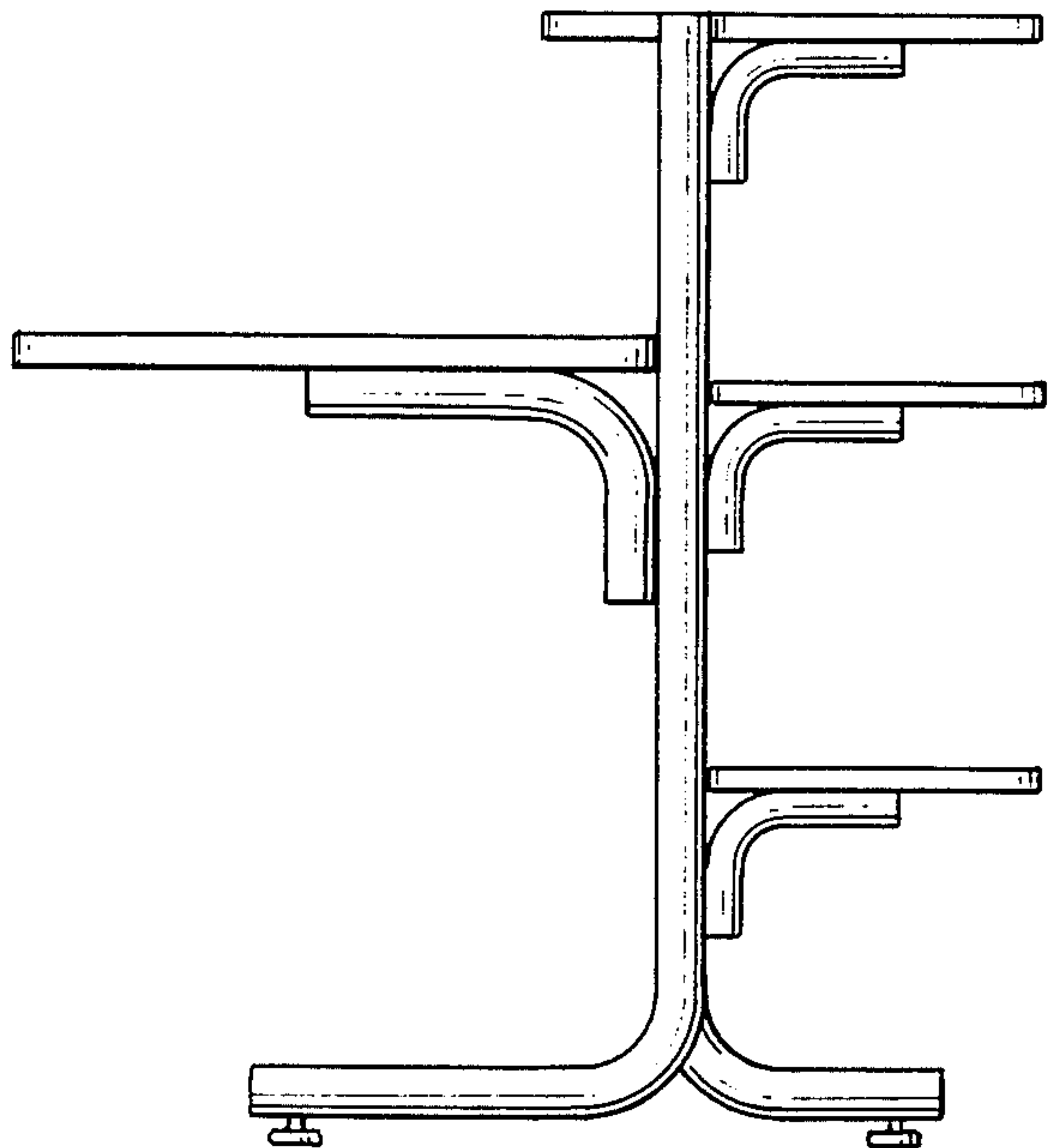


*Fig. 1.*

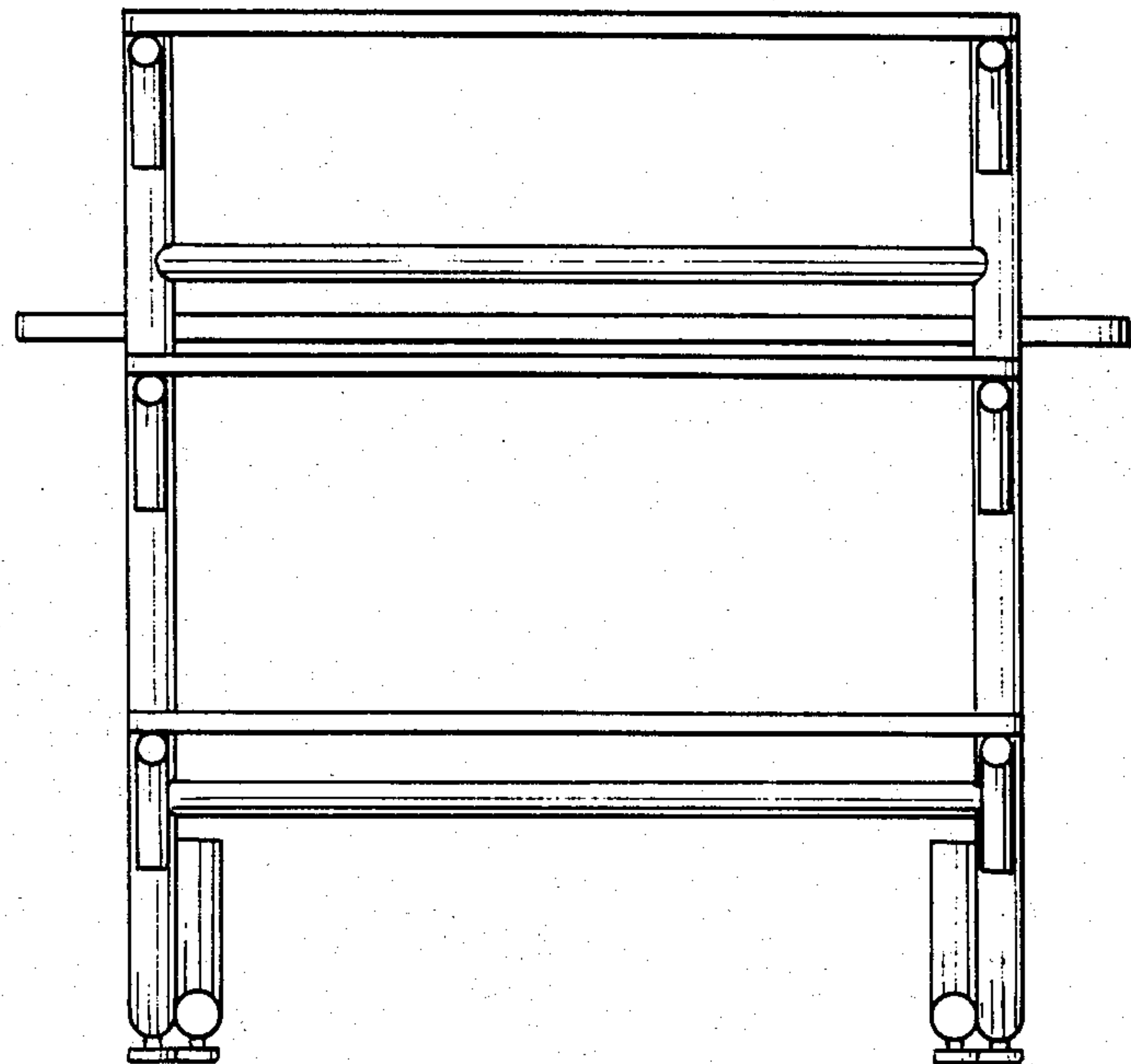
*Fig. 3.*



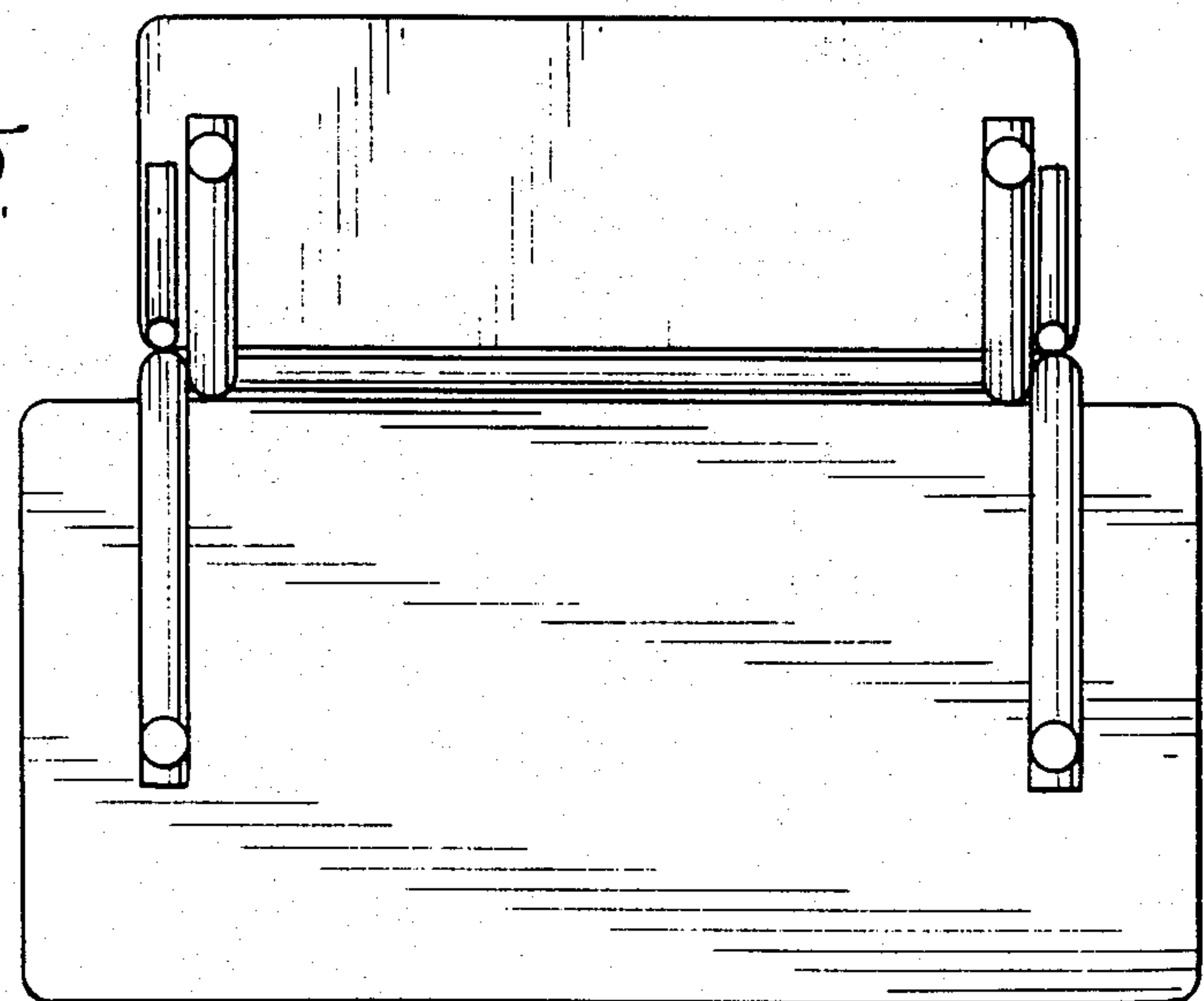
*Fig. 2.*



*Fig. 4.*



*Fig. 5.*



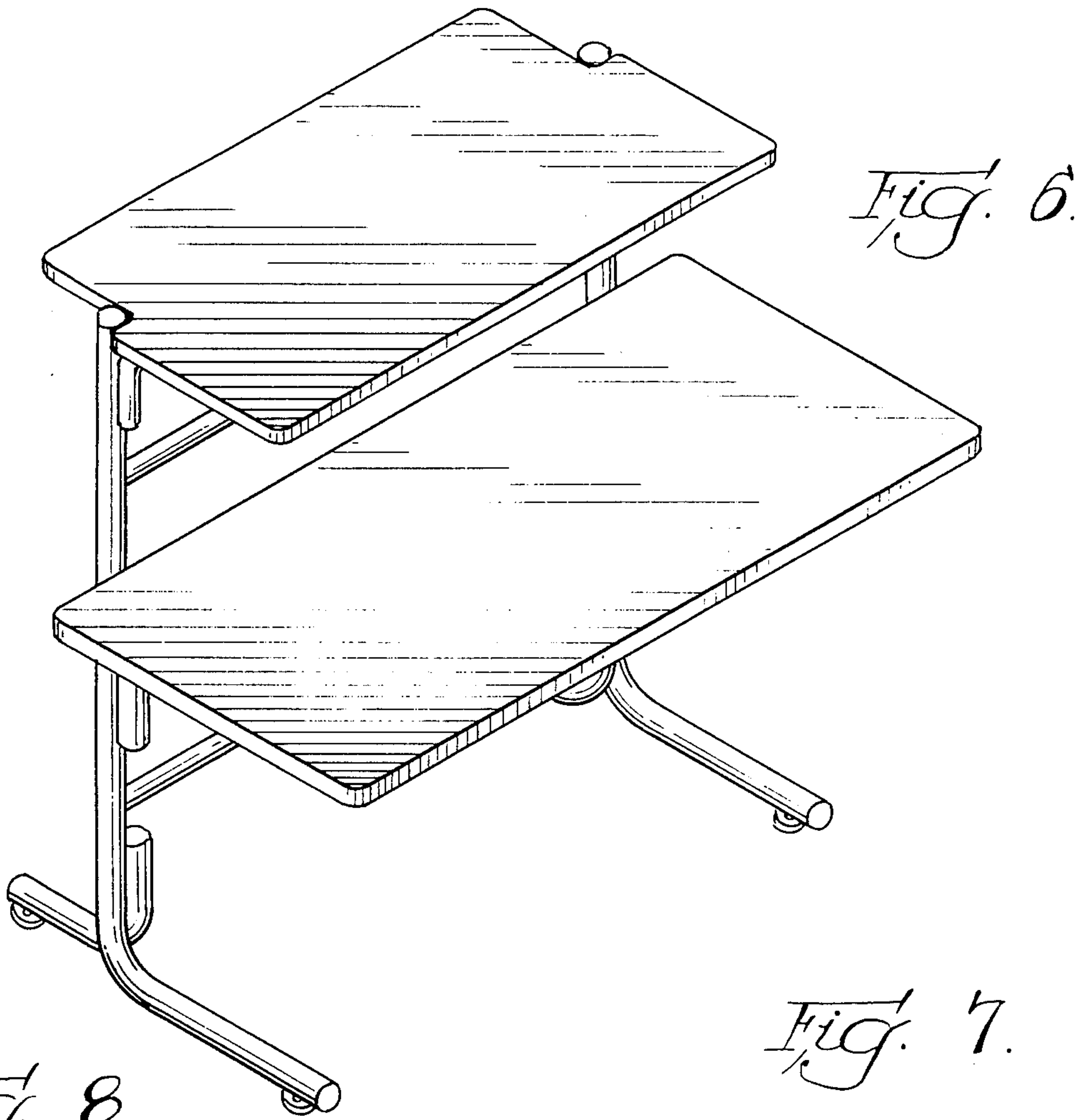


Fig. 8.

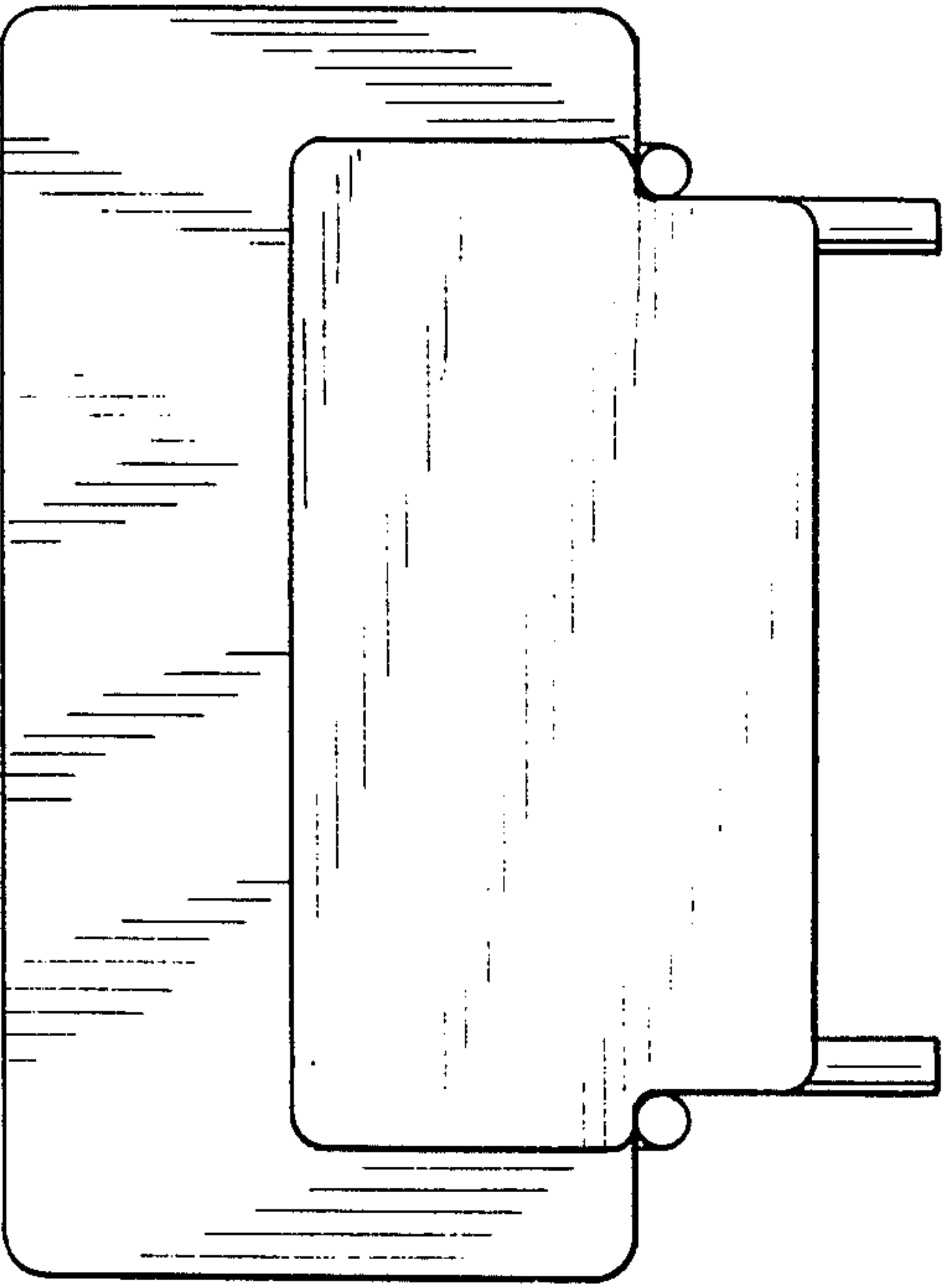
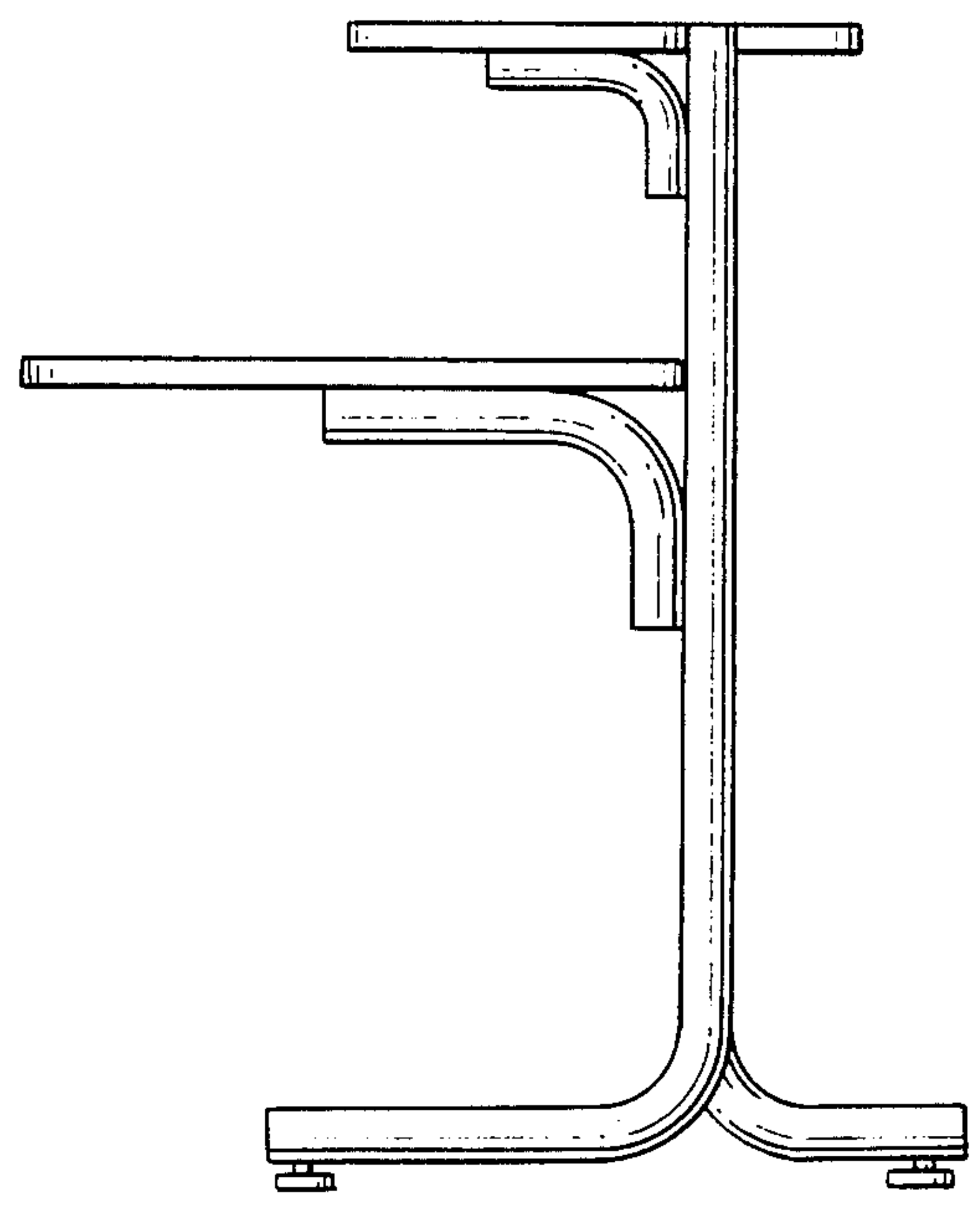
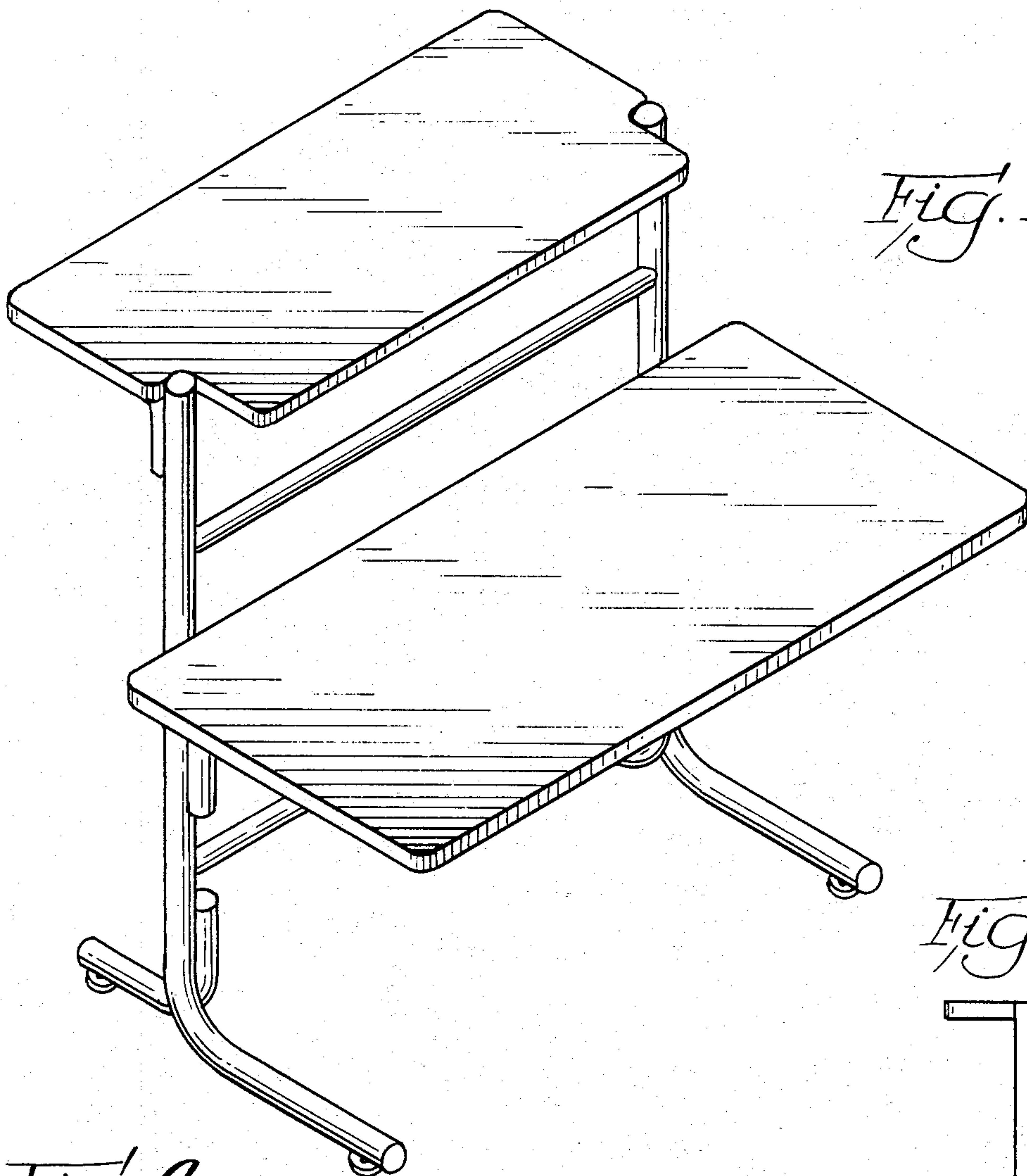


Fig. 7.

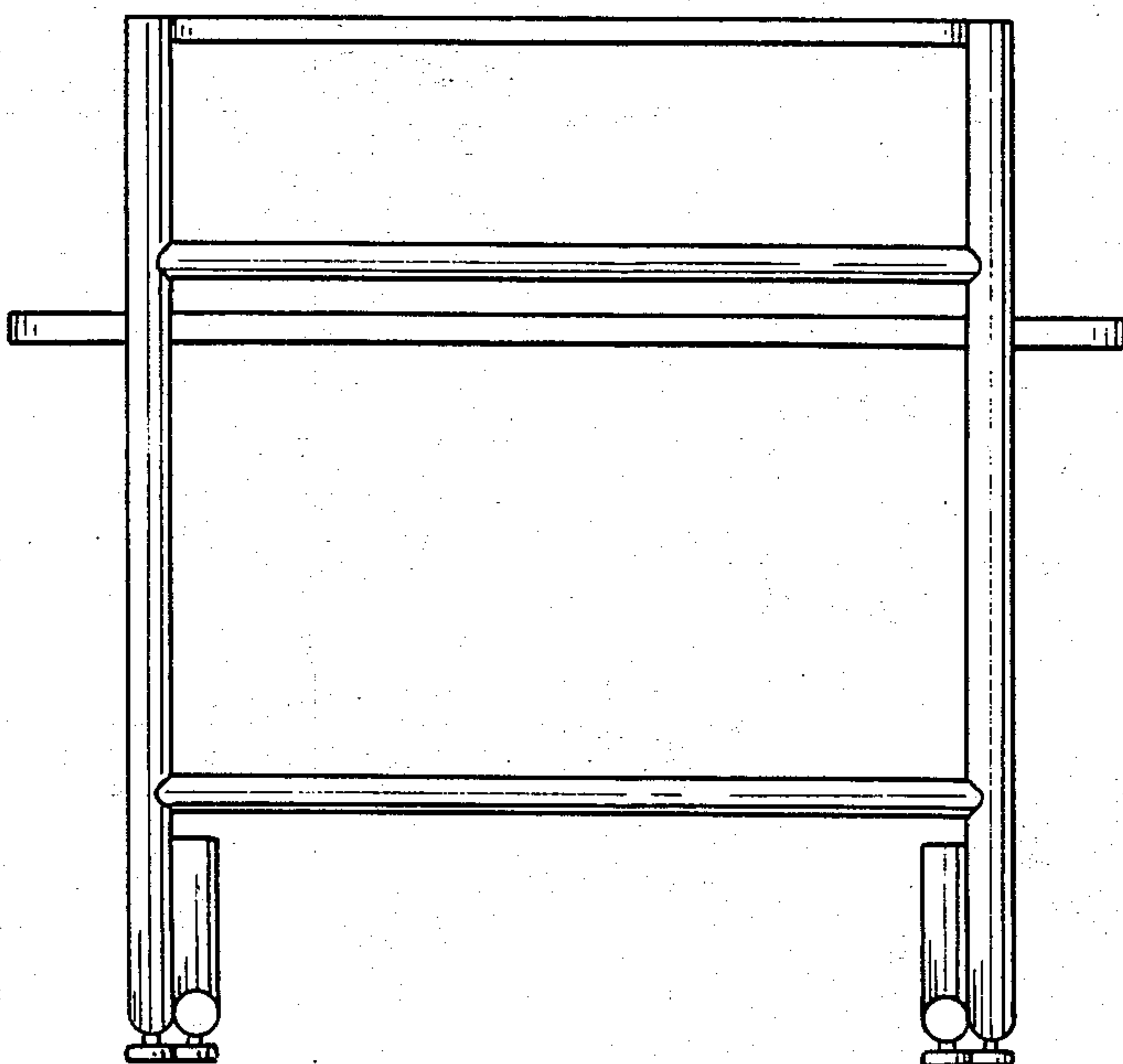




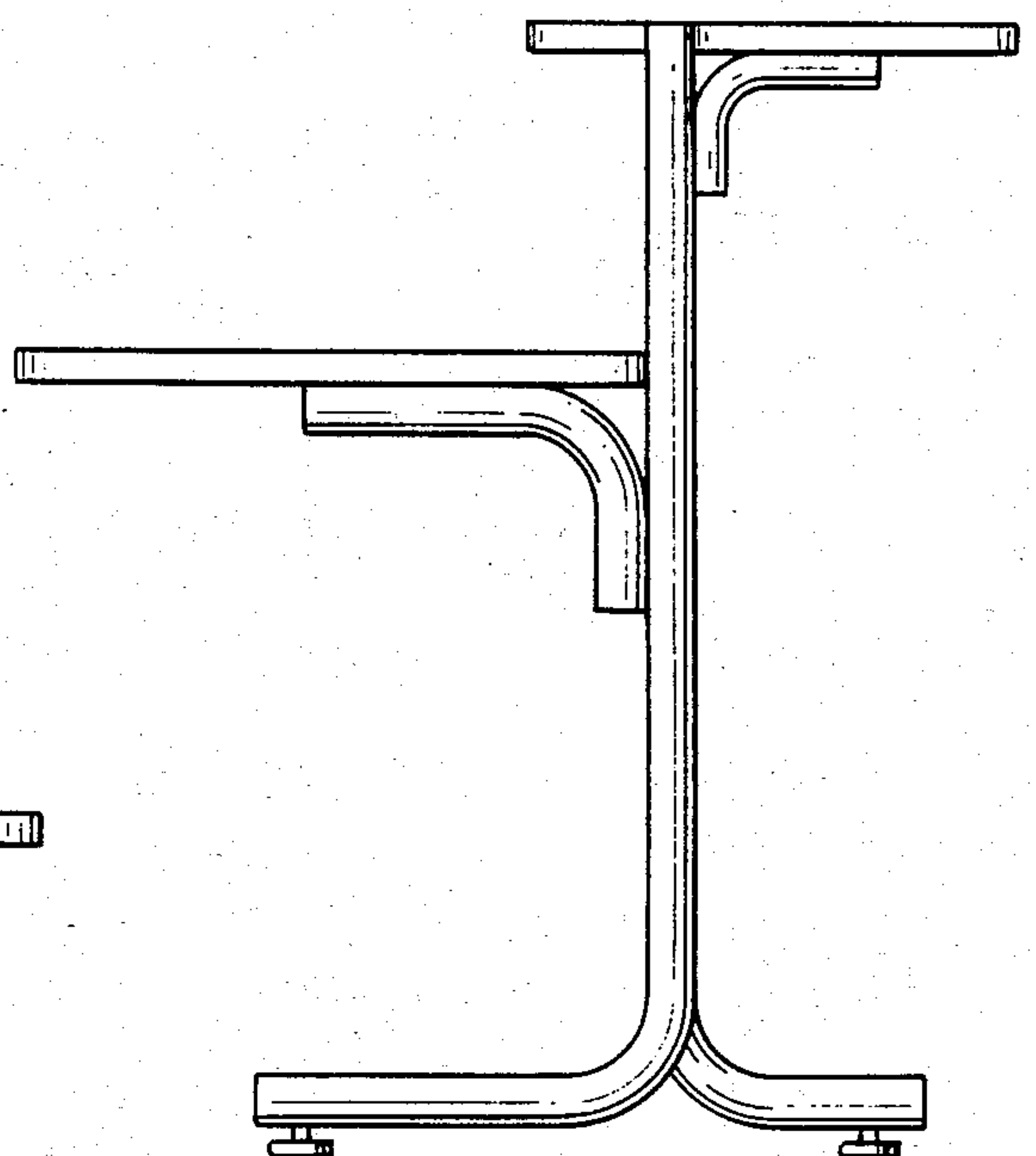


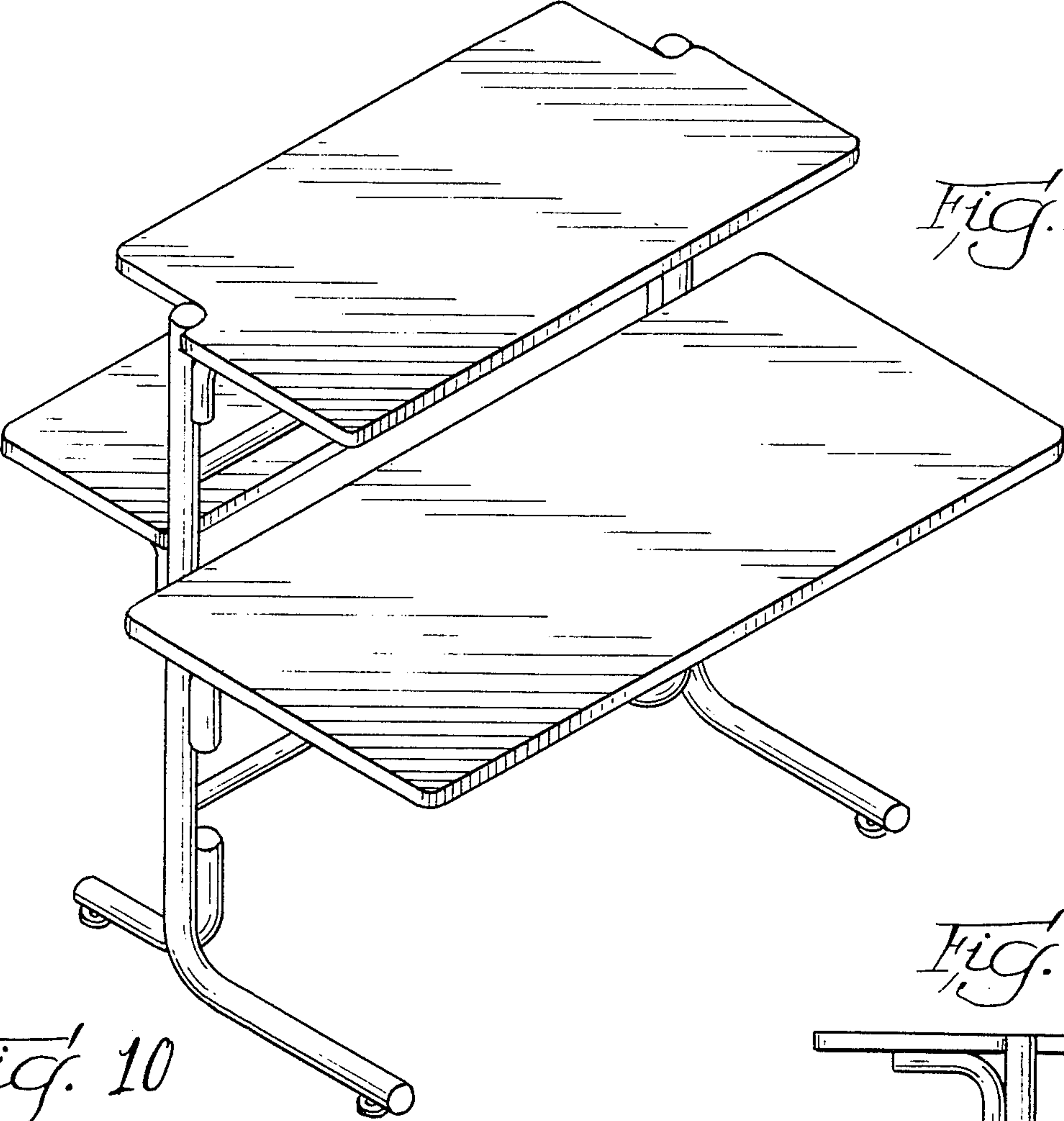
*Fig. 14*

*Fig. 9.*

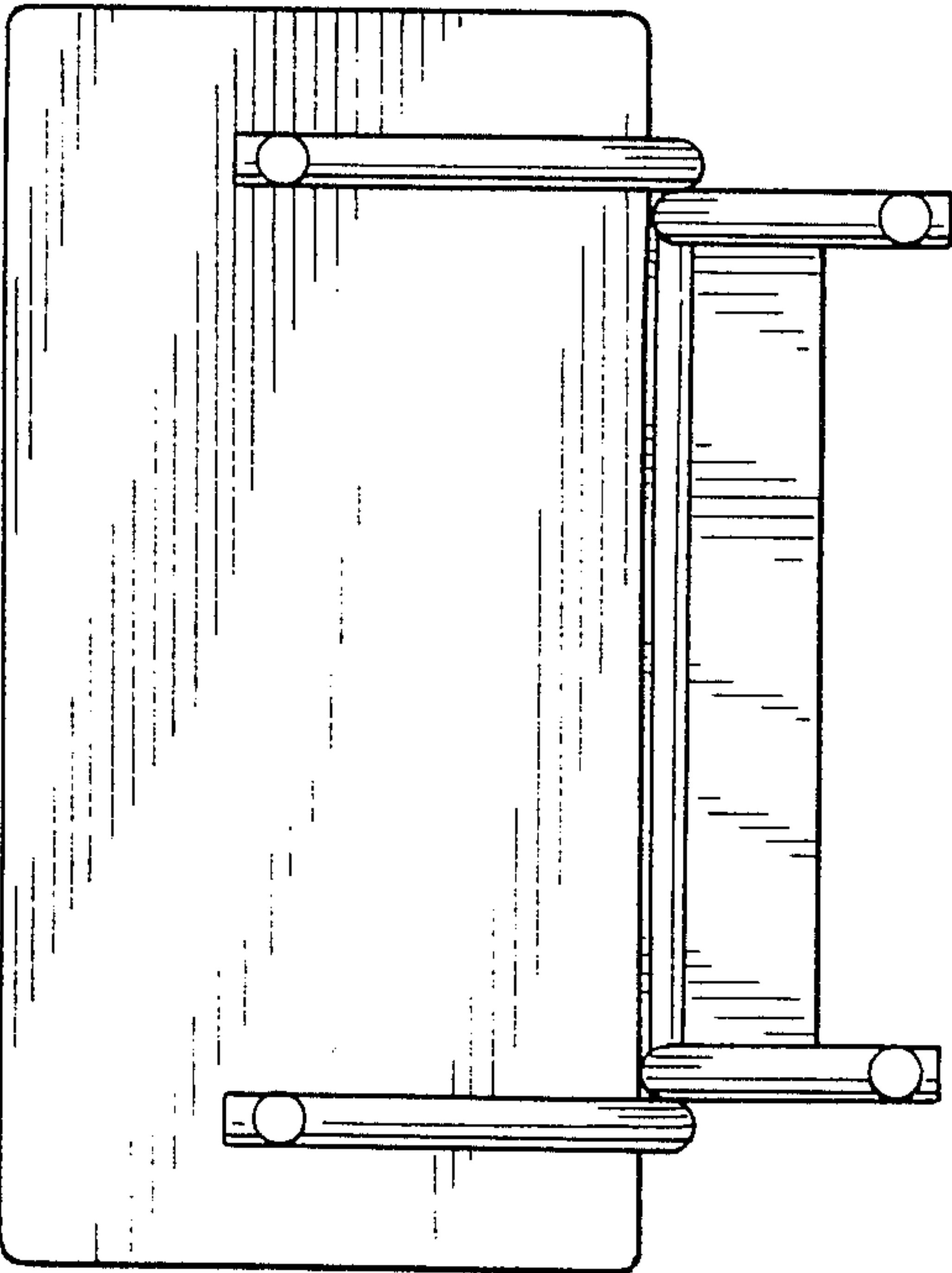


*Fig. 15.*



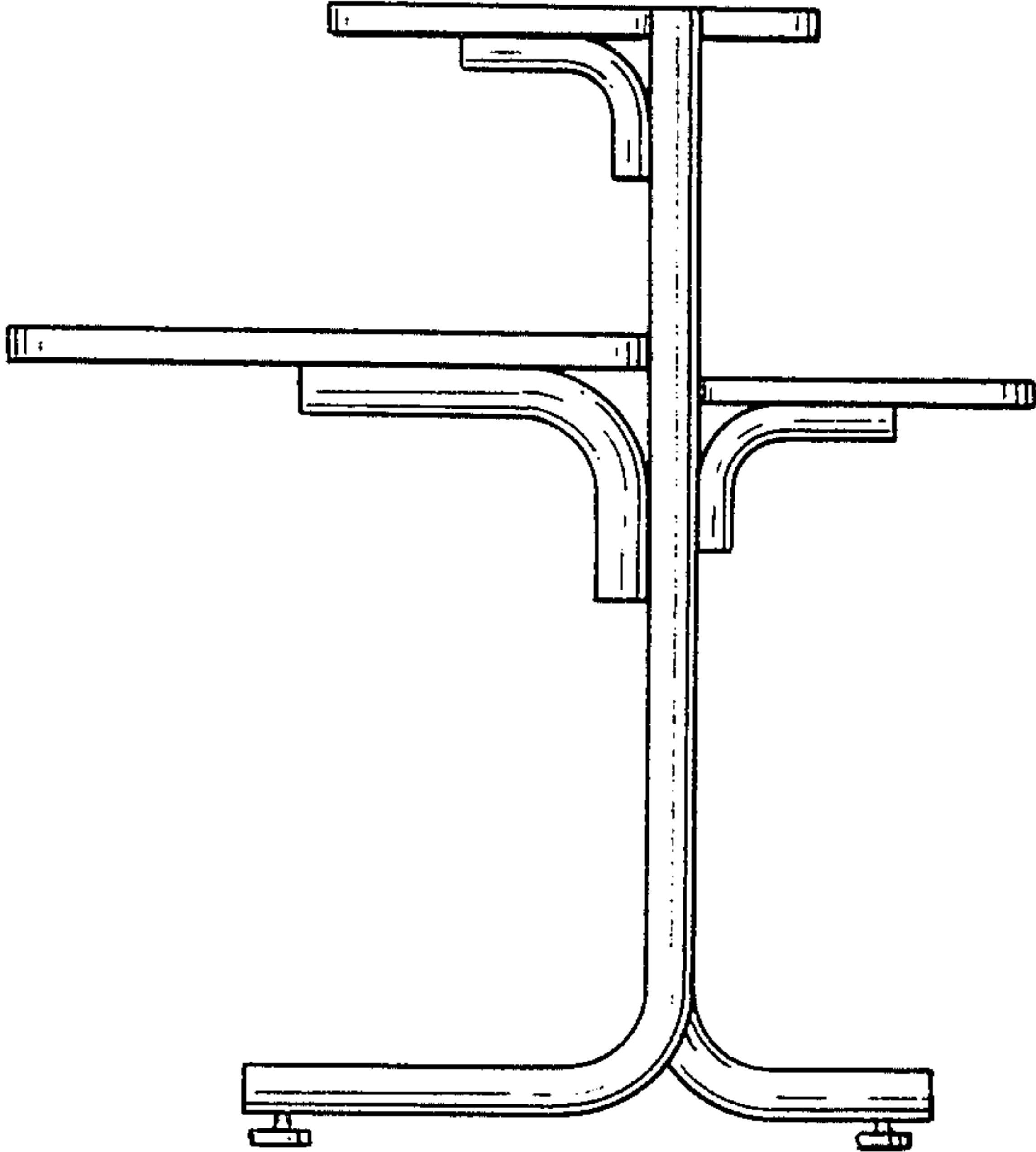


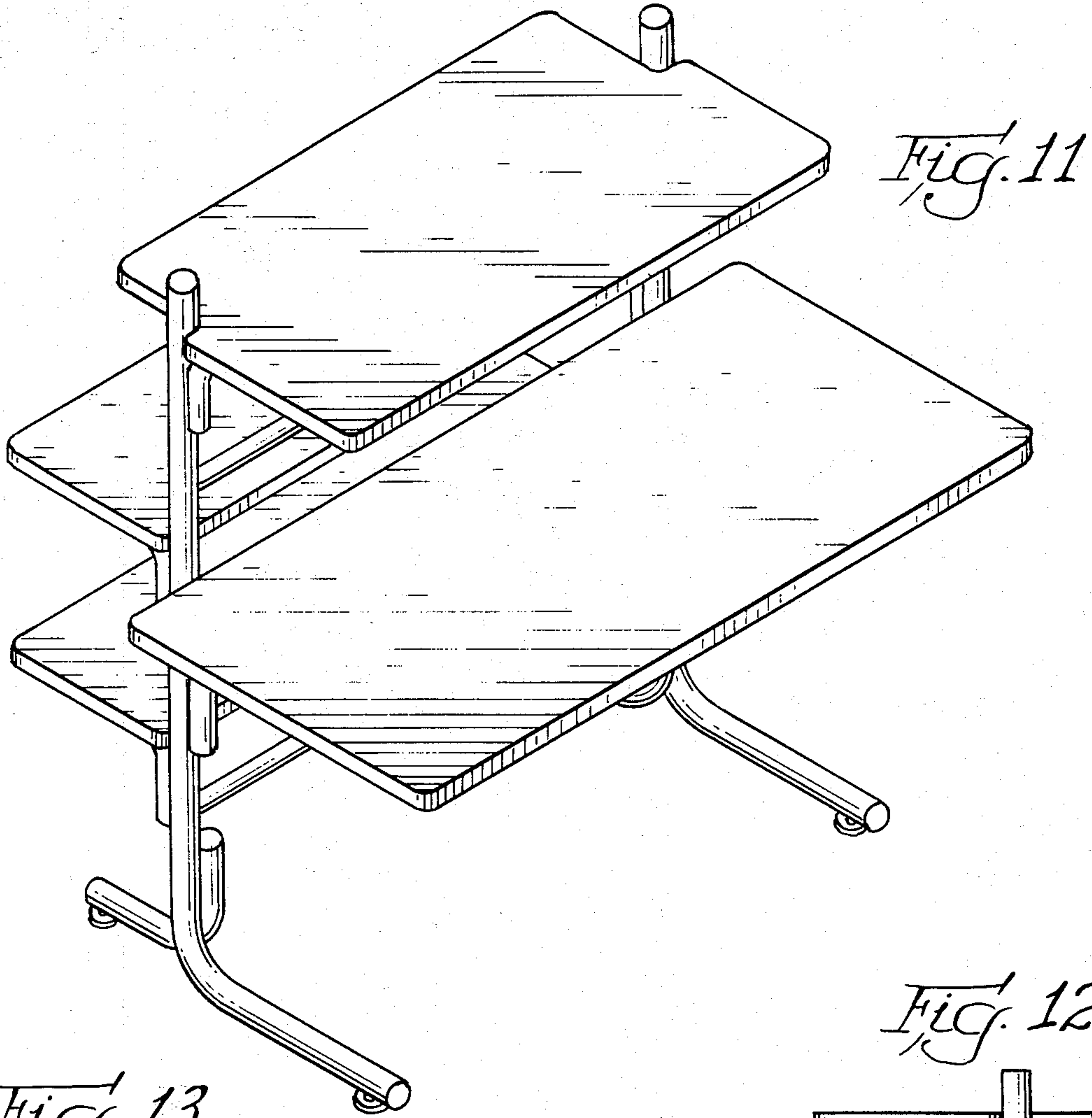
*Fig. 10*



*Fig. 16*

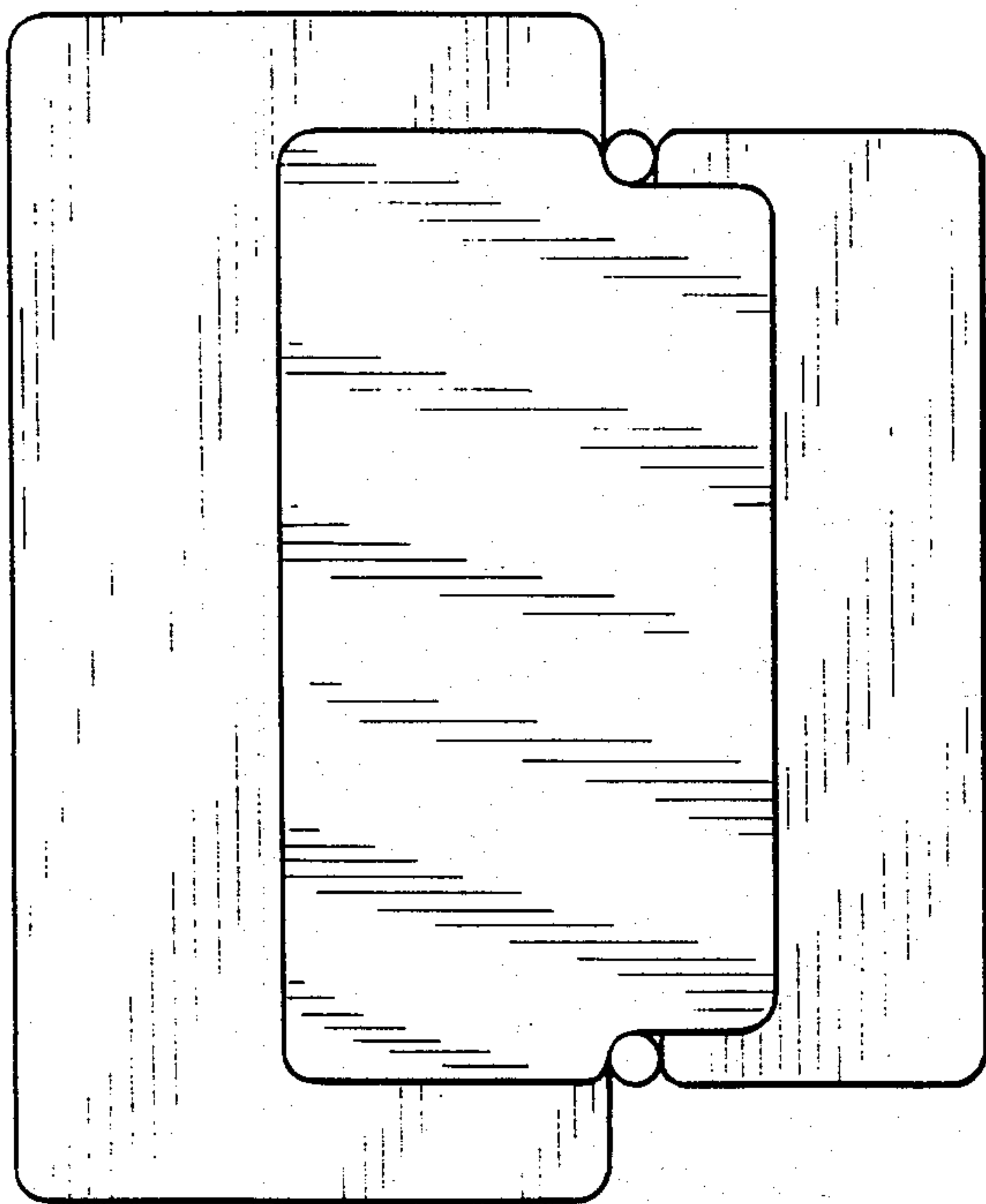
*Fig. 17*



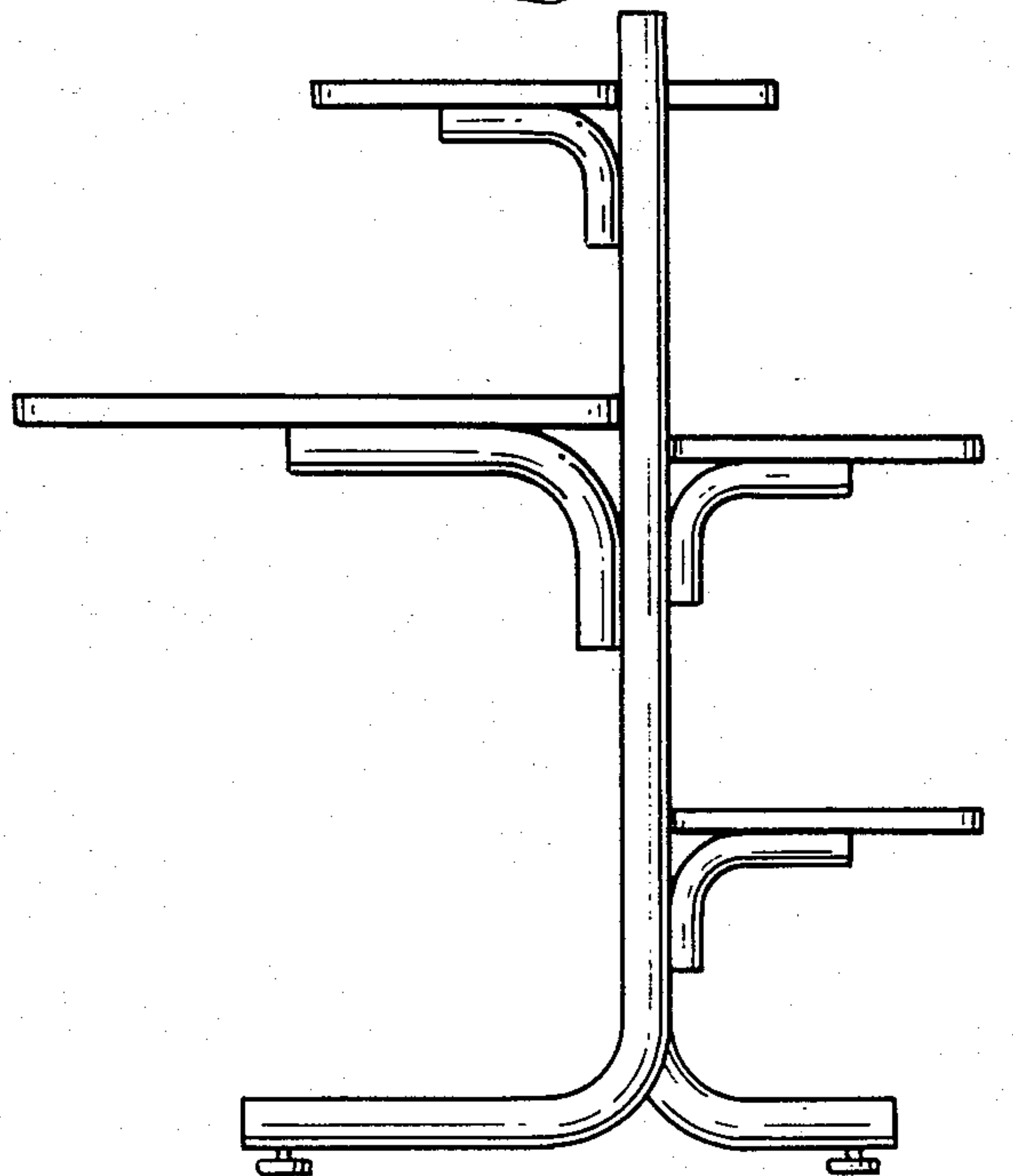


*Fig. 11*

*Fig. 13.*



*Fig. 12.*



UNITED STATES PATENT AND TRADEMARK OFFICE  
**CERTIFICATE OF CORRECTION**

PATENT NO. : Des. 279,740  
DATED : July 23, 1985  
INVENTOR(S) : Thomas E. Slager

It is certified that error appears in the above-identified patent and that said Letters Patent is hereby corrected as shown below:

Title page, DESCRIPTION, lines 6, 13, 19 and 23; change ",,"  
to -- . -- in all four instances

Title page, DESCRIPTION, line 8; "design" should read  
-- desk --

**Signed and Sealed this**  
*Nineteenth Day of November 1985*

[SEAL]

*Attest:*

*Attesting Officer*

**DONALD J. QUIGG**

*Commissioner of Patents and Trademarks*