

United States Patent [19]

Lavenger et al.

[11] Patent Number: **Des. 279,737**

[45] Date of Patent: **** Jul. 23, 1985**

[54] **WORK STATION MODULE**

[75] Inventors: **Frank Lavenger, Auburn; Dean Kelley, Lewiston, both of Me.**

[73] Assignee: **Diamond Machine Company, Lewiston, Me.**

[**] Term: **14 Years**

[21] Appl. No.: **395,938**

[22] Filed: **Jul. 7, 1982**

[52] U.S. Cl. **D6/423**

[58] Field of Search **D6/85, 181, 158, 159, D6/161, 162, 157, 186, 421, 422, 423, 424, 425, 426, 427, 428; D24/1.1; 312/194, 195, 196, 239; 108/59, 60, 61, 64, 69, 92, 93**

[56] **References Cited**

U.S. PATENT DOCUMENTS

D. 100,349	7/1936	Jones	D6/426
D. 169,973	7/1953	Goins, Sr.	D6/157
D. 189,919	3/1961	Briggs	D6/157

D. 197,998	4/1964	Van Acker	D6/85 X
D. 215,931	11/1969	Sandefur	D24/1.1
D. 251,279	3/1979	Winig	D6/157
D. 252,820	9/1979	Olson	D24/1.1
D. 257,100	9/1980	Berman et al.	D6/159 X
2,688,525	9/1954	Lindstrom	312/195 X
3,588,210	6/1971	Des Marais	312/196

Primary Examiner—Carmen H. Vales

Attorney, Agent, or Firm—David H. Semmes; Warren E. Olsen

[57] **CLAIM**

The ornamental design for a work station module, as shown and described.

DESCRIPTION

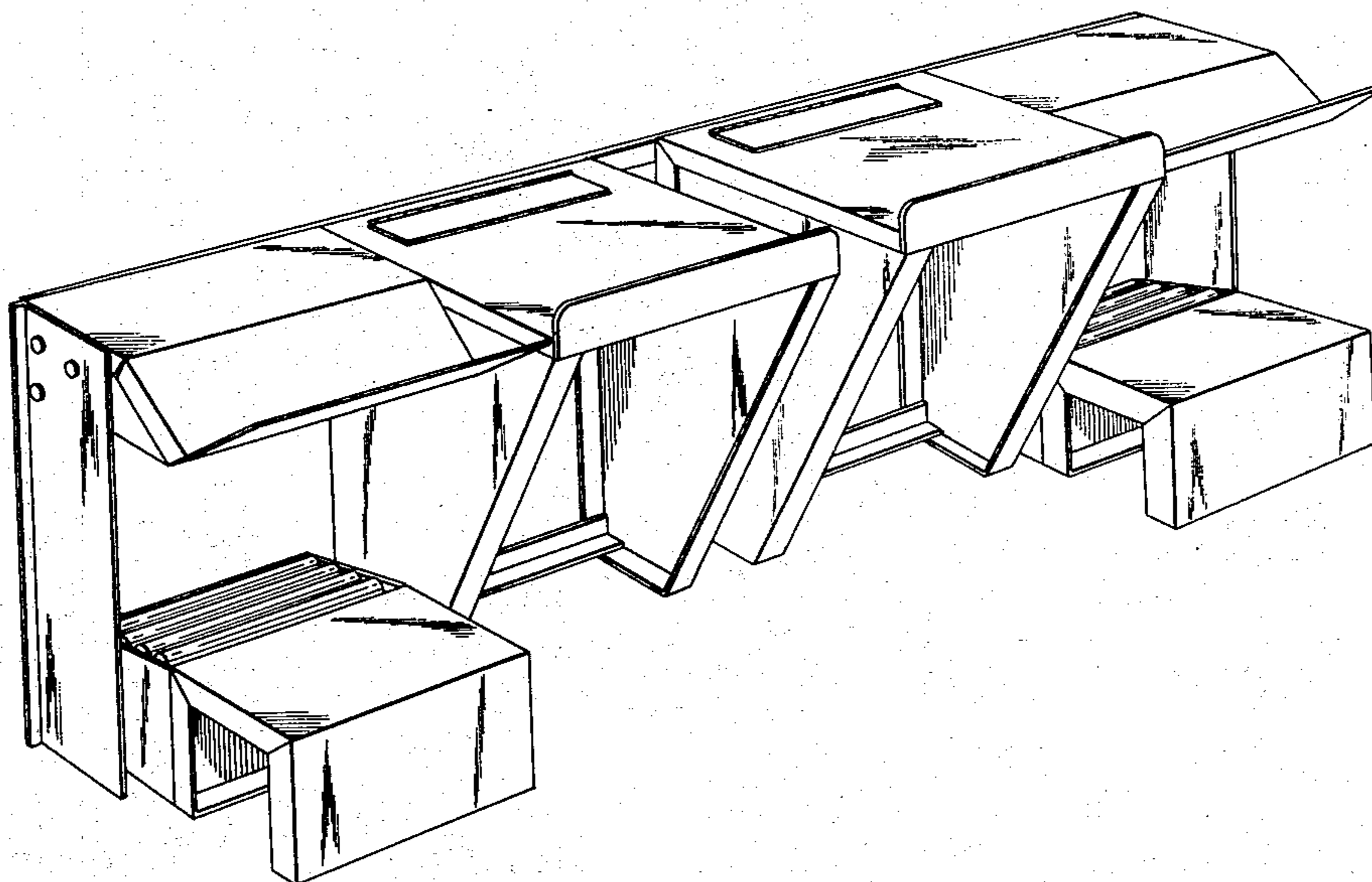
FIG. 1 is a rear perspective view of a work station module showing our new design;

FIG. 2 is a rear elevational view thereof;

FIG. 3 is a front elevational view thereof;

FIG. 4 is a left end elevational view thereof; and

FIG. 5 is a top plan view thereof.



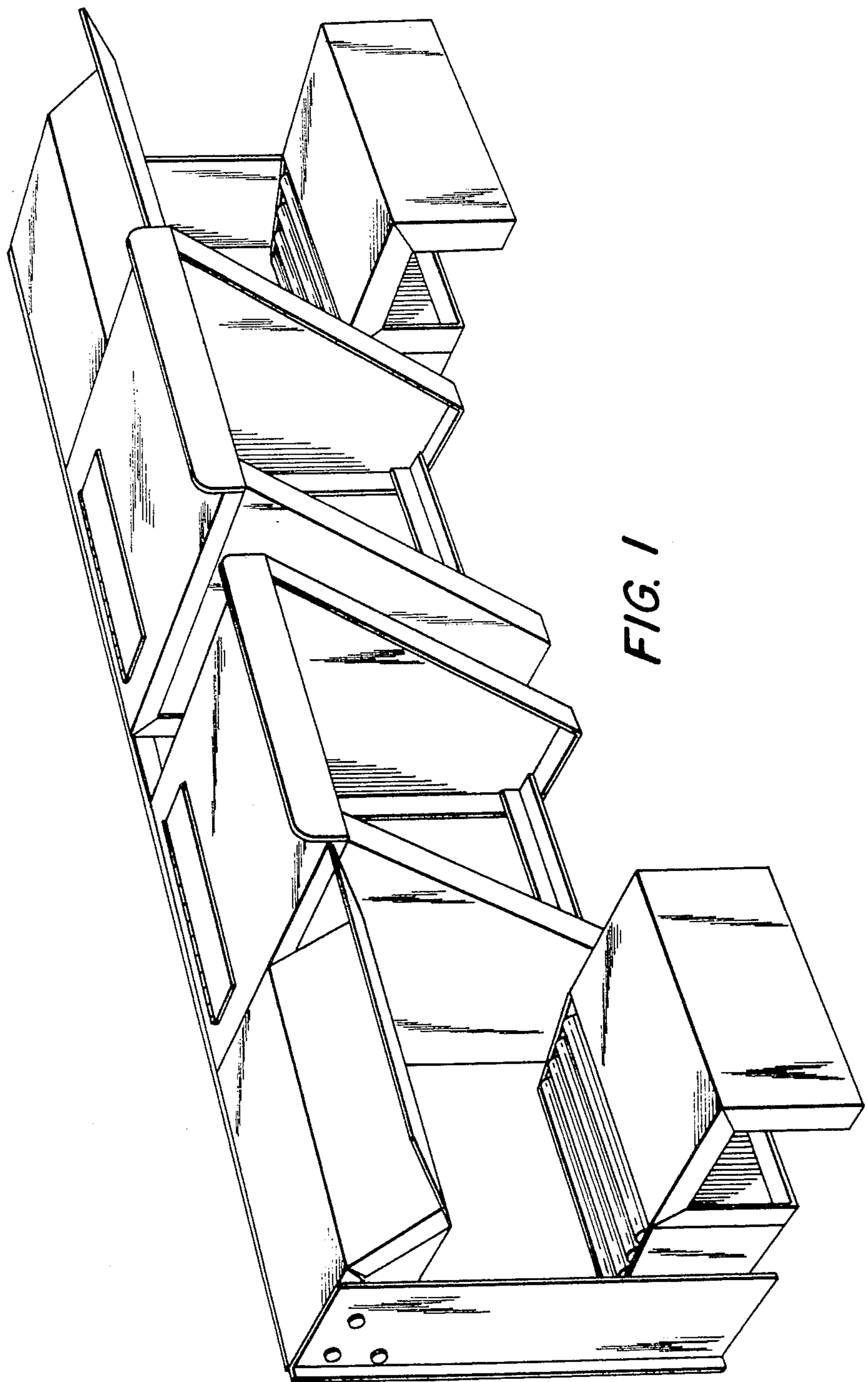


FIG. 1

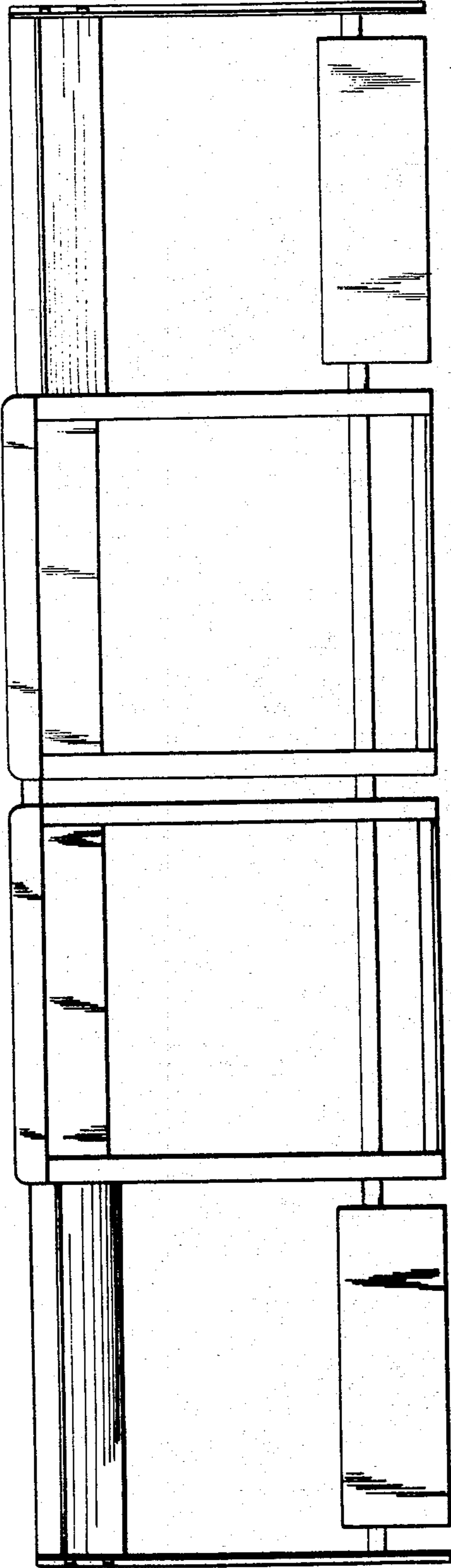


FIG. 2

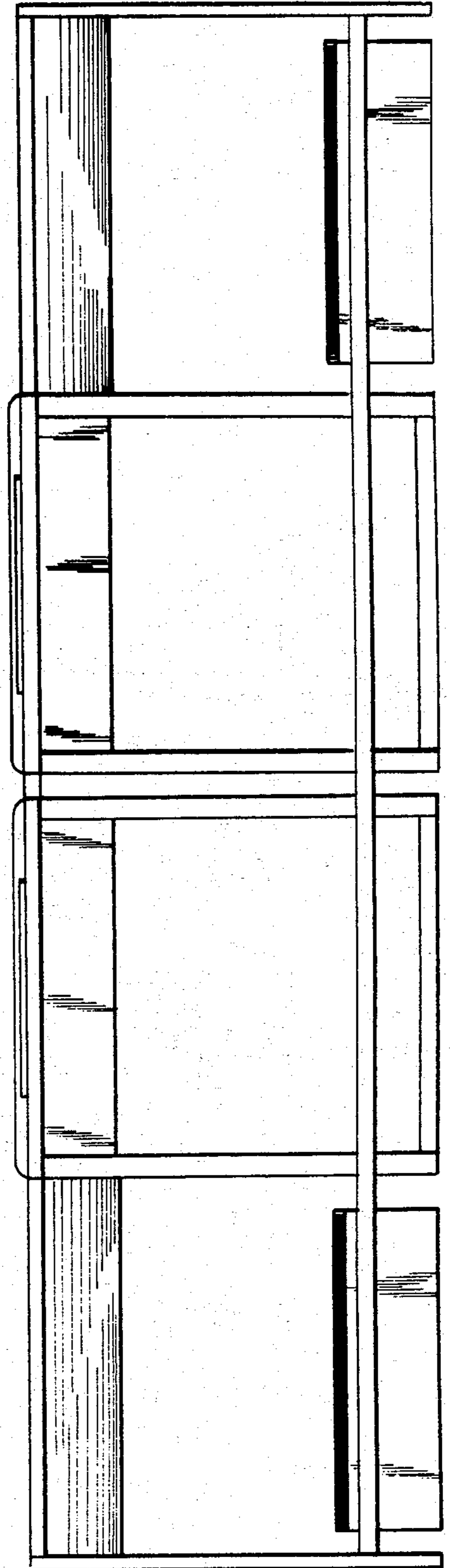


FIG. 3

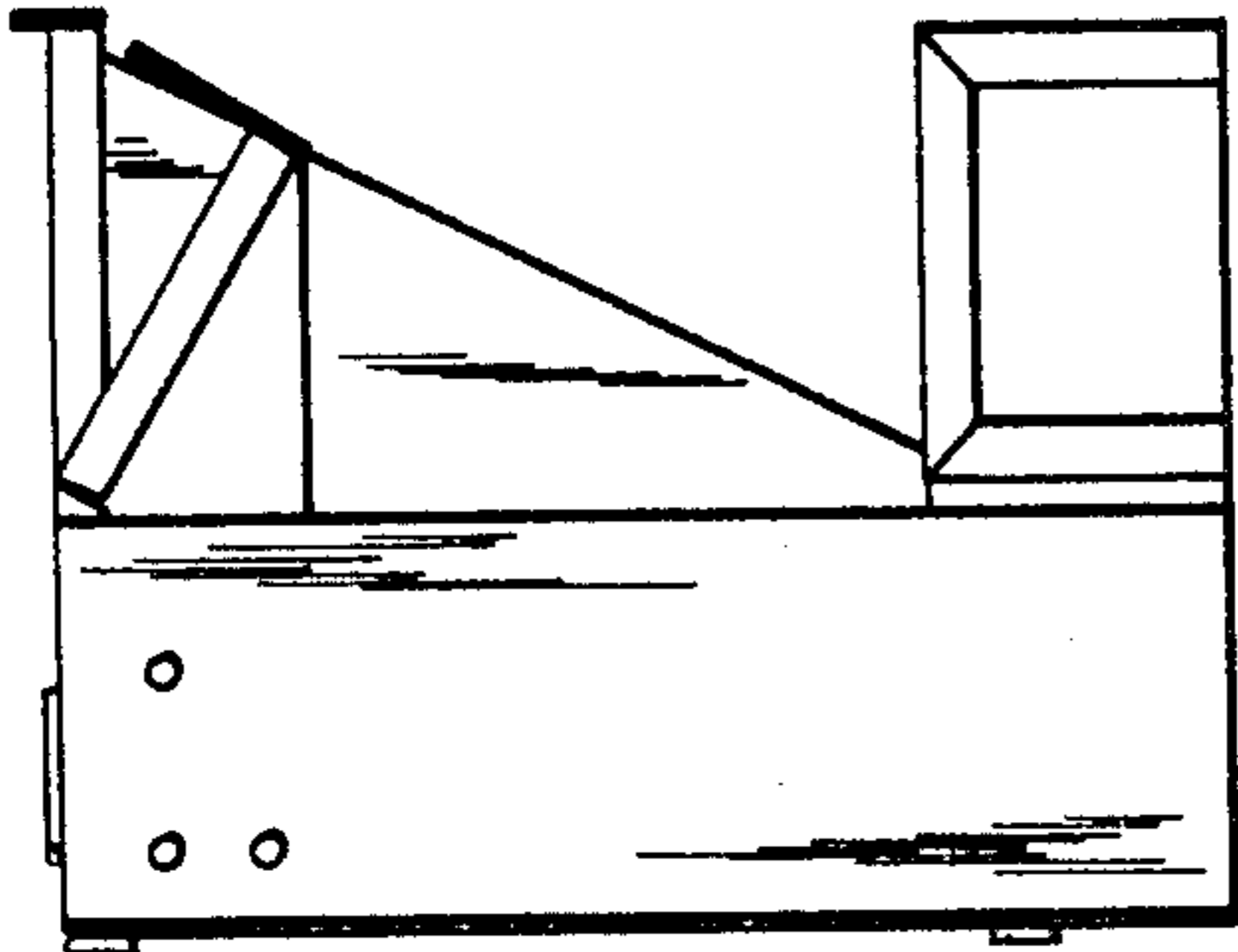


FIG. 4

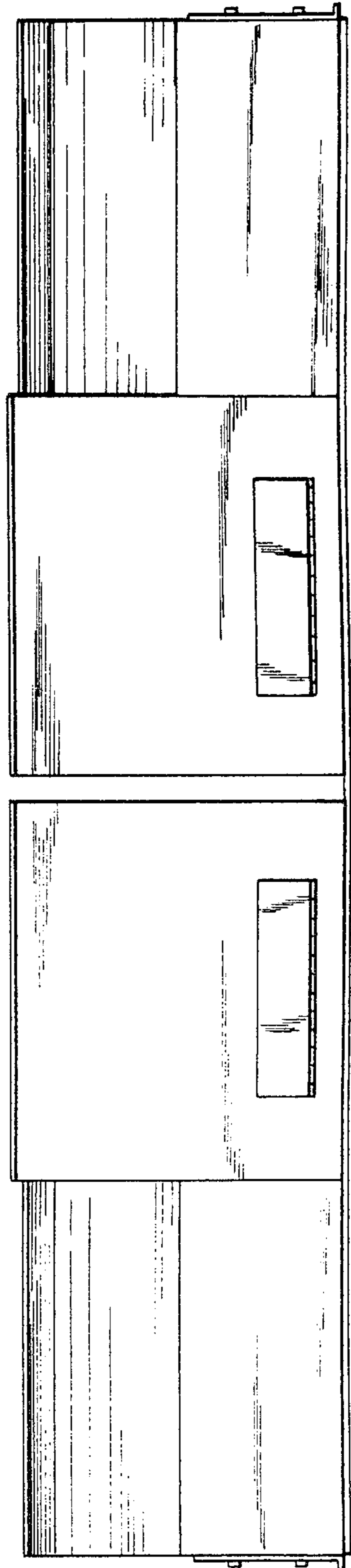


FIG. 5