

# United States Patent [19]

Ritchey

[11] Patent Number: **Des. 279,730**

[45] Date of Patent: **\*\* Jul. 23, 1985**

[54] **TIE RACK OR THE LIKE**

[76] Inventor: **William D. Ritchey, 1617 M St.,  
Bedford, Ind. 47421**

[\*\*] Term: **14 Years**

[21] Appl. No.: **648,769**

[22] Filed: **Sep. 10, 1984**

### Related U.S. Application Data

[62] Division of Ser. No. 400,742, Jul. 22, 1982, Pat. No.  
Des. 276,673.

[52] U.S. Cl. .... **D6/327; D6/513**

[58] Field of Search ..... **D6/315, 317, 327, 513;  
223/DIG. 1; 211/13, 113, 115, 117, 118, 119**

[56] **References Cited**

### U.S. PATENT DOCUMENTS

D. 207,076 2/1967 Bertram ..... D6/317

D. 238,032 12/1975 Duncan ..... D6/315  
3,088,597 5/1963 Ritchey .  
3,203,556 8/1965 Tejerian ..... 211/119  
3,592,343 7/1971 Swett ..... 211/13  
3,783,995 1/1974 Tobin ..... 223/DIG. 1  
4,278,177 7/1981 Fahmi ..... 211/119

*Primary Examiner*—B. J. Bullock

*Attorney, Agent, or Firm*—Barnes & Thornburg

[57] **CLAIM**

The ornamental design for a tie rack or the like, as shown.

### DESCRIPTION

FIG. 1 is a front view of the tie rack or the like showing my new design;

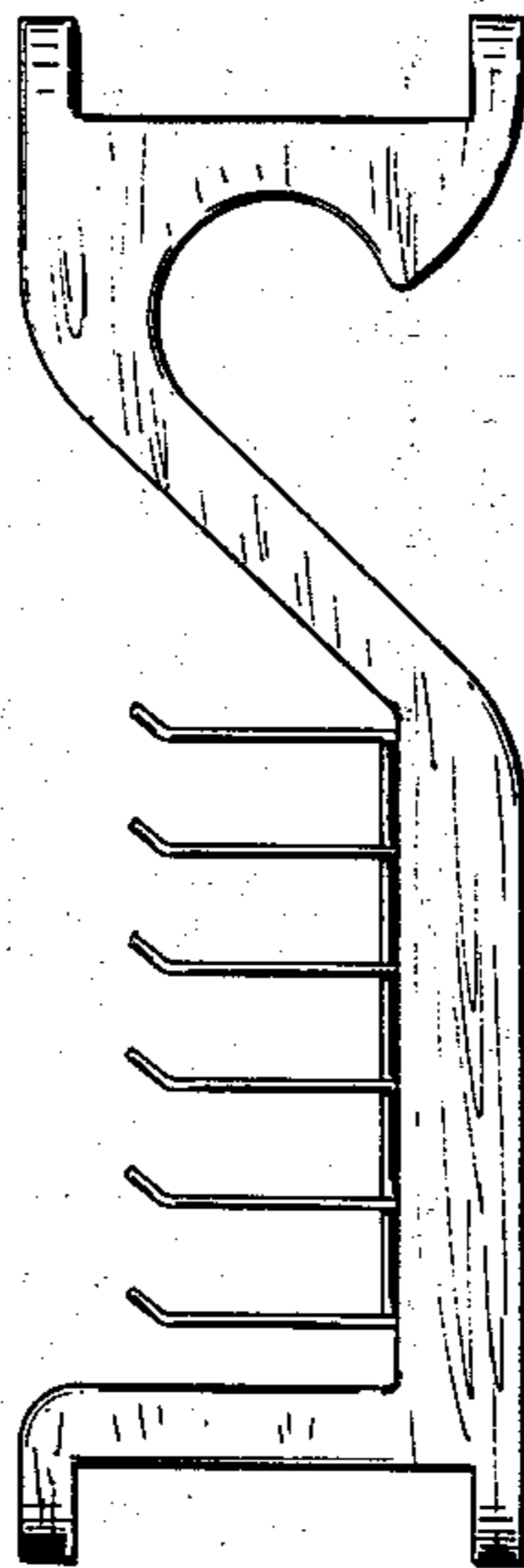
FIG. 2 is a side view taken from the left of FIG. 1;

FIG. 3 is a side view taken from the right of FIG. 1;

FIG. 4 is a rear view thereof;

FIG. 5 is a top view thereof;

FIG. 6 is a bottom view thereof.



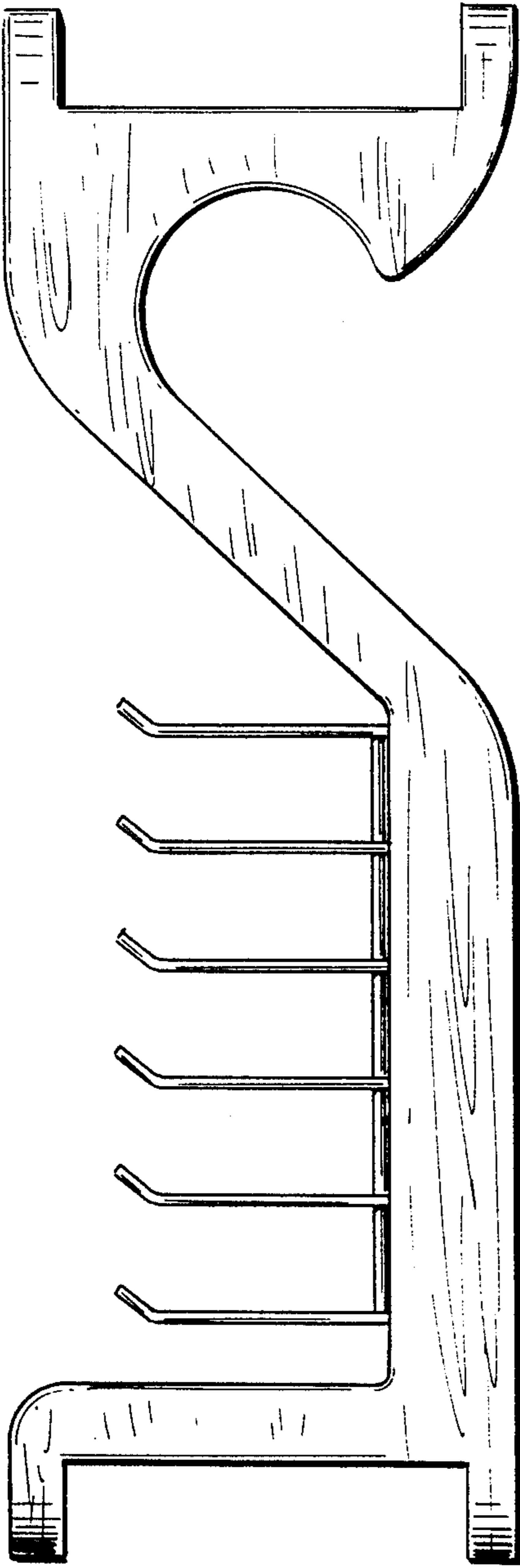


FIG. 1



FIG. 2

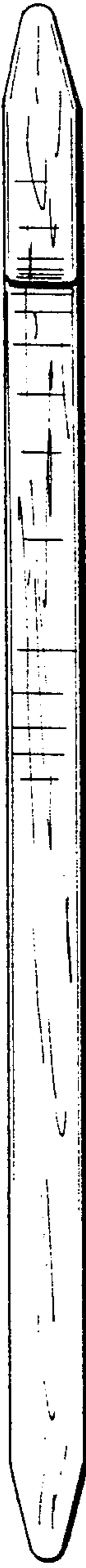


FIG. 3

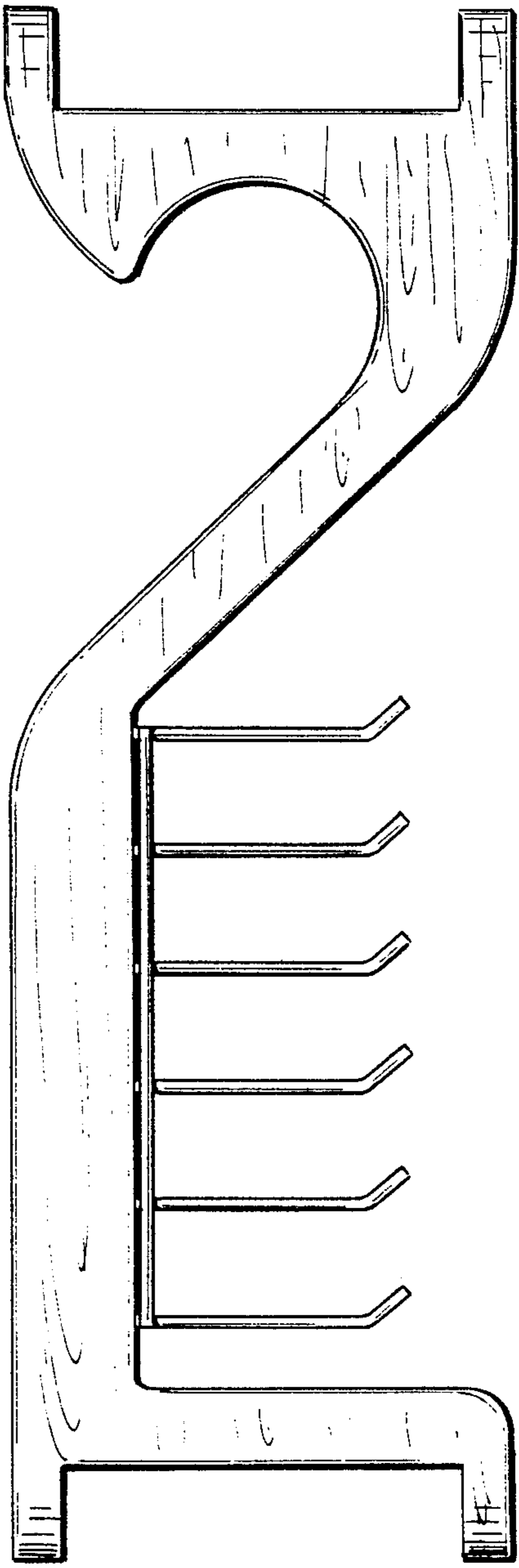


FIG. 4

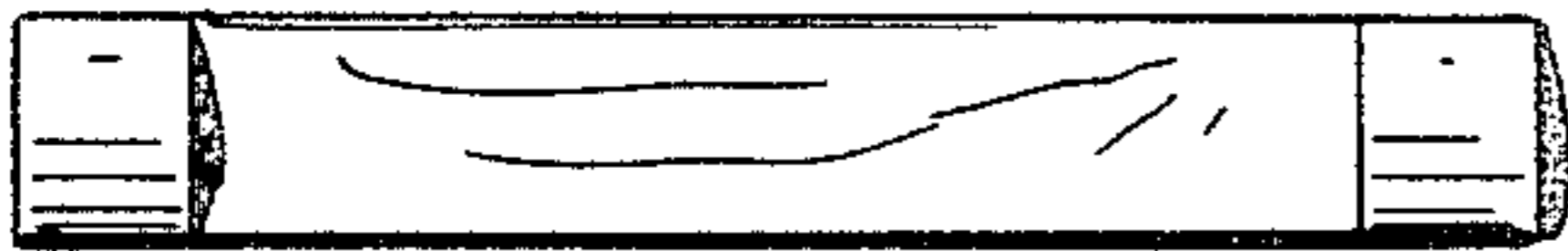


FIG. 5

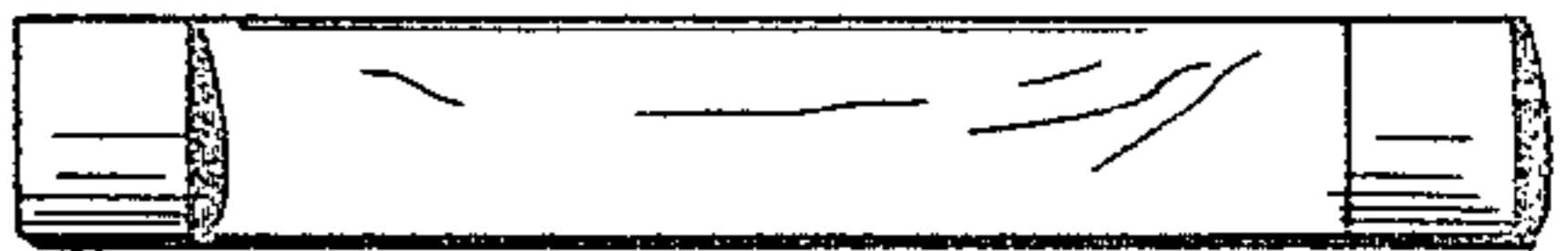


FIG. 6