

**United States Patent** [19]  
**Polanish**

[11] **Patent Number: Des. 279,729**

[45] **Date of Patent: \*\* Jul. 23, 1985**

[54] **BRUSH APPLICATOR**

[76] **Inventor: Eugene Polanish, 169 Western Hwy.,  
West Nyack, N.Y. 10994**

[\*\*] **Term: 14 Years**

[21] **Appl. No.: 557,194**

[22] **Filed: Dec. 1, 1983**

[52] **U.S. Cl. .... D4/135**

[58] **Field of Search ..... D4/130, 132, 135, 138;  
15/159 R, 160, 143 R; 132/85**

[56] **References Cited**

**U.S. PATENT DOCUMENTS**

D. 134,797 1/1943 Lubkin ..... D4/135

D. 204,449 4/1966 Zavodsky ..... D4/135 X  
D. 258,240 2/1981 Takada et al. .... D4/135  
D. 258,241 2/1981 Takada et al. .... D4/135  
4,144,611 3/1979 Brown ..... 15/143 R X

*Primary Examiner*—Catherine E. Kemper

[57] **CLAIM**

The ornamental design for a brush applicator, as shown and described.

**DESCRIPTION**

FIG. 1 is a perspective view of a brush applicator, showing my new design;  
FIG. 2 is a side elevational view thereof;  
FIG. 3 is a left end elevational view thereof, shown on an enlarged scale.

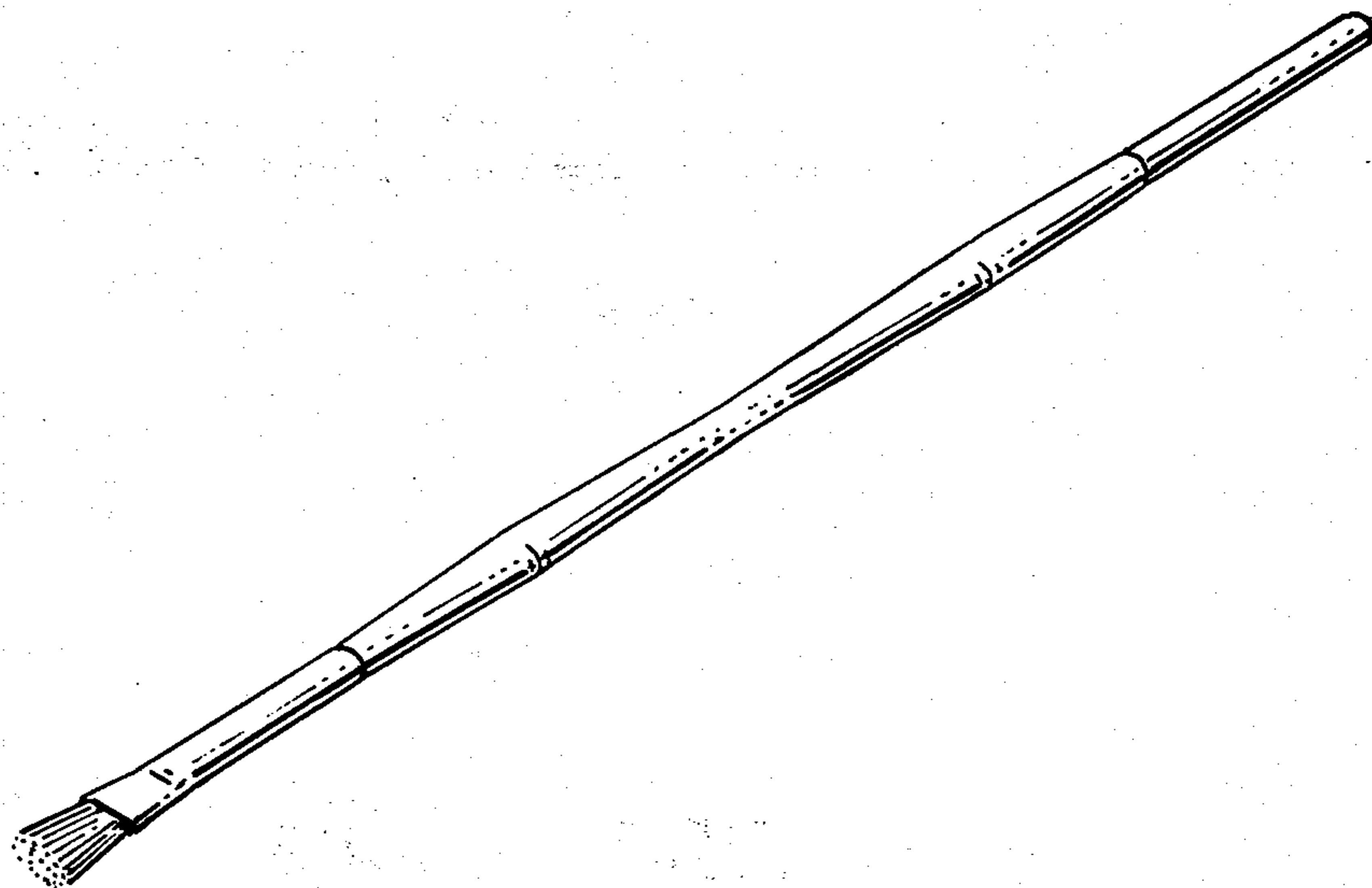


FIG. 1

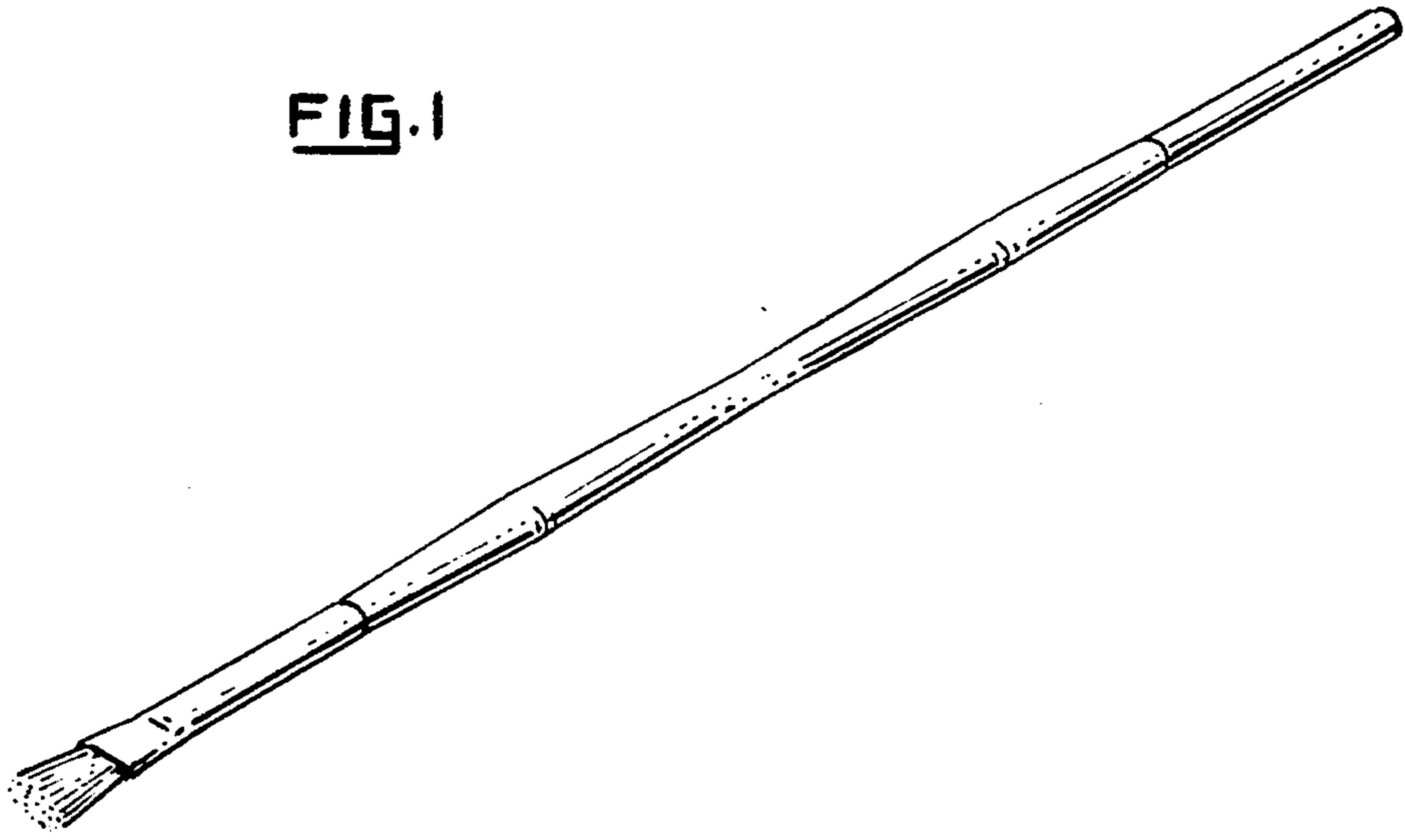


FIG. 2

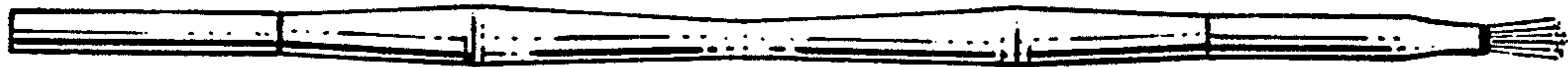


FIG. 3

