

[54] ASHTRAY FOR VEHICLES

[75] Inventor: Yoshihisa Tanaka, Ichikawa, Japan

[73] Assignee: Tanaka Manufacturing Co., Ltd., Tokyo, Japan

[\*\*] Term: 14 Years

[21] Appl. No.: 458,857

[22] Filed: Jan. 17, 1983

[30] Foreign Application Priority Data

Aug. 19, 1982 [JP] Japan ..... 57-37523  
[52] U.S. Cl. .... D27/14  
[58] Field of Search ..... D27/8, 14; 131/231, 131/235 R, 240, 241, 242; 296/37.9, 37.11-37.16

[56] References Cited

U.S. PATENT DOCUMENTS

2,203,960 6/1940 Hickman ..... 131/235 R  
3,166,080 1/1965 Neale ..... 131/242 X  
3,347,246 10/1967 Mester ..... 131/242 X

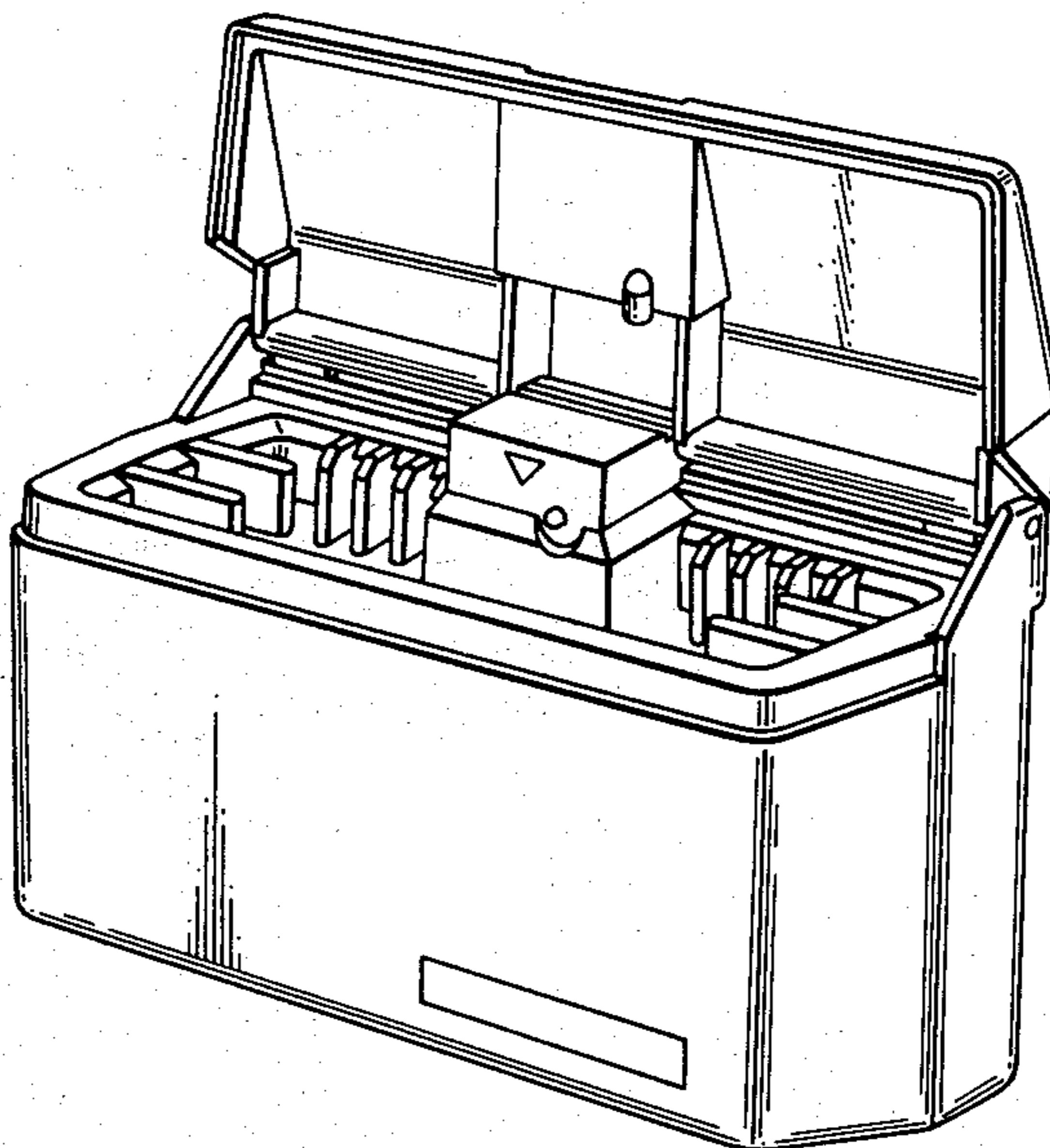
Primary Examiner—Catherine E. Kemper

[57] CLAIM

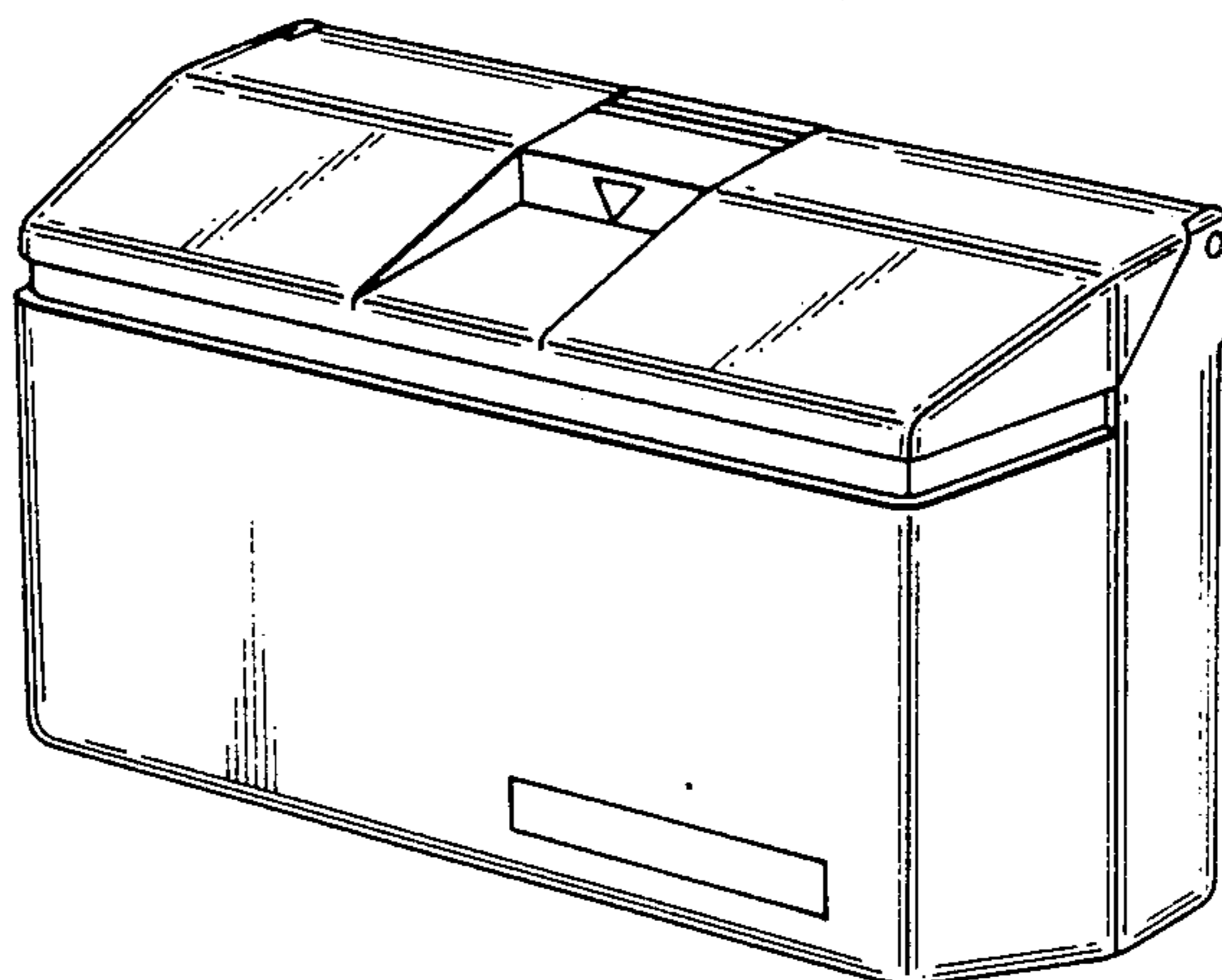
The ornamental design for ashtray for vehicles, as shown and described.

DESCRIPTION

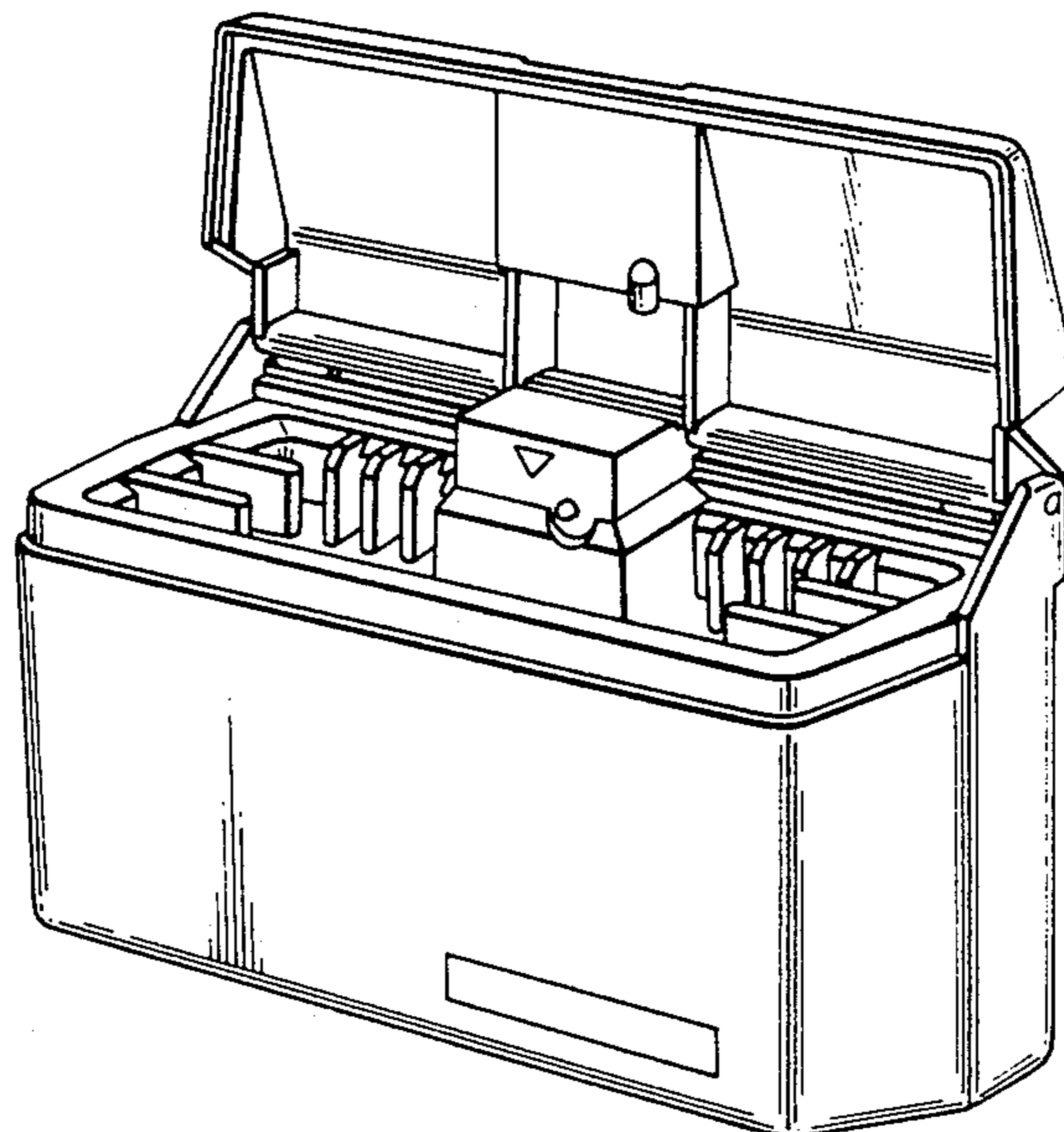
FIG. 1 is an upper right perspective view of an ashtray for vehicles, showing my new design;  
FIG. 2 is an upper right perspective view shown with the cover opened;  
FIG. 3 is a front elevational view of the device as shown in FIG. 1;  
FIG. 4 is a rear elevational view thereof;  
FIG. 5 is a top plan view thereof;  
FIG. 6 is a bottom plan view thereof;  
FIG. 7 is a right side elevational view thereof.



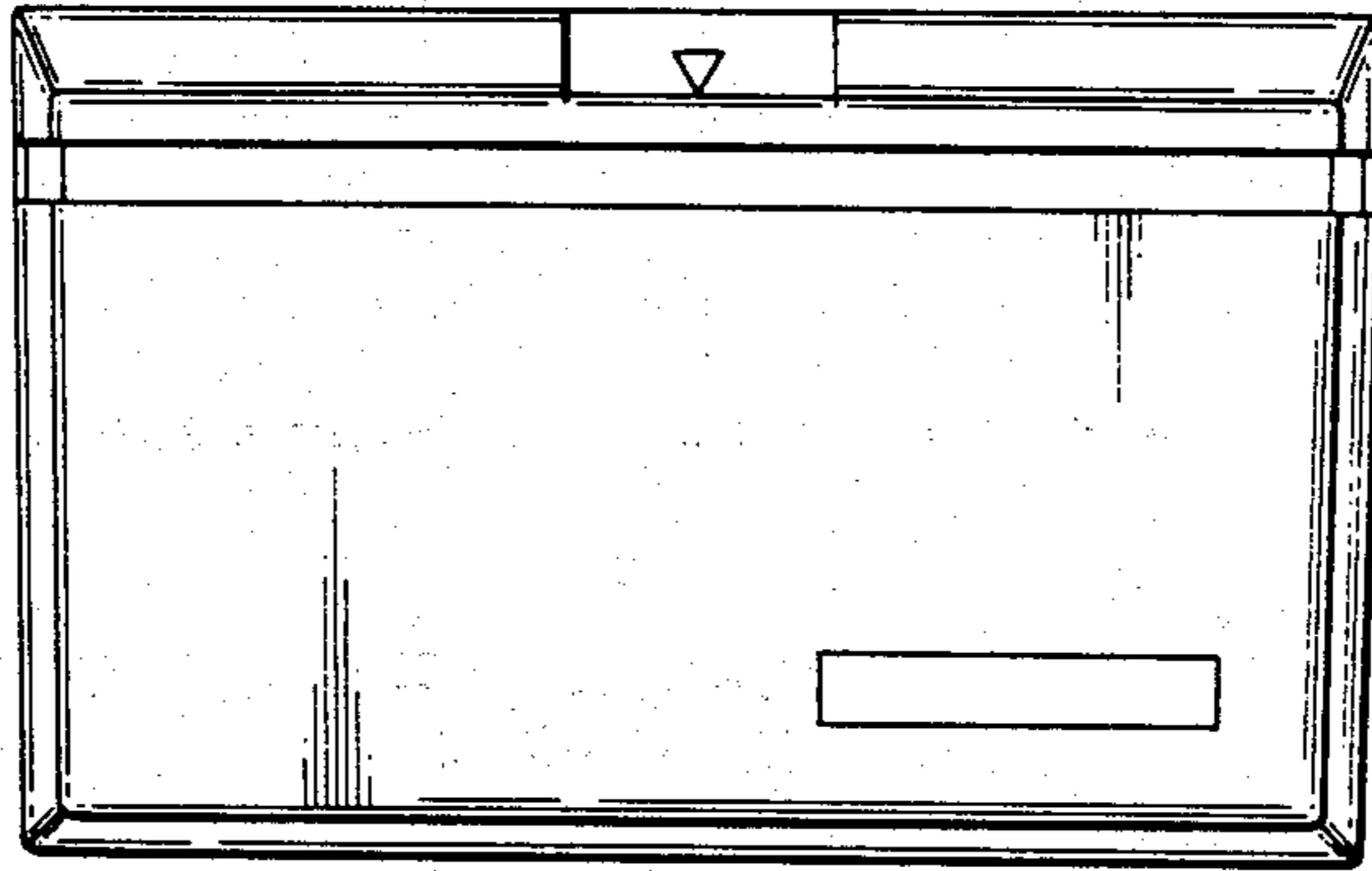
**FIG. 1**



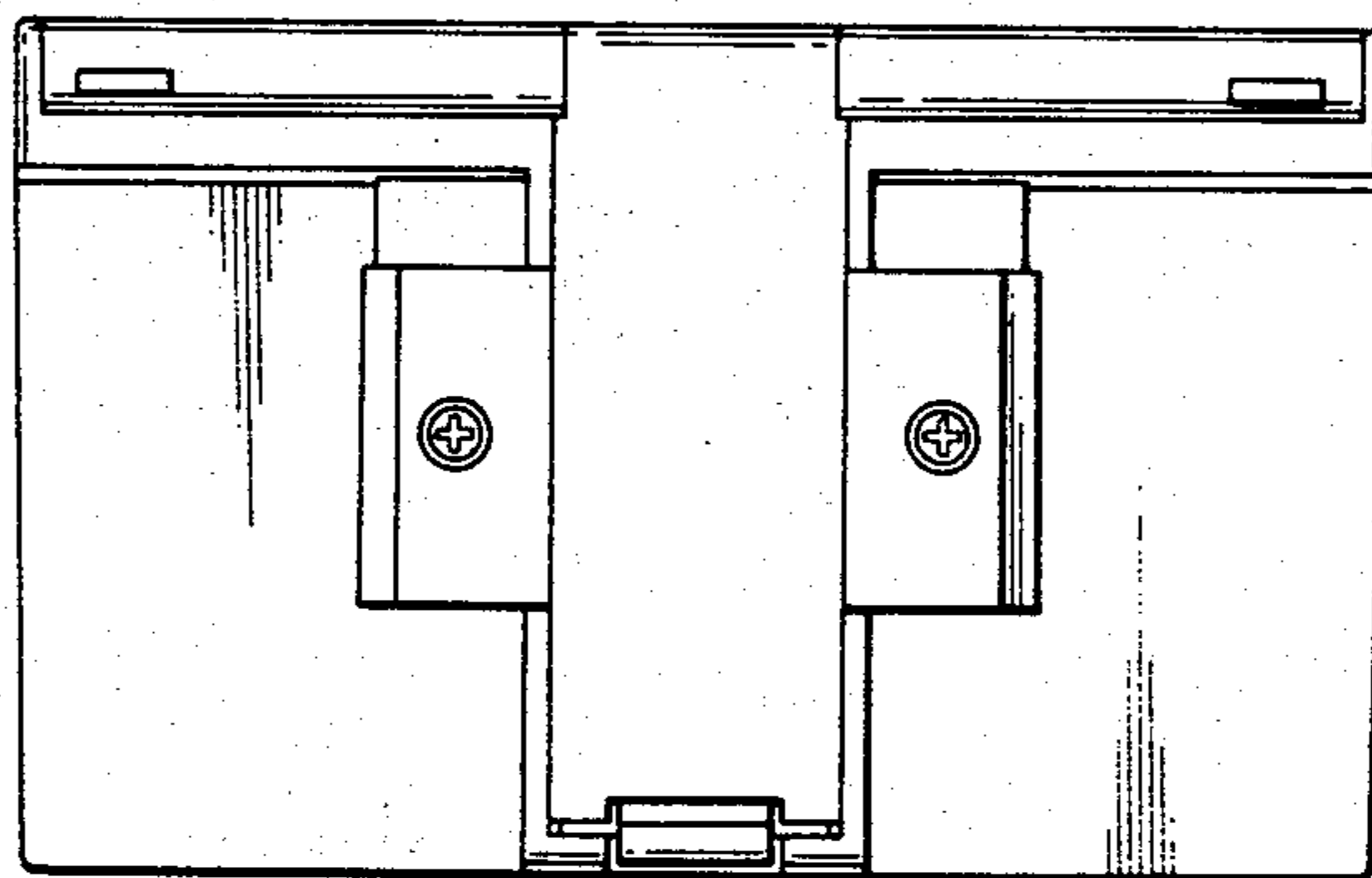
**FIG. 2**



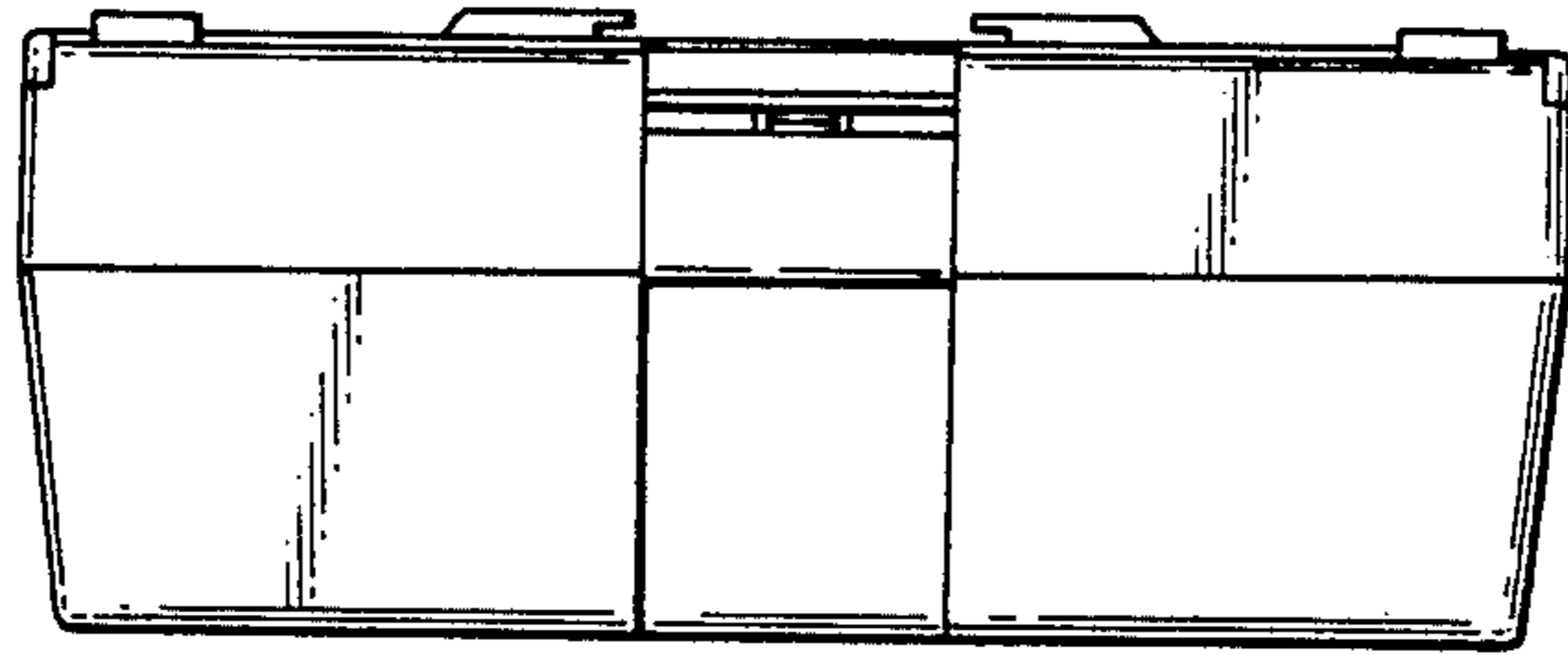
**FIG. 3**



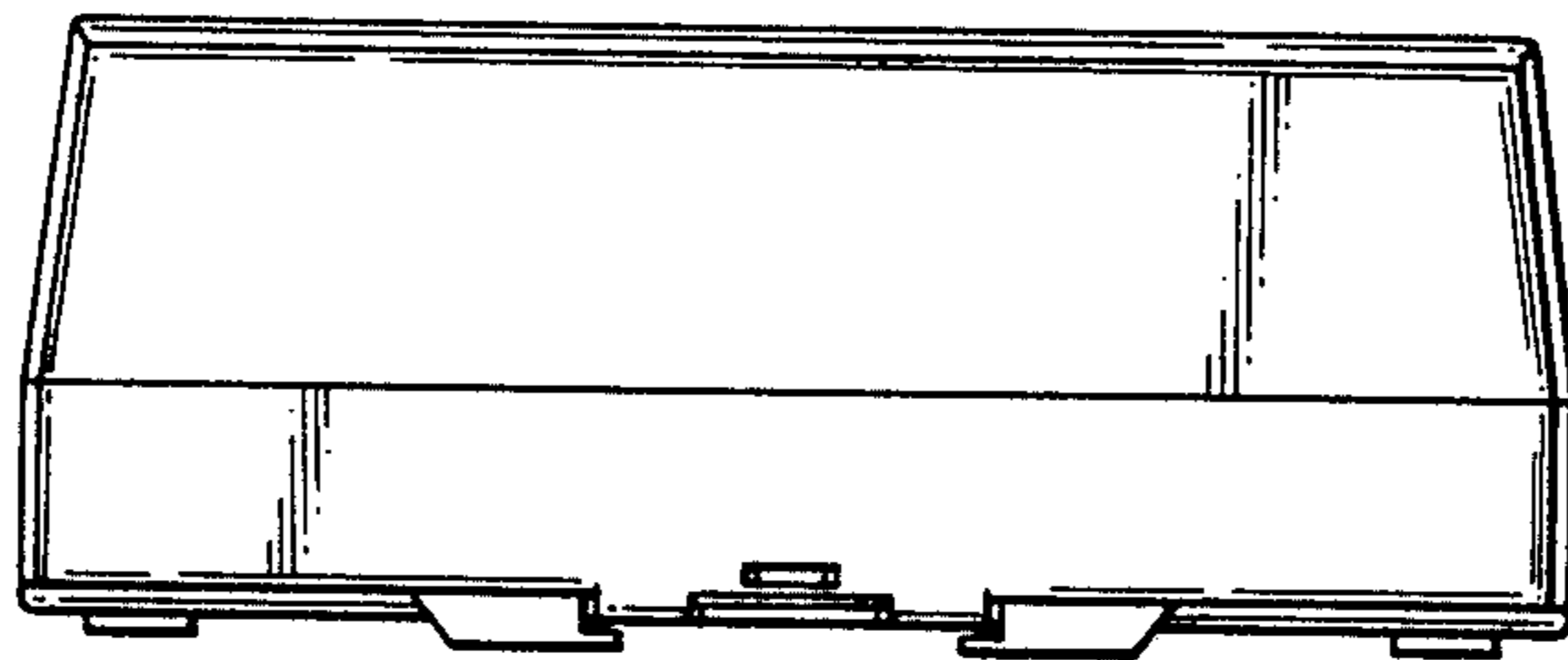
**FIG. 4**



**FIG. 5**



**FIG. 6**



**FIG. 7**

