

# United States Patent [19]

Tanaka

[11] Patent Number: **Des. 279,719**

[45] Date of Patent: **\*\* Jul. 16, 1985**

[54] **ASHTRAY FOR VEHICLES**

[75] Inventor: **Yoshihisa Tanaka, Ichikawa, Japan**

[73] Assignee: **Tanaka Manufacturing Co., Ltd.,  
Tokyo, Japan**

[\*\*] Term: **14 Years**

[21] Appl. No.: **458,859**

[22] Filed: **Jan. 17, 1983**

[52] U.S. Cl. .... **D27/14**

[58] Field of Search ..... **D27/8, 14; 131/231,  
131/235 R, 240, 241, 242; 296/37.9,  
37.11-37.16**

[56] **References Cited**

## U.S. PATENT DOCUMENTS

2,203,960 6/1940 Hickman ..... 131/235 R

3,166,080 1/1965 Neale ..... 131/242 X  
3,347,246 10/1967 Mester ..... 131/242 X

*Primary Examiner*—Catherine E. Kemper

## [57] CLAIM

The ornamental design for ashtray for vehicles, as shown and described.

## DESCRIPTION

FIG. 1 is an upper right perspective view of an ashtray for vehicles, showing my new design;  
FIG. 2 is a front elevational view thereof;  
FIG. 3 is a right side elevational view thereof;  
FIG. 4 is a rear elevational view thereof;  
FIG. 5 is a top plan view thereof;  
FIG. 6 is a bottom plan view thereof;  
FIG. 7 is an upper right perspective view shown with the cover opened.

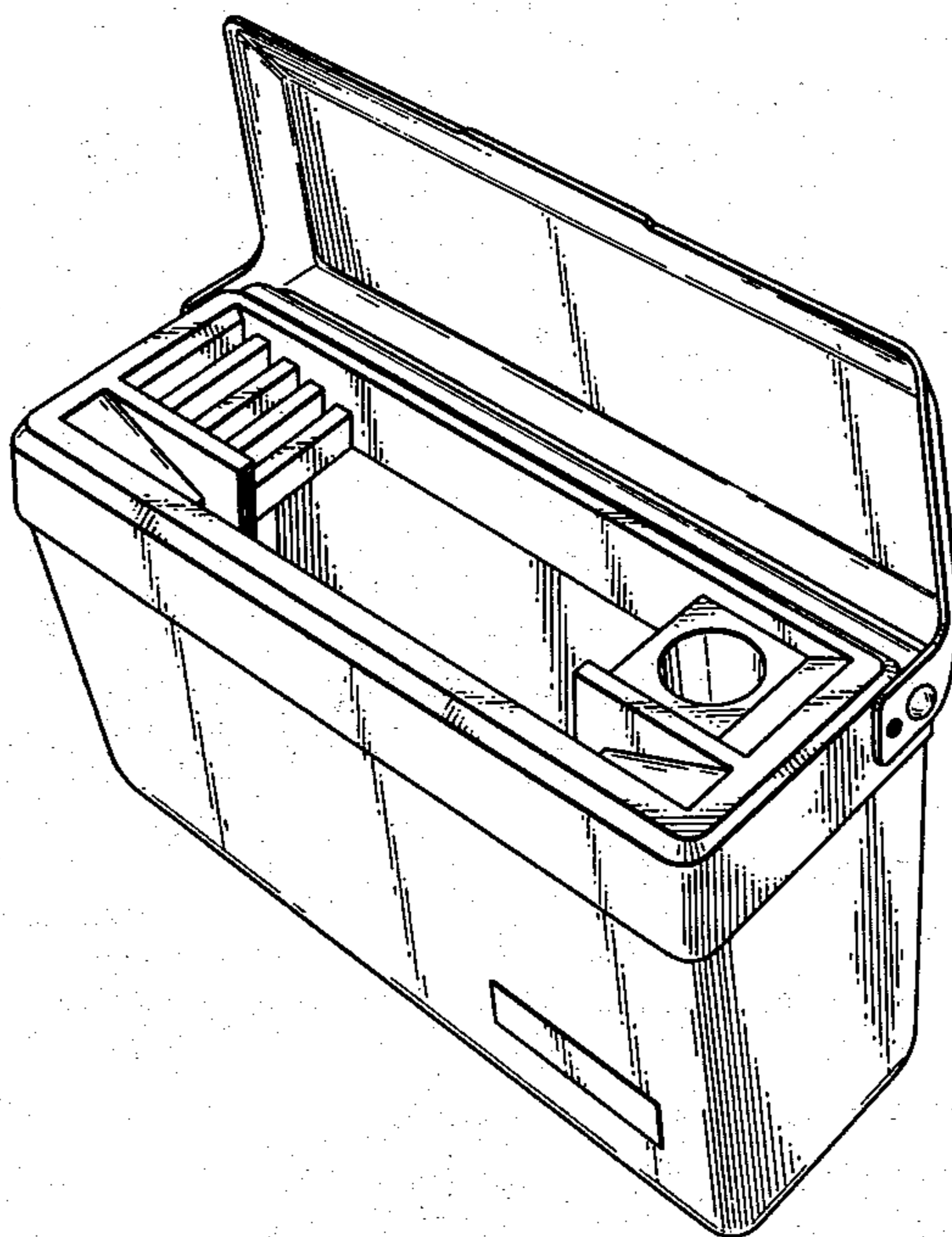


Fig. 1

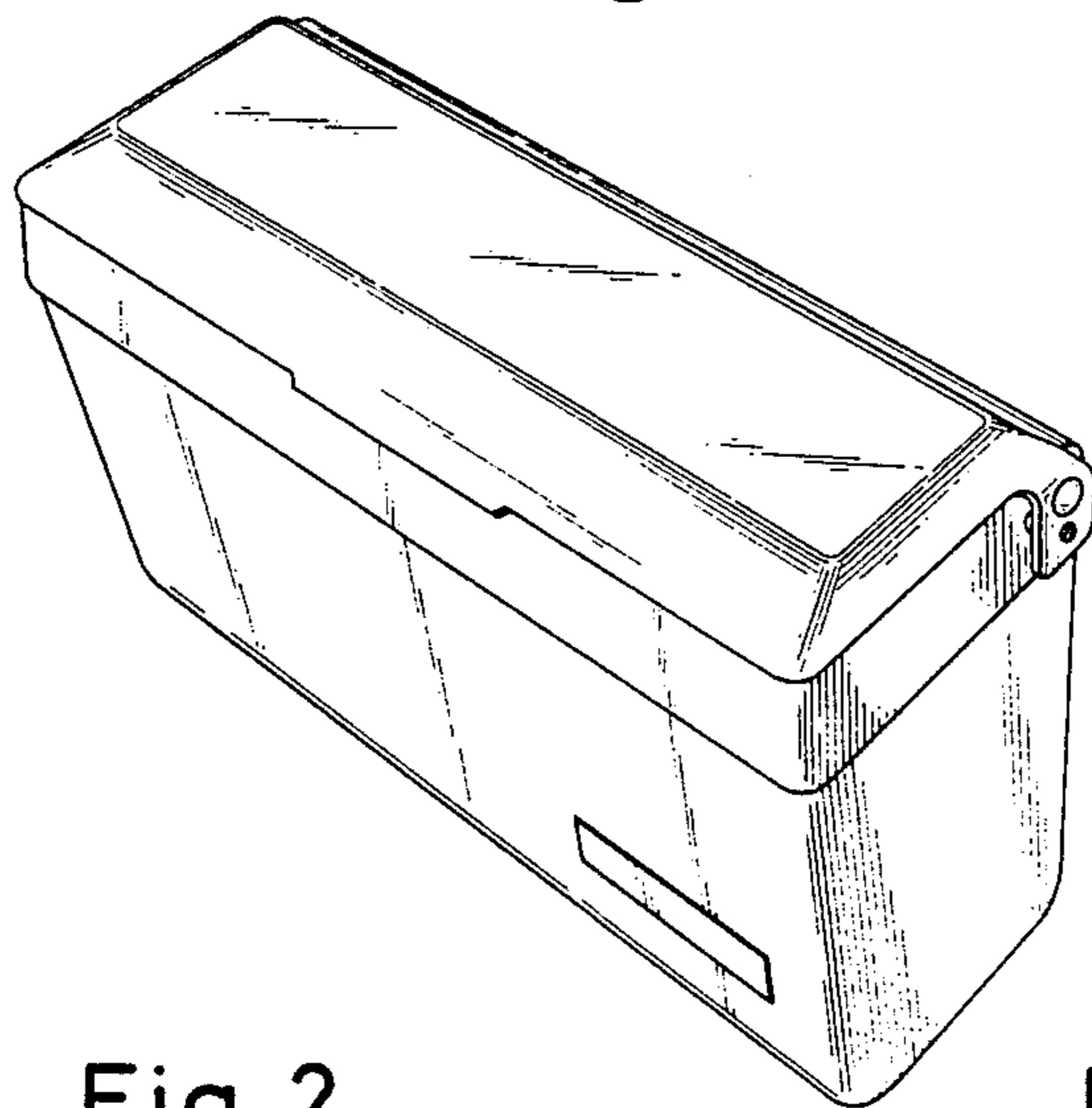


Fig. 2

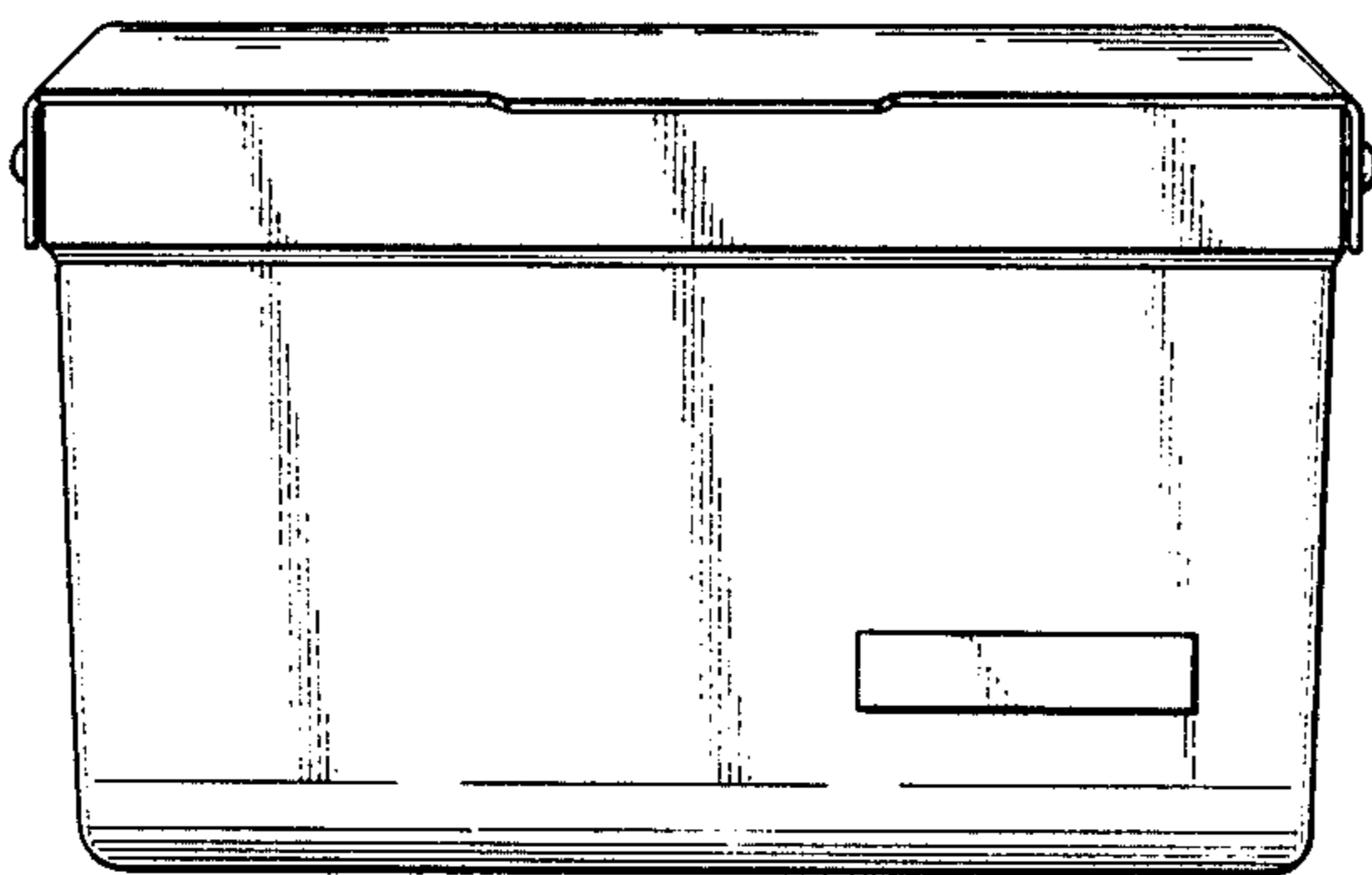


Fig. 3

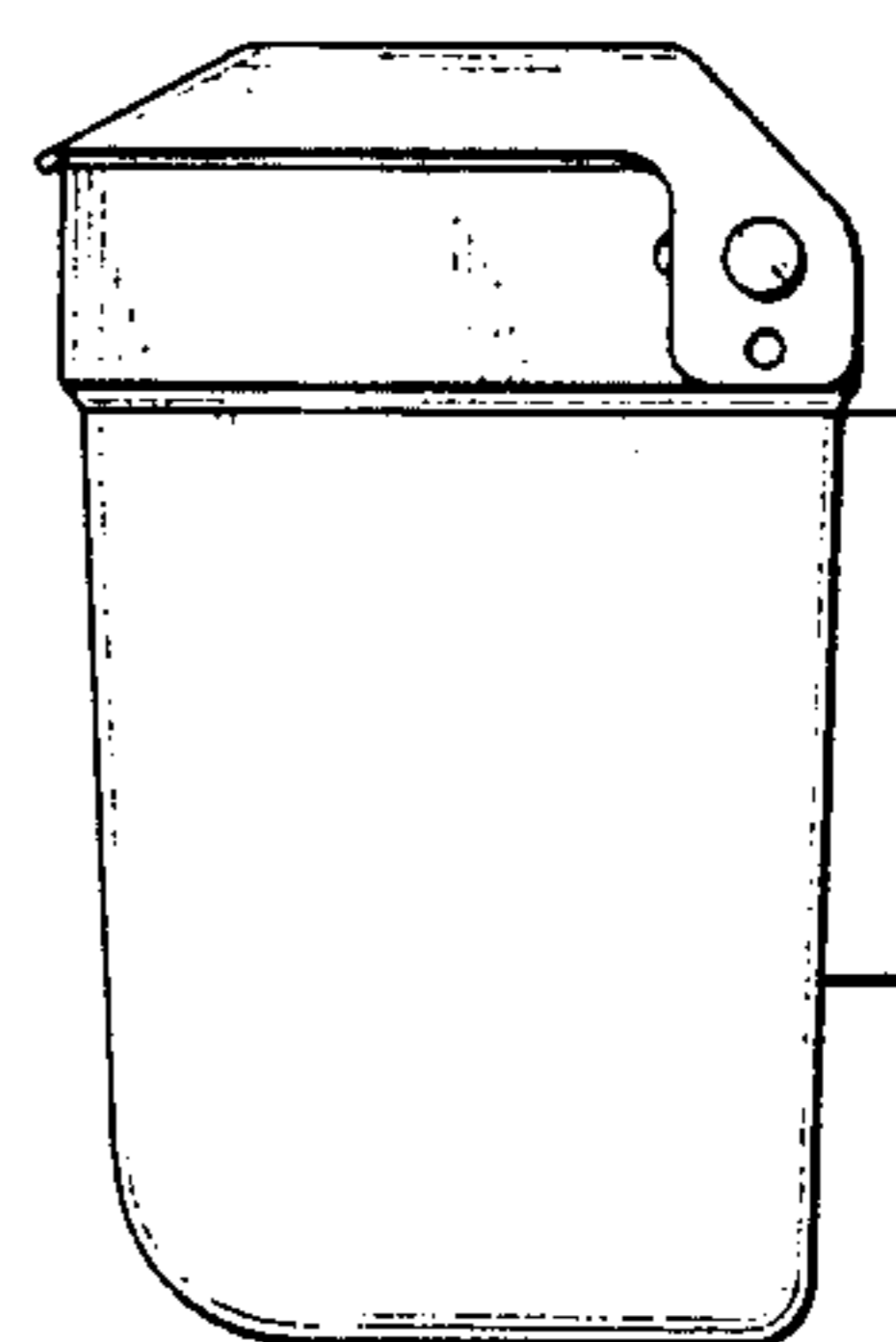


Fig. 4

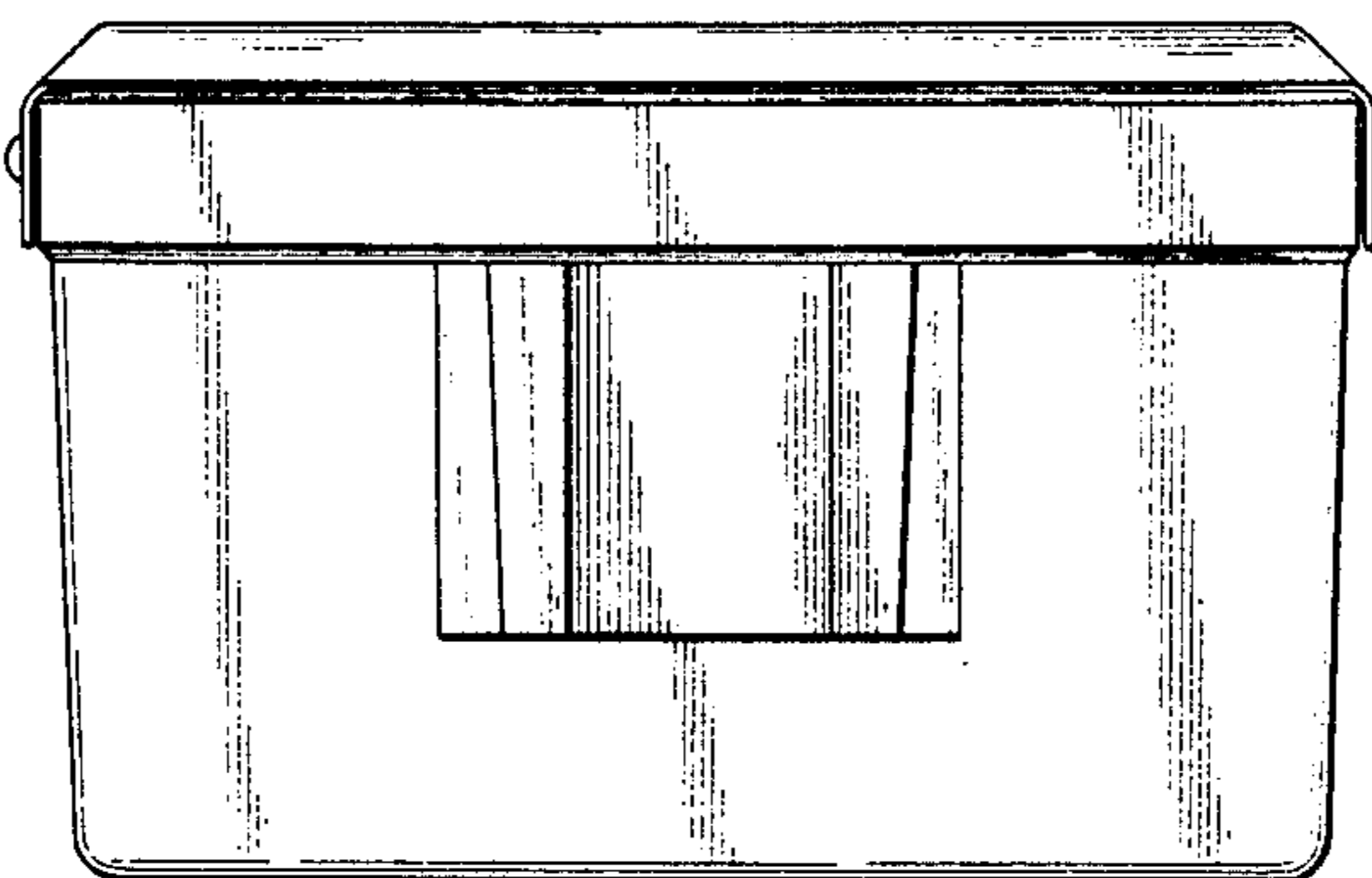


Fig. 5

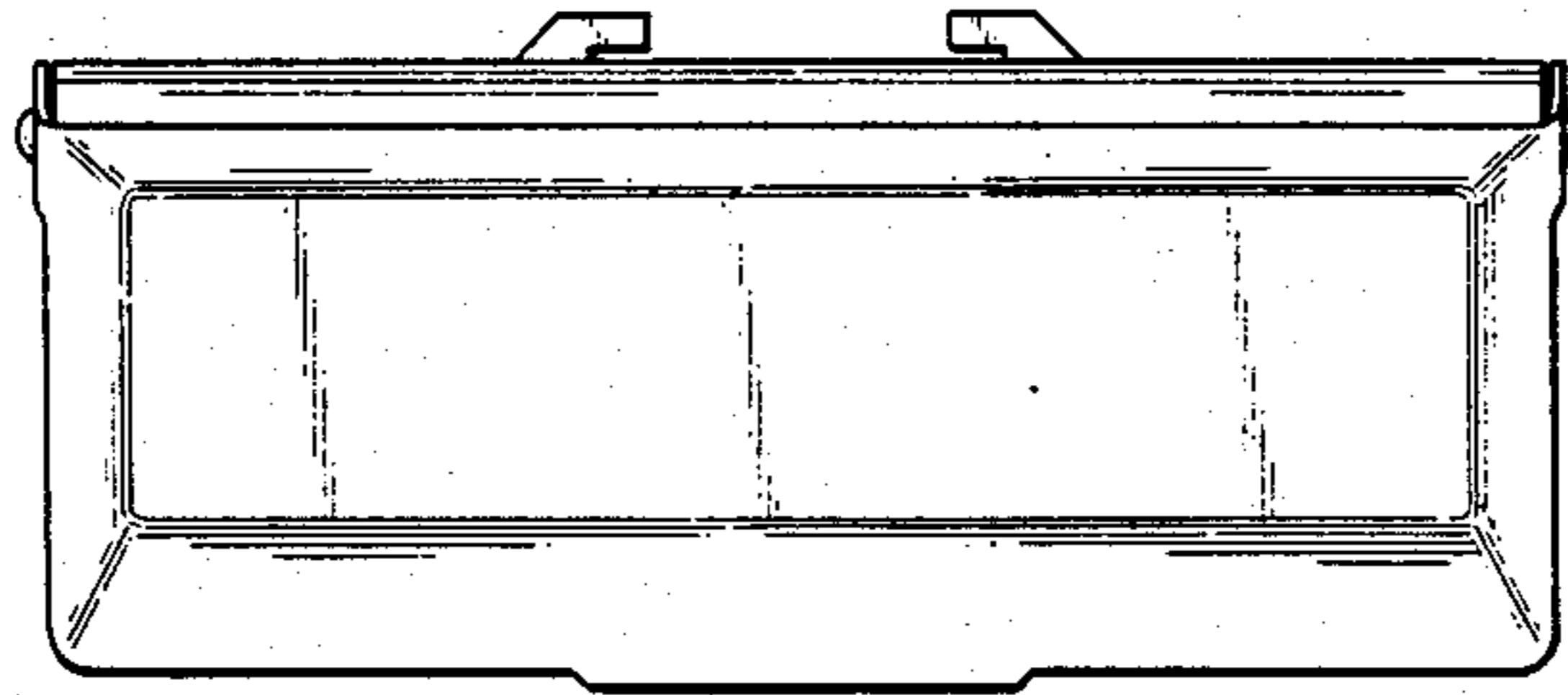


Fig. 6

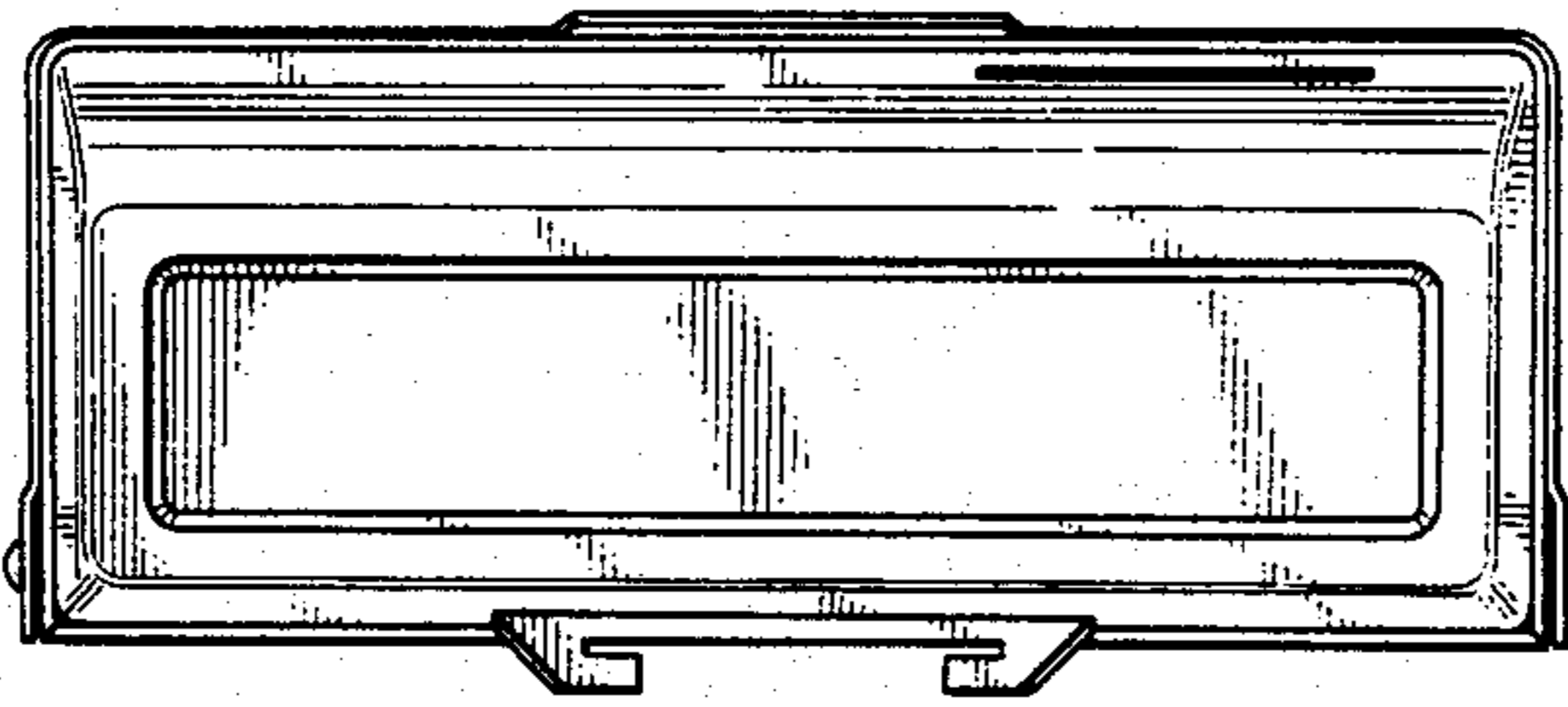


Fig. 7

