

# United States Patent [19]

Daly

[11] Patent Number: **Des. 279,712**

[45] Date of Patent: **\*\* Jul. 16, 1985**

[54] **POOL ACCESS APPARATUS FOR THE DISABLED**

[76] Inventor: **Lewis J. Daly, 5890 Pierson Rd., Fayetteville, N.Y. 13066**

[\*\*] Term: **14 Years**

[21] Appl. No.: **480,012**

[22] Filed: **Mar. 29, 1983**

[52] U.S. Cl. .... **D25/62**

[58] Field of Search ..... **D25/2, 62, 63, 64, 65, D25/66, 67; 4/496, 504, 506, 511, 513; 52/169 R; D21/245**

[56] **References Cited**

**U.S. PATENT DOCUMENTS**

D. 161,791 1/1951 Schilling ..... **D21/245 X**

D. 234,503 3/1975 Ahrens ..... **D25/2**  
3,578,110 5/1971 Seagraves ..... **D25/63 X**

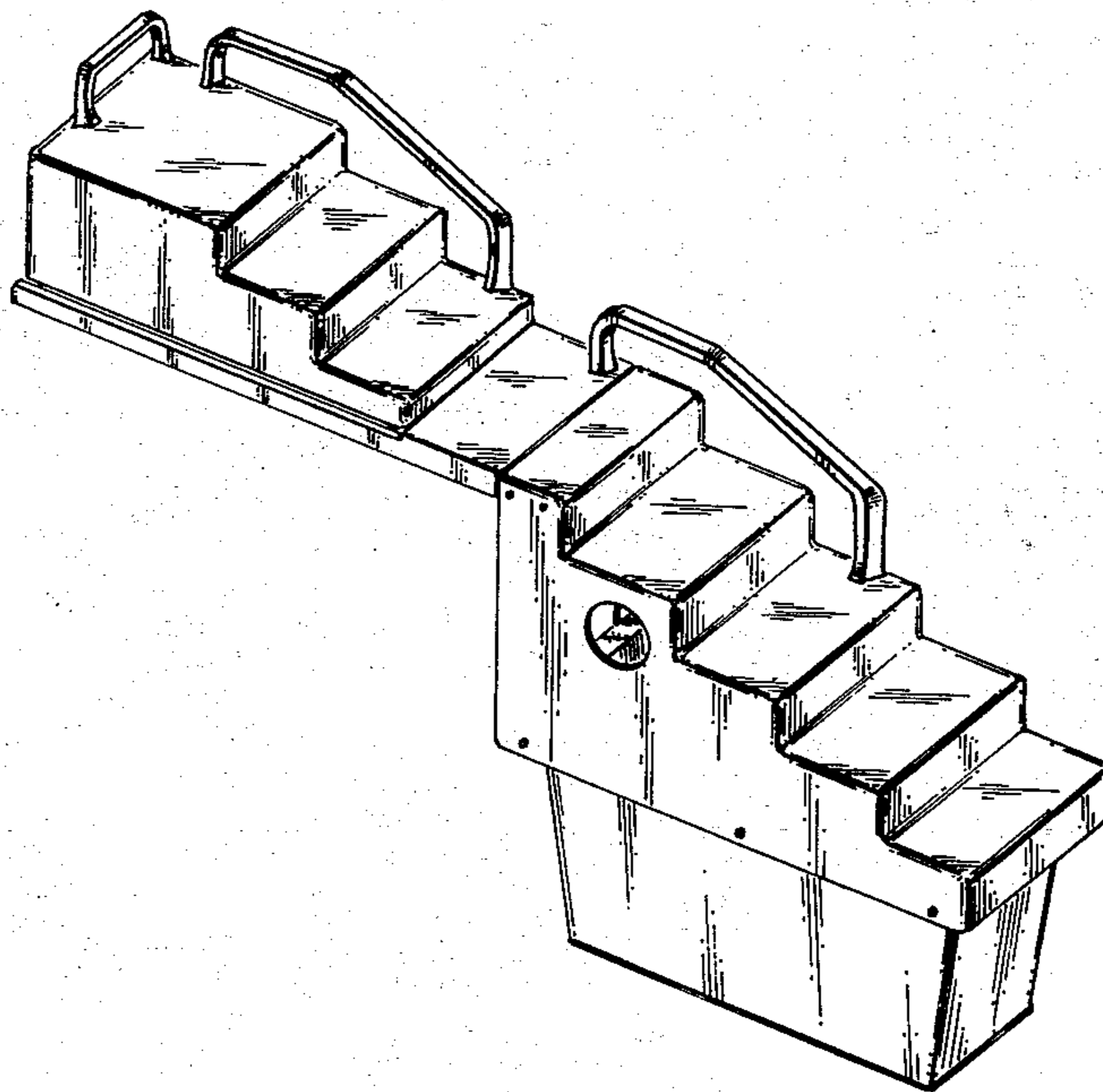
*Primary Examiner*—A. Hugo Word  
*Attorney, Agent, or Firm*—Bruns & Wall

[57] **CLAIM**

The ornamental design for a pool access apparatus for the disabled, as shown and described.

**DESCRIPTION**

FIG. 1 is a perspective view of a pool access apparatus for the disabled embodying my new design; FIG. 2 is a front elevation thereof; FIG. 3 is a rear elevation thereof; FIG. 4 is a top plan view thereof; FIG. 5 is a bottom plan view thereof; FIG. 6 is a left side elevation thereof; and FIG. 7 is a right side elevation thereof.



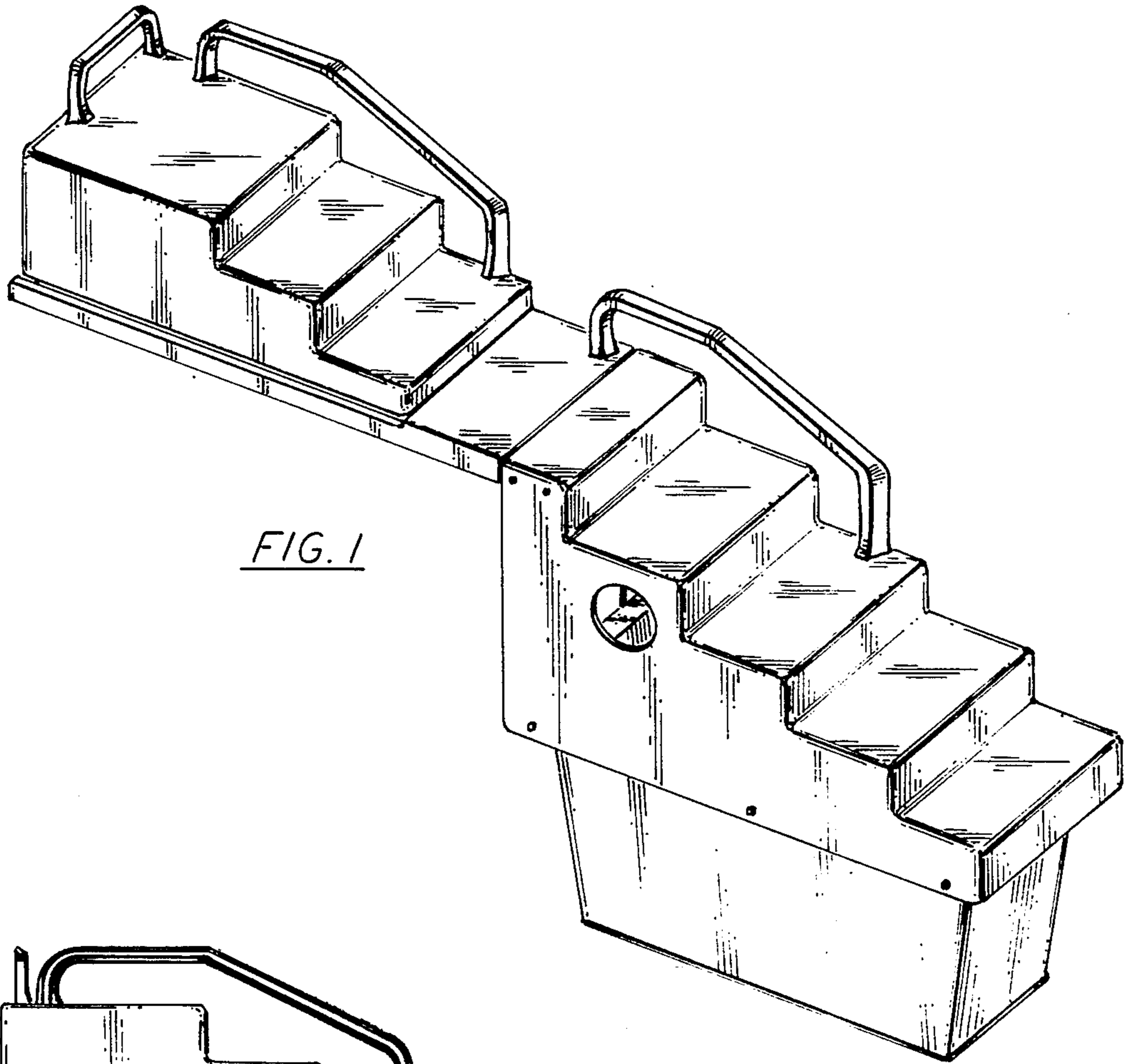


FIG. 1

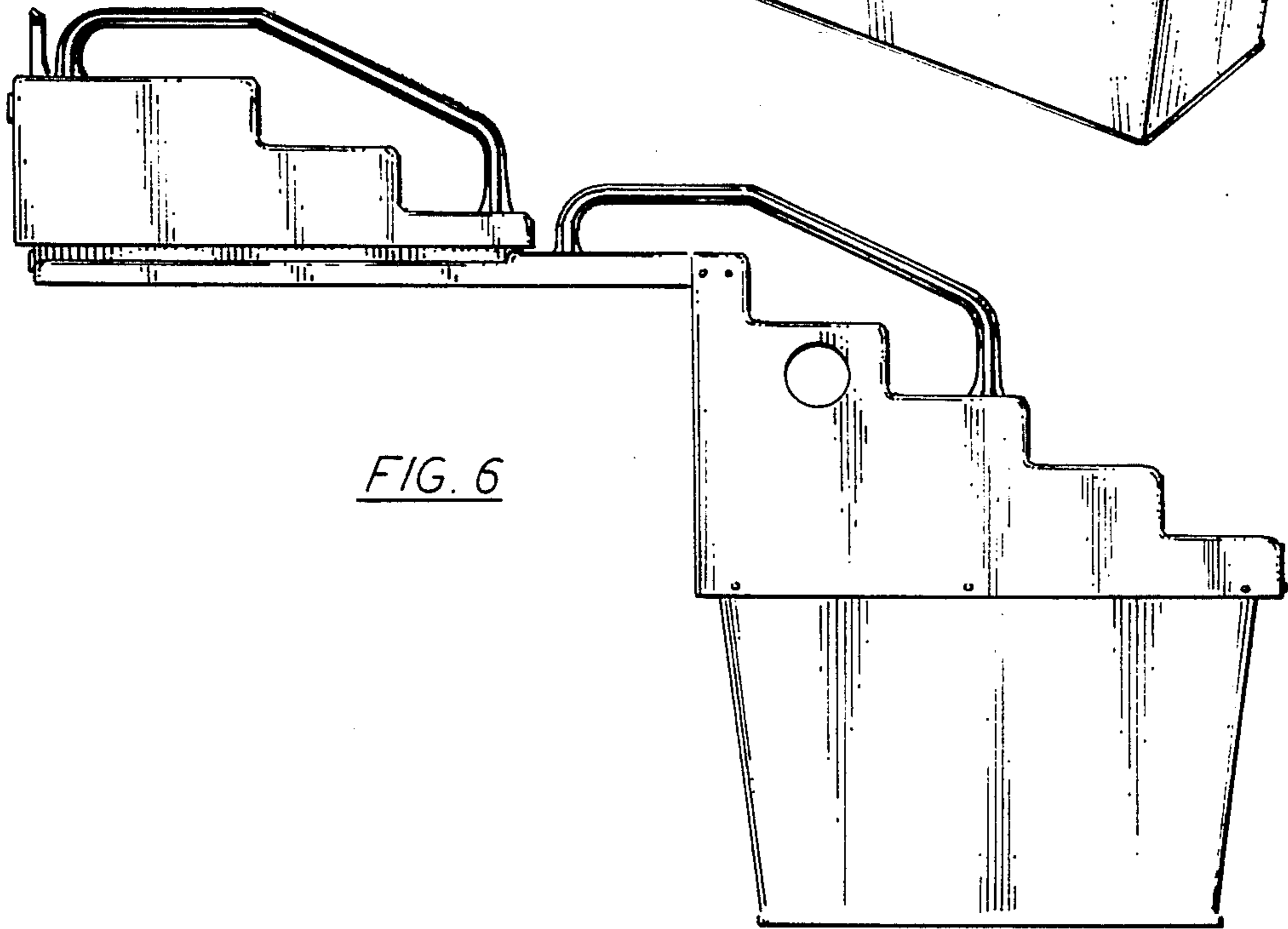


FIG. 6

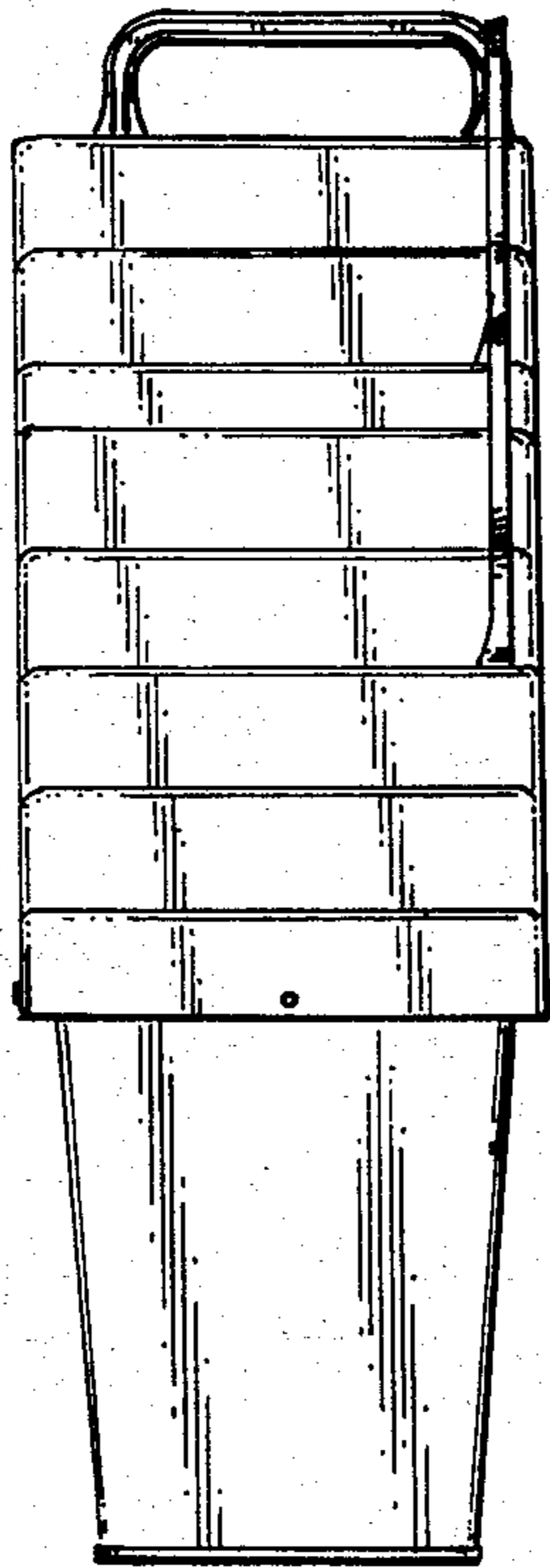


FIG. 2

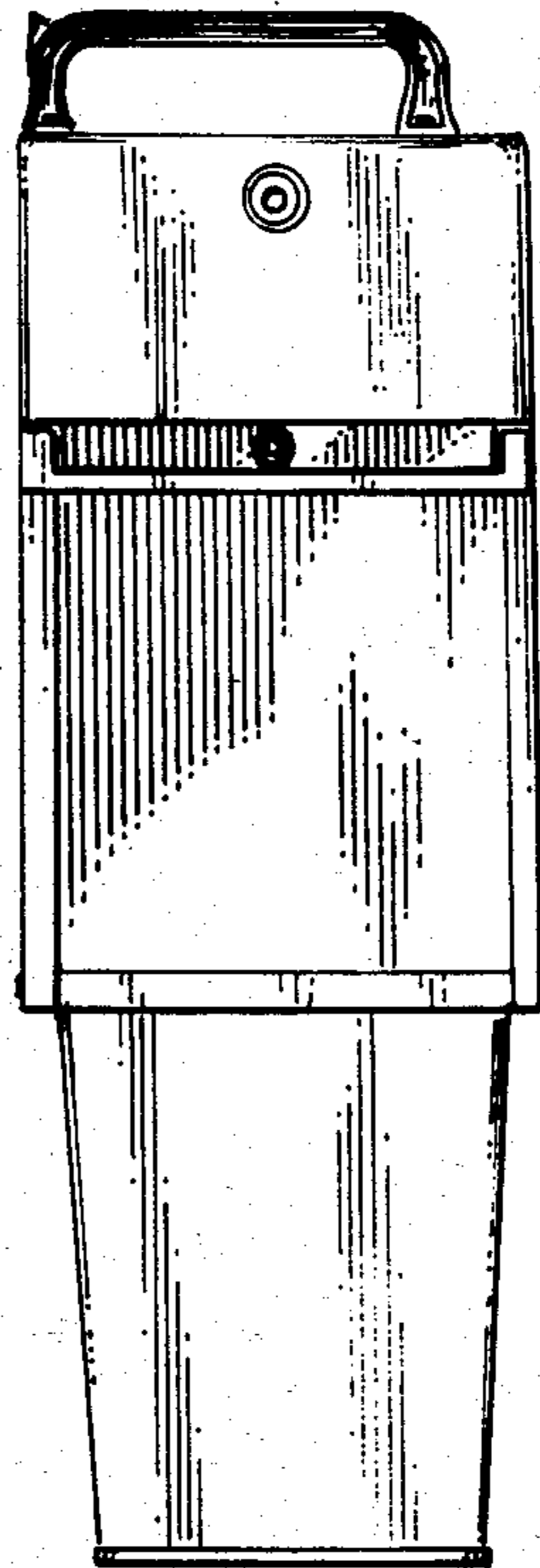


FIG. 3

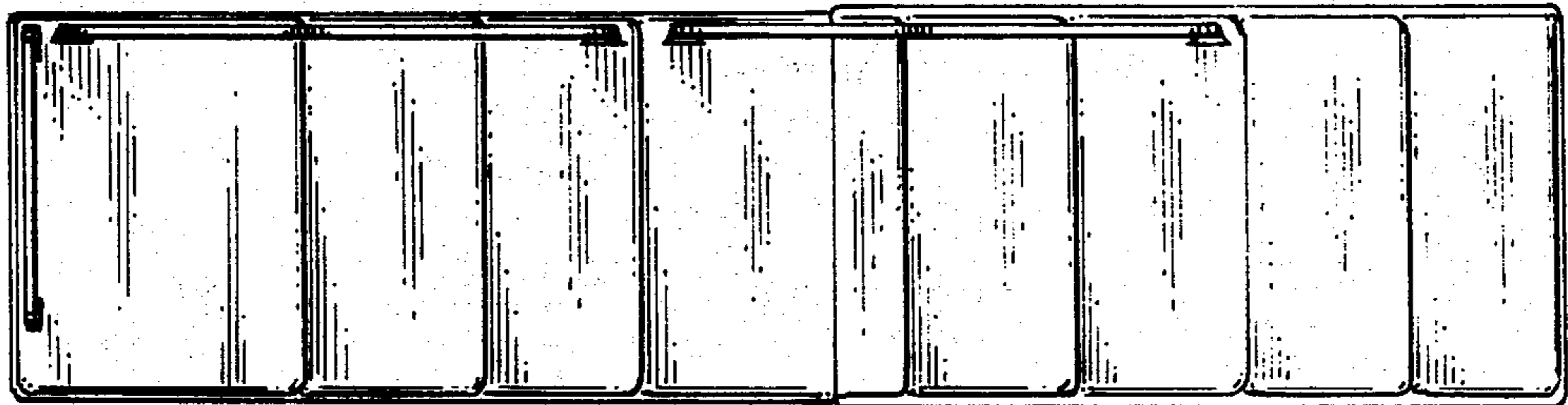


FIG. 4

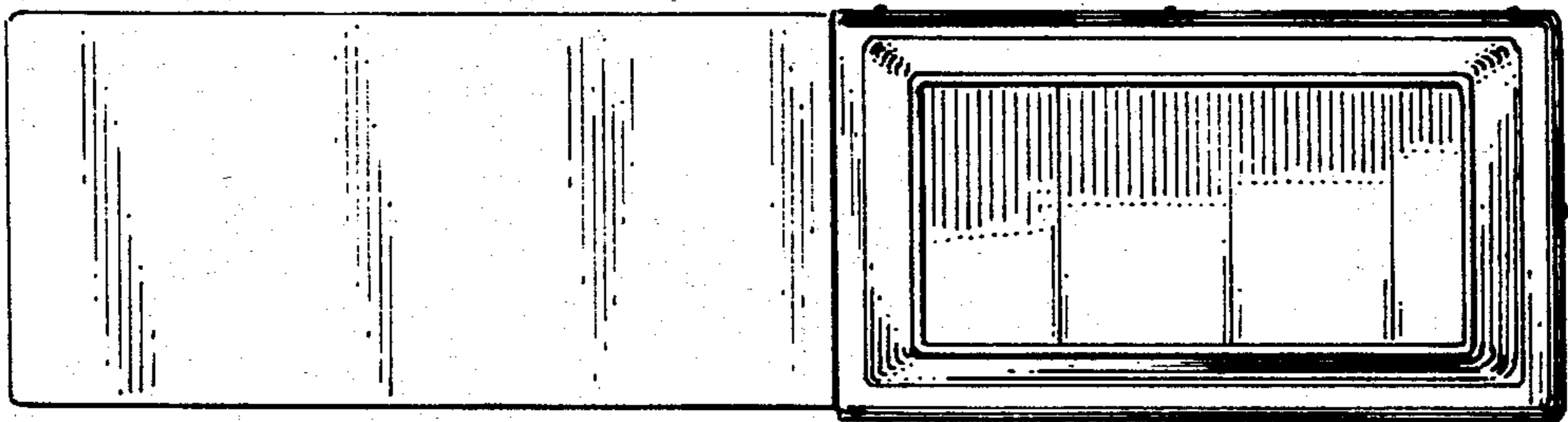


FIG. 5

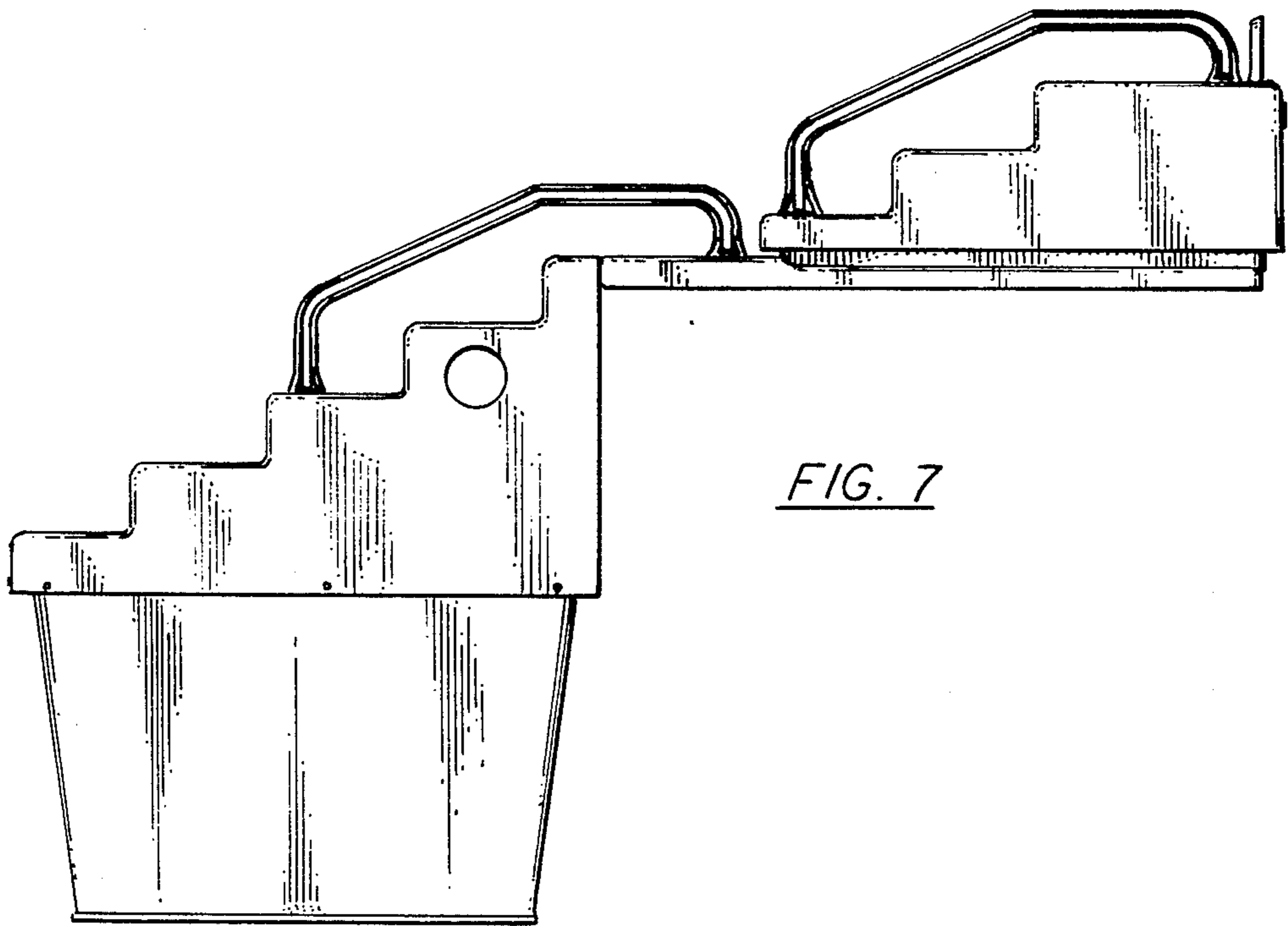


FIG. 7