

[54] ARTIFICIAL LUNG WITH A BUILT-IN HEAT EXCHANGER

[75] Inventor: Masaru Wada, Wako, Japan

[73] Assignee: Terumo Corporation, Tokyo, Japan

[\*\*] Term: 14 Years

[21] Appl. No.: 450,739

[22] Filed: Dec. 17, 1982

[52] U.S. Cl. .... D24/8

[58] Field of Search ..... D24/8, 21; 128/28, 399, 128/400, DIG. 3; 422/46, 165

[56] References Cited

U.S. PATENT DOCUMENTS

D. 260,813	9/1981	Geel	.....	D24/21
4,047,563	9/1977	Kurata	.....	128/400 X
4,188,360	2/1980	Kurata	.....	422/46
4,374,802	2/1983	Fukasawa	.....	128/DIG. 3 X
4,376,095	3/1983	Hasegawa	.....	128/DIG. 3 X

FOREIGN PATENT DOCUMENTS

1455583 11/1976 United Kingdom ..... 128/205.16

Primary Examiner—A. Hugo Word  
Assistant Examiner—Stella Reid  
Attorney, Agent, or Firm—Frishauf, Holtz, Goodman & Woodward

[57] CLAIM

The ornamental design for an artificial lung with a built-in heat exchanger, substantially as shown and described.

DESCRIPTION

FIG. 1 is a perspective view of an artificial lung with a built-in heat exchanger showing my new design;  
FIG. 2 is a front view thereof;  
FIG. 3 is a top plan view thereof;  
FIG. 4 is a bottom plan view thereof;  
FIG. 5 is a right side view thereof;  
FIG. 6 is a left side view thereof;  
FIG. 7 is a sectional view thereof taken along the line 7—7 in FIG. 2; and  
FIG. 8 is a sectional view thereof taken along the line 8—8 in FIG. 3.

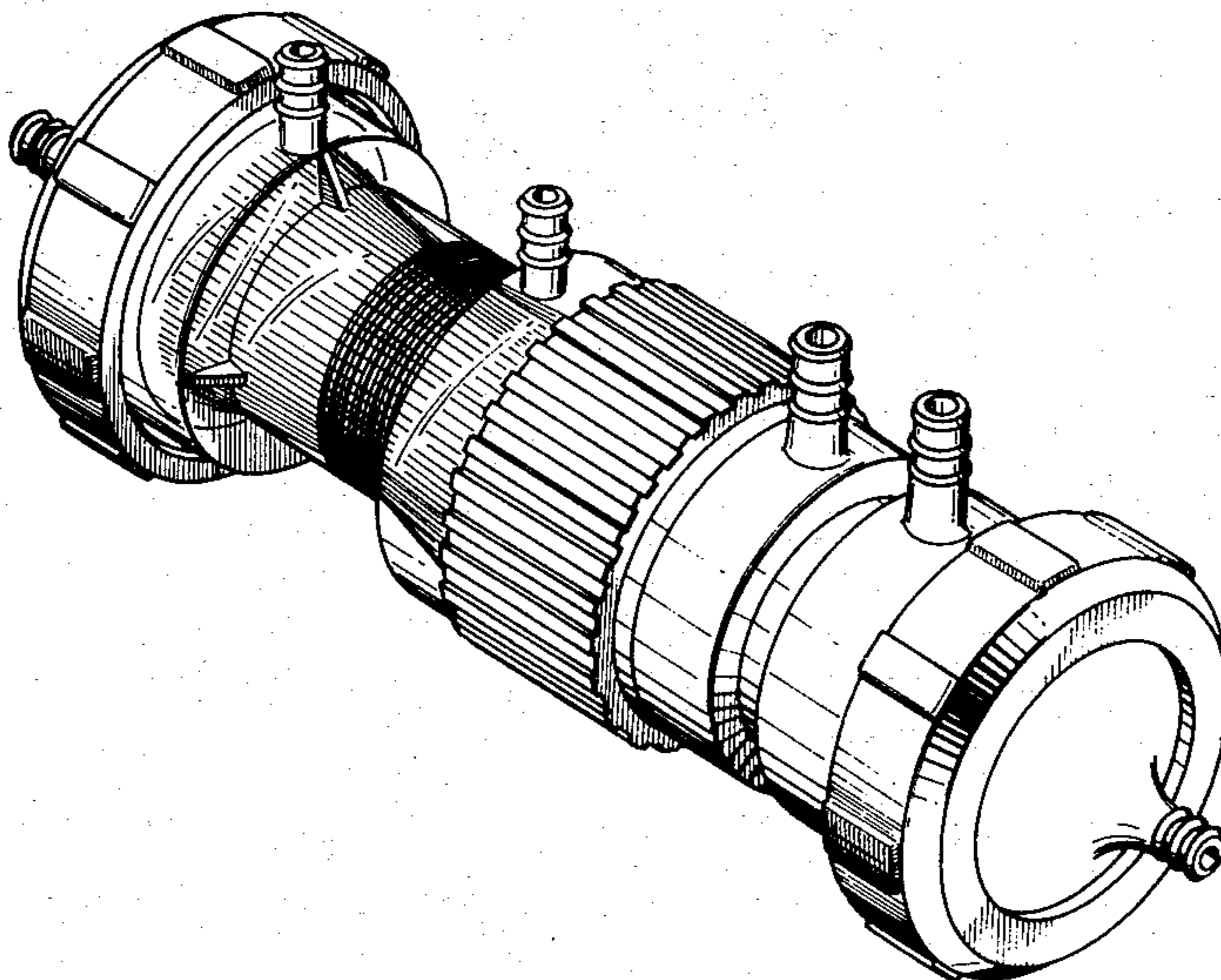


FIG. 1

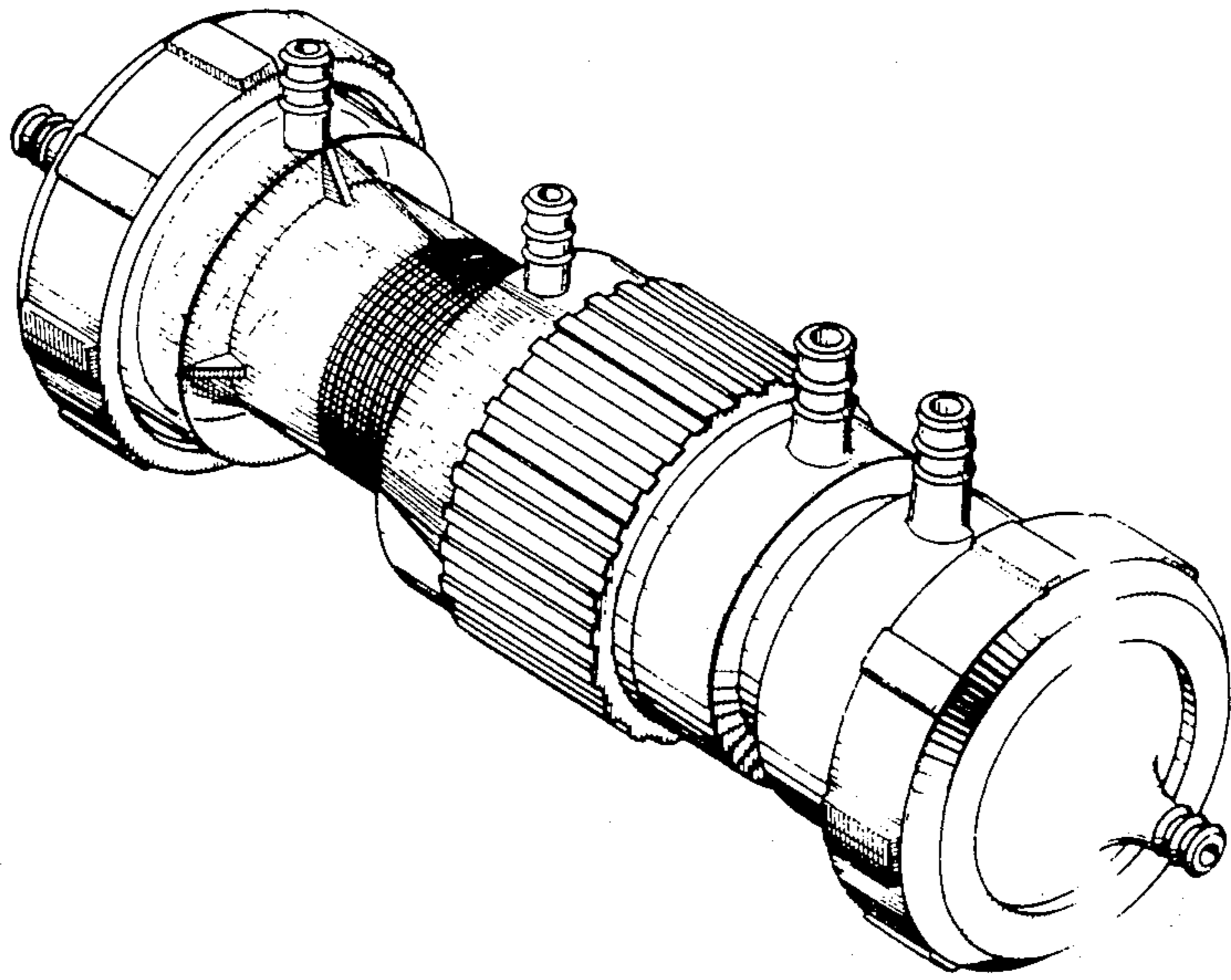


FIG. 2

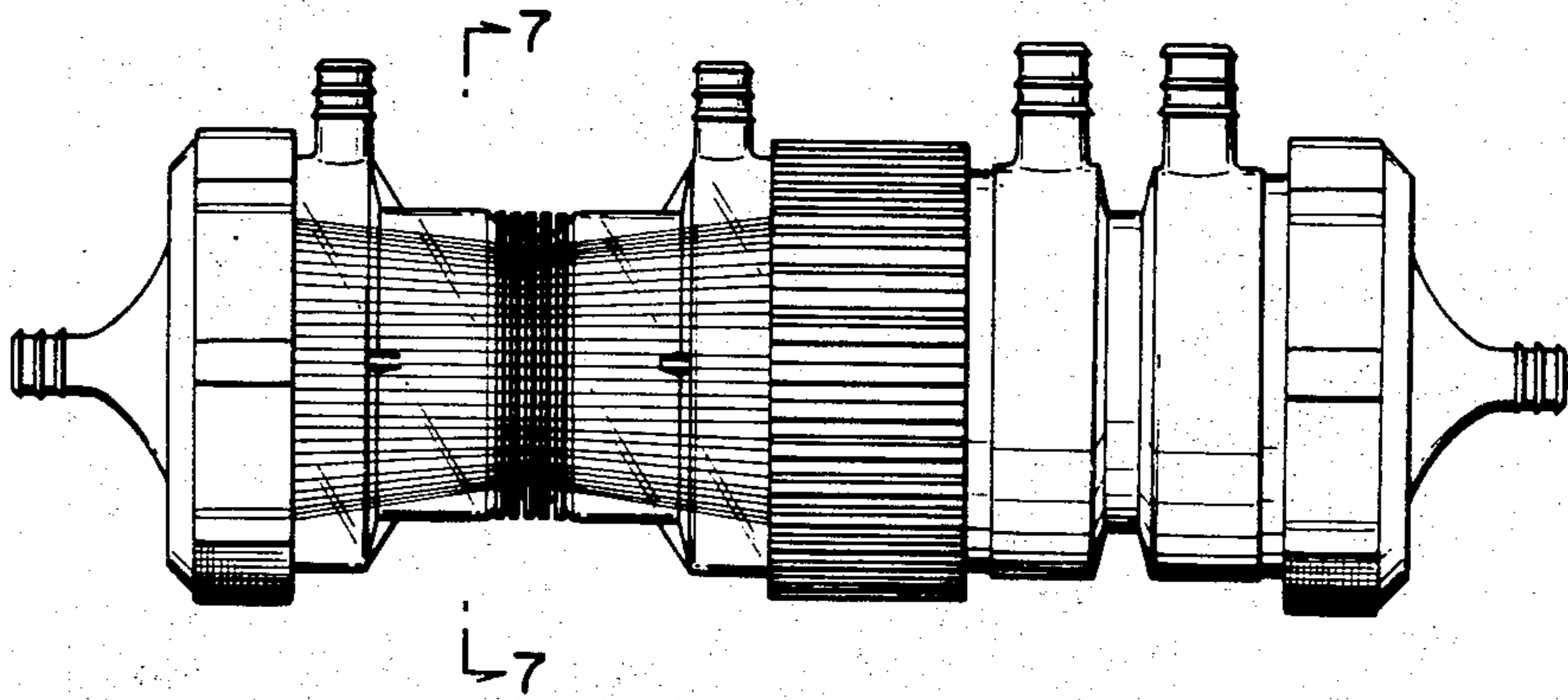


FIG. 3

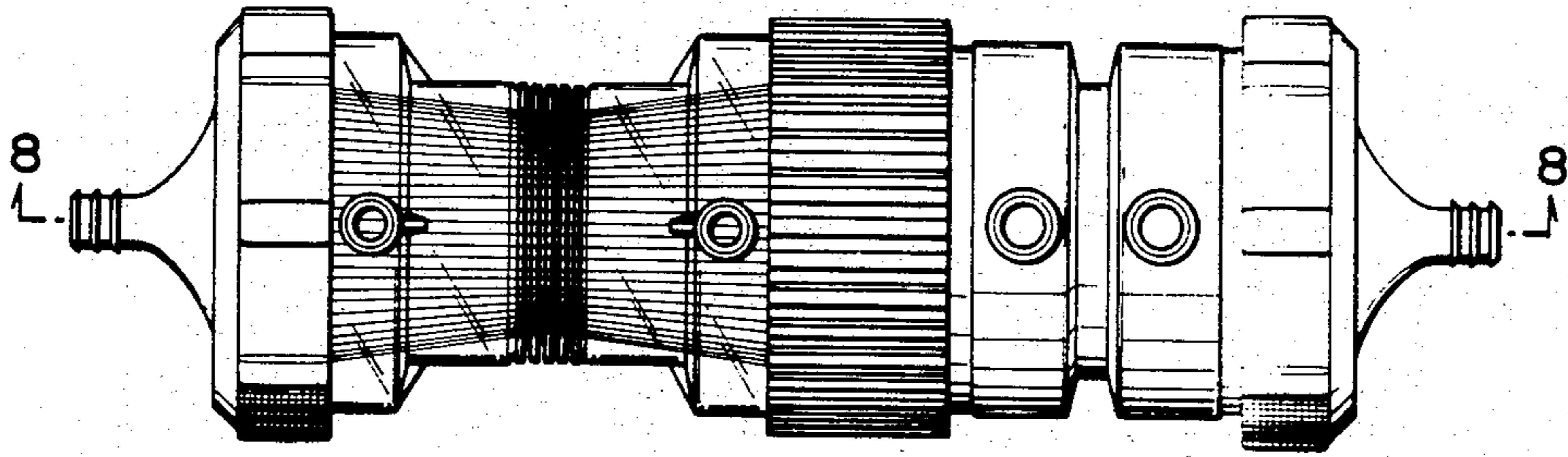


FIG. 4

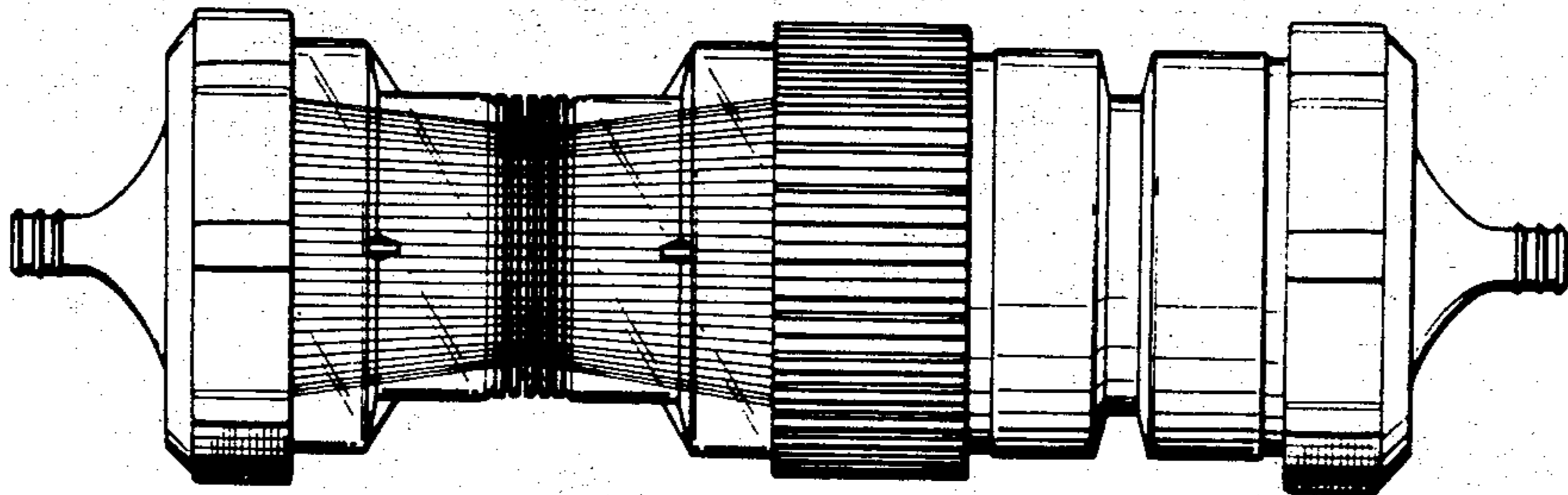




FIG. 5

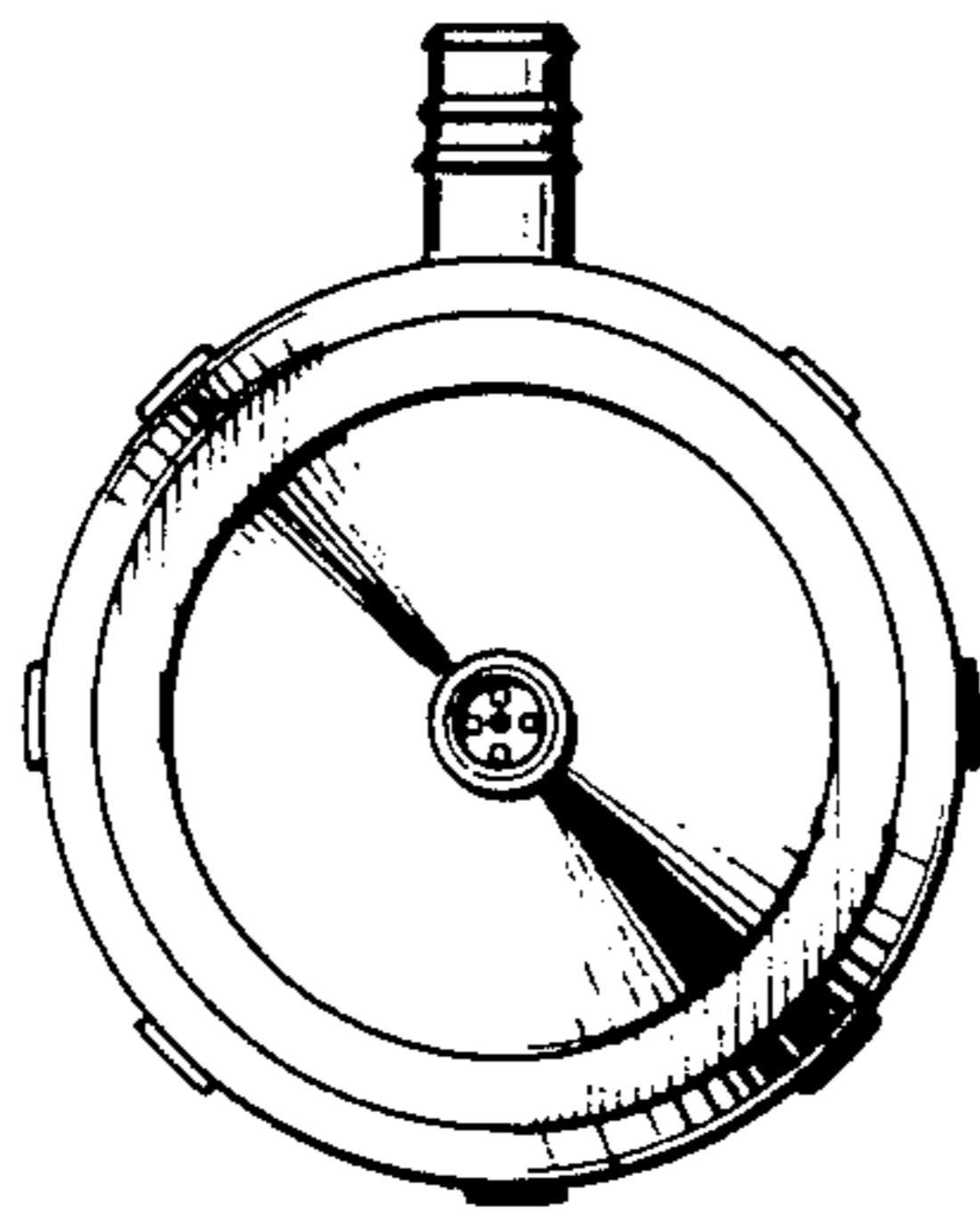


FIG. 6

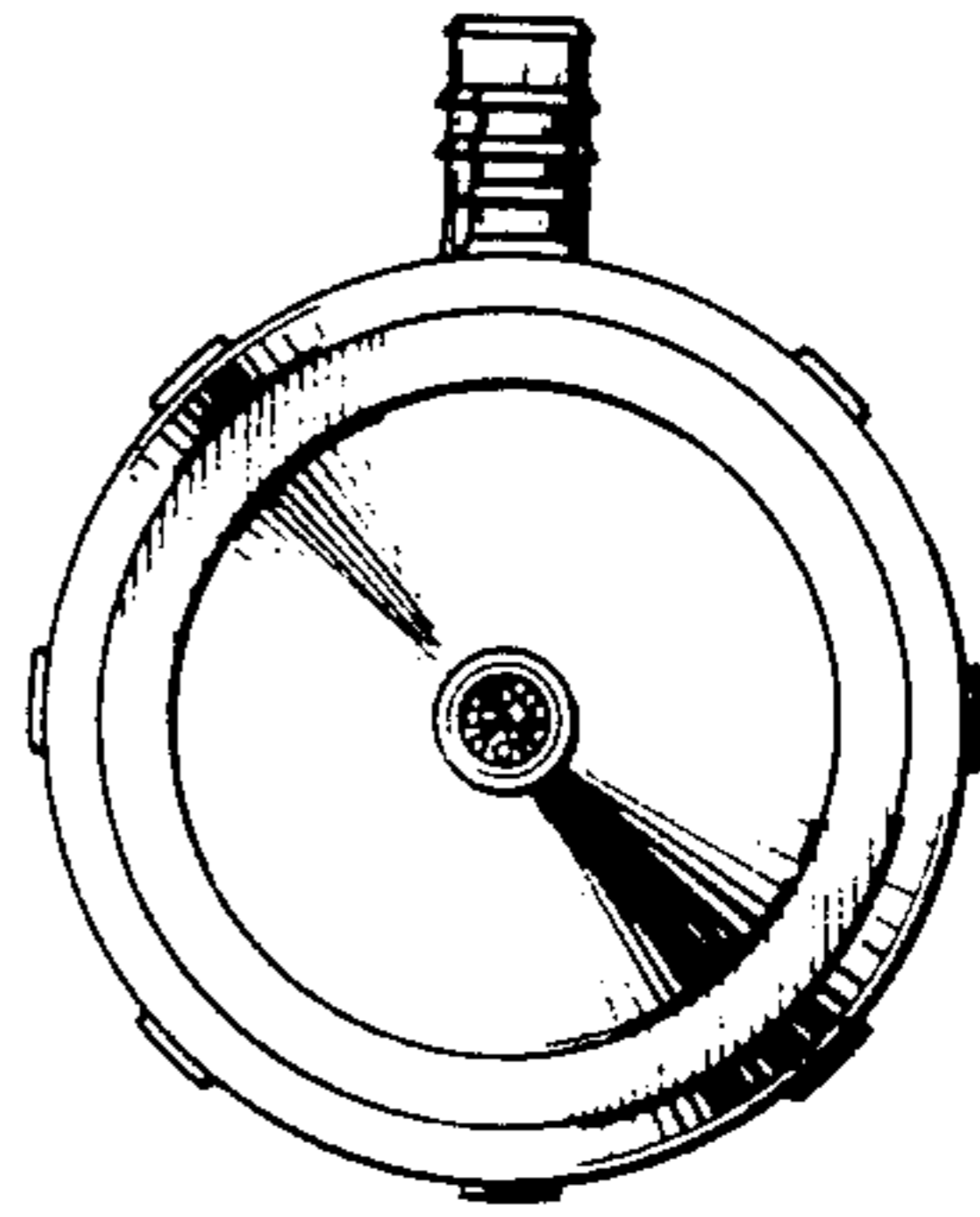


FIG. 7

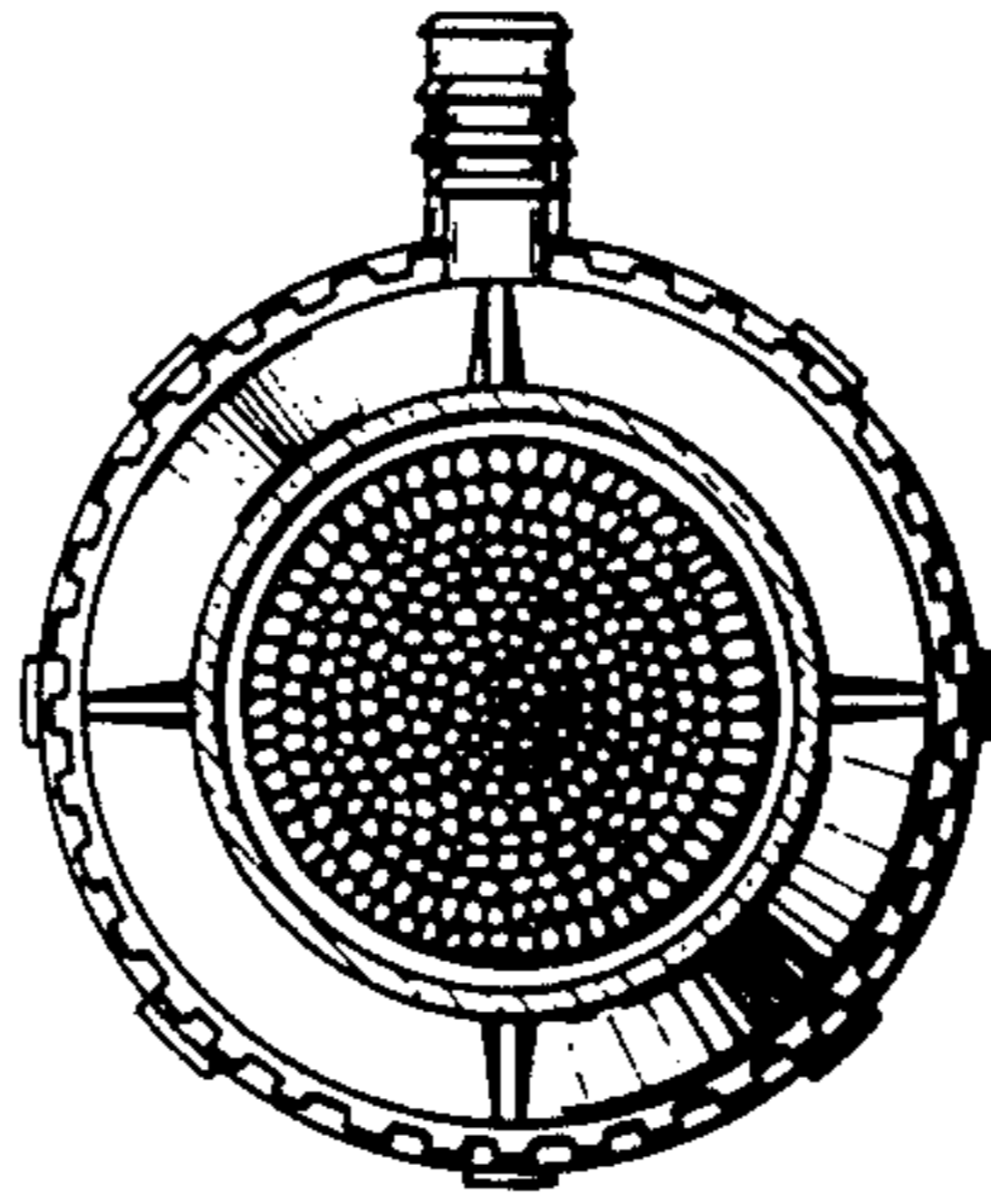


FIG. 8

