

United States Patent [19]

Tofte

[11] Patent Number: **Des. 279,704**

[45] Date of Patent: **** Jul. 16, 1985**

[54] **HEAT EXCHANGER**

[76] Inventor: **David S. Tofte**, P.O. Box 264, St. Clair, Minn. 56080

[**] Term: **14 Years**

[21] Appl. No.: **389,162**

[22] Filed: **Jun. 17, 1982**

[52] U.S. Cl. **D23/136**

[58] Field of Search **D23/136; 165/141**

[56] **References Cited**

U.S. PATENT DOCUMENTS

D. 273,324	4/1984	Brownlee	D23/136
2,499,384	3/1950	Holm et al.	165/141 X
2,521,369	9/1950	Holm et al.	165/141
3,438,742	4/1969	Grunewald et al.	165/141 X

3,825,063 7/1974 Cowans 165/141 X
3,907,028 9/1975 Lawson 165/141 X

Primary Examiner—Catherine E. Kemper
Attorney, Agent, or Firm—Burd, Bartz & Gutenkauf

[57] **CLAIM**

The ornamental design for a heat exchanger, substantially as shown and described.

DESCRIPTION

FIG. 1 is a perspective view of the heat exchanger showing my new design;

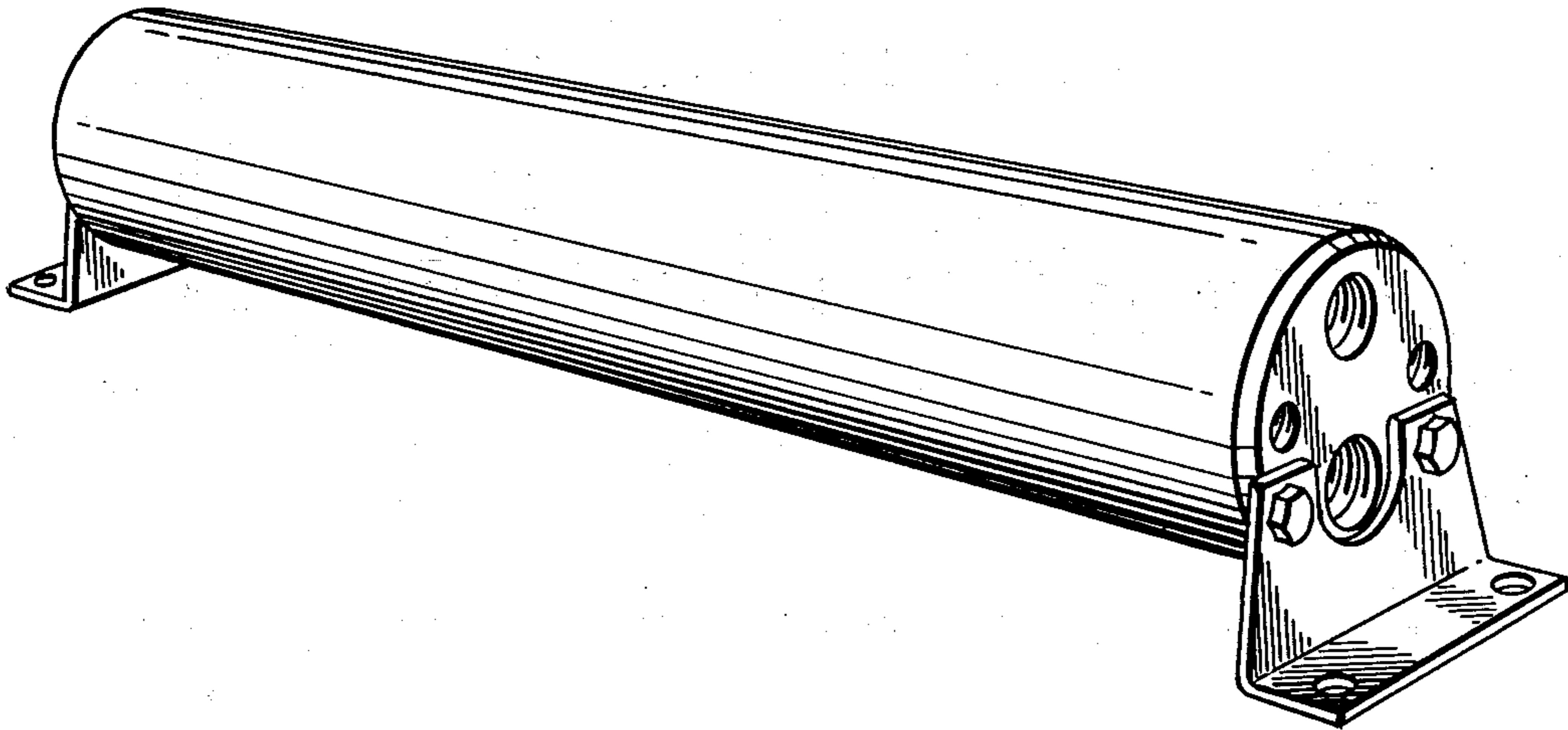
FIG. 2 is a top plan view thereof;

FIG. 3 is an elevational view of the side opposite that shown in FIG. 1;

FIG. 4 is a bottom plan view thereof;

FIG. 5 is a left end elevational view thereof; and

FIG. 6 is a right end elevational view thereof.



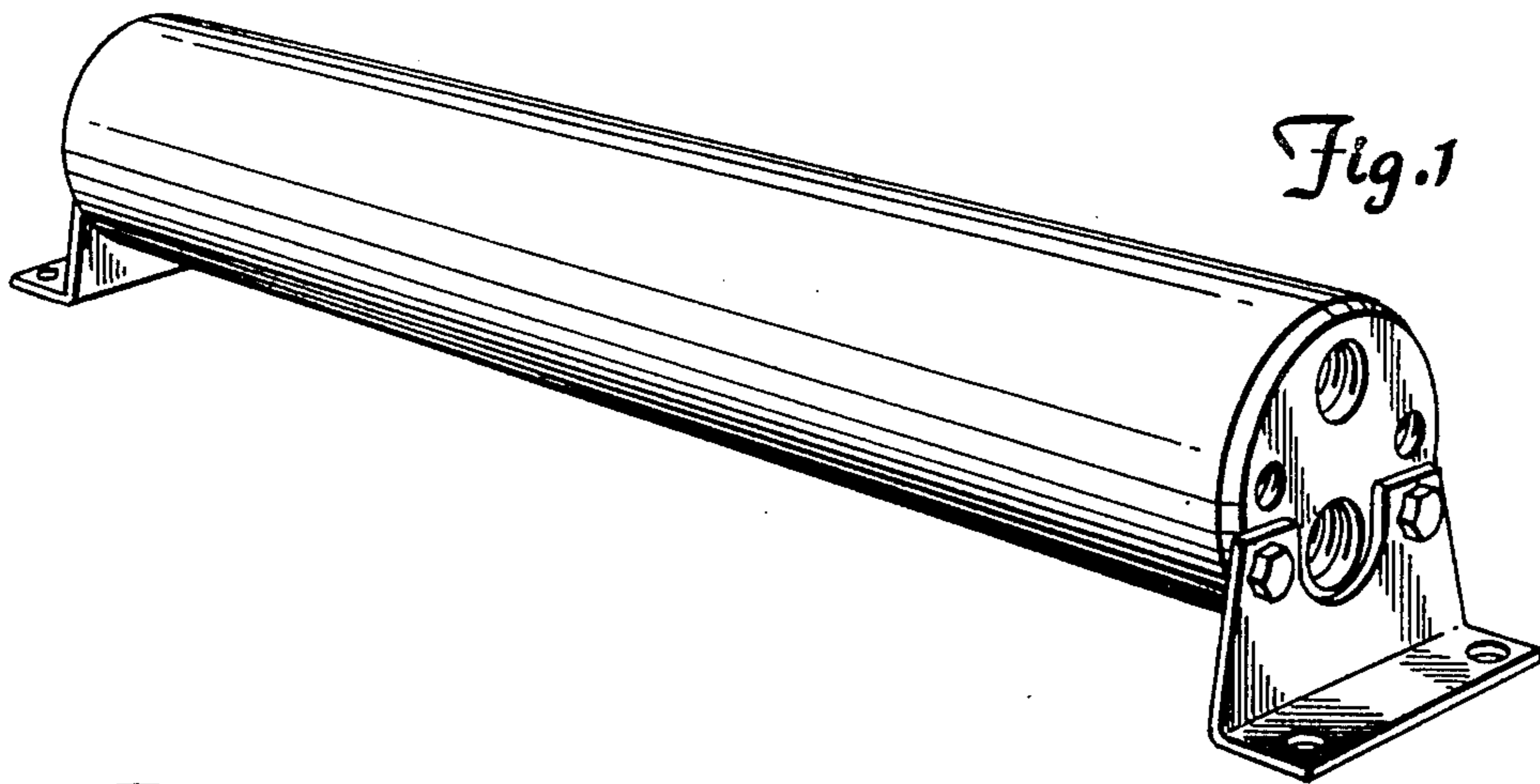


Fig. 2

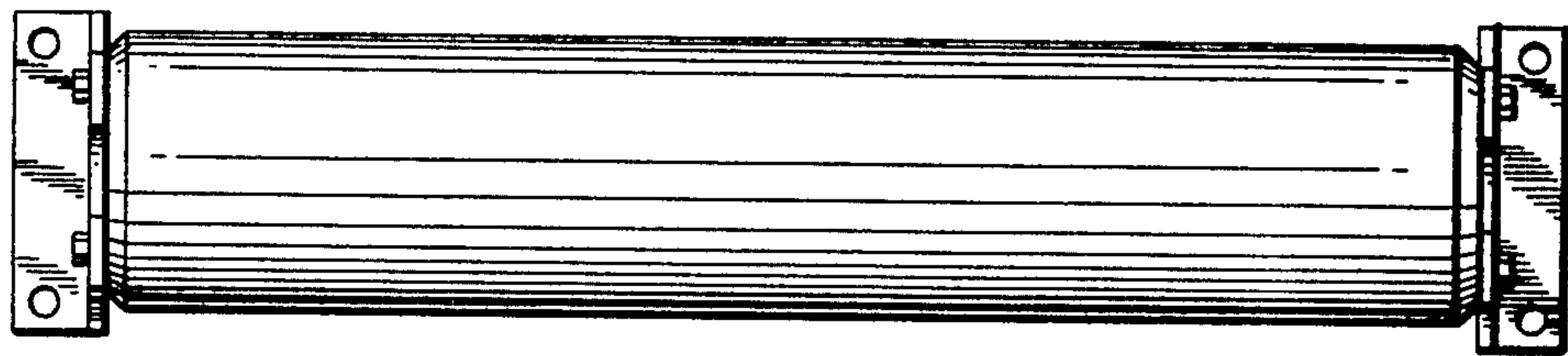


Fig. 3

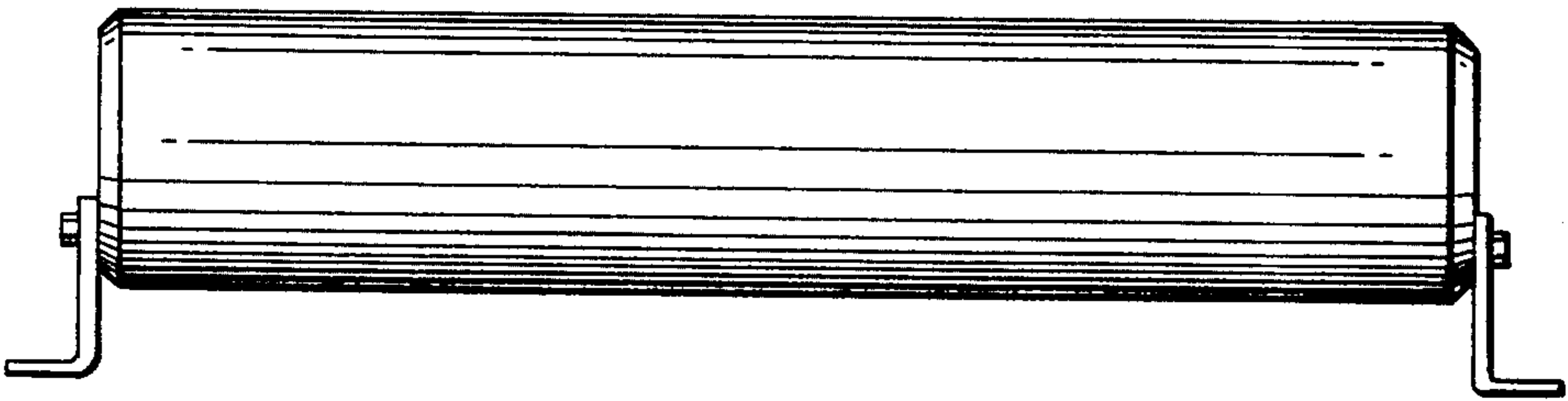


Fig. 4

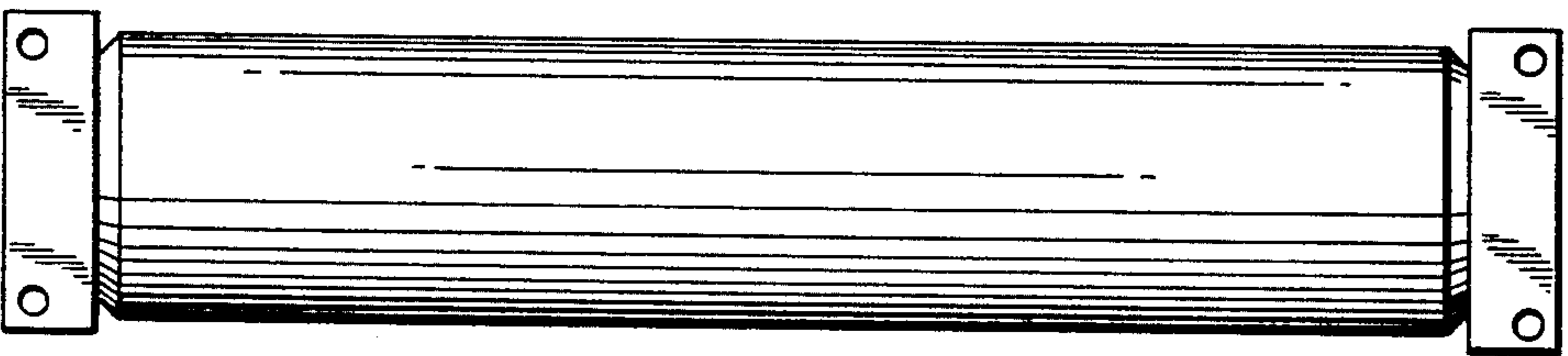


Fig. 5

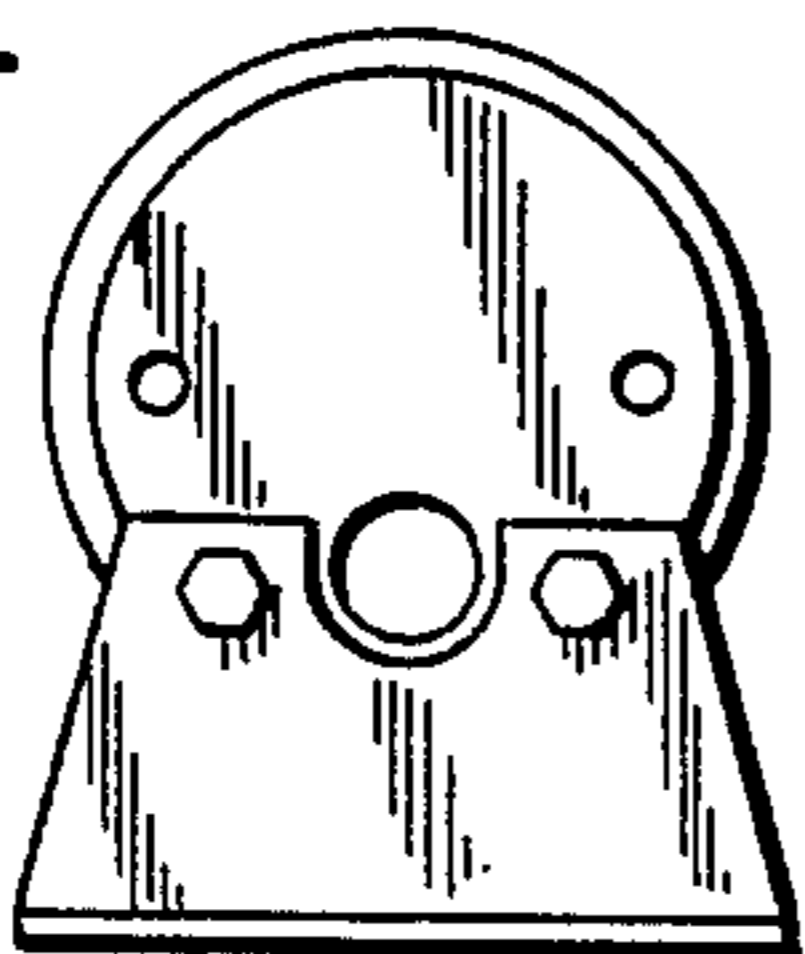


Fig. 6

