

[54] BATHTUB

[75] Inventor: Jeffrey F. Harrison, Lancaster, England

[73] Assignee: Kallista Baths, Inc., Oakland, Calif.

[**] Term: 14 Years

[21] Appl. No.: 557,886

[22] Filed: Dec. 5, 1983

[52] U.S. Cl. D23/55

[58] Field of Search D23/55-56; D24/38; 4/538, 541-544, 546, 559, 573, 574, 576, 577, 582-584, 589, 590, 594, 607

[56] References Cited

U.S. PATENT DOCUMENTS

- D. 93,716 10/1934 Hesler D23/55
- D. 241,643 9/1976 Bonsaek D23/55
- D. 251,610 4/1979 Moltke D24/38
- D. 265,582 7/1982 Kohler, Sr. D23/55

- D. 265,922 8/1982 Jaspersen D23/55
- D. 267,813 2/1983 Lippert, Jr. et al. D23/55
- 2,564,190 8/1951 Danielson 4/584

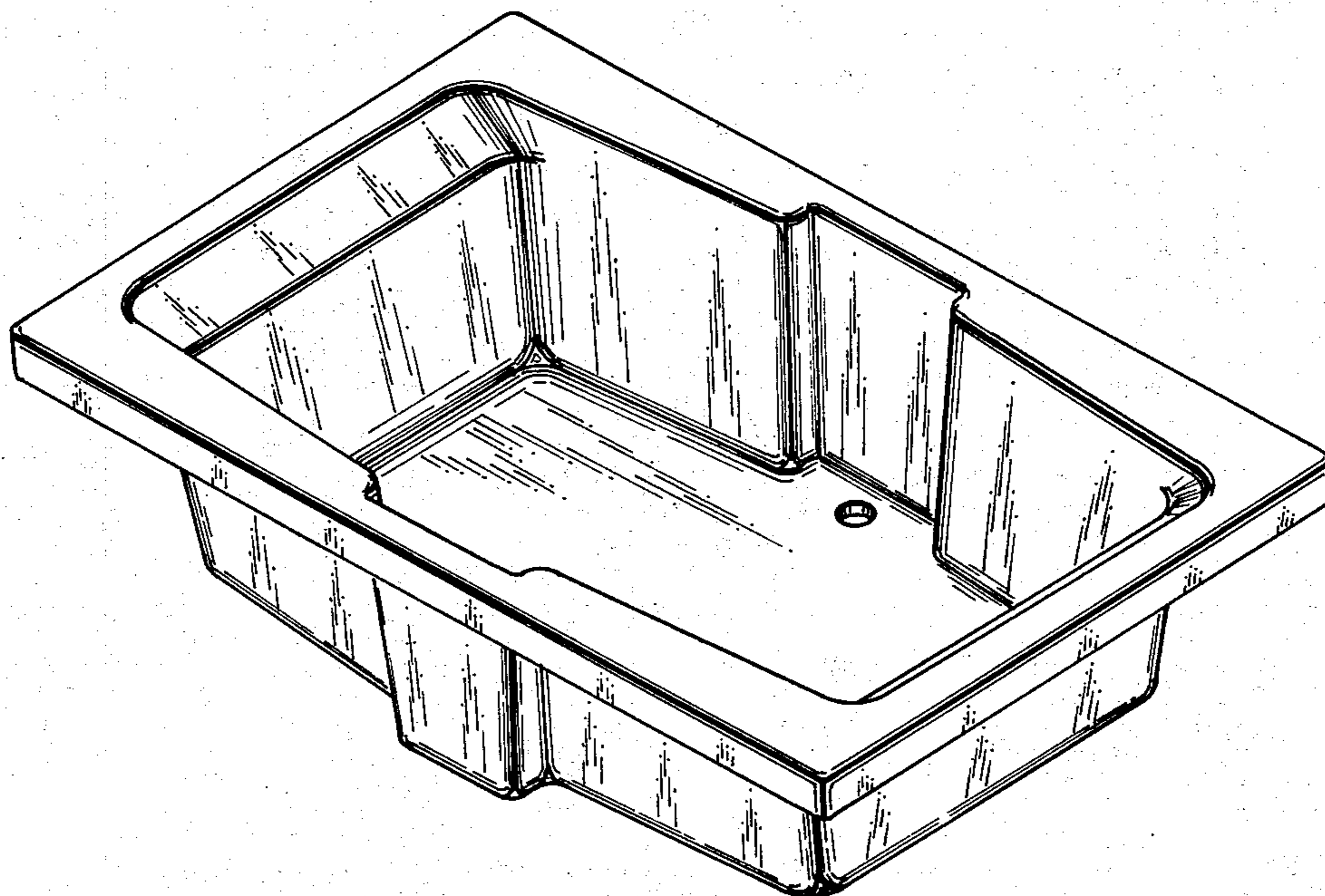
Primary Examiner—James R. Largen
Attorney, Agent, or Firm—James G. O'Neill

[57] CLAIM

The ornamental design for bathtub, as shown and described.

DESCRIPTION

FIG. 1 is a perspective view taken from the top, front and right side of a bathtub showing my new design; FIG. 2 is a top plan view thereof; FIG. 3 is a front elevational view thereof, the rear being the same as the front shown; FIG. 4 is a right side elevational view thereof, the left side being a mirror image of the right side shown; FIG. 5 is a perspective view taken from the bottom, rear and left side thereof; and FIG. 6 is a bottom plan view thereof.



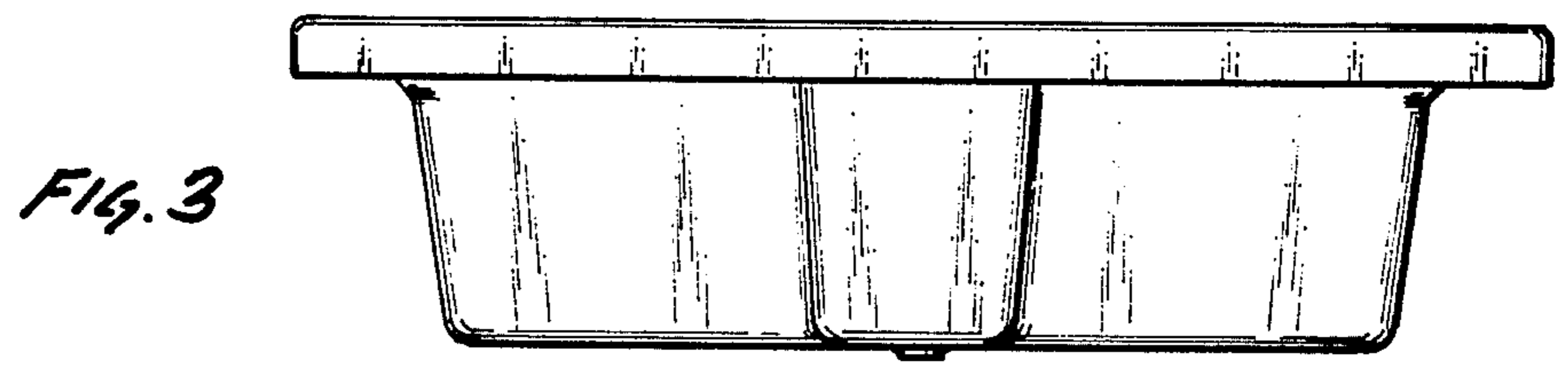
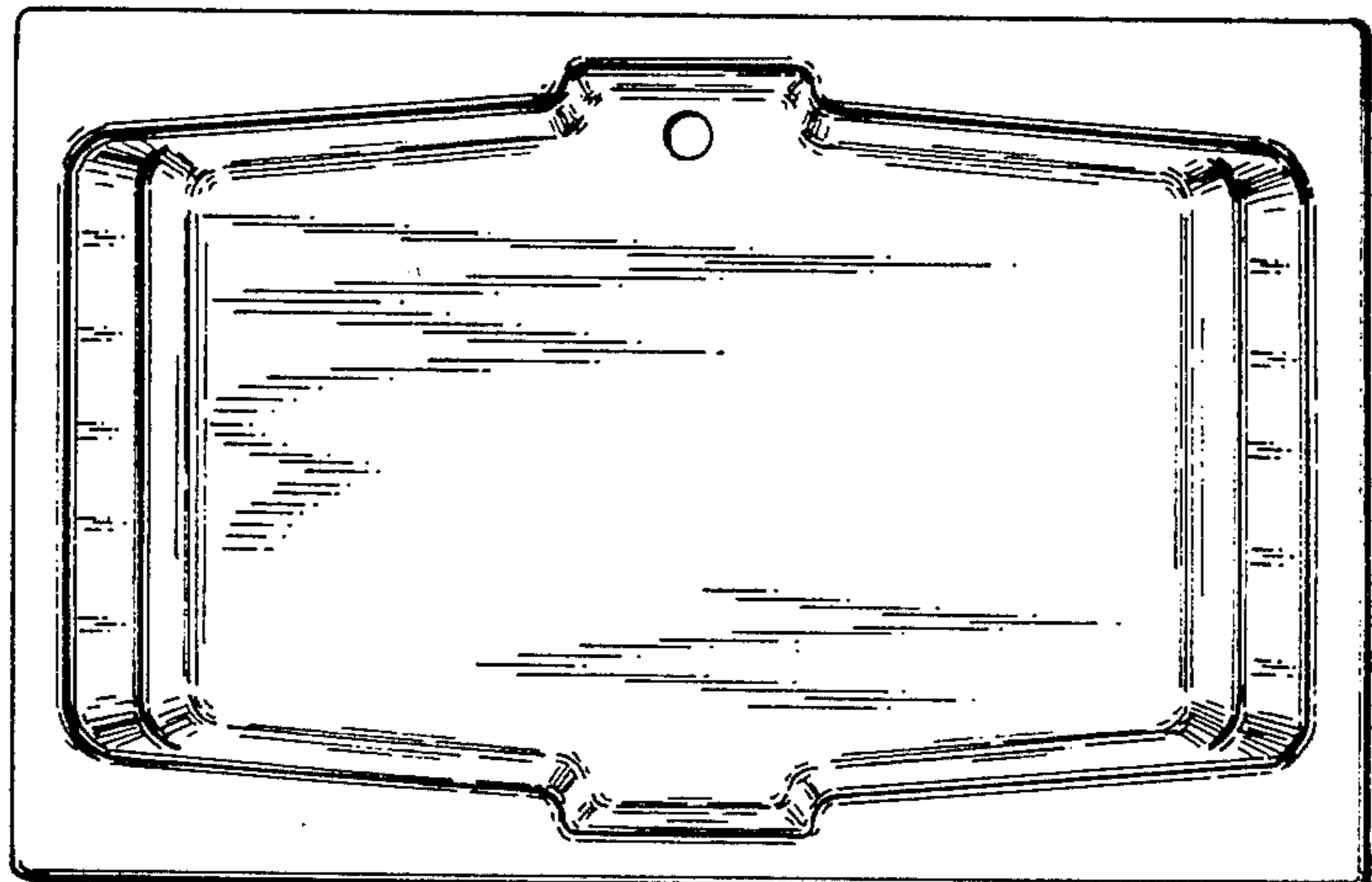
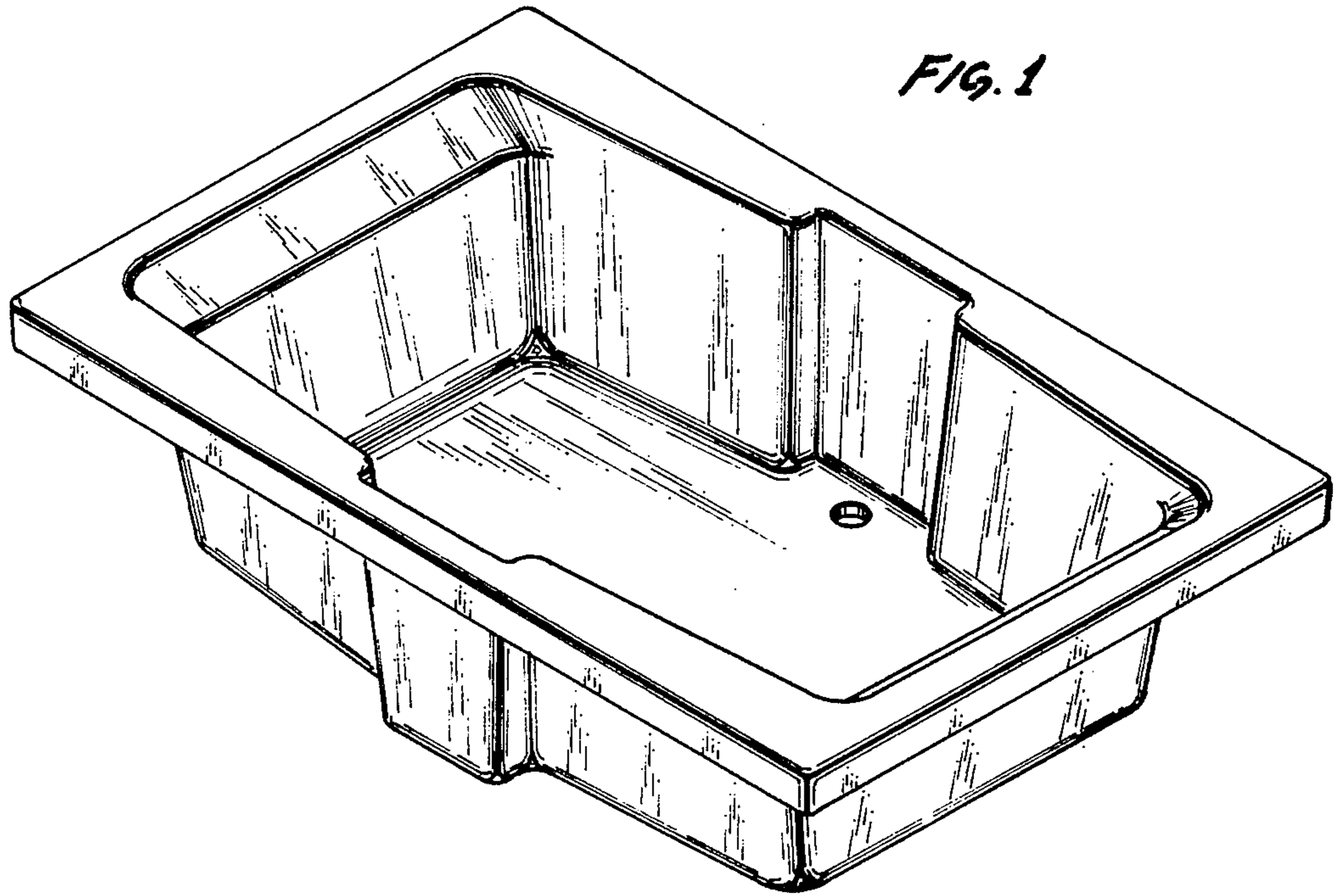


FIG. 4

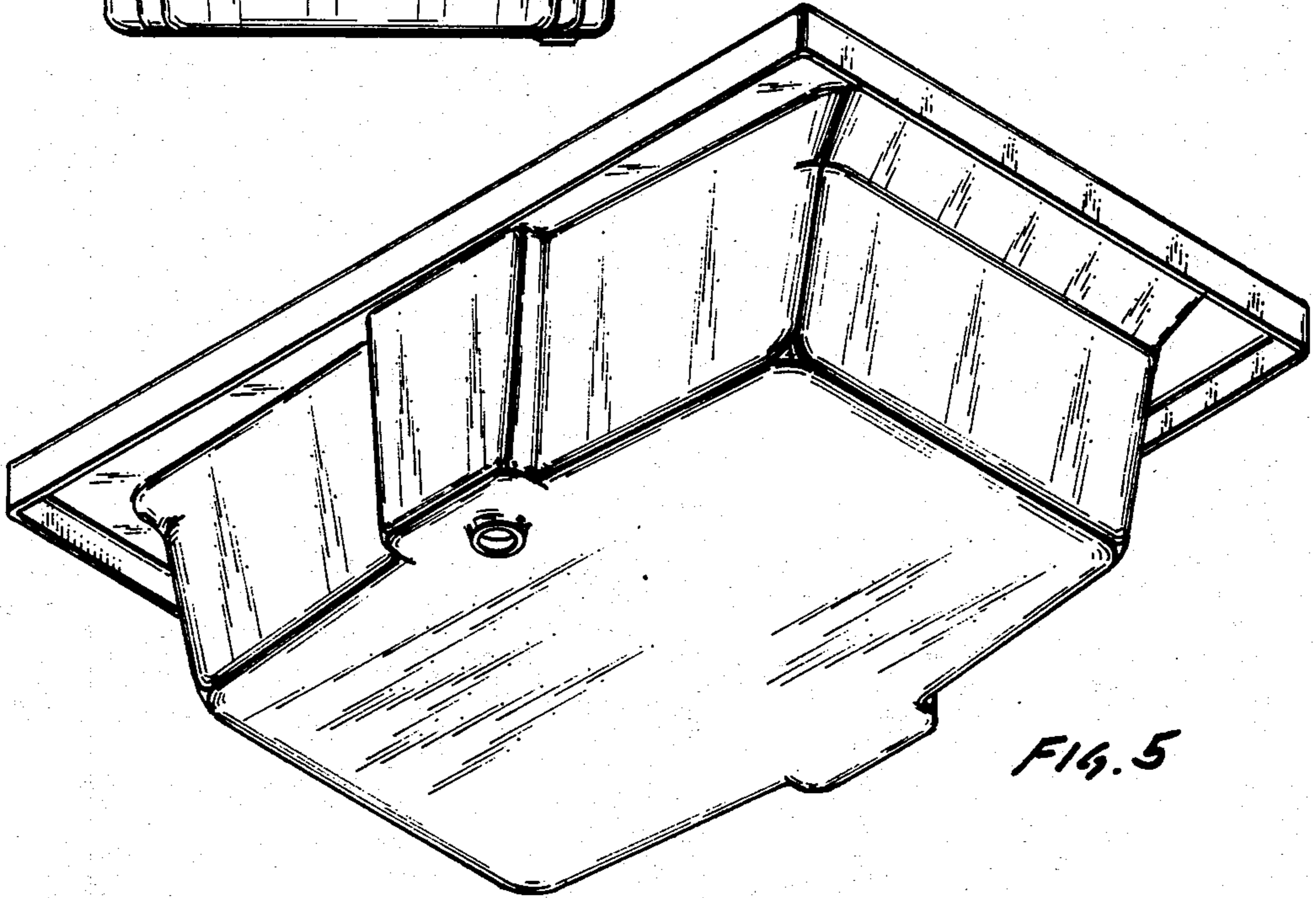
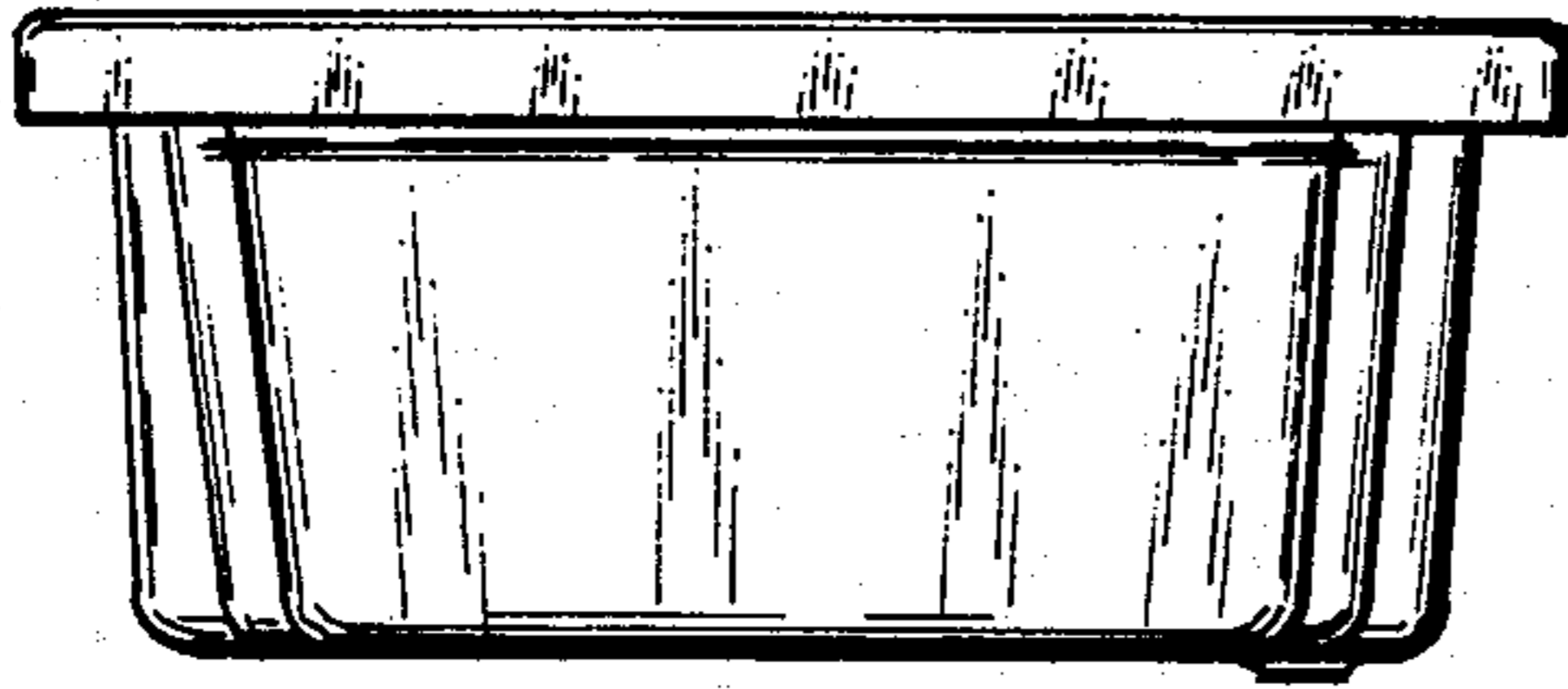


FIG. 5

FIG. 6

