

[54] GYMNASTIC BICYCLE

[75] Inventor: Jose L. Beistegui Chirapozu, Vitoria, Spain

[73] Assignee: B.H., S.A., Madrid, Spain

[**] Term: 14 Years

[21] Appl. No.: 468,537

[22] Filed: Feb. 23, 1983

[30] Foreign Application Priority Data

Aug. 25, 1982 [ES] Spain 102,416

[52] U.S. Cl. D21/194

[58] Field of Search D21/194; 272/70.3, 73, 272/132, DIG. 6; 73/379

[56] References Cited

U.S. PATENT DOCUMENTS

D. 210,958	5/1968	Westborg	D21/194
D. 218,338	8/1970	Dimick et al.	D21/194
D. 218,623	9/1970	Margolies	D21/194
D. 257,515	11/1980	Faux	D21/194
D. 264,235	5/1982	Beistegui Chirapozu	D21/194

OTHER PUBLICATIONS

Sportpages, 1980, p. 11, Item 11D, Bike Exerciser. Sporting Goods Dealer, 9-1981, p. 12, Cardio Cycle. Hammacher Schlemmer Catalog, 1981, p. 57, "Professional Cycle Exerciser". Sporting Goods Dealer, 1-1982, p. 210, MCA Bike Exerciser, Model #81.

Primary Examiner—Charles A. Rademaker
Attorney, Agent, or Firm—Kuhn, Muller and Bazerman

[57] CLAIM

The ornamental design for a gymnastic bicycle, as shown.

DESCRIPTION

FIG. 1 is a left side elevational view of a gymnastic bicycle showing my new design; FIG. 2 is a right side elevational view thereof; FIG. 3 is a rear elevational view thereof; FIG. 4 is a front elevational view thereof; FIG. 5 is a top plan view thereof; and FIG. 6 is a bottom plan view thereof.

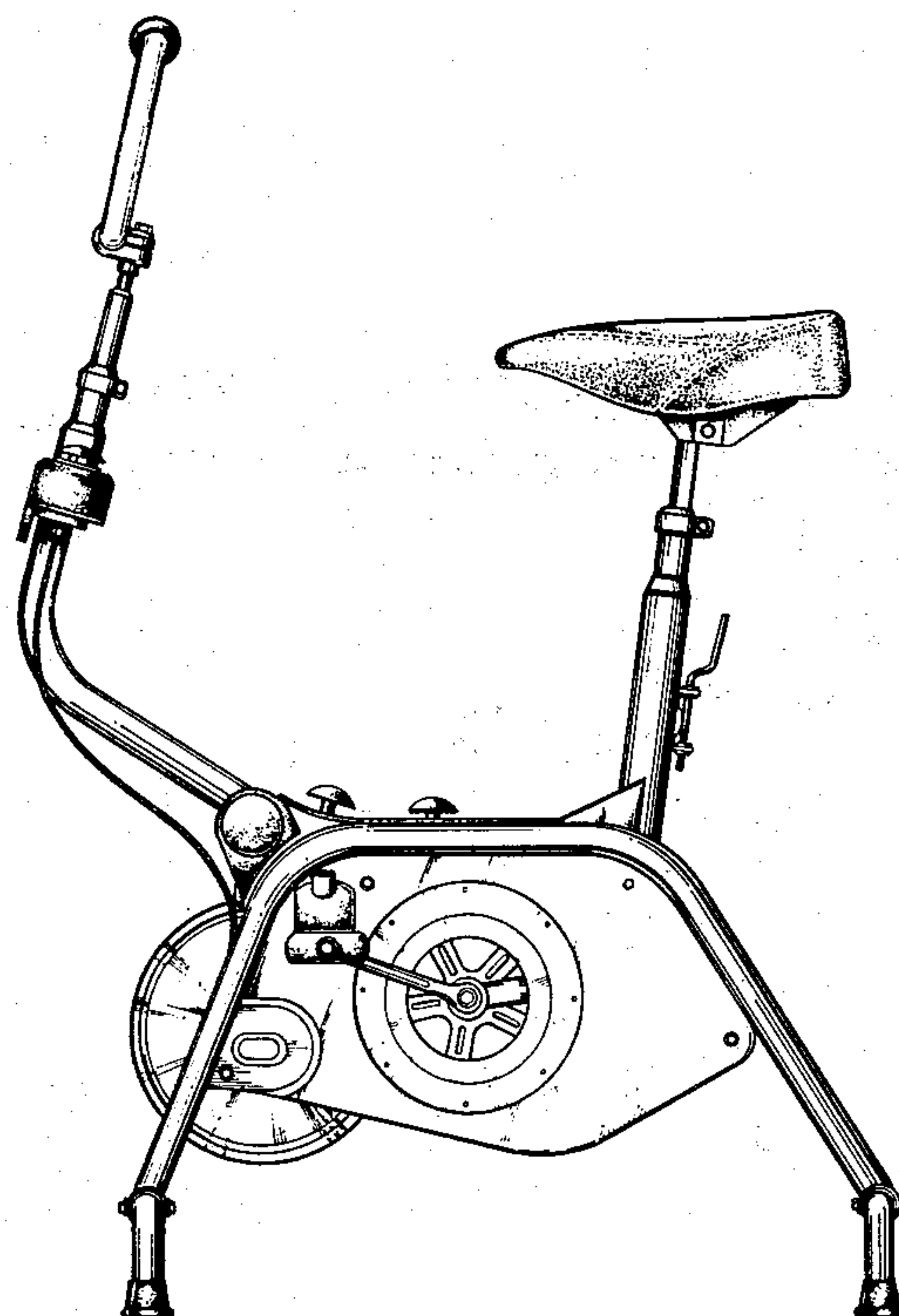


FIG. 1

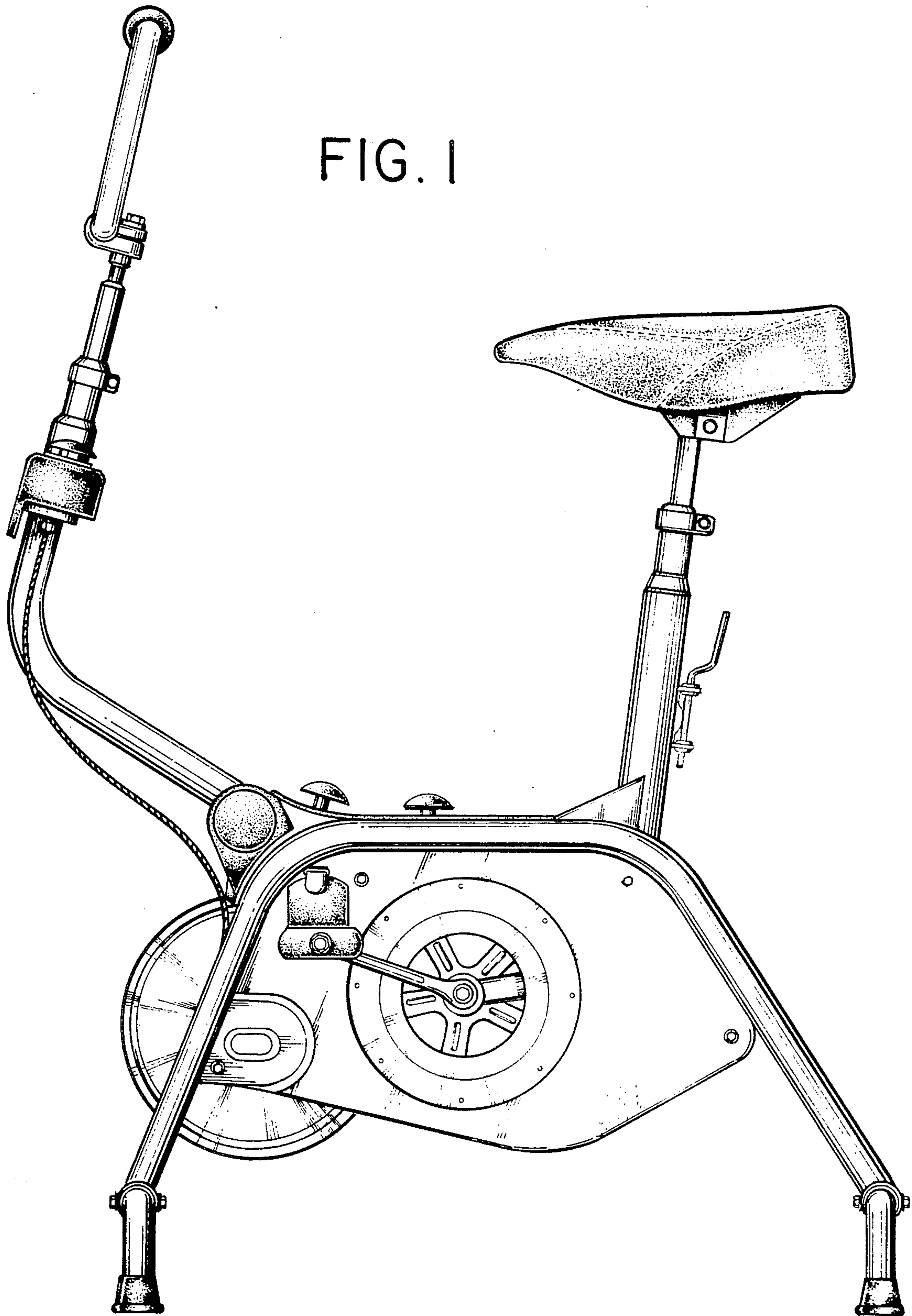


FIG. 2

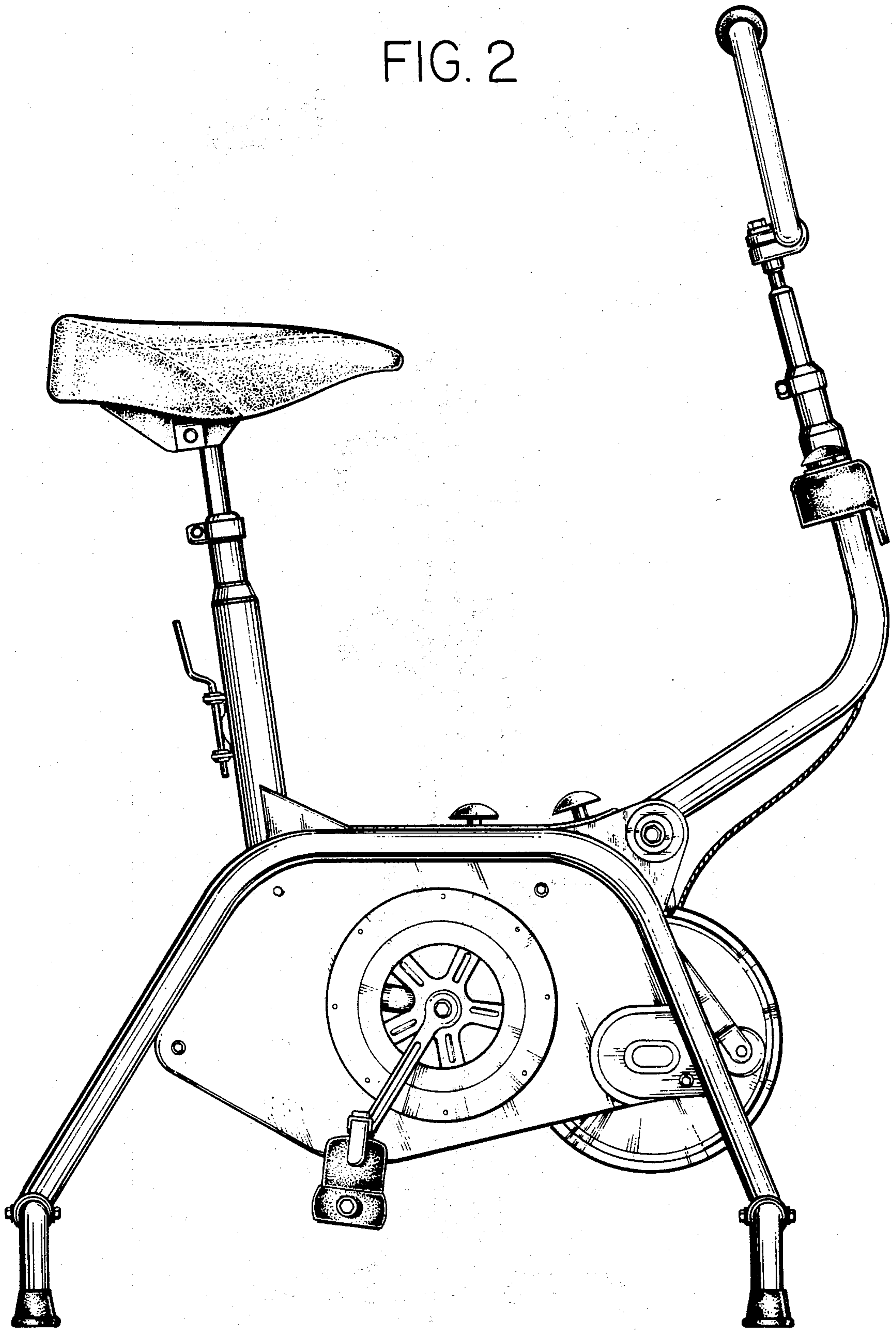


FIG. 3

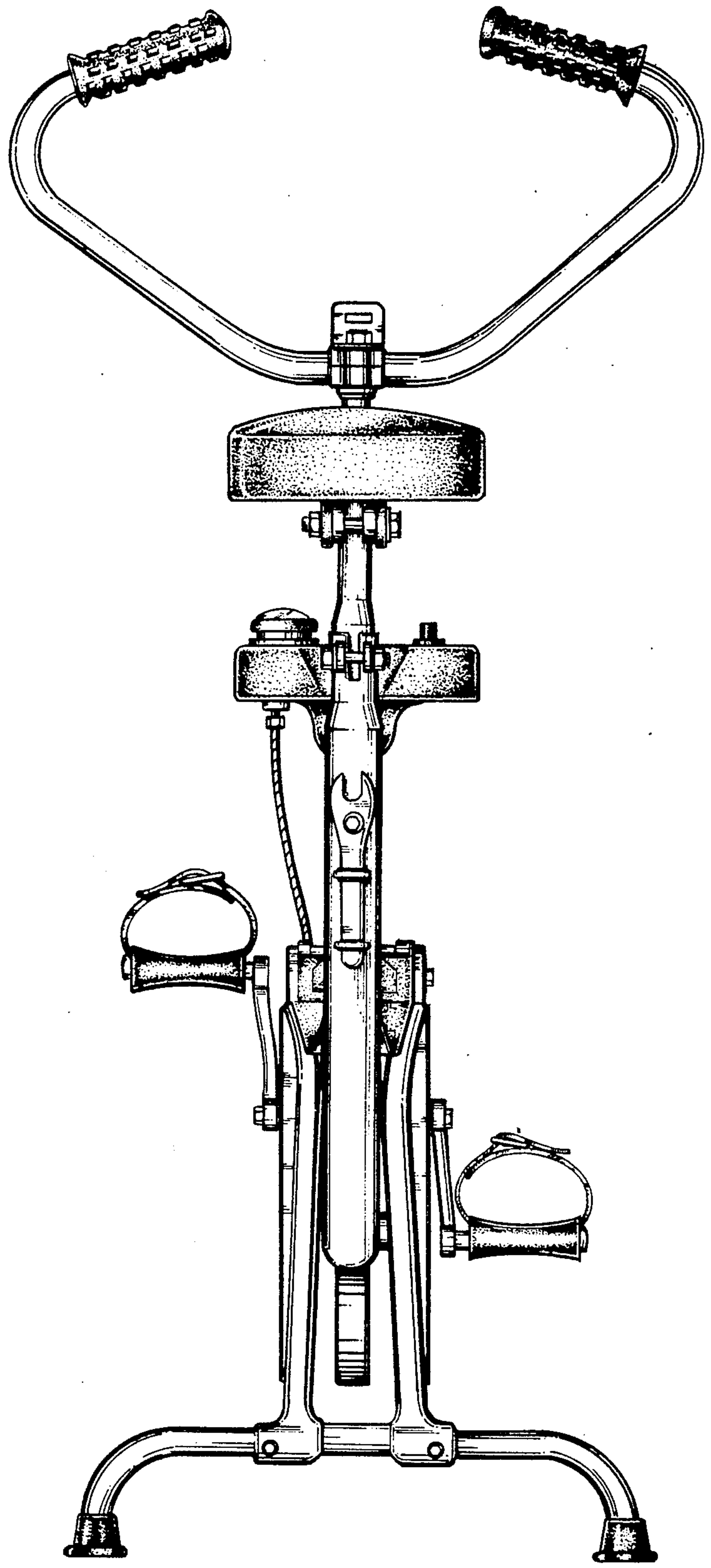


FIG. 4

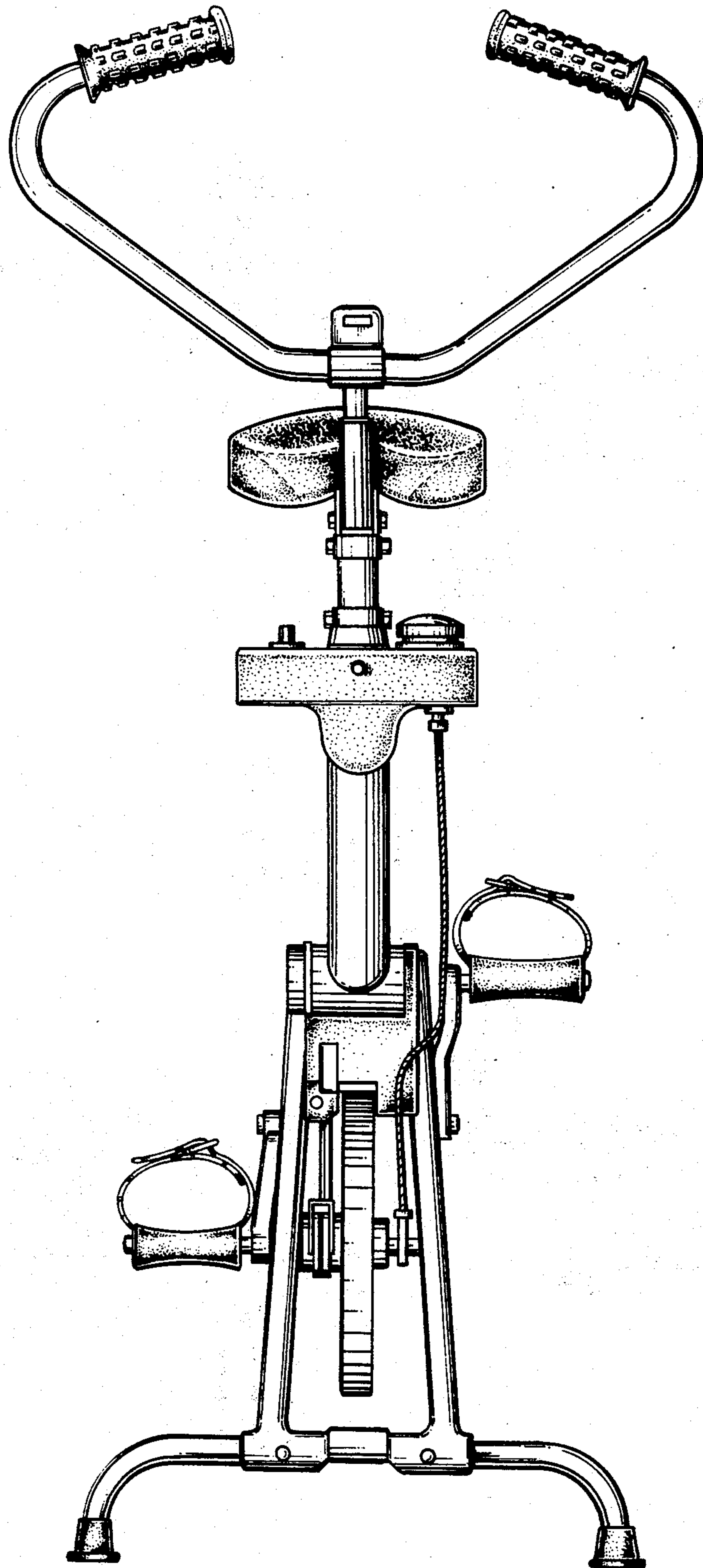


FIG. 5

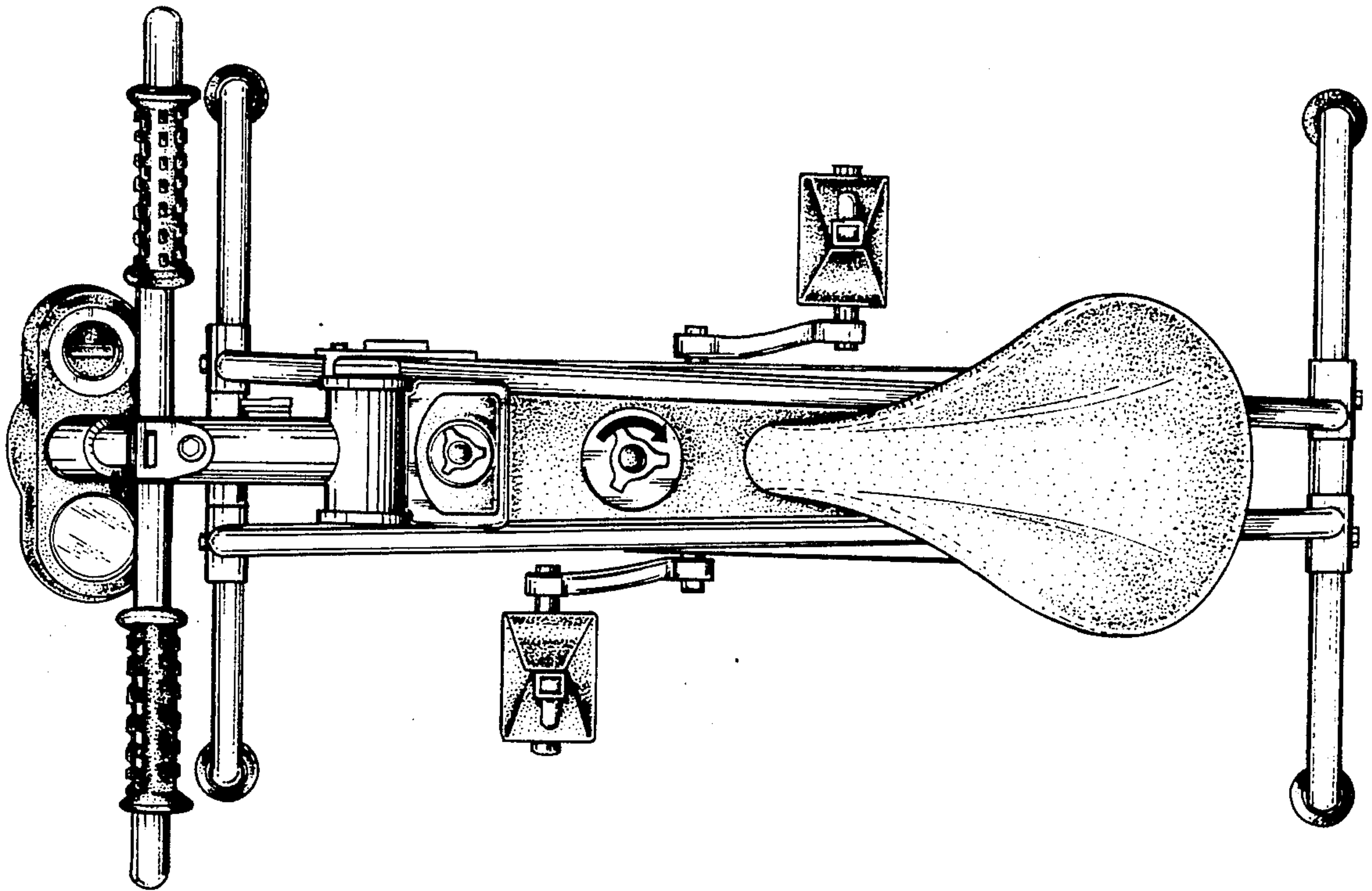


FIG. 6

