

[54] **TOY CONSTRUCTION PIECE**

[75] Inventor: **Erik P. Tapdrup**, Virum, Denmark

[73] Assignee: **Interlego A.G.**, Switzerland

[\*\*] Term: **14 Years**

[21] Appl. No.: **448,756**

[22] Filed: **Dec. 10, 1982**

[52] U.S. Cl. .... **D21/108**

[58] Field of Search ..... **D21/104, 108, 105;**  
**446/85, 87, 104, 111, 118, 120, 121, 124, 128;**  
**D25/87, 88**

[56] **References Cited**

**U.S. PATENT DOCUMENTS**

2,690,032 9/1954 Zalkino ..... 446/102  
4,270,303 6/1981 Xanthopoulos et al. .... 446/128

**FOREIGN PATENT DOCUMENTS**

1195597 11/1959 France ..... D25/88

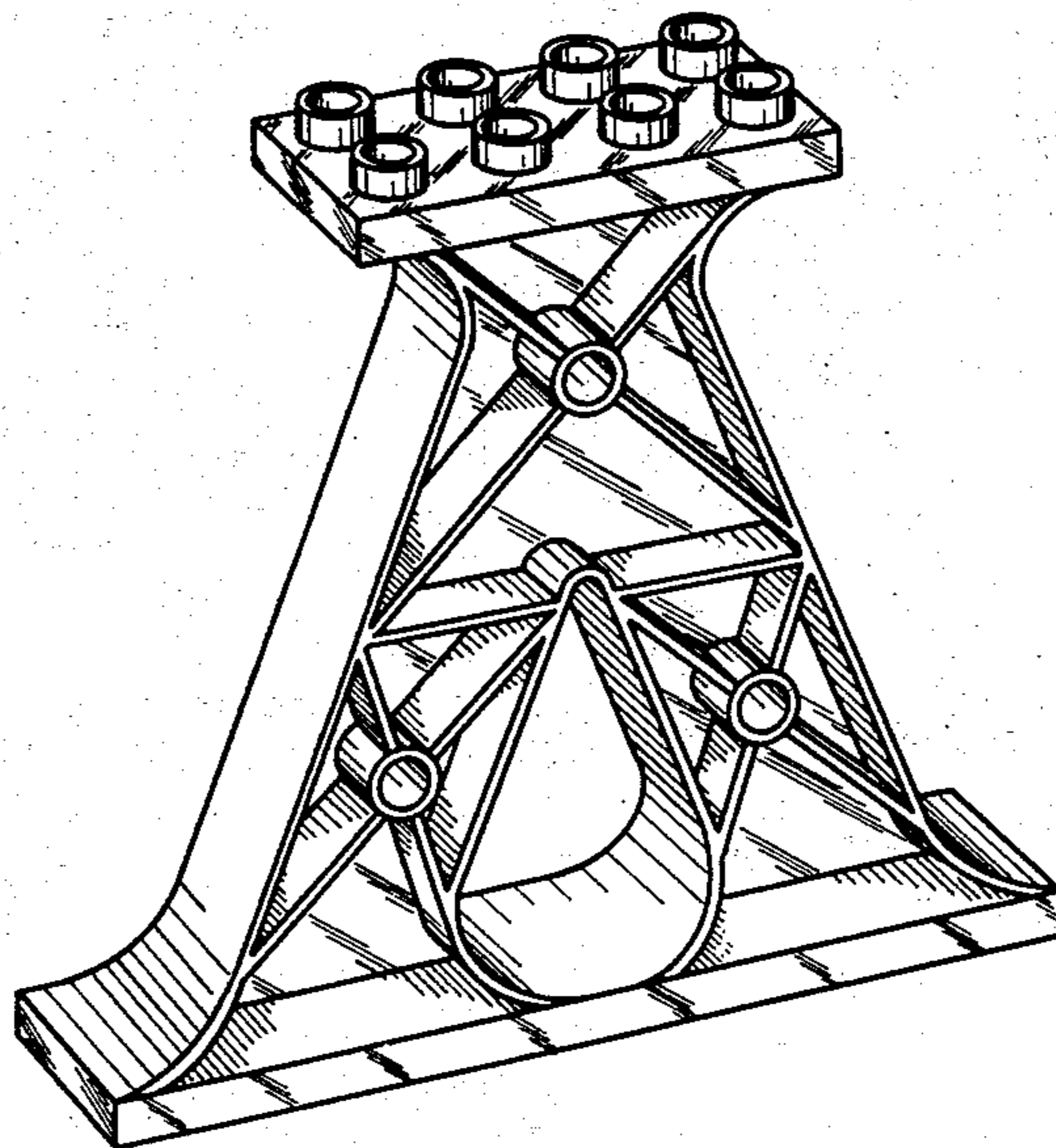
*Primary Examiner*—Charles A. Rademaker  
*Attorney, Agent, or Firm*—Kane, Dalsimer, Kane,  
Sullivan and Kurucz

[57] **CLAIM**

The ornamental design for a toy construction piece, as shown and described.

**DESCRIPTION**

FIG. 1 is a perspective view of a toy construction piece showing my new design;  
FIG. 2 is a bottom plan view thereof;  
FIG. 3 is a side elevational view thereof;  
FIG. 4 is a front elevational view thereof, the side opposite being a mirror image; and,  
FIG. 5 is a top plan view thereof.



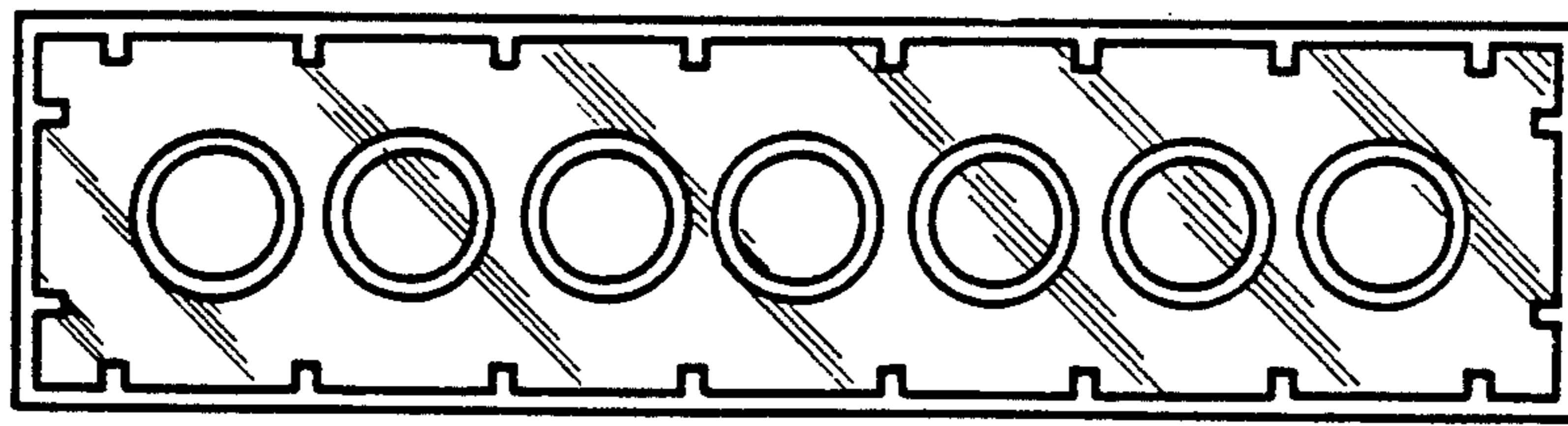


Fig. 2

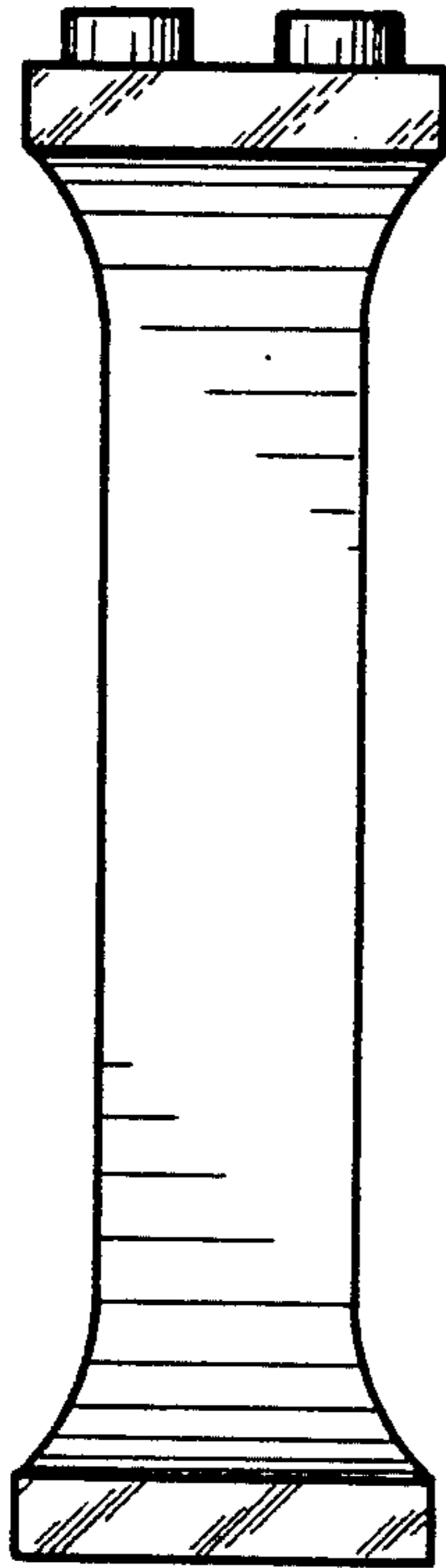


Fig. 3

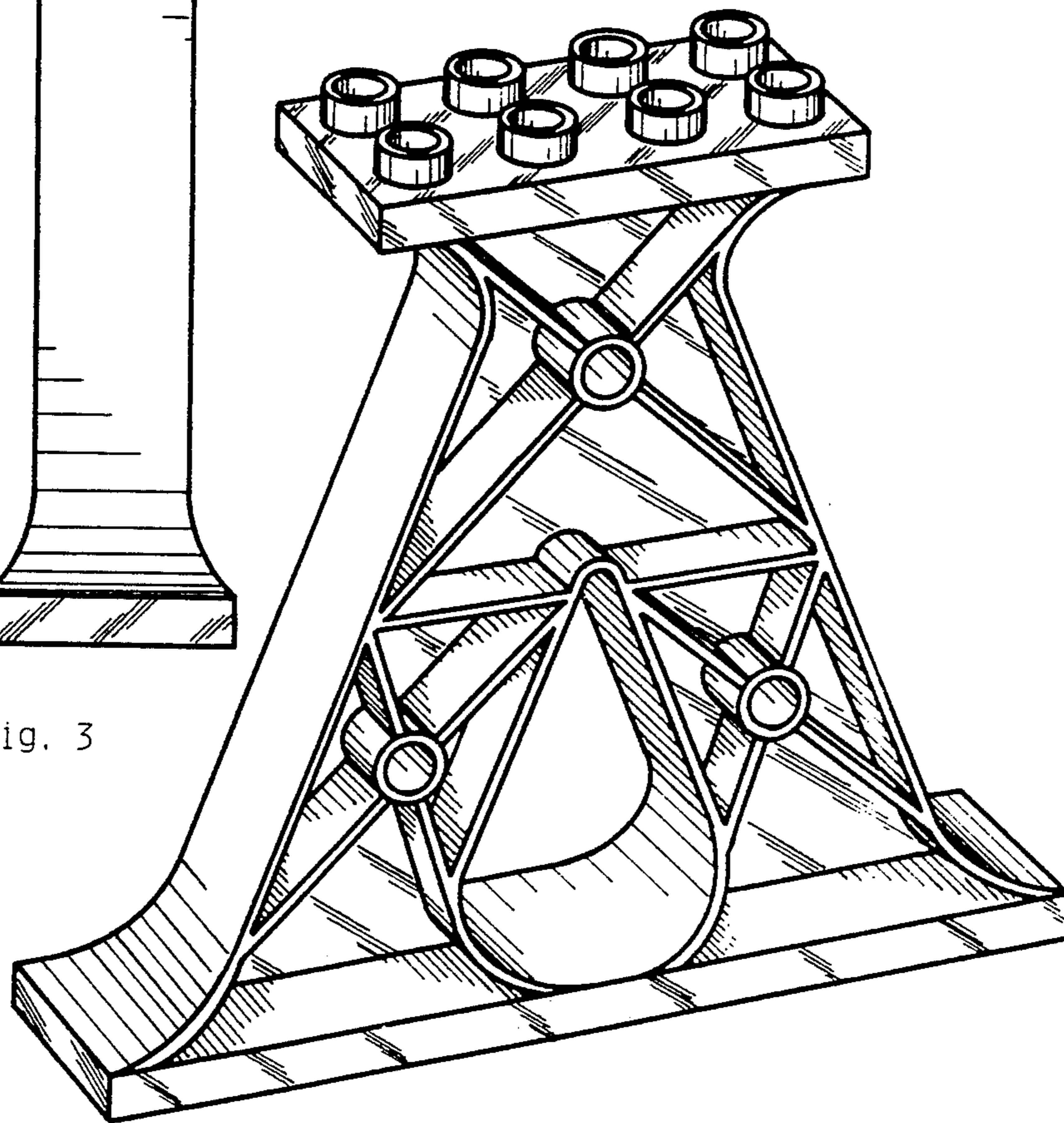


Fig. 1

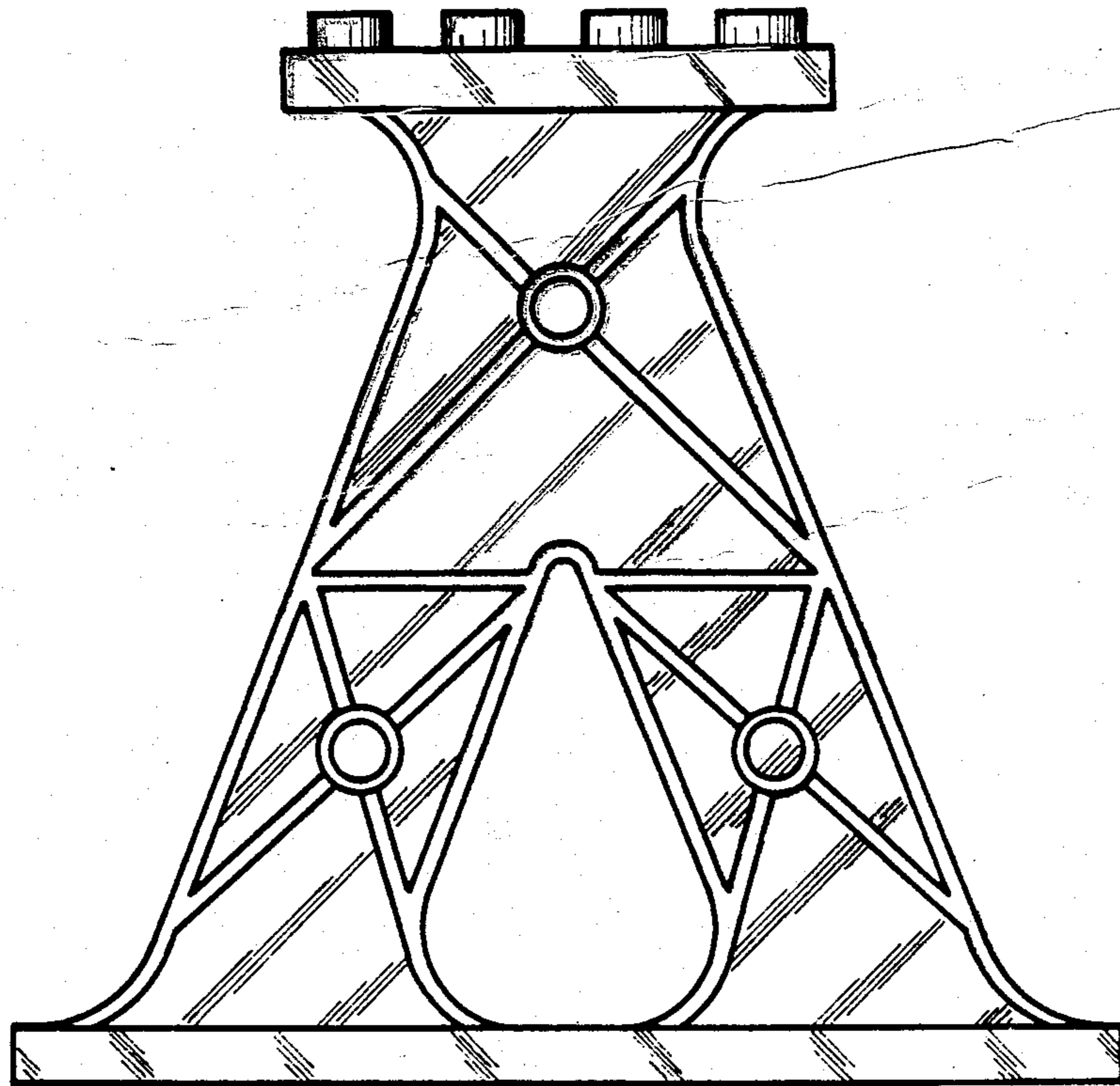


Fig. 4

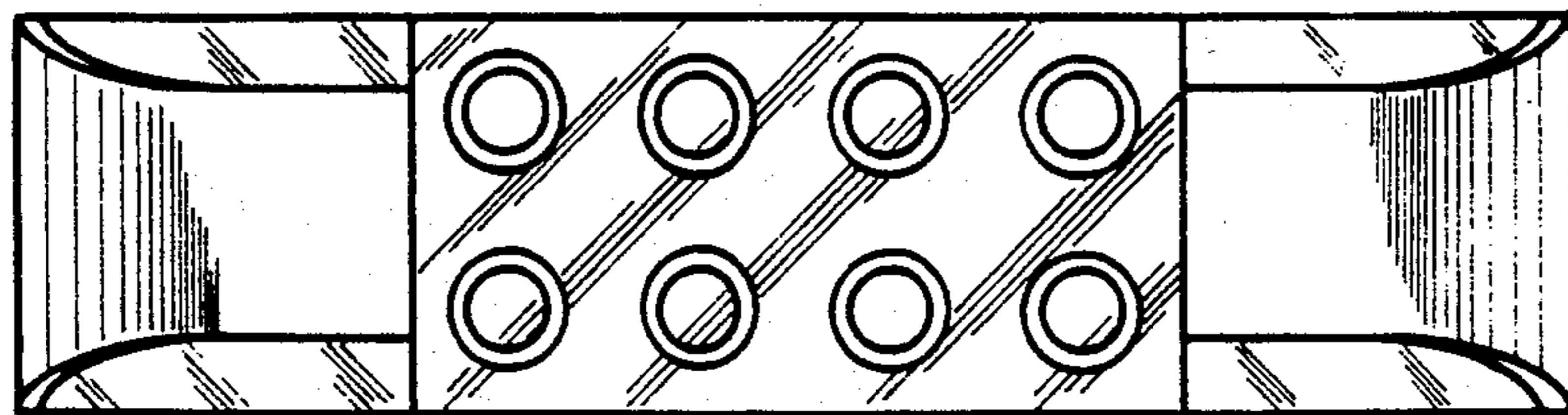


Fig. 5