

[54] **TOY SPACECRAFT**

[75] **Inventor: Steven W. Begg, Maidenhead, England**

[73] **Assignee: Anderson Burr Pictures Limited, London, England**

[**] **Term: 14 Years**

[21] **Appl. No.: 514,583**

[22] **Filed: Jul. 18, 1983**

[30] **Foreign Application Priority Data**

Jan. 24, 1983 [GB] United Kingdom 1010984
[52] **U.S. Cl. D21/87**
[58] **Field of Search D21/82, 87, 88, 89, D21/90, 124, 128; D12/319, 320, 321; 446/71, 72, 73, 34, 52, 56, 61, 66**

[56] **References Cited**

U.S. PATENT DOCUMENTS

D. 219,295 11/1970 Rosenthal D21/87
D. 220,983 6/1971 Webb et al. D12/320
D. 254,080 1/1980 Johnston D21/87
D. 272,926 3/1984 Guinn D21/87

OTHER PUBLICATIONS

Toys And Novelties, 7-1968, p. 57, Toy Space Vehicle.

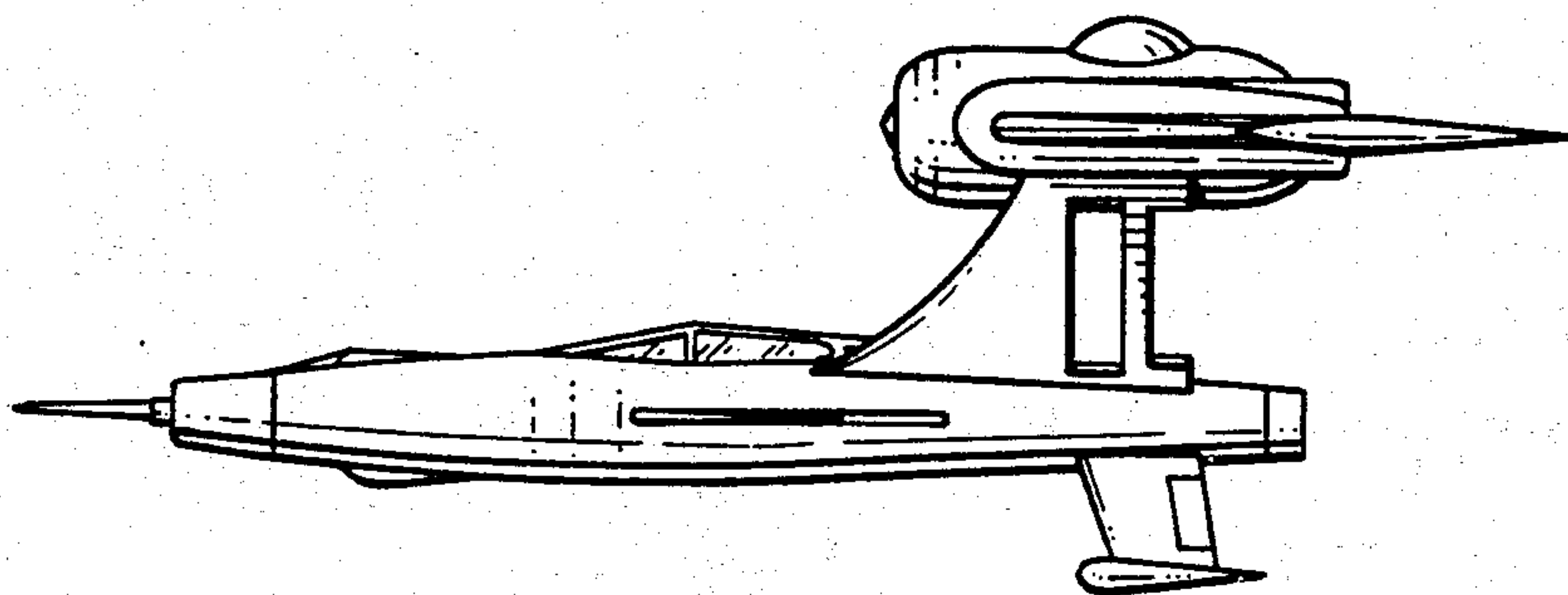
Primary Examiner—Charles A. Rademaker
Attorney, Agent, or Firm—Dressler, Goldsmith, Shore, Sutker & Milnamow, Ltd.

[57] **CLAIM**

The ornamental design for a toy spacecraft, substantially as shown.

DESCRIPTION

FIG. 1 is a side elevational view of a toy spacecraft showing my new design;
FIG. 2 is a top plan view thereof;
FIG. 3 is a front elevational view thereof;
FIG. 4 is a rear elevational view thereof; and,
FIG. 5 is a bottom plan view thereof.



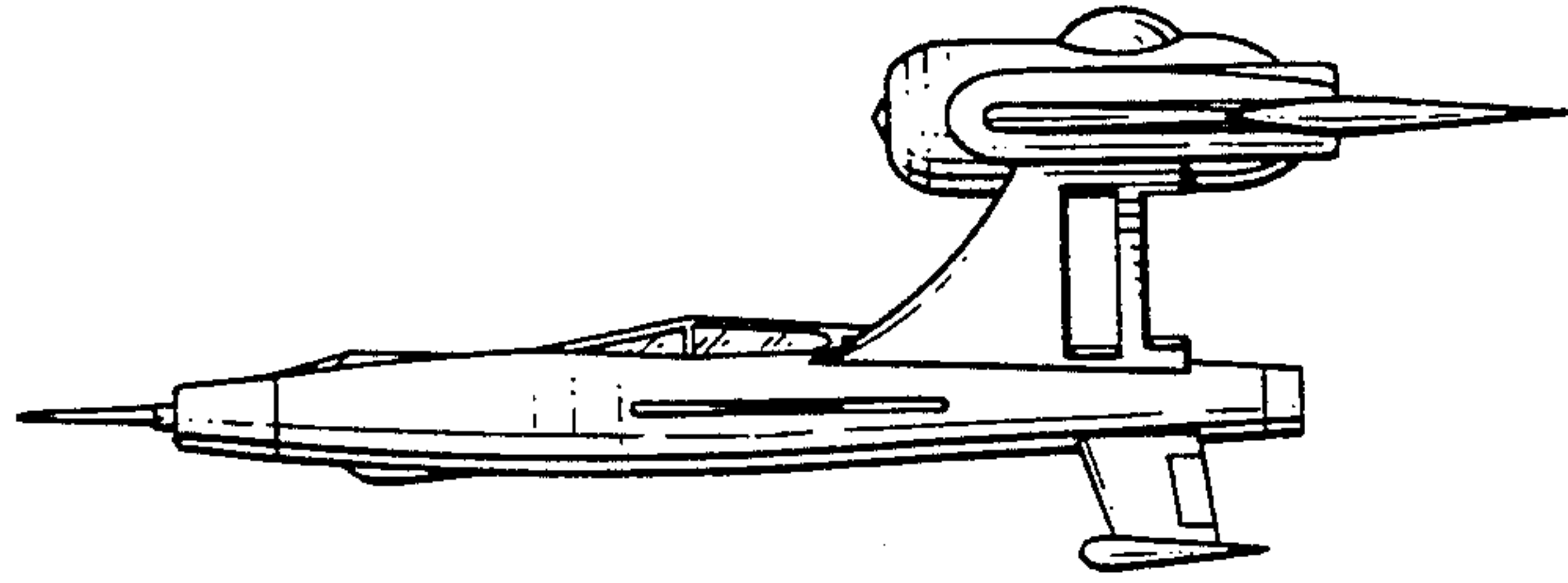


FIG. 1

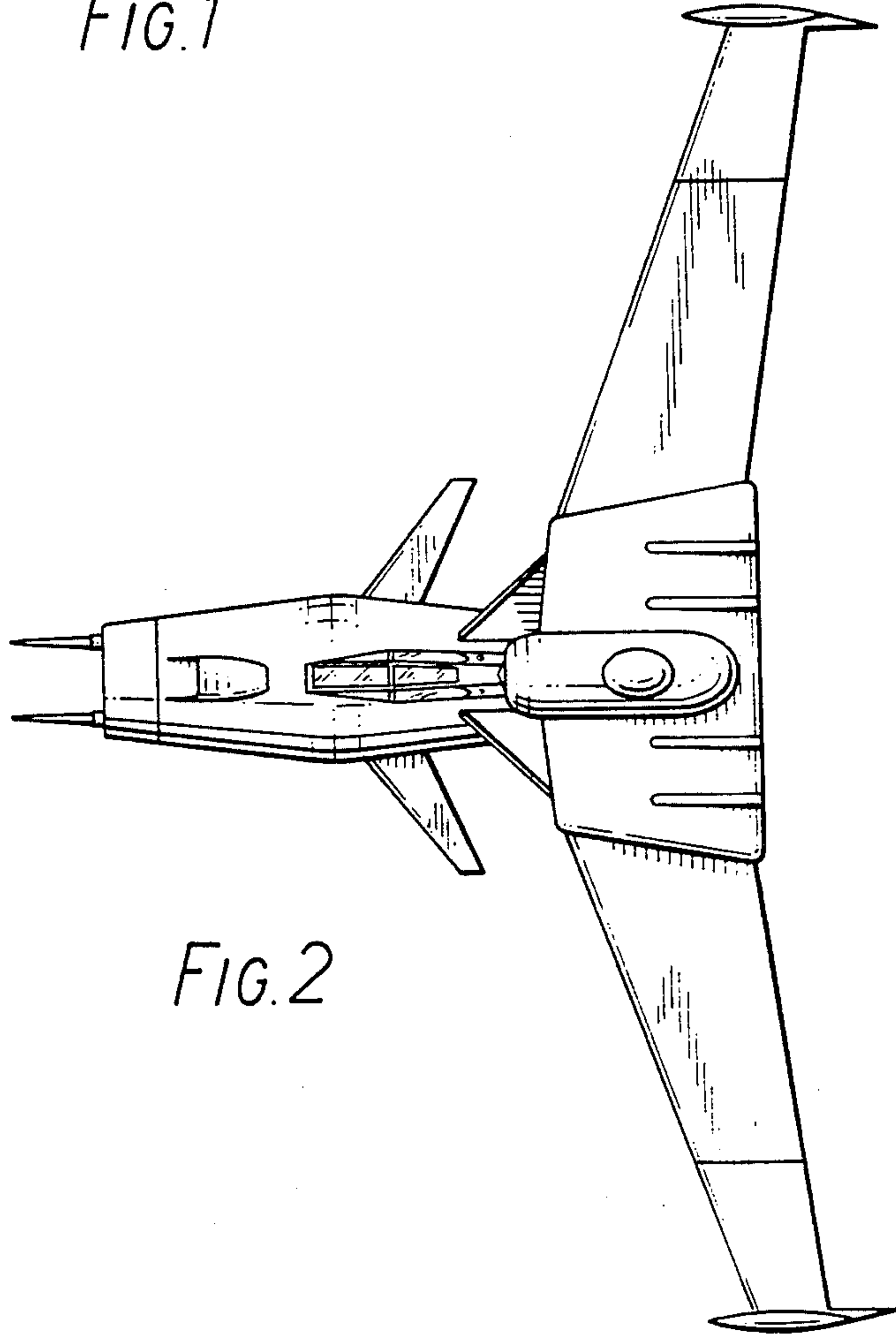


FIG. 2

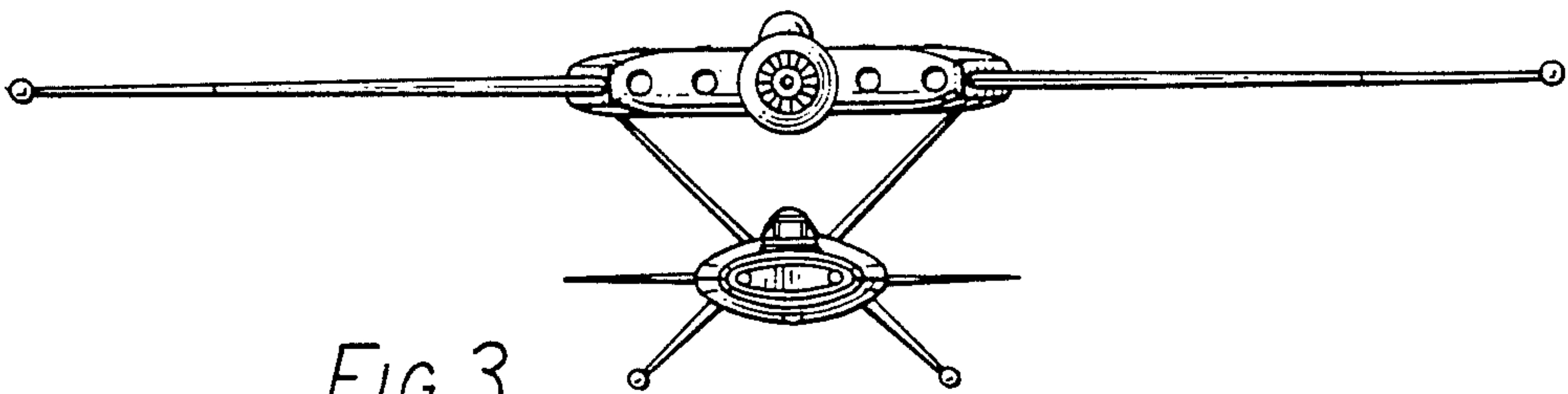


FIG. 3

