

United States Patent [19]

Begg

[11] Patent Number: **Des. 279,695**

[45] Date of Patent: **** Jul. 16, 1985**

[54] **TOY SPACECRAFT**

[75] Inventor: **Steven W. Begg, Maidenhead, England**

[73] Assignee: **Anderson Burr Pictures Limited, London, England**

[**] Term: **14 Years**

[21] Appl. No.: **513,853**

[22] Filed: **Jul. 15, 1983**

[30] **Foreign Application Priority Data**

Jan. 24, 1983 [GB] United Kingdom 1010987
[52] U.S. Cl. **D21/87**
[58] Field of Search D21/82, 87, 88, 89,
D21/90, 124, 128; D12/320, 319, 321; 446/71,
72, 73, 34, 52, 56, 61, 66

[56] **References Cited**

U.S. PATENT DOCUMENTS

D. 200,368 2/1965 Cohen et al. D21/87
D. 261,286 10/1981 Breneman D21/87
D. 263,487 3/1982 LaCrone D21/87

OTHER PUBLICATIONS

Hong Kong Enterprize, 1980, Item #666 "Galactic Rocket Car".

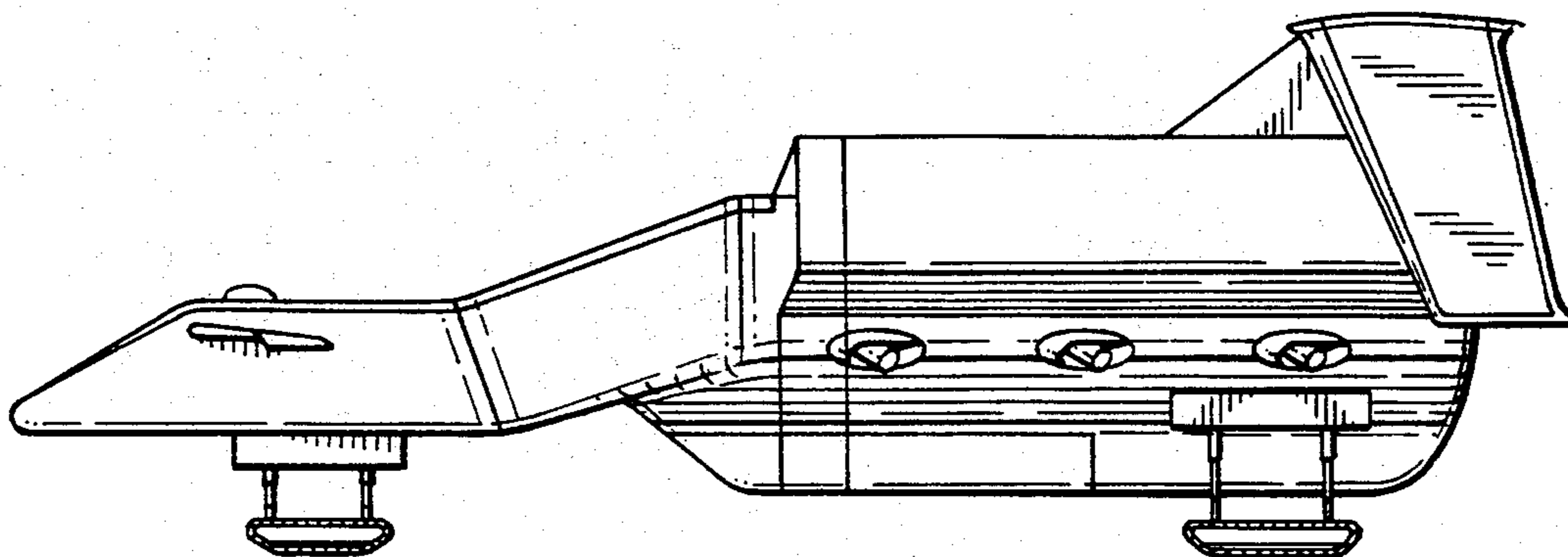
Primary Examiner—Charles A. Rademaker
Attorney, Agent, or Firm—Dressler, Goldsmith, Shore, Sutker & Milnamow, Ltd.

[57] **CLAIM**

The ornamental design for a toy spacecraft, substantially as shown.

DESCRIPTION

FIG. 1 is a side elevational view of a toy spacecraft showing my new design;
FIG. 2 is a top plan view thereof;
FIG. 3 is a front elevational view thereof;
FIG. 4 is a rear elevational view thereof; and,
FIG. 5 is a bottom plan view thereof.



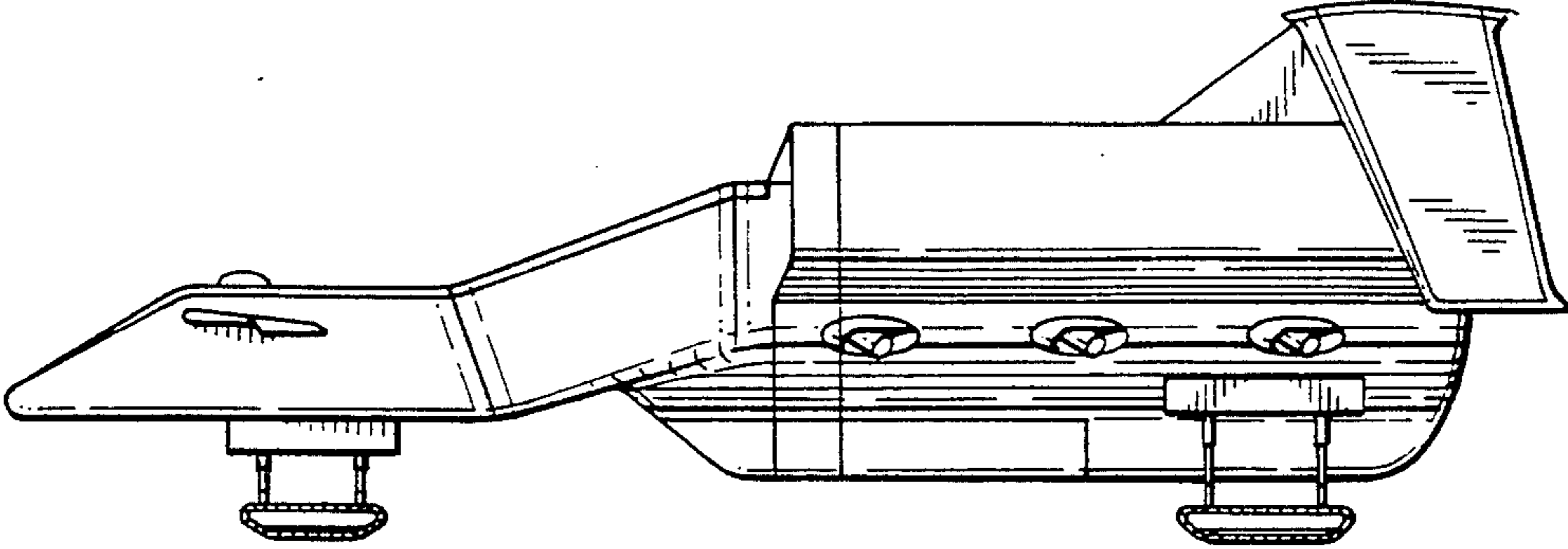


FIG. 1

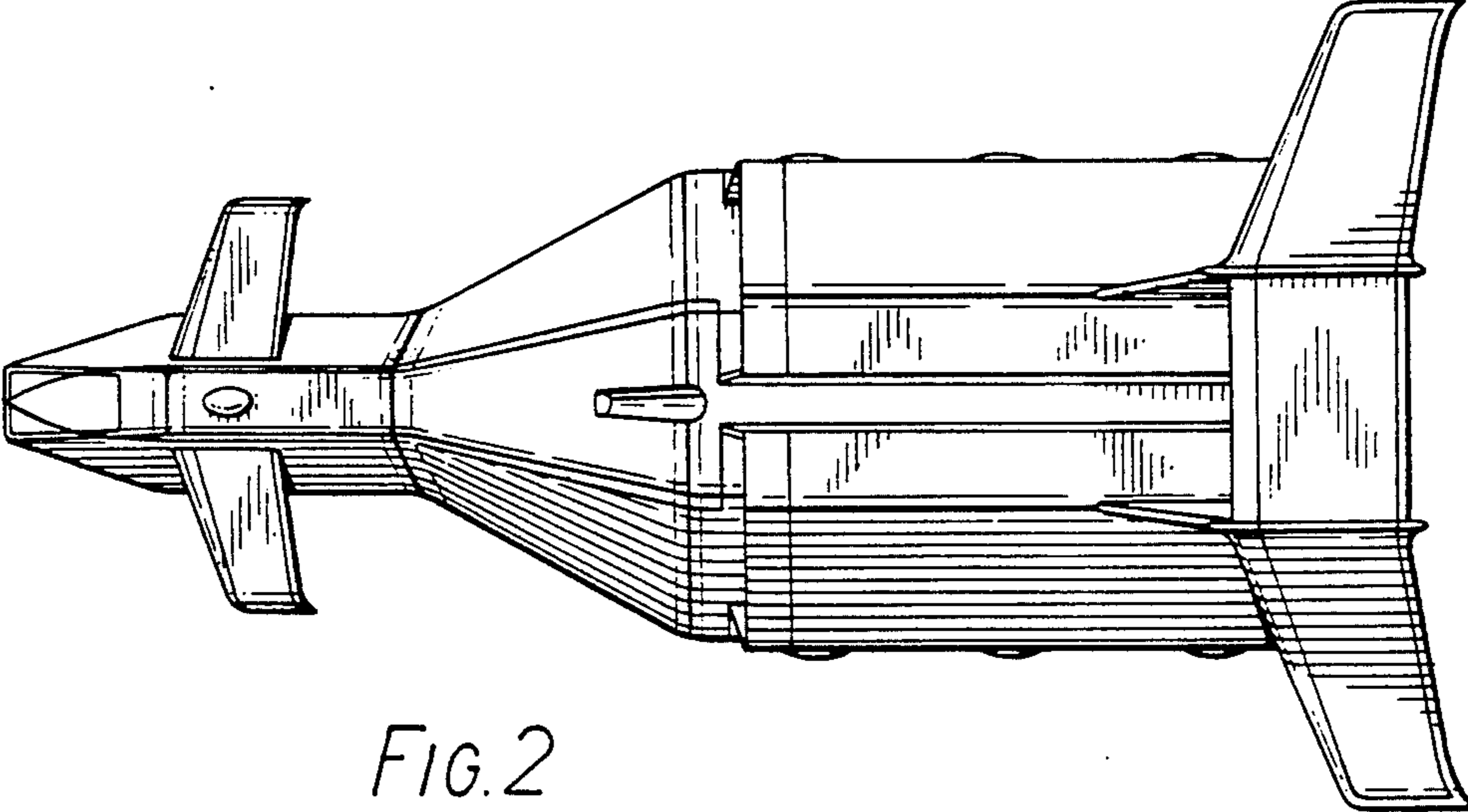


FIG. 2

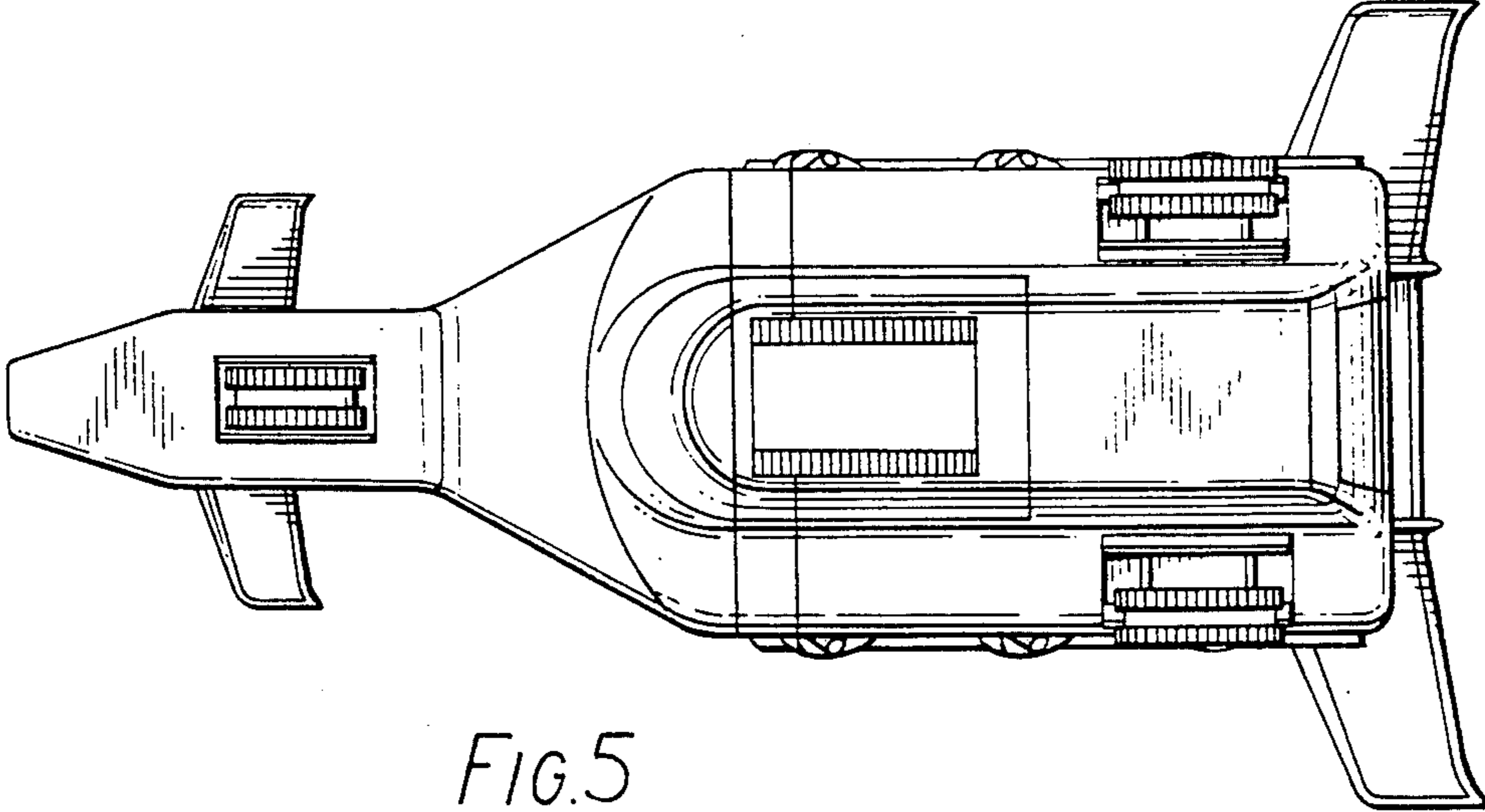


FIG. 5

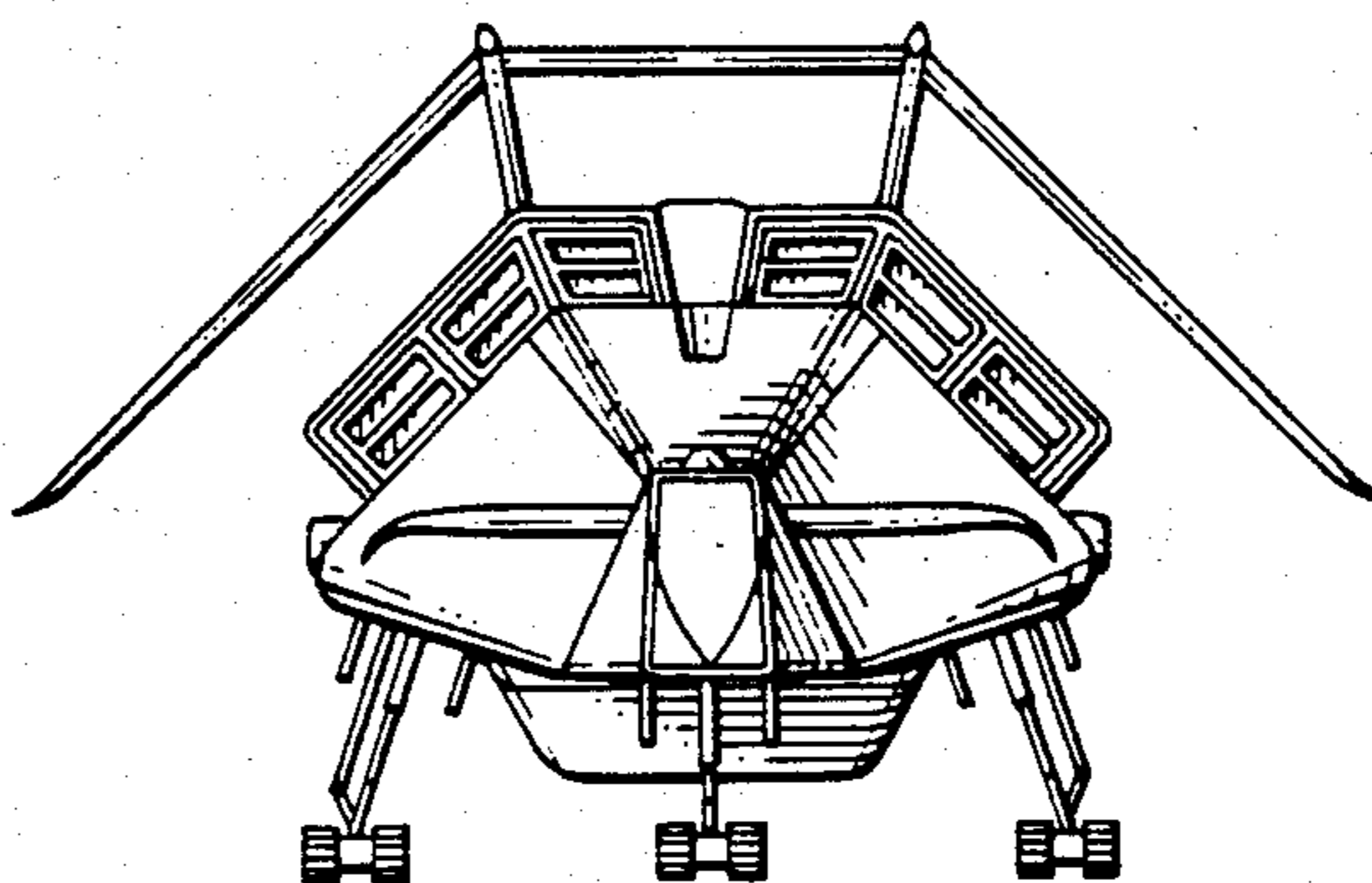


FIG. 3

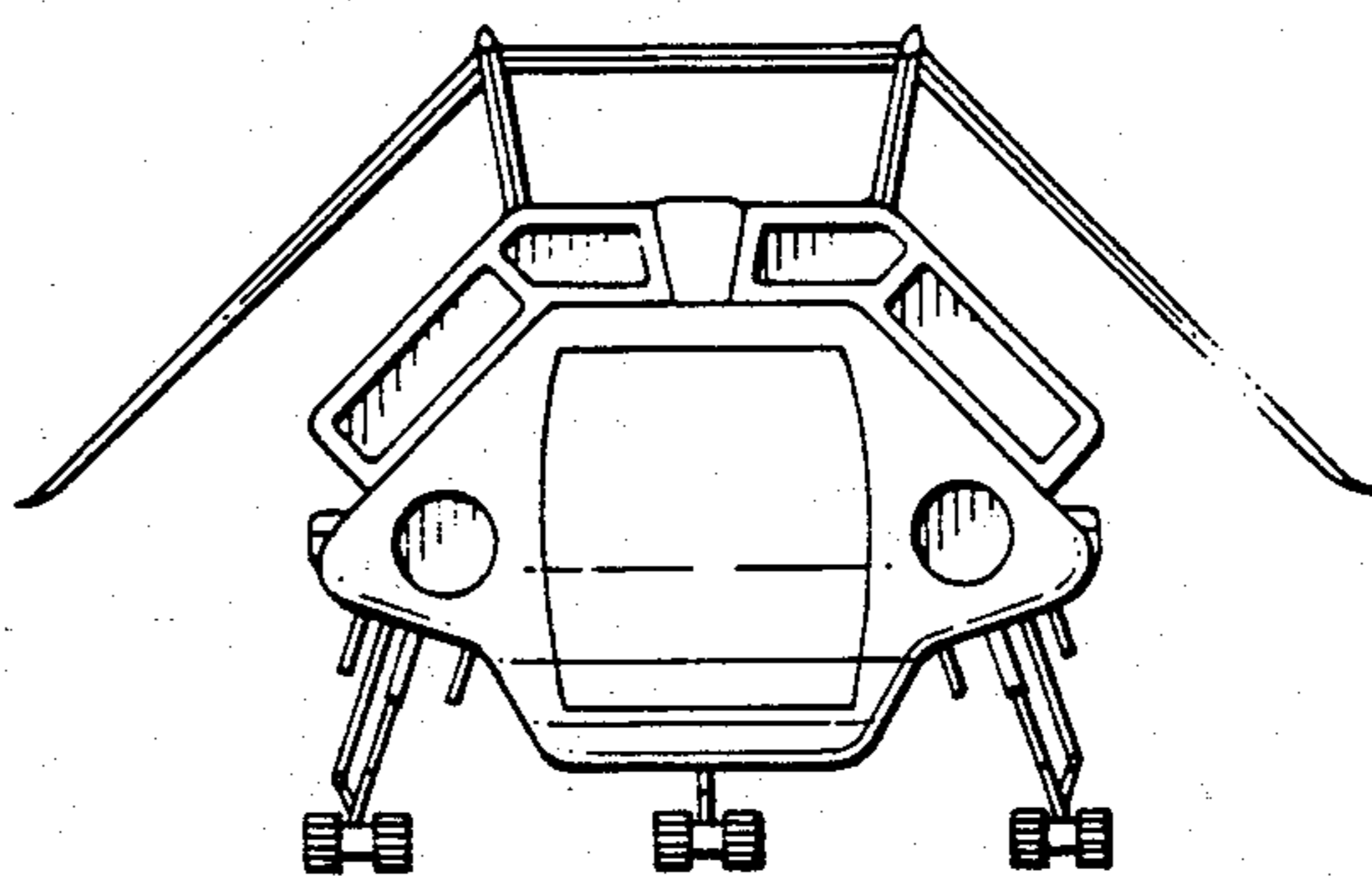


FIG. 4