

[54] **COMBINED DISPLAY SIGN AND CLOCK**

[75] **Inventor: William Silver, New York, N.Y.**

[73] **Assignee: Thomson-Leeds Company, Inc., New York, N.Y.**

[**] **Term: 14 Years**

[21] **Appl. No.: 412,564**

[22] **Filed: Aug. 30, 1982**

[52] **U.S. Cl. D20/20**

[58] **Field of Search D20/10, 20, 42, 43; 40/446, 493, 508, 514, 518, 524, 584, 618, 541**

[56] **References Cited**

U.S. PATENT DOCUMENTS

D. 118,145 12/1939 Shapiro D20/20
D. 182,682 4/1958 Nelson D20/20

Primary Examiner—Catherine E. Kemper
Attorney, Agent, or Firm—Howard C. Miskin

[57] **CLAIM**

The ornamental design for a combined display sign and clock, as shown and described.

DESCRIPTION

FIG. 1 is a front elevational view of a combined display sign and clock showing my new design;
FIG. 2 is a front perspective view thereof;
FIG. 3 is a rear elevational view thereof;
FIG. 4 is a side elevational view of my design.

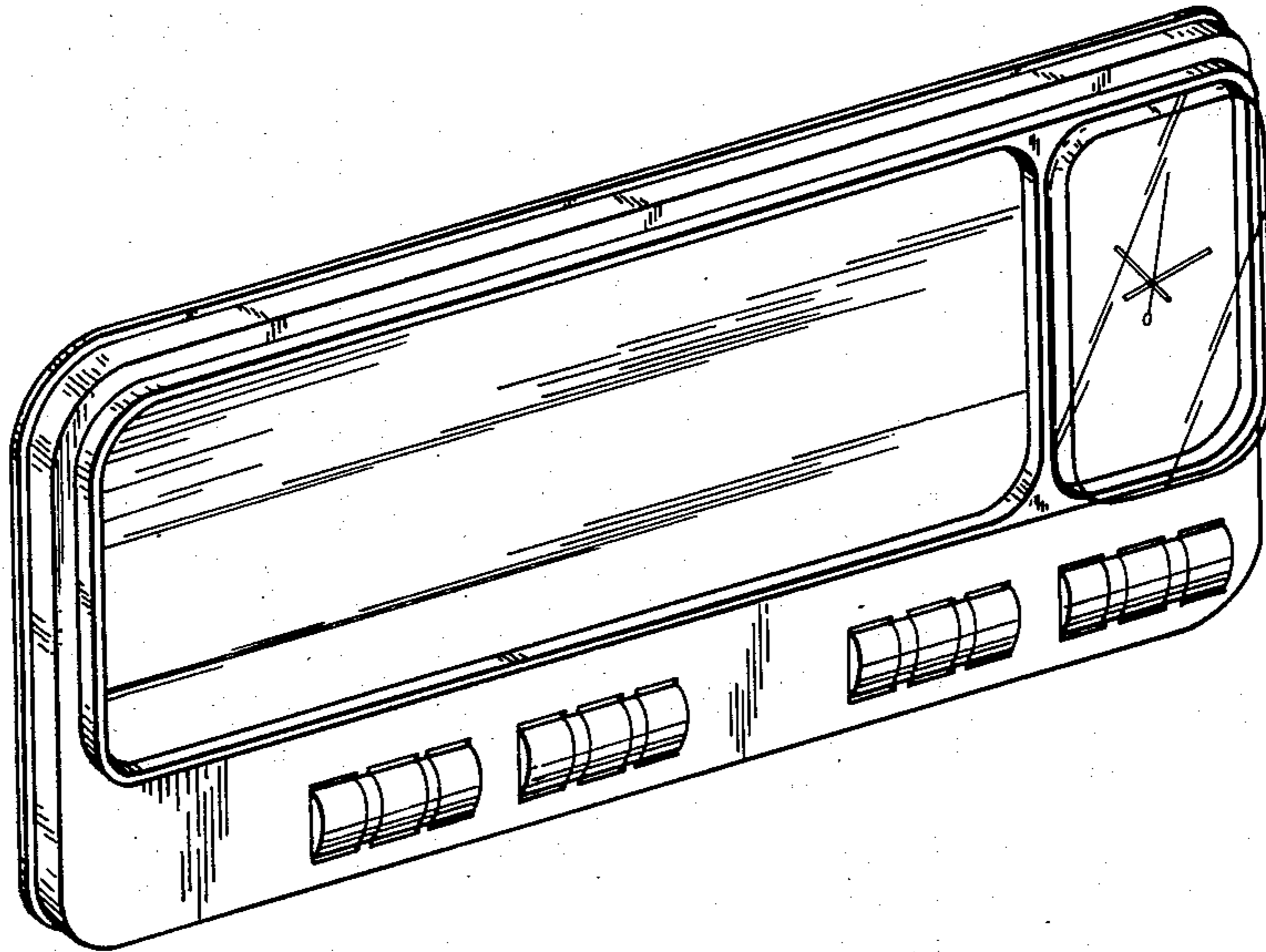
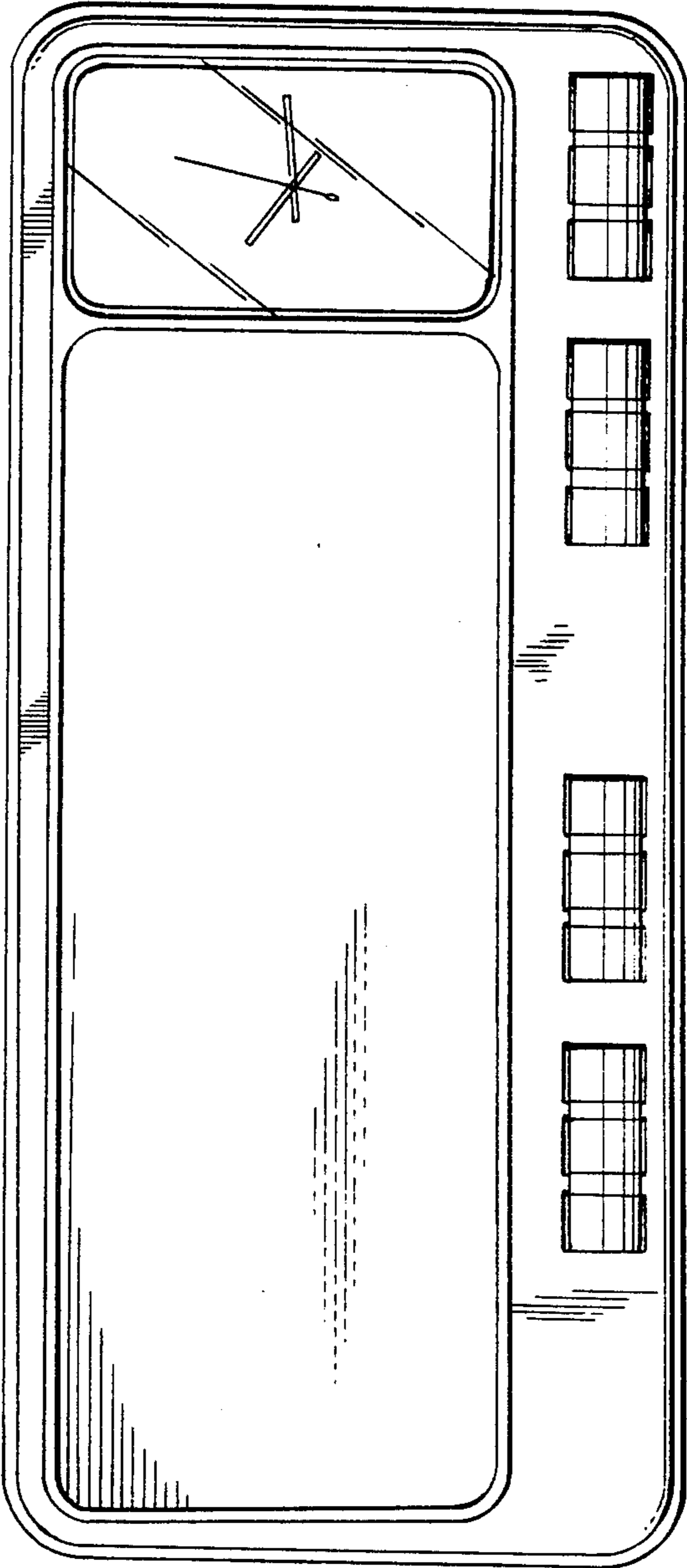


FIG. 1



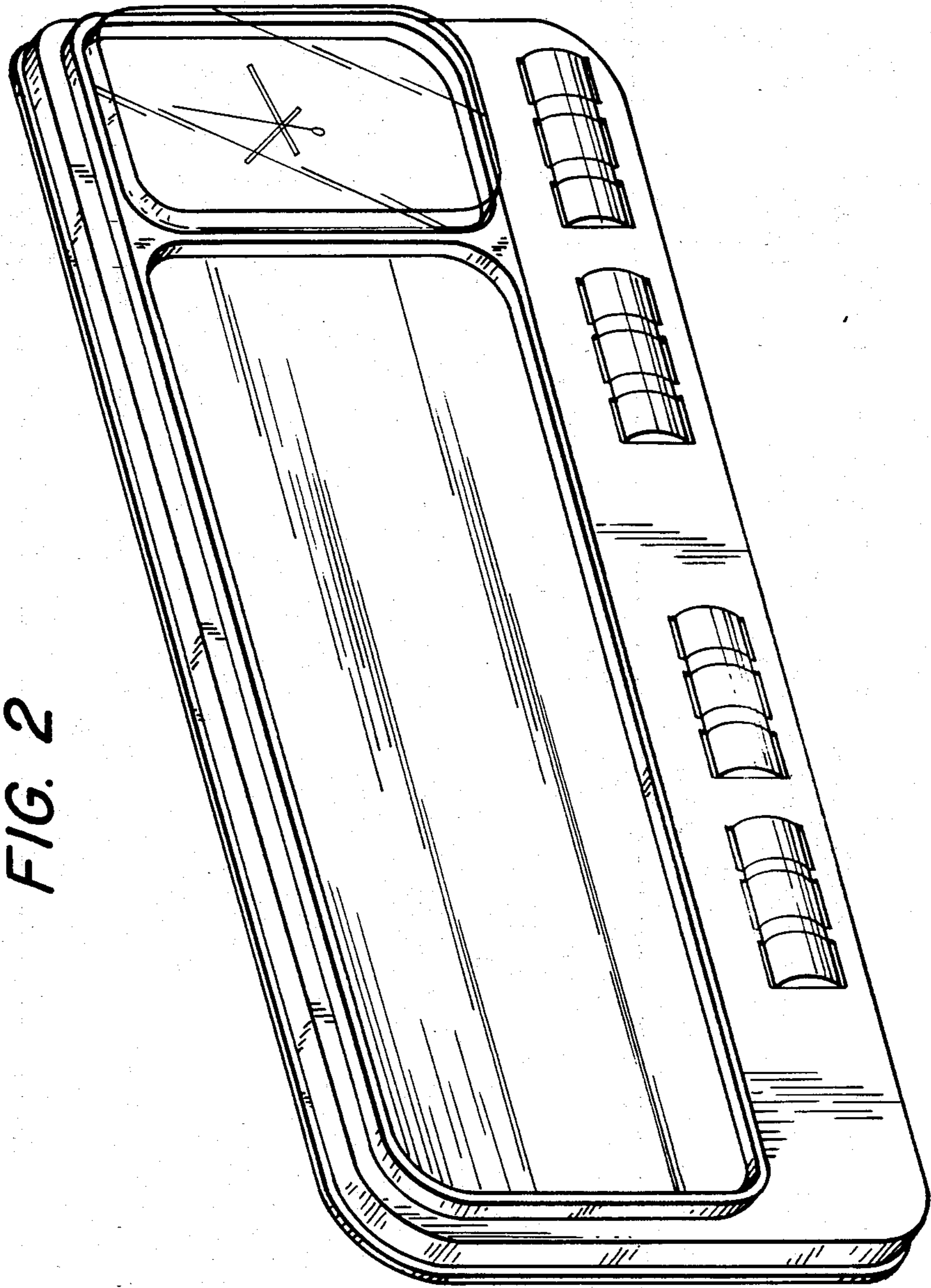


FIG. 2

FIG. 4

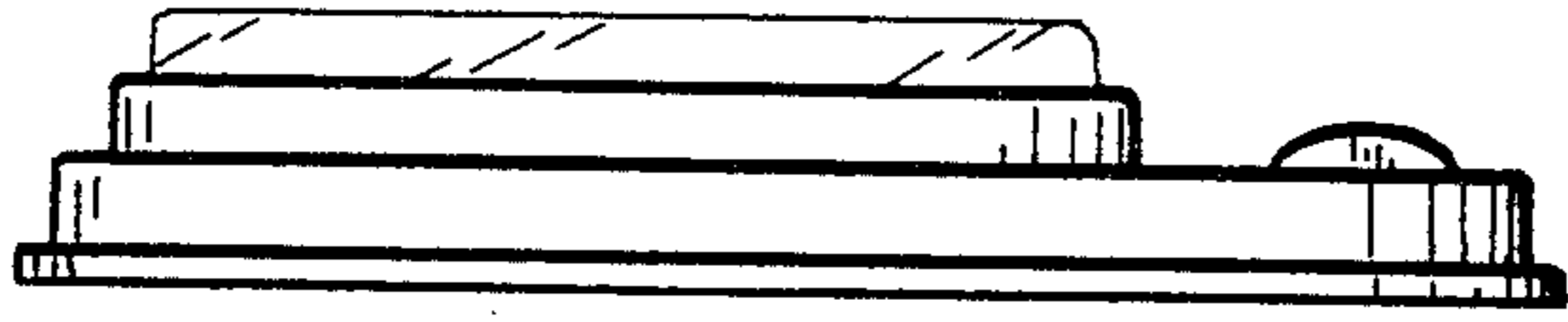


FIG. 3

