

[54] RIM-ATTACHED BRACKET FOR MOUNTING A DRUM OR BODY-WORN CARRIER

[76] Inventor: Thomas R. LaFlame, 107 Noble Ave., Pittsburgh, Pa. 15202

[**] Term: 14 Years

[21] Appl. No.: 473,019

[22] Filed: Mar. 7, 1983

[52] U.S. Cl. D17/22; D8/373; D17/99

[58] Field of Search D17/22; D8/373; 84/421; 224/910

[56] References Cited

U.S. PATENT DOCUMENTS

3,106,123	10/1963	Johannsen	84/421
3,974,732	8/1976	Kester	84/421
4,256,007	3/1981	Streit	84/421
4,387,839	6/1983	Dranchak	84/421 X
4,453,442	6/1984	LaFlame	84/421

Primary Examiner—Jane E. Corrigan

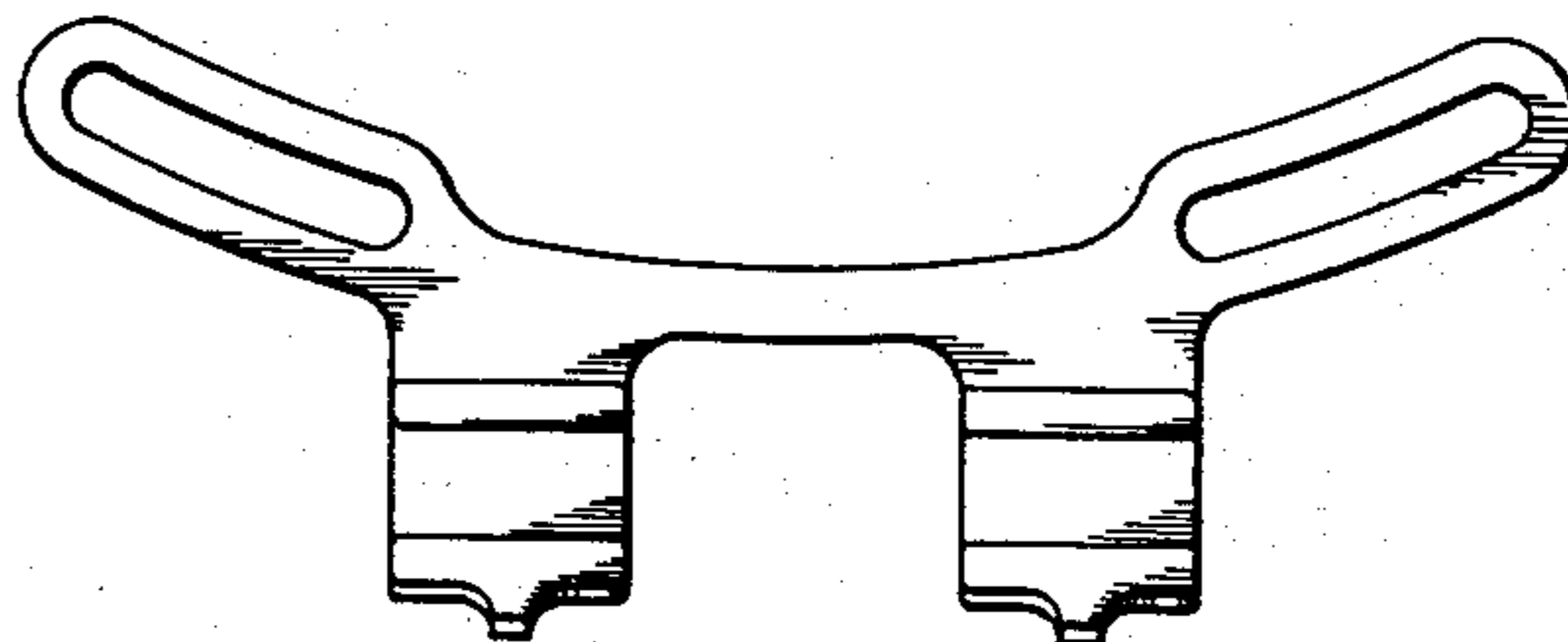
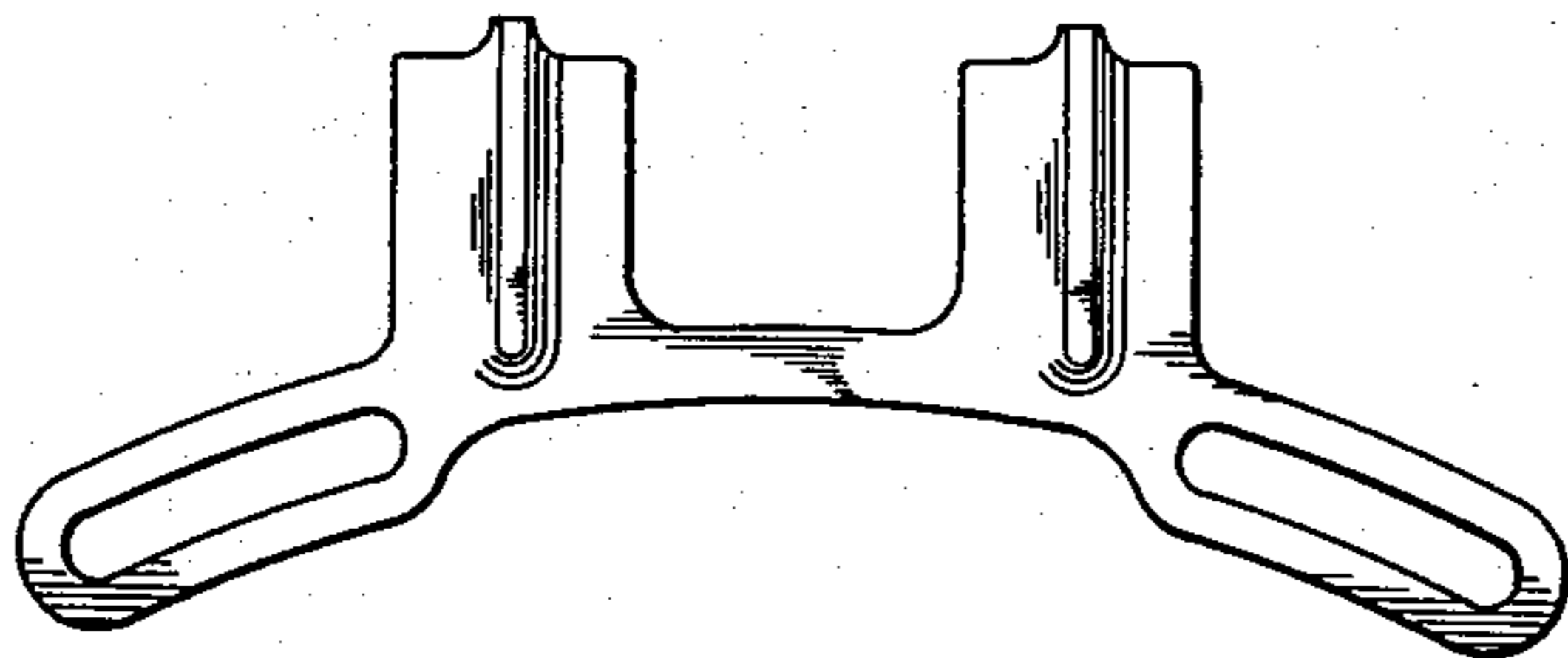
Attorney, Agent, or Firm—Thomas H. Murray; Clifford A. Poff

[57] CLAIM

The ornamental design for a rim-attached bracket for mounting a drum or body-worn carrier, as shown and described.

DESCRIPTION

FIG. 1 is a top plan view of a drum carrier bracket showing my new design;
 FIG. 2 is a front elevational view thereof;
 FIG. 3 is a rear elevational view thereof;
 FIG. 4 is a right-side elevational view thereof;
 FIG. 5 is a bottom plan view thereof;
 FIG. 6 is a top plan view of a modified form of a rim-attached bracket for mounting a drum on a body-worn carrier showing my new design, wherein the grips which engage the body-worn carrier frame are not plain;
 FIG. 7 is a front elevational view thereof;
 FIG. 8 is a rear elevational view thereof;
 FIG. 9 is a right-side elevational view thereof; and
 FIG. 10 is a bottom plan view thereof.



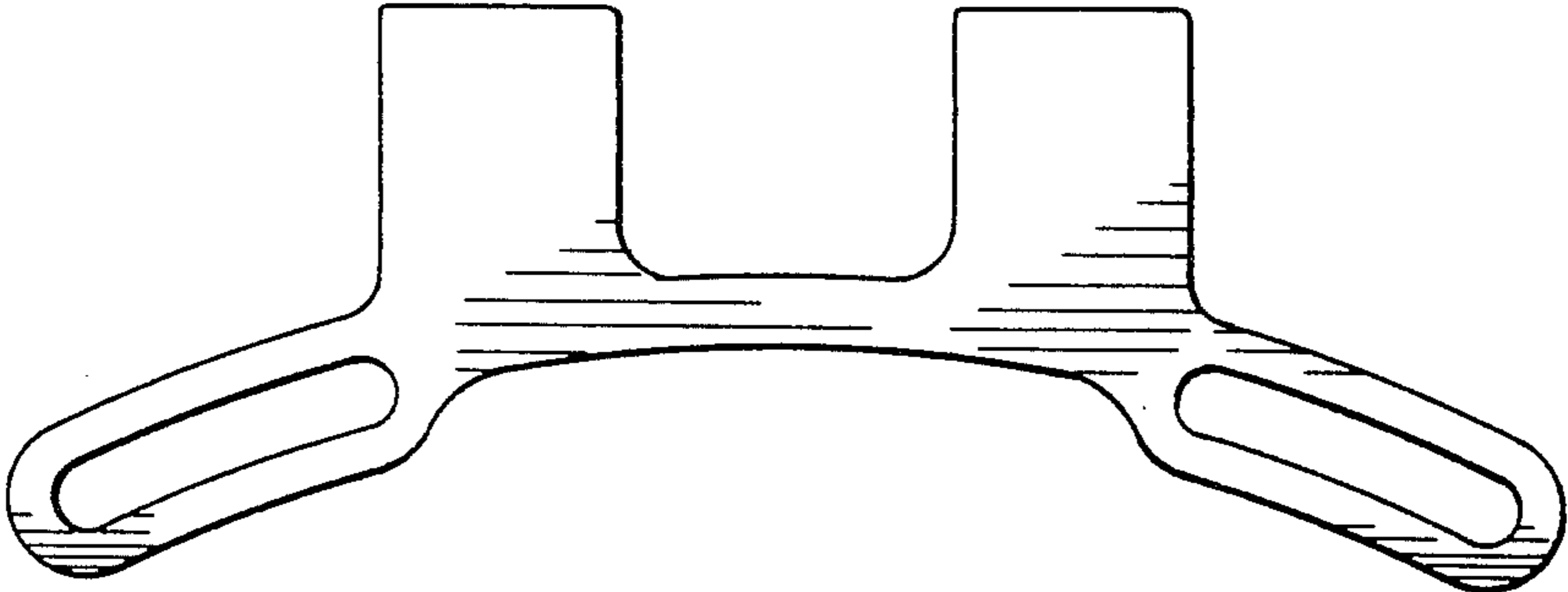


Fig. 1

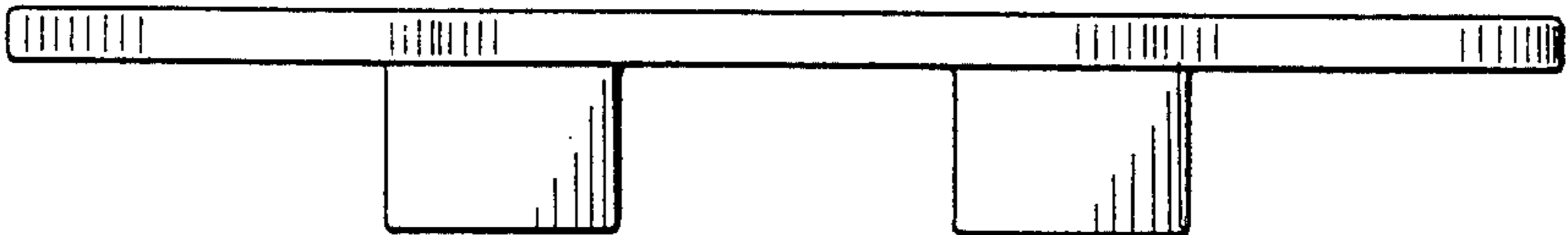


Fig. 2

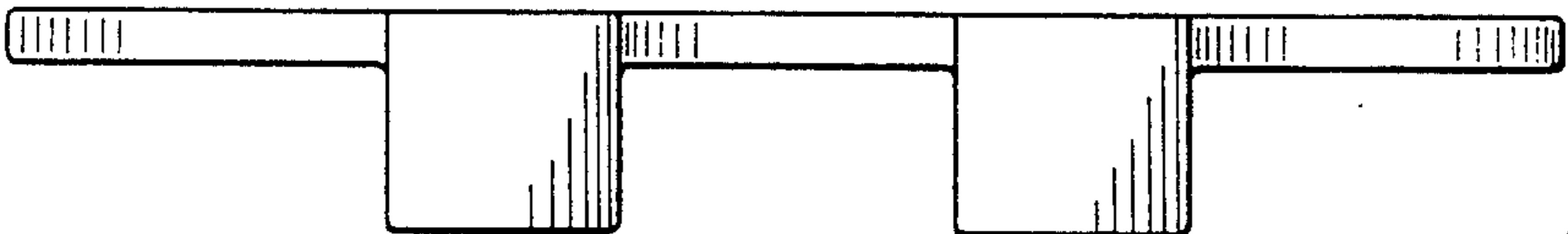


Fig. 3

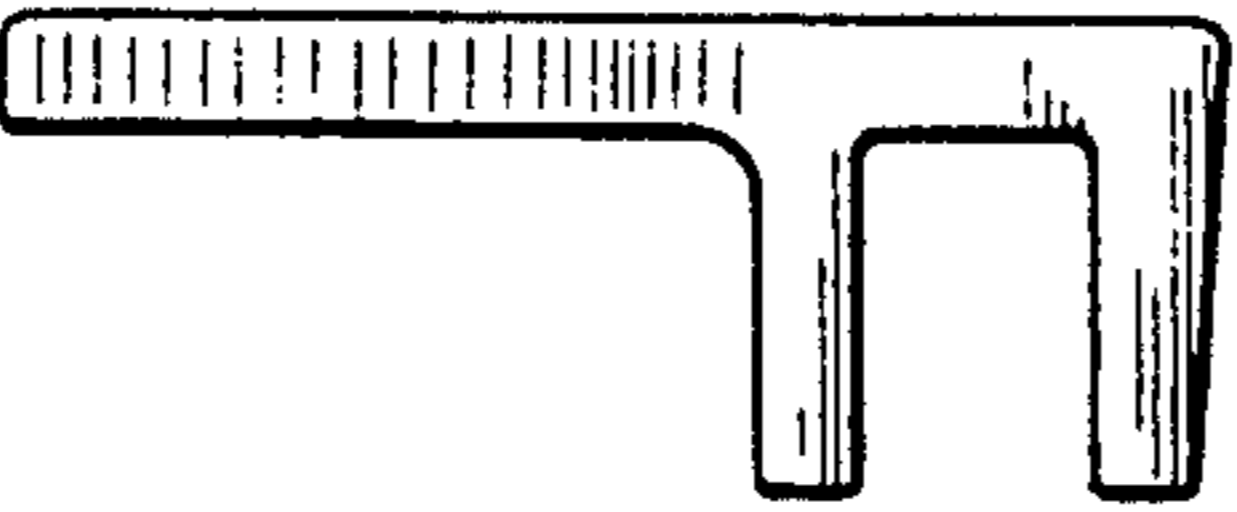


Fig. 4

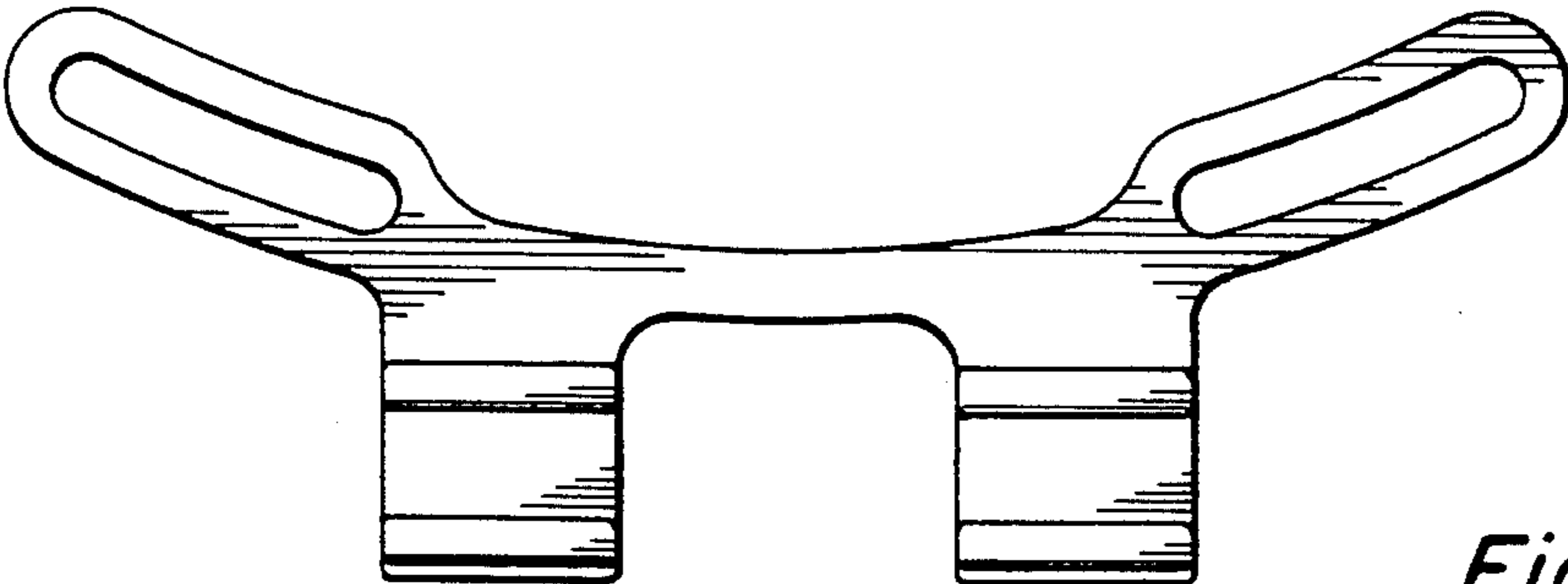


Fig. 5

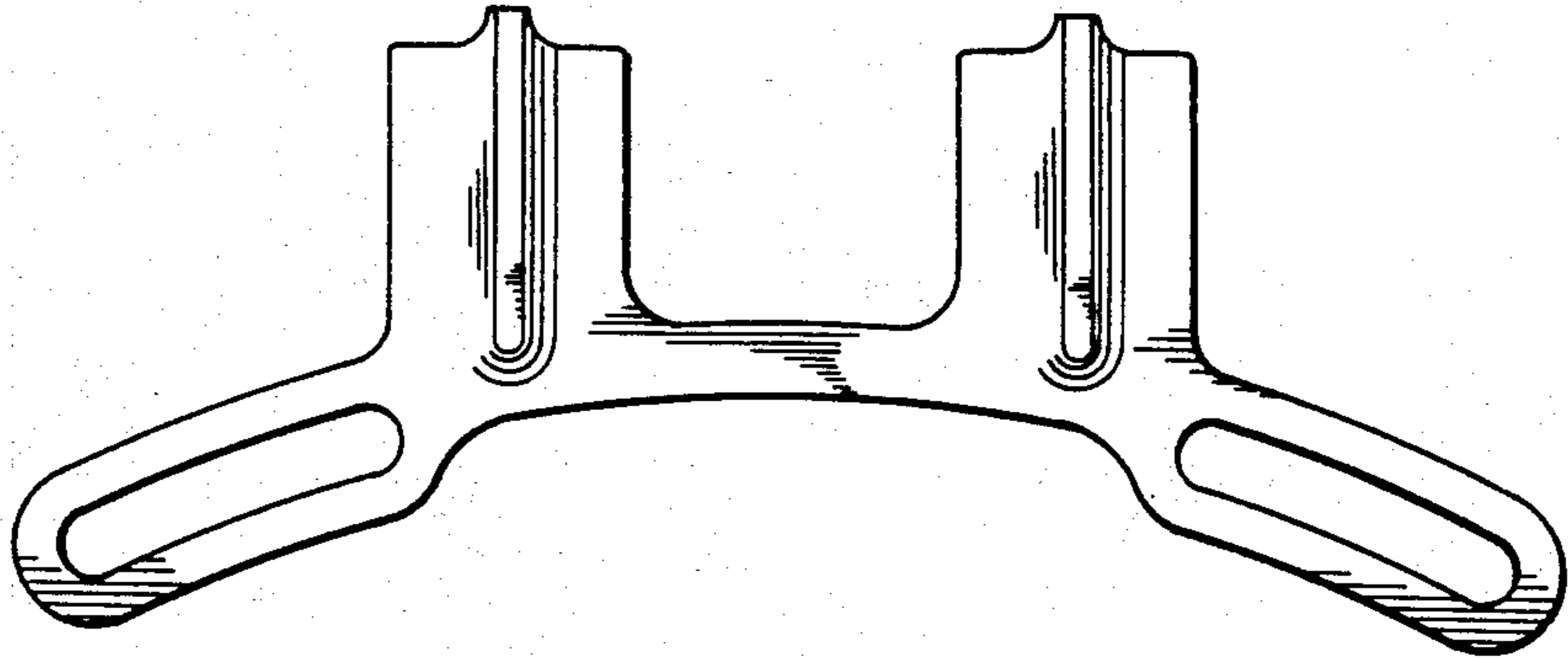


Fig. 6

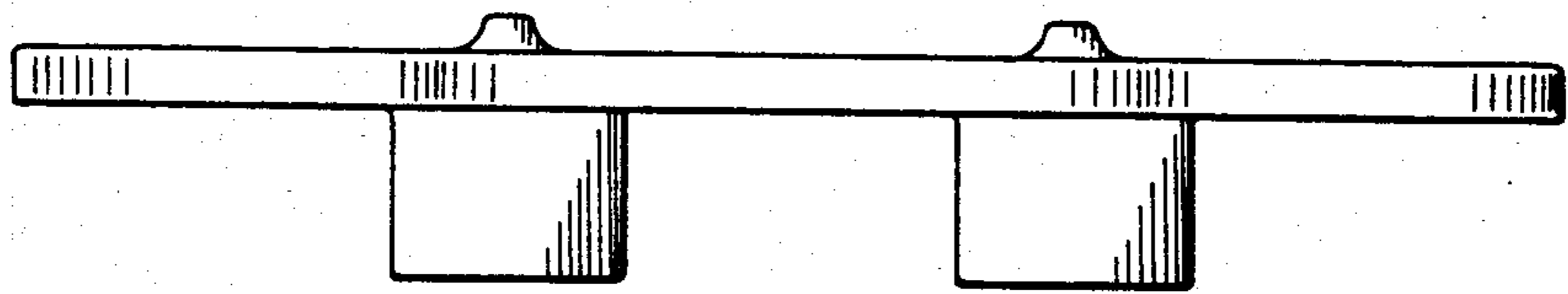


Fig. 7

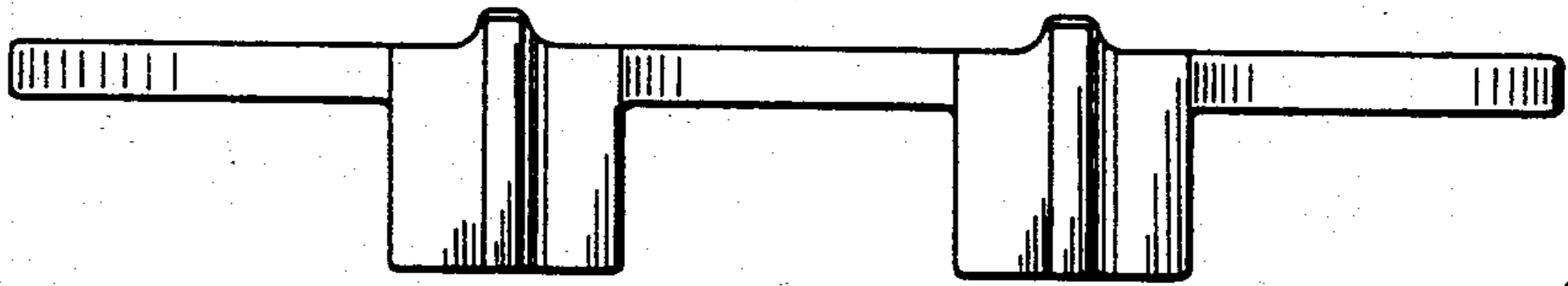


Fig. 8

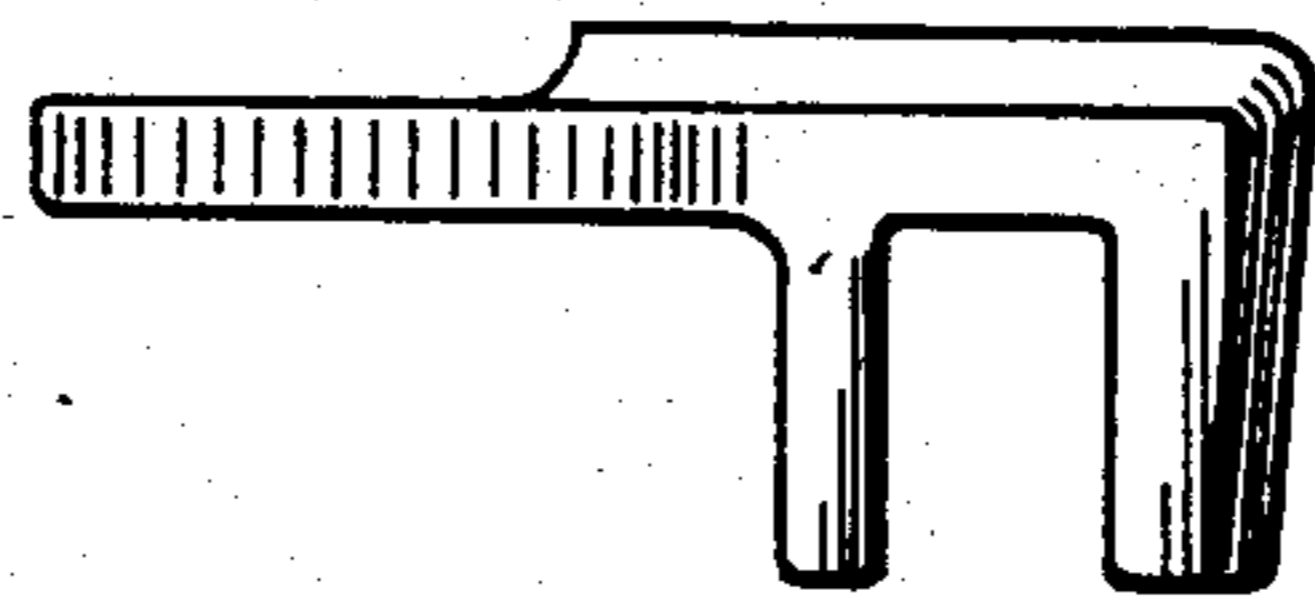


Fig. 9

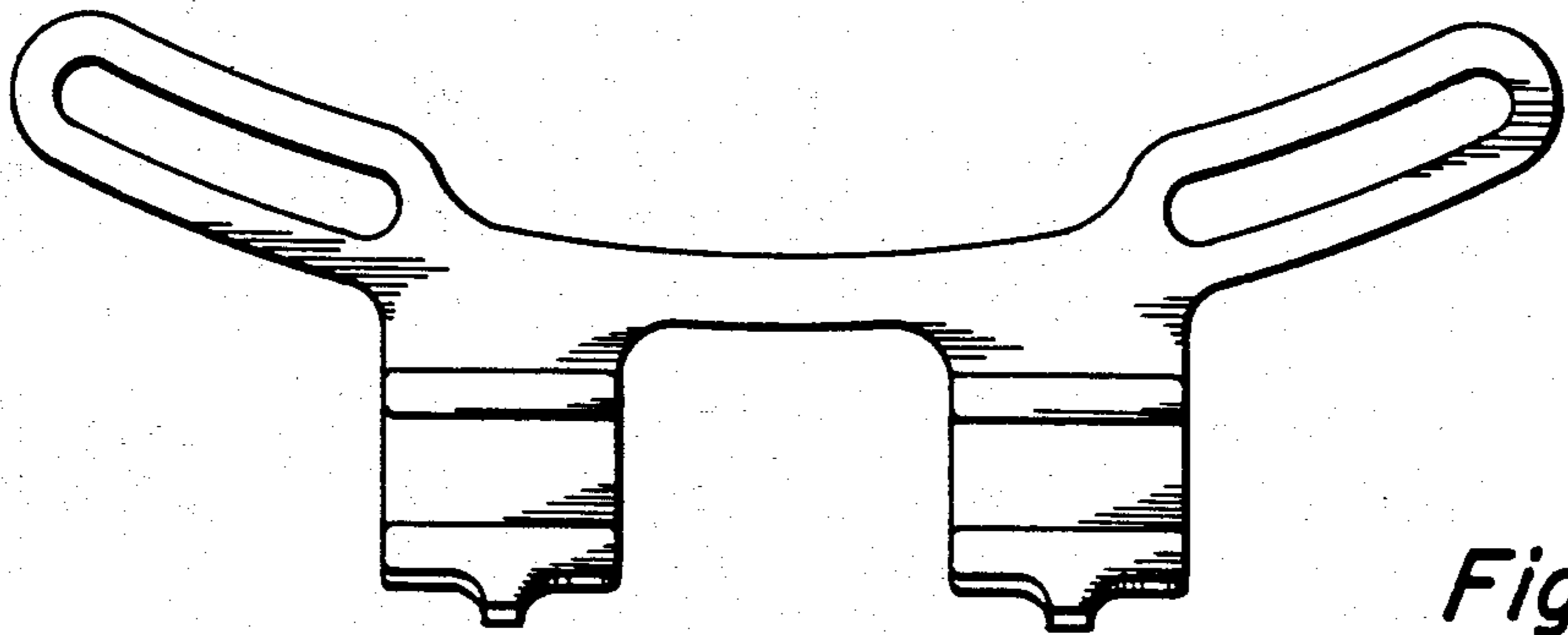


Fig. 10