

United States Patent [19]

Overman et al.

[11] Patent Number: **Des. 279,684**

[45] Date of Patent: **** Jul. 16, 1985**

[54] **MICROFORM DUPLICATOR**

[75] Inventors: **John W. Overman, Phoenix, Ariz.;**
Thomas R. Wells, Des Plaines, Ill.

[73] Assignee: **Bell & Howell Company, Chicago, Ill.**

[**] Term: **14 Years**

[21] Appl. No.: **502,021**

[22] Filed: **Jun. 7, 1983**

[52] U.S. Cl. **D16/27**

[58] Field of Search **D16/27-32,**
D16/33, 38; 355/3, 3 SH, 5-14, 18-19, 14 SH,
44-45, 51, 54, 64-65

[56] **References Cited**

U.S. PATENT DOCUMENTS

D. 240,080 5/1976 Brown D16/27

D. 260,903	9/1981	Overman	D16/27
D. 266,252	9/1982	Sumi	D16/27
D. 275,201	8/1984	Taylor	D16/27
3,224,355	12/1965	Thomiszer	D16/27 X
3,522,991	8/1970	Bowen	D16/27 X

Primary Examiner—Nelson C. Holtje
Attorney, Agent, or Firm—Neal C. Johnson; Alan H. Haggard

[57] **CLAIM**

The ornamental design for a microform duplicator, as shown and described.

DESCRIPTION

FIG. 1 is a front and top-right perspective view of a microform duplicator showing our new design; FIG. 2 is a left side elevational view thereof; FIG. 3 is a top plan view thereof; FIG. 4 is a bottom plan view thereof; and FIG. 5 is a rear elevational view thereof.

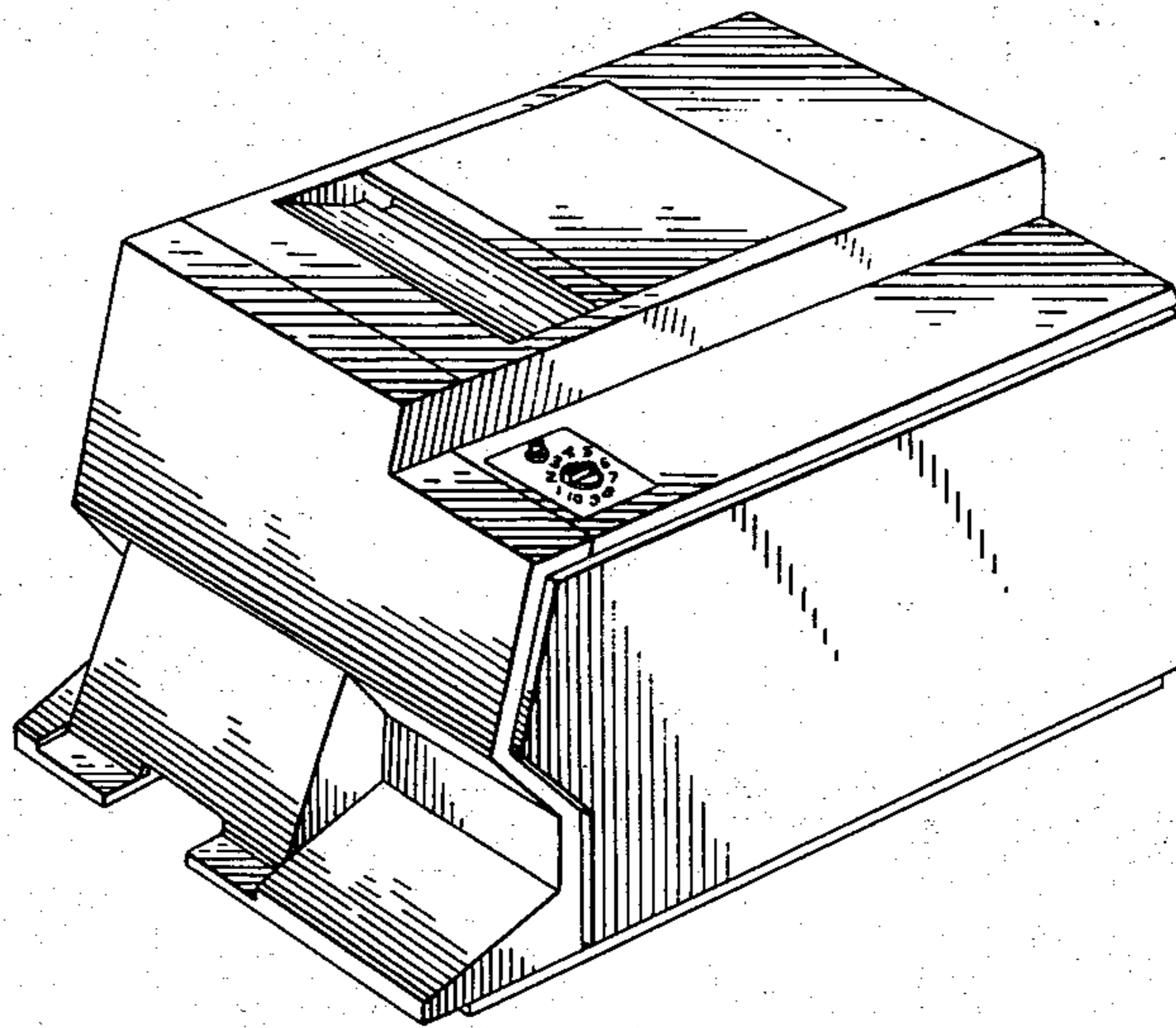


Fig. 1.

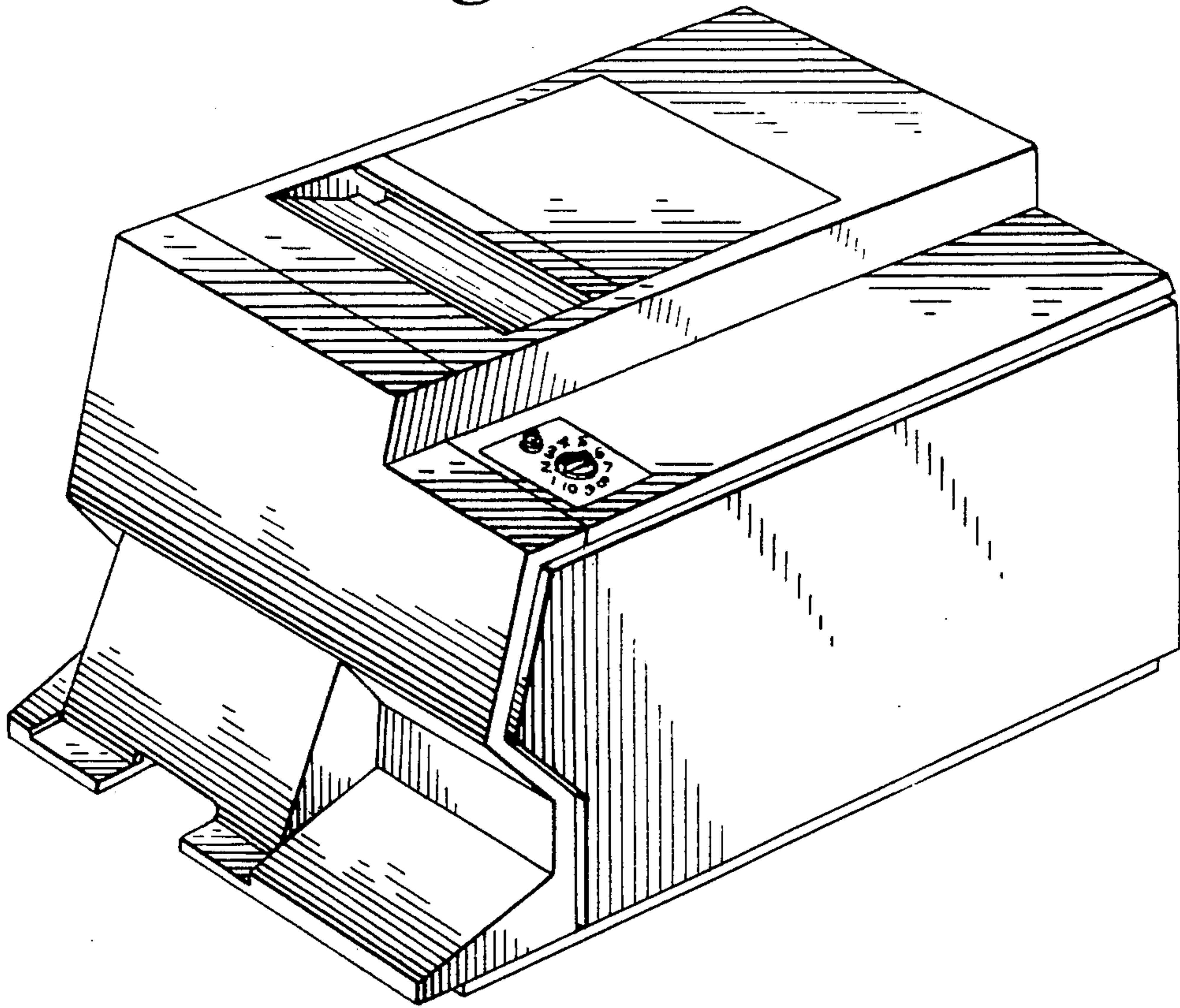


Fig. 2.

