

[54] **FILM CARTRIDGE CONTAINER ACCESSORY**

[76] Inventor: **Bill R. Olsen**, 2650 W. 220 N., Provo, Utah 84601

[**] Term: **14 Years**

[21] Appl. No.: **484,852**

[22] Filed: **Apr. 14, 1983**

[52] U.S. Cl. **D16/10; D16/38; D16/47**

[58] Field of Search **D16/1, 2, 5-10, D16/38, 44, 47; D3/33, 35; 354/75-76, 80-81, 292-293; 206/316, 387, 444, 455, 461-468, 477, 480, 484**

[56] **References Cited**

U.S. PATENT DOCUMENTS

D. 184,448	2/1959	Marson	D16/47
D. 196,757	10/1963	Mechnick	D16/47
D. 236,916	9/1975	Wolfe	D16/10
2,839,668	6/1958	Mills	354/293 X
2,858,751	11/1958	Lopez	354/75
3,650,188	3/1972	Whall	354/75 X

3,774,519	11/1973	Johnson	354/293
3,791,514	2/1974	Watanabe	206/316 X
3,821,771	6/1974	Johnson	354/293
3,836,925	9/1974	Steponaitiis	206/316 X
4,313,665	2/1982	Spitz	354/293
4,340,285	7/1982	Clarke	354/75

Primary Examiner—Nelson C. Holtje
Attorney, Agent, or Firm—William H. Wright

[57] **CLAIM**

The ornamental design for a film cartridge container accessory, substantially as shown and described.

DESCRIPTION

FIG. 1 is a top and left-front perspective view of a film cartridge container accessory showing my new design; FIG. 2 is a bottom plan view thereof; FIG. 3 is a top plan view thereof; FIG. 4 is a front elevational view thereof; FIG. 5 is a rear elevational view thereof; FIG. 6 is a left side elevational view thereof; FIG. 7 is a right side elevational view thereof. The broken line showing of a camera in FIGS. 4, 5 and 7 are environmental only and form no part of the claimed design.

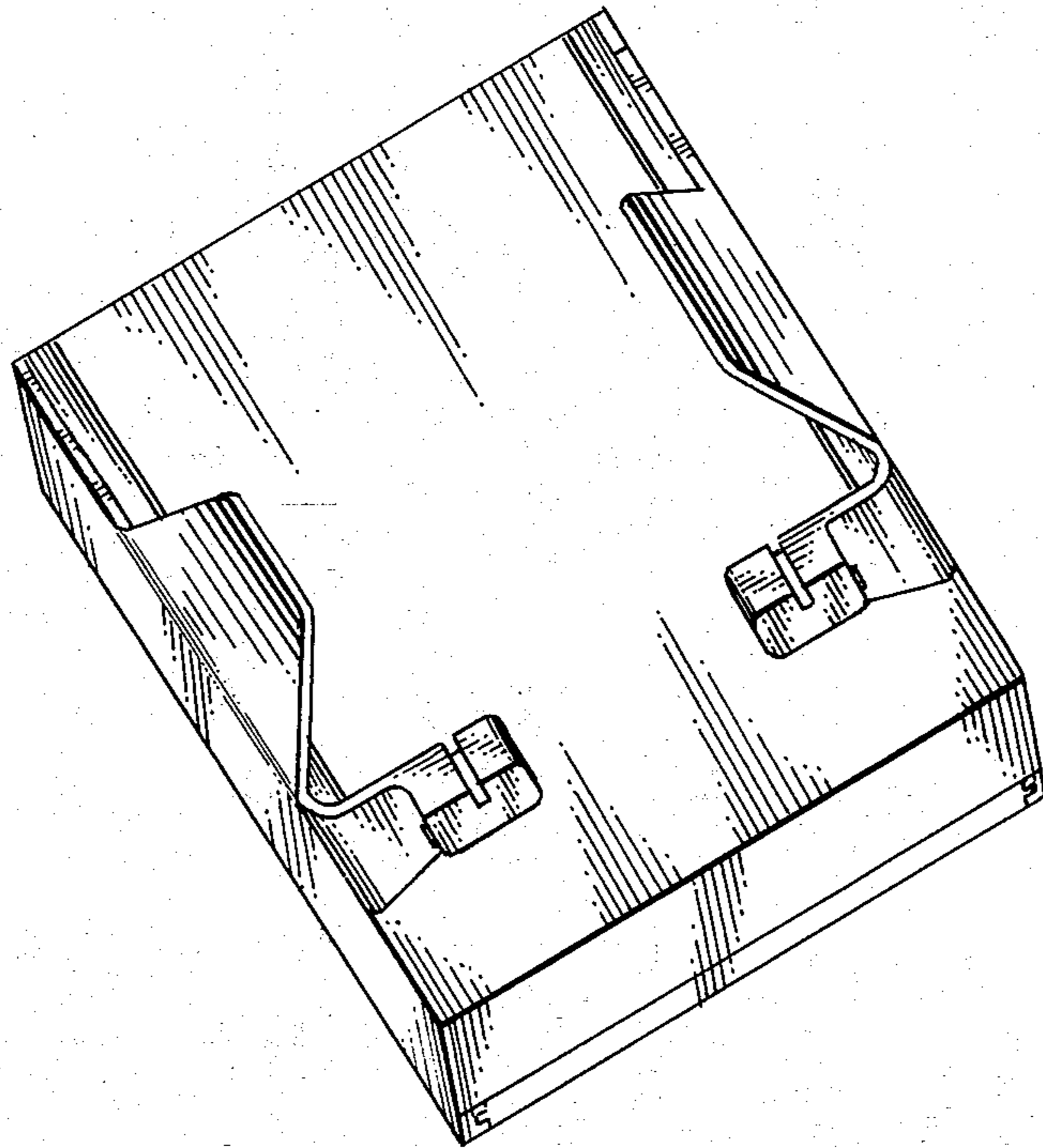


FIG. 1.

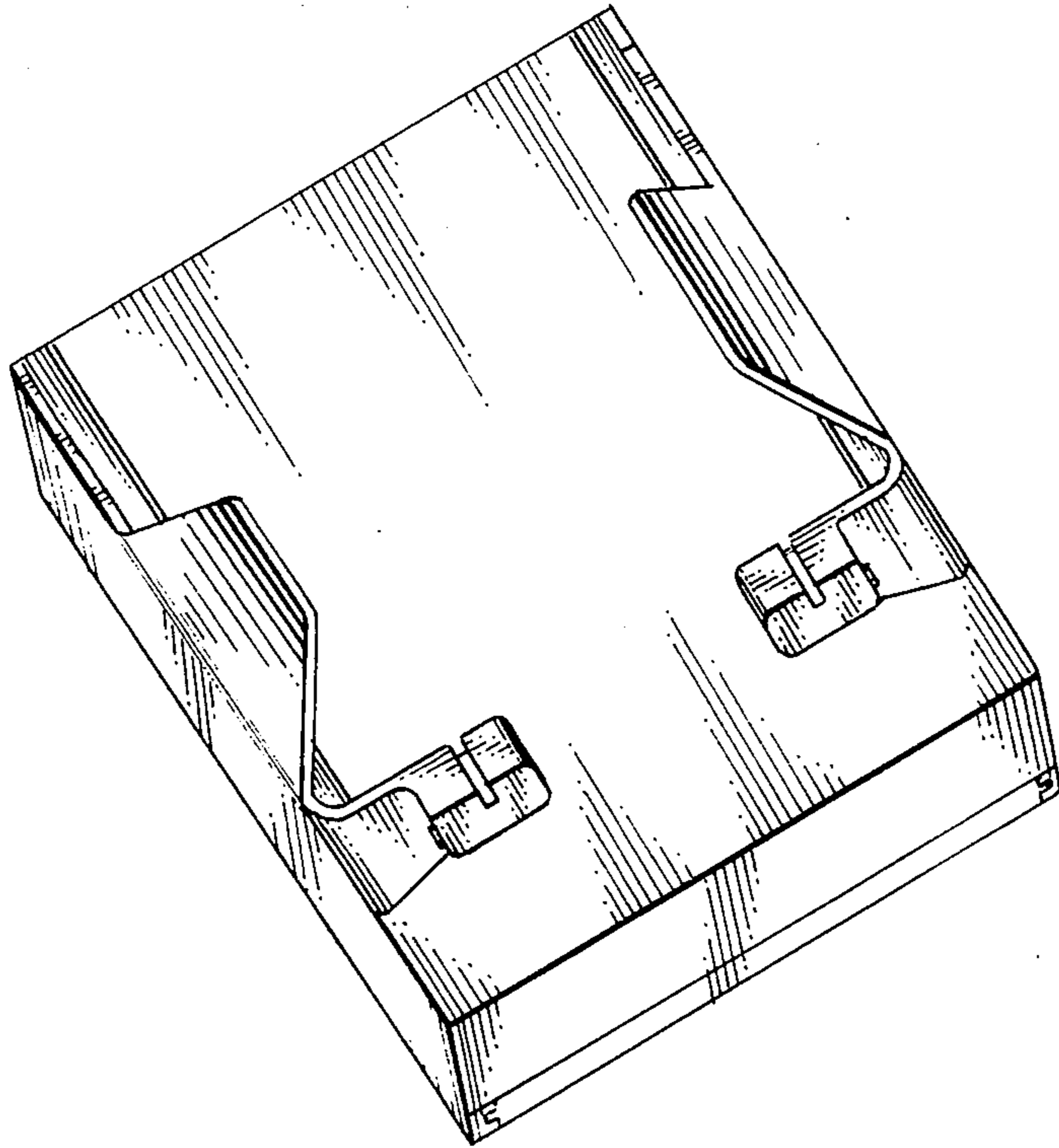


FIG. 2.

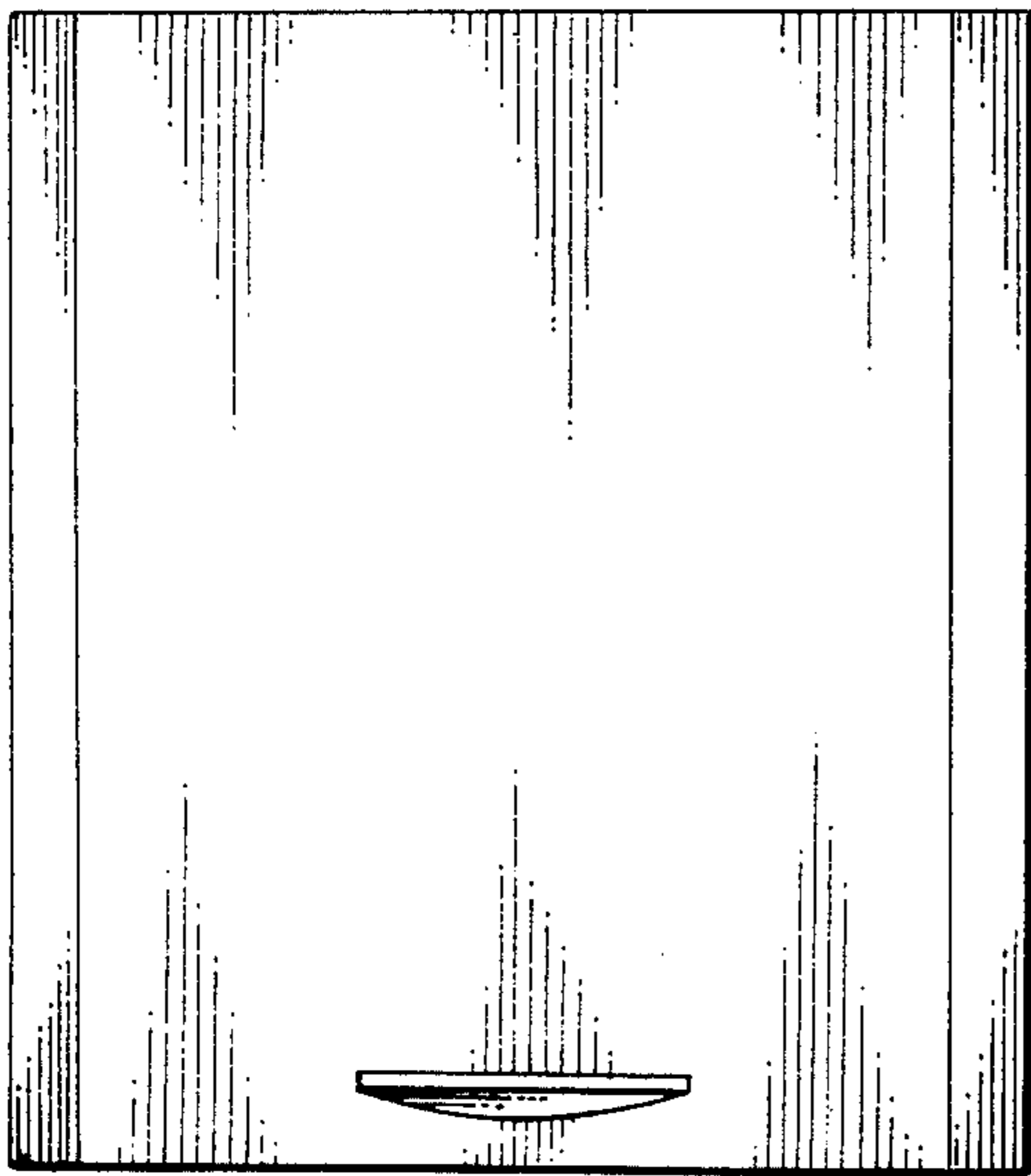


FIG. 3.

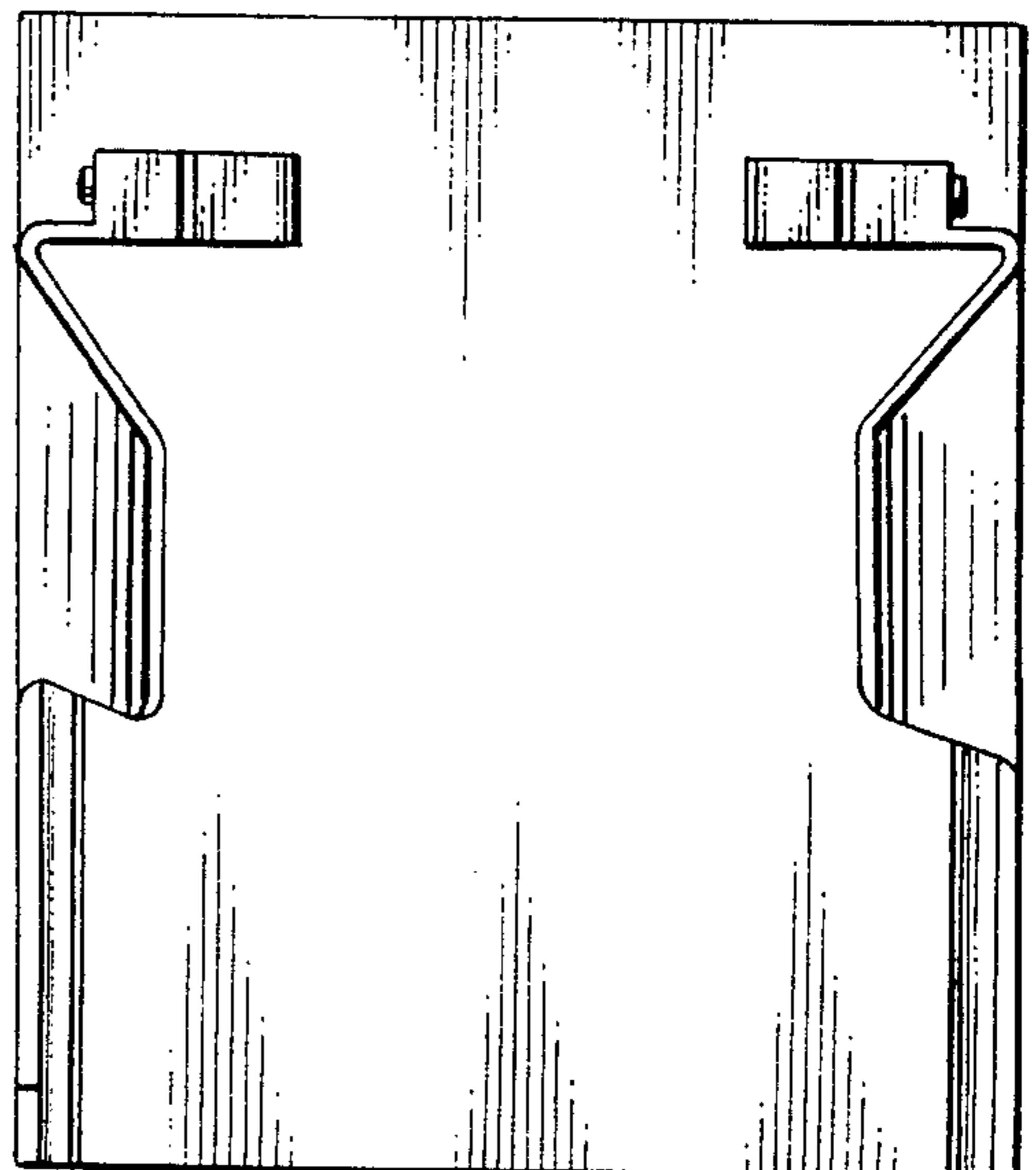


FIG. 4.

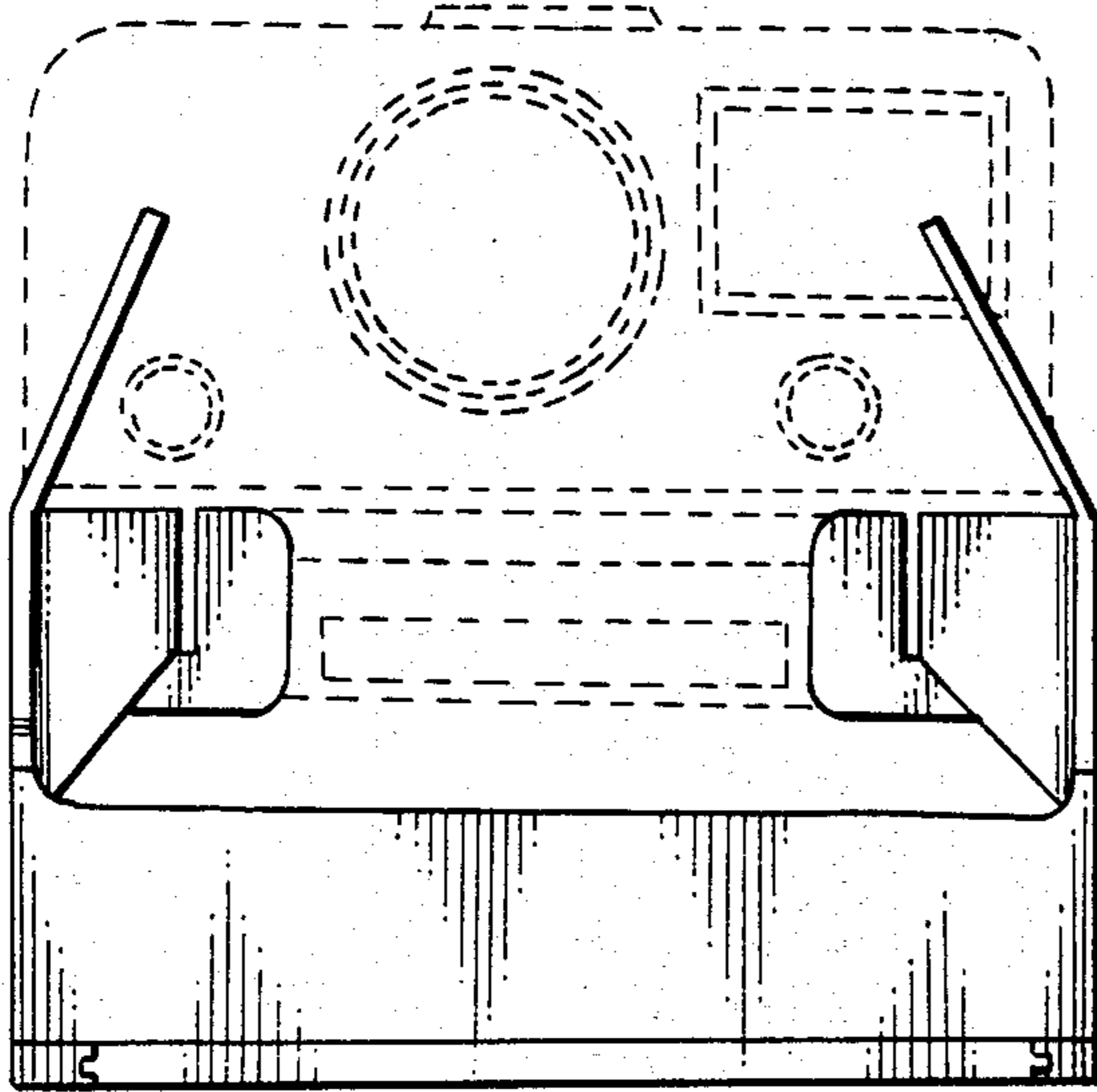


FIG. 5.

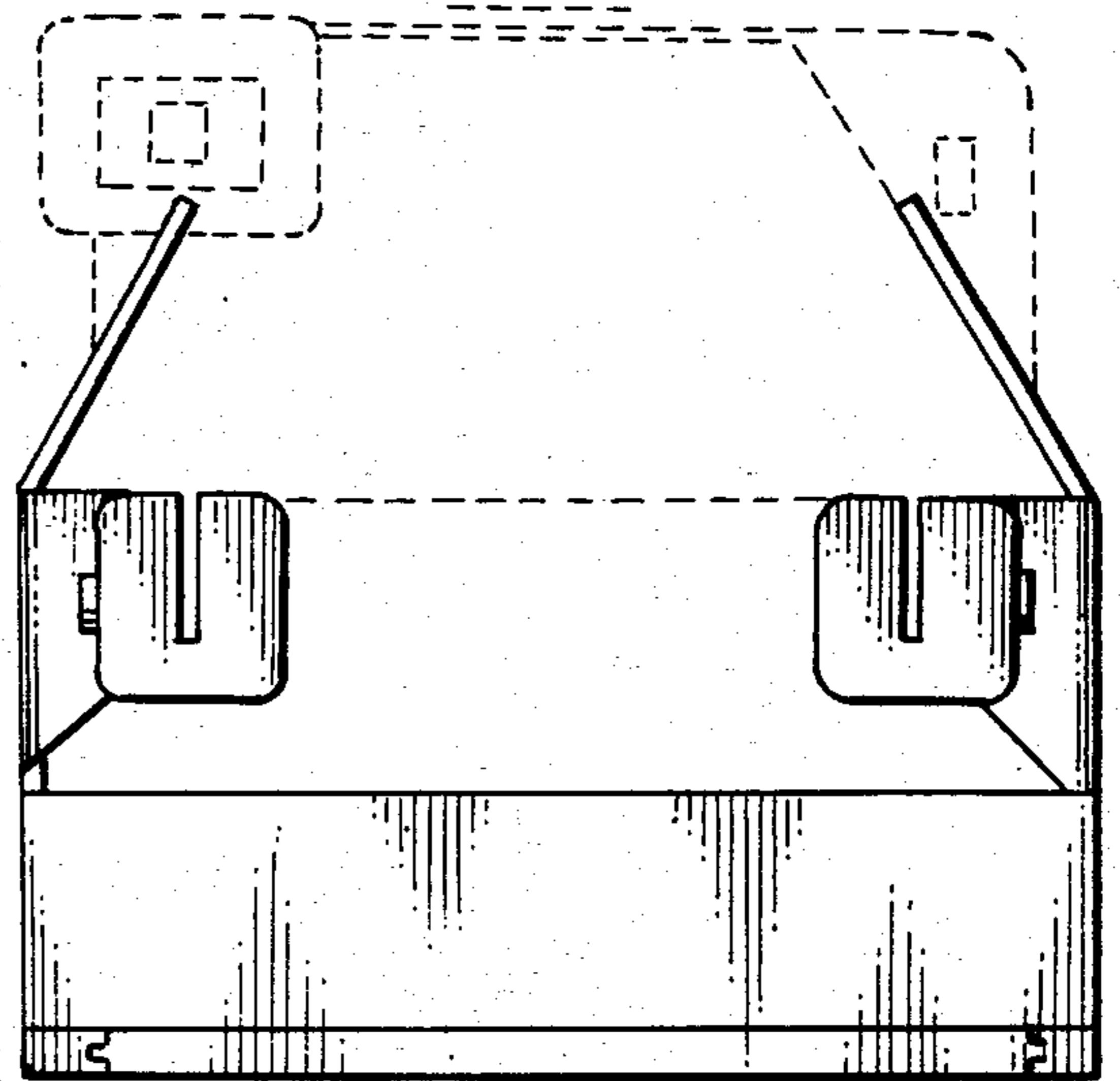


FIG. 6.

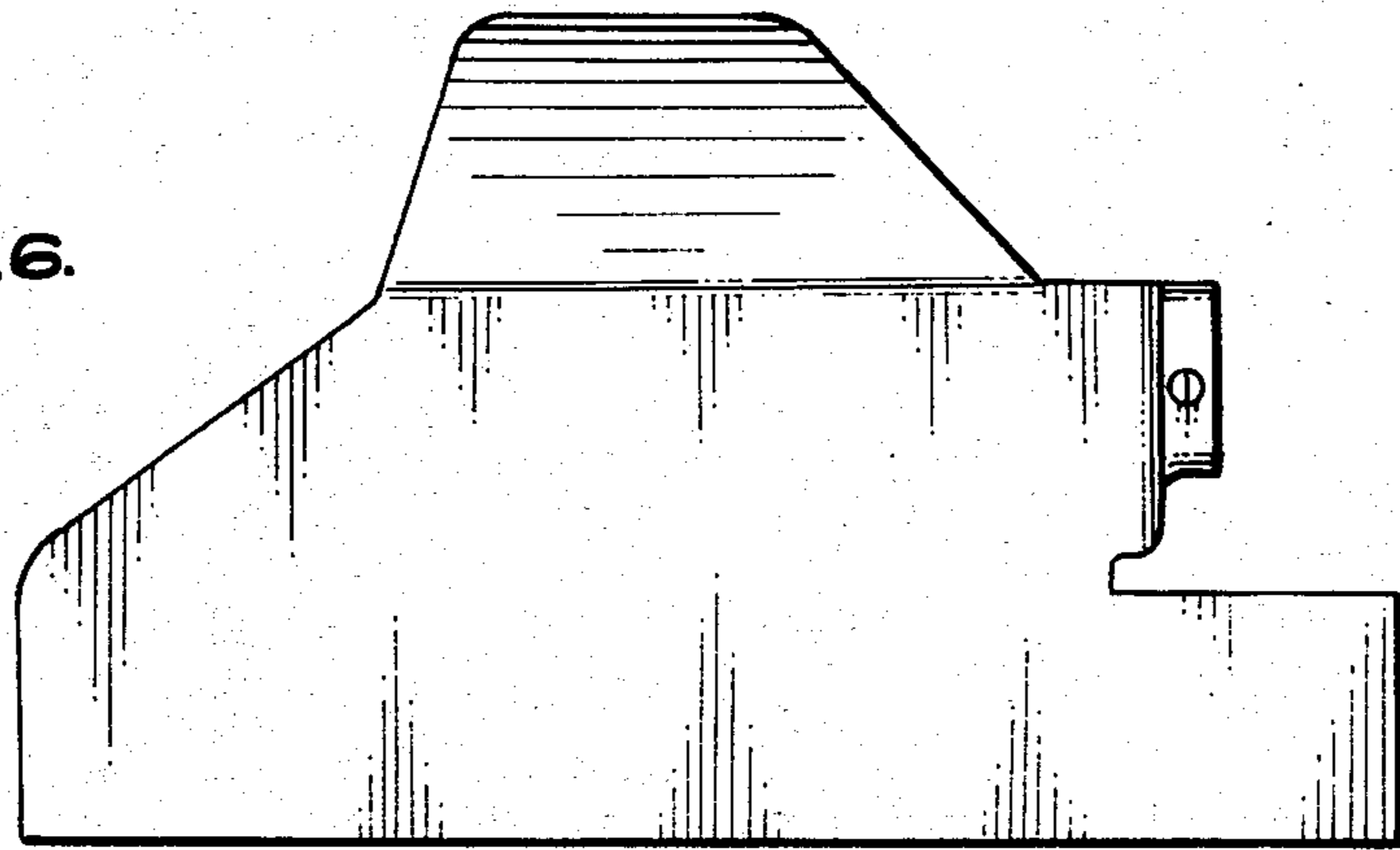


FIG. 7.

