

[54] SURFACING MACHINE FOR ENGINE HEADS OR THE LIKE

[75] Inventor: Richard D. Maxwell, Cedar Rapids, Iowa

[73] Assignee: Kwik-Way Manufacturing Corporation, Marion, Iowa

[**] Term: 14 Years

[21] Appl. No.: 445,654

[22] Filed: Nov. 30, 1982

[52] U.S. Cl. D15/124

[58] Field of Search D15/122, 124, 125, 199, D15/131; 51/132, 135 R, 135 BT, 137

[56] References Cited

U.S. PATENT DOCUMENTS

- 1,974,806 9/1934 Curtis et al. 51/135
- 3,608,245 9/1971 Fair, Jr. et al. 51/135 BT
- 3,872,627 3/1975 Schuster 51/135 R

Primary Examiner—B. J. Bullock

Attorney, Agent, or Firm—Hill, Van Santen, Steadman & Simpson

[57] CLAIM

The ornamental design for a surfacing machine for engine heads or the like, substantially as shown.

DESCRIPTION

FIG. 1 is a front perspective view of a surfacing machine for engine heads or the like showing my new design;

FIG. 2 is an end view taken from the left of FIG. 1;

FIG. 3 is an end view taken from the right of FIG. 1;

FIG. 4 is a top view thereof;

FIG. 5 is a bottom view thereof.

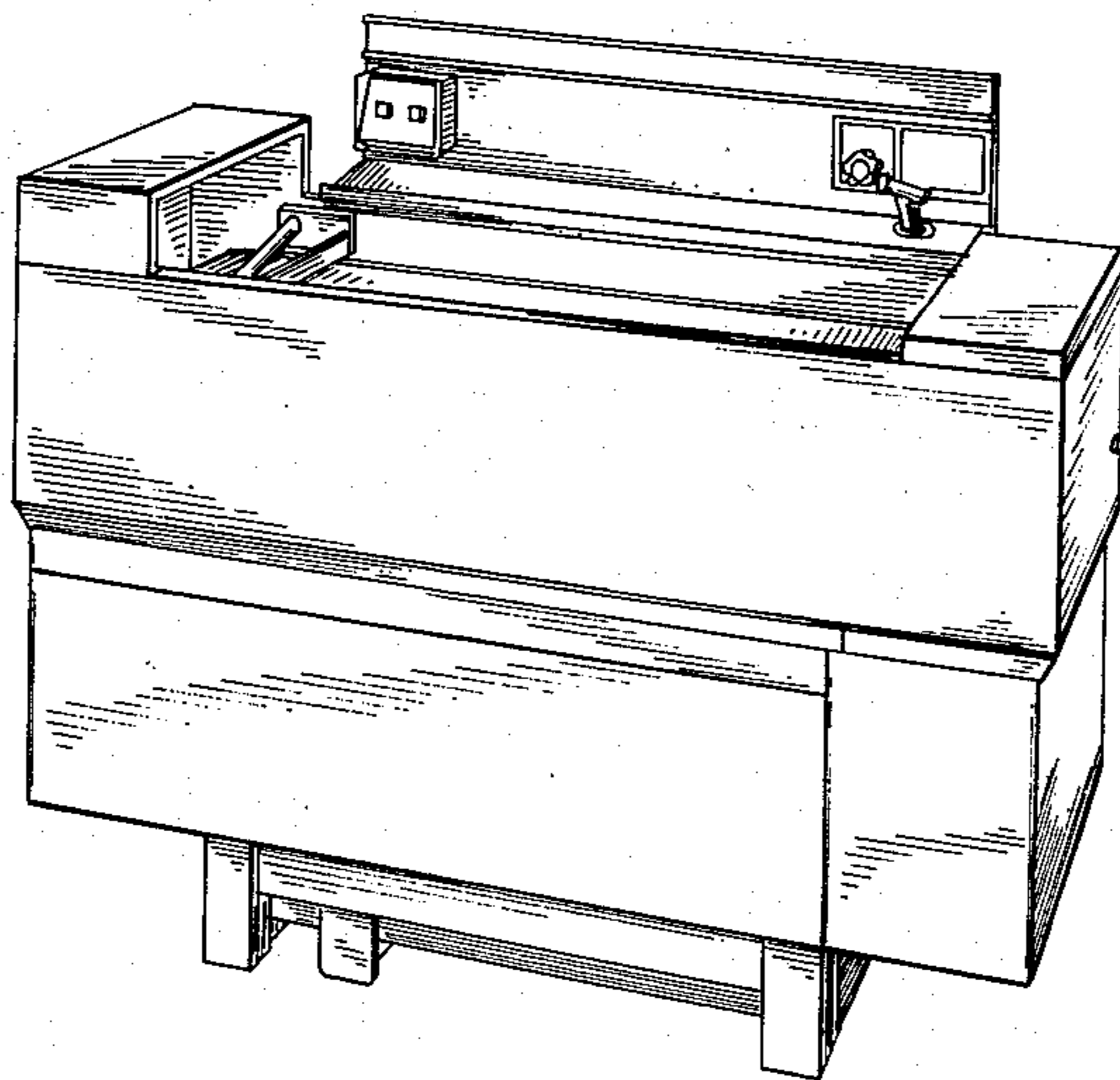


FIG. 1

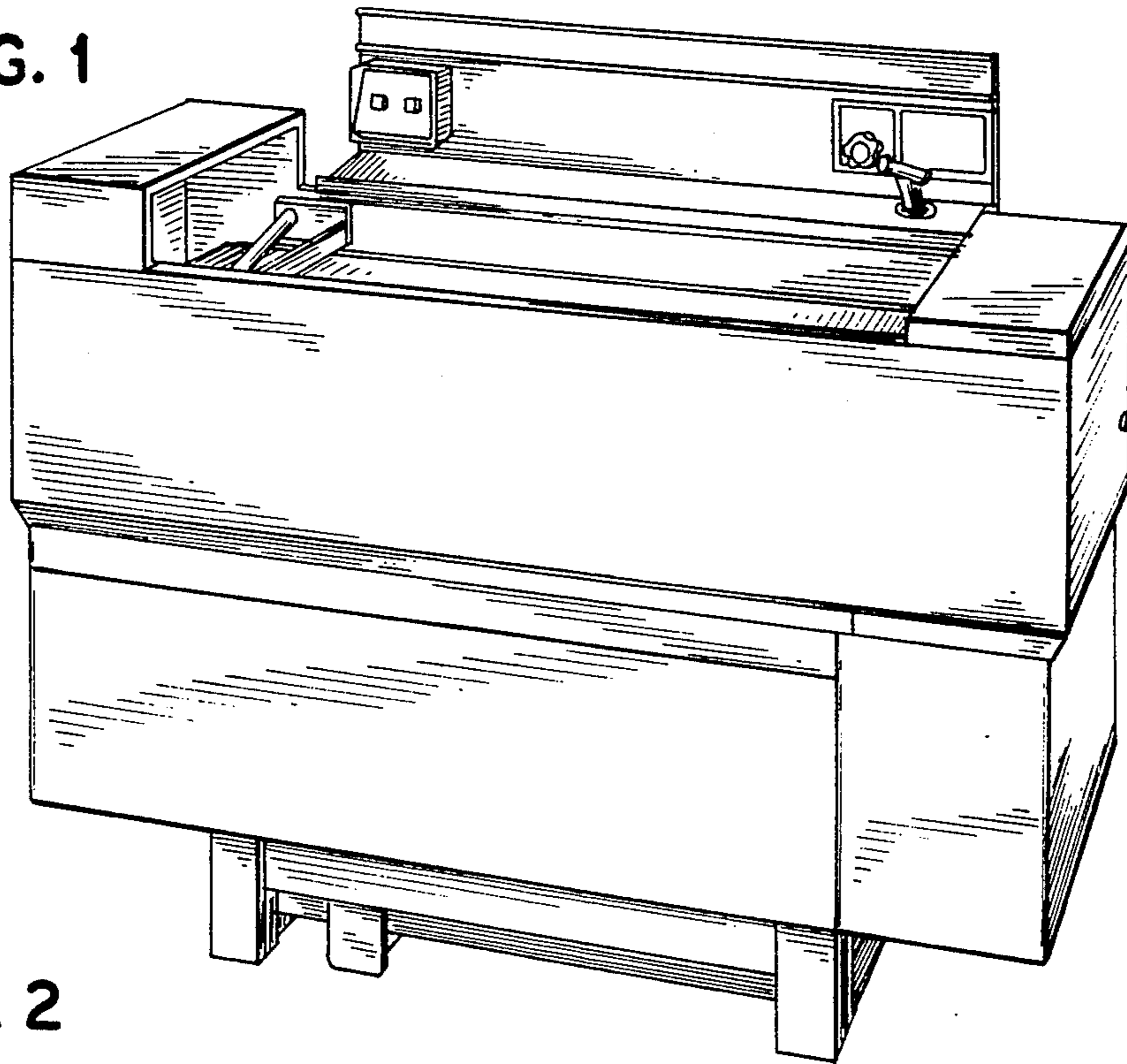


FIG. 2

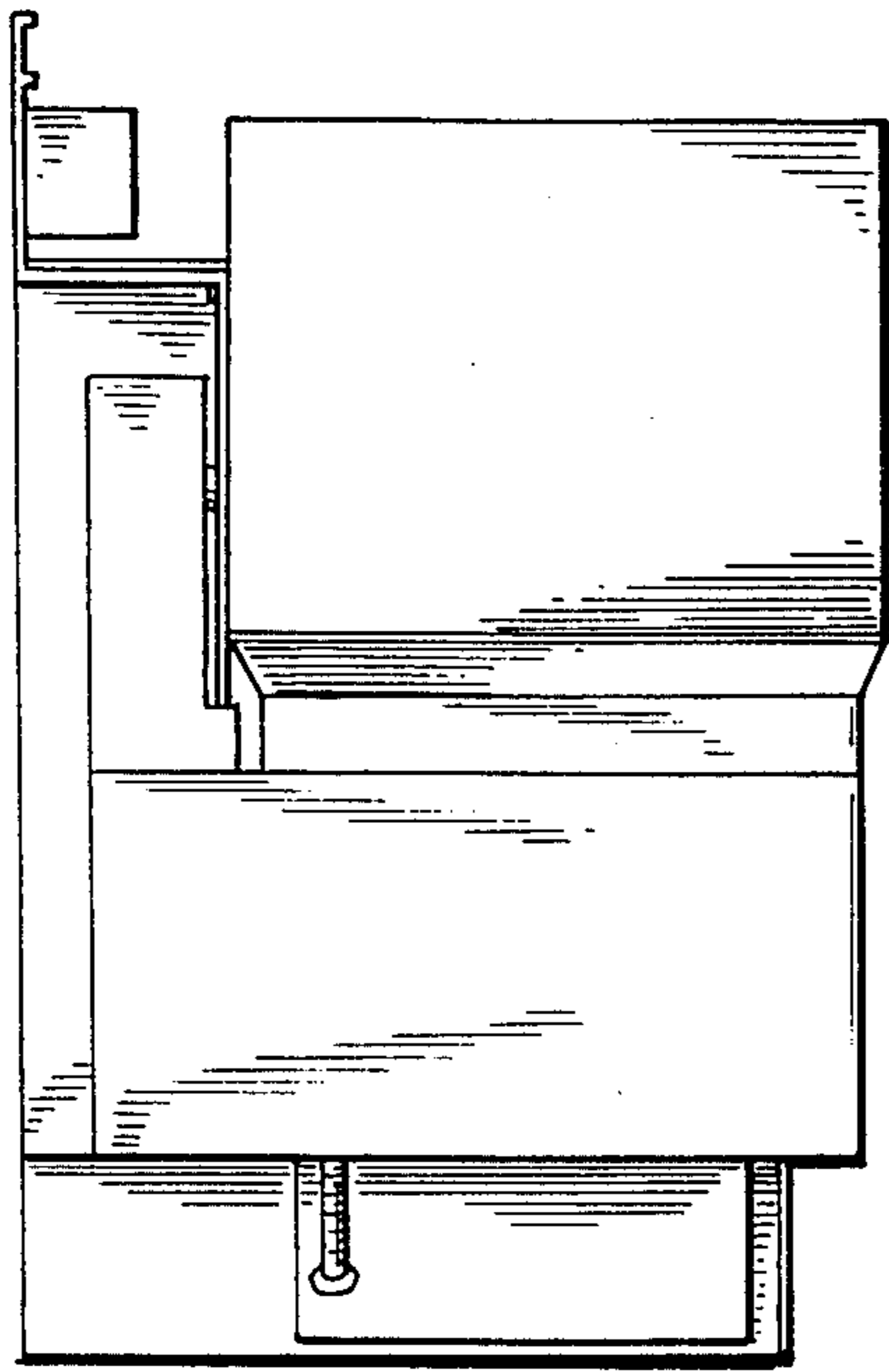


FIG. 3

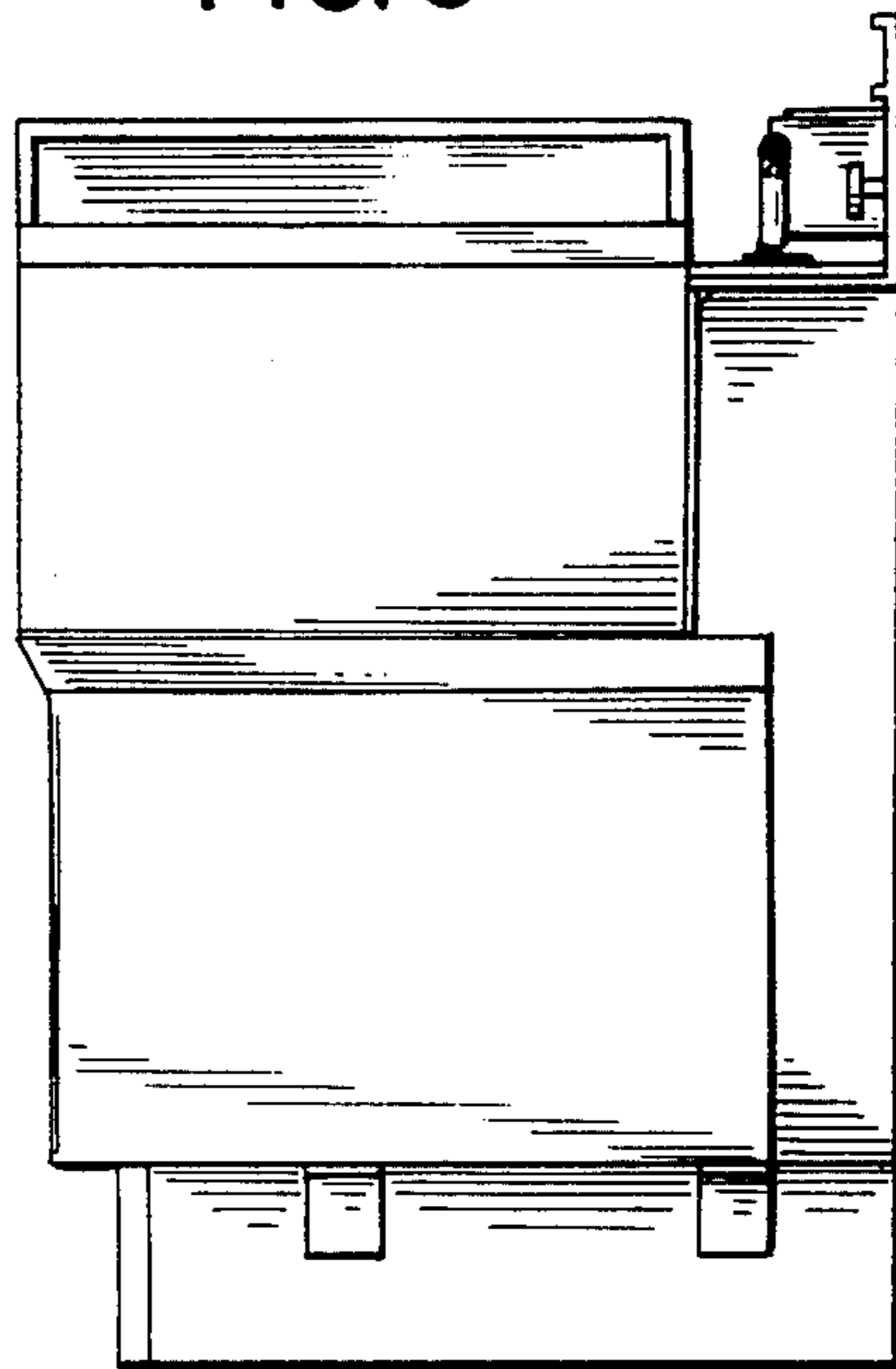


FIG. 4

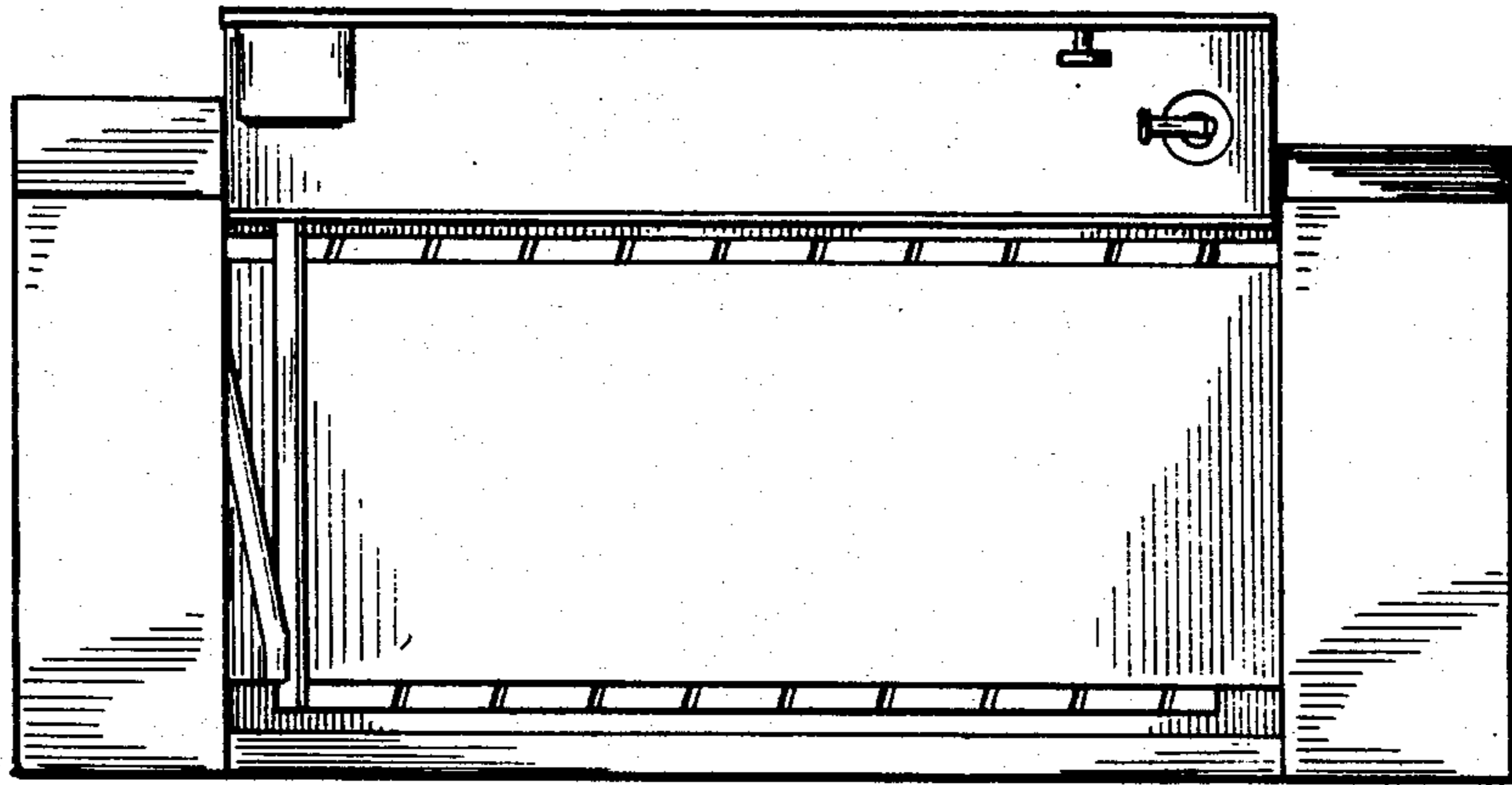


FIG. 5

