

[54] **CAN CRUSHER**

4,345,520 8/1982 Goldsmith ..... 100/902

[76] **Inventor: Gene F. Reynolds, 8720 234th Pl.  
S.W., Edmonds, Wash. 98020**

*Primary Examiner*—B. J. Bullock  
*Attorney, Agent, or Firm*—William B. Walter

[\*\*] **Term: 14 Years**

[57] **CLAIM**

[21] **Appl. No.: 459,400**

The ornamental design for a can crusher, as shown.

[22] **Filed: Apr. 25, 1983**

**DESCRIPTION**

[52] **U.S. Cl. .... D15/123**

[58] **Field of Search ..... D15/123; 100/902**

FIG. 1 is a perspective view from above of a can crusher showing my new design in its can-receiving position.

[56] **References Cited**

**U.S. PATENT DOCUMENTS**

D. 240,074	5/1976	Smith .....	D15/123
D. 247,294	2/1978	Grable .....	D15/123
3,980,015	9/1976	Woodard .....	100/902
4,333,397	6/1982	Modes .....	D15/123

FIG. 2 is a front elevational view of FIG. 1.

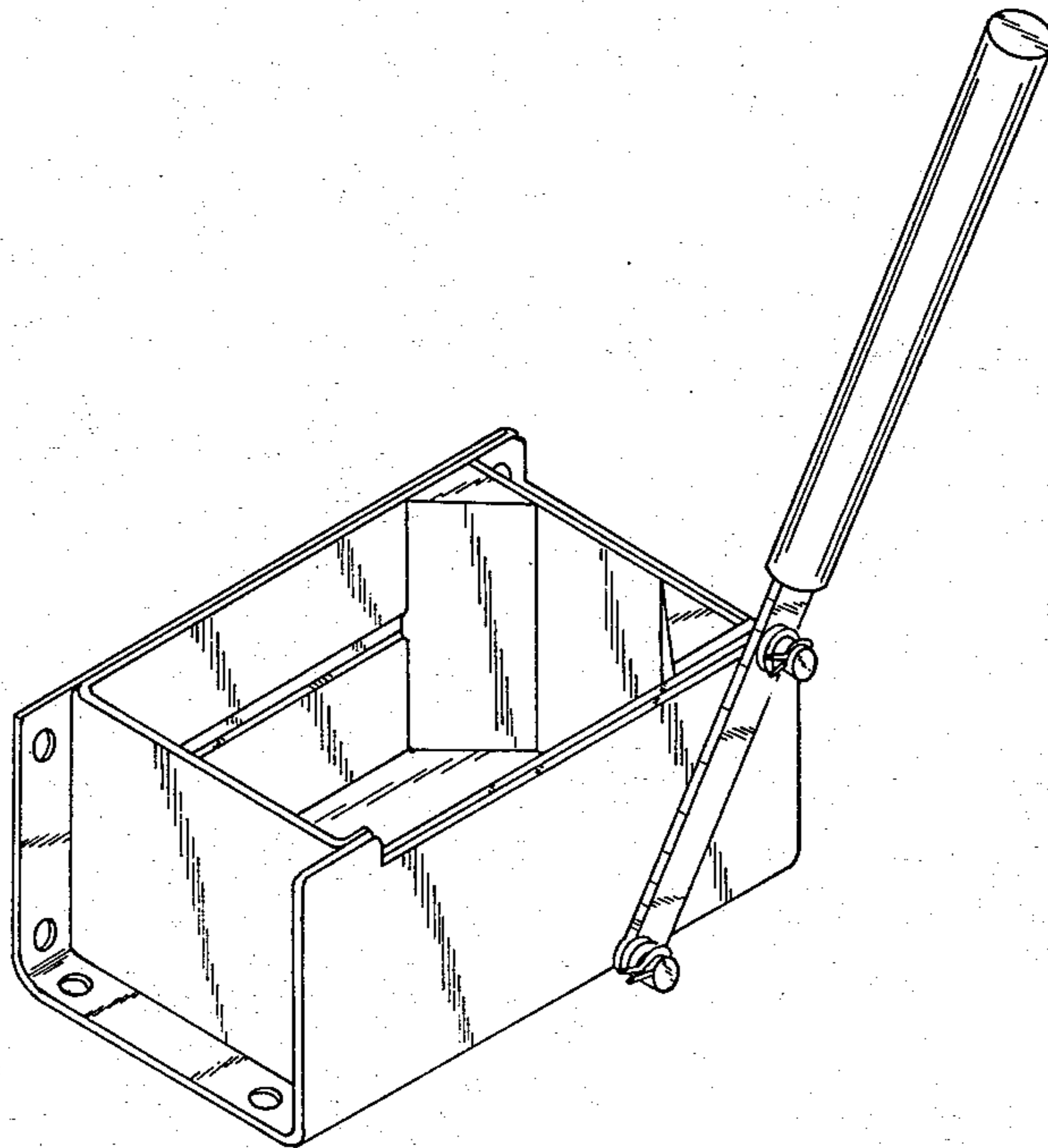
FIG. 3 is a rear elevational view of FIG. 1.

FIG. 4 is a right hand side elevational view of FIG. 1.

FIG. 5 is a left hand side elevational view of FIG. 1.

FIG. 6 is a bottom plan view of FIG. 1.

FIG. 7 is a top plan view of FIG. 1.



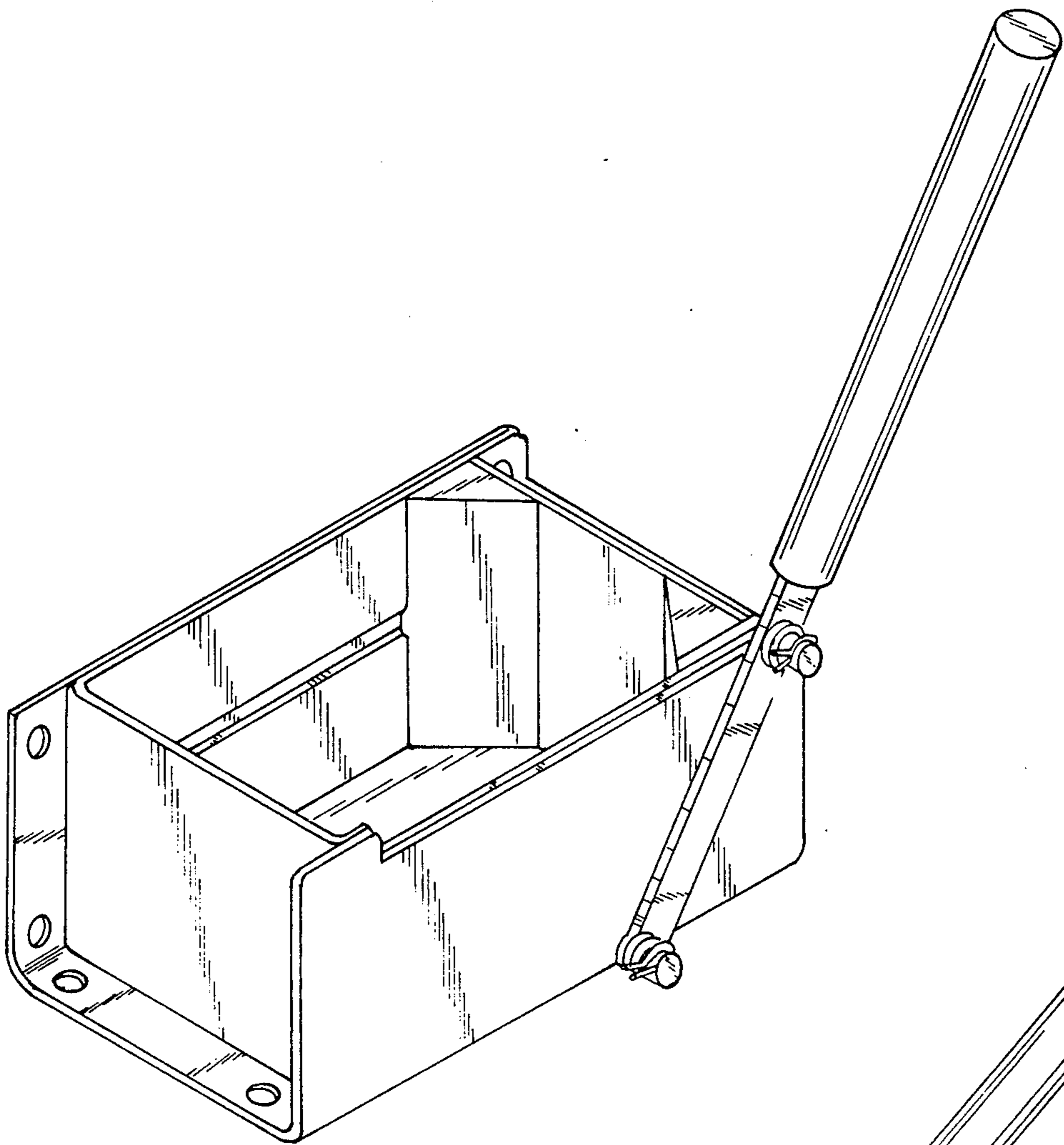


FIG. 1

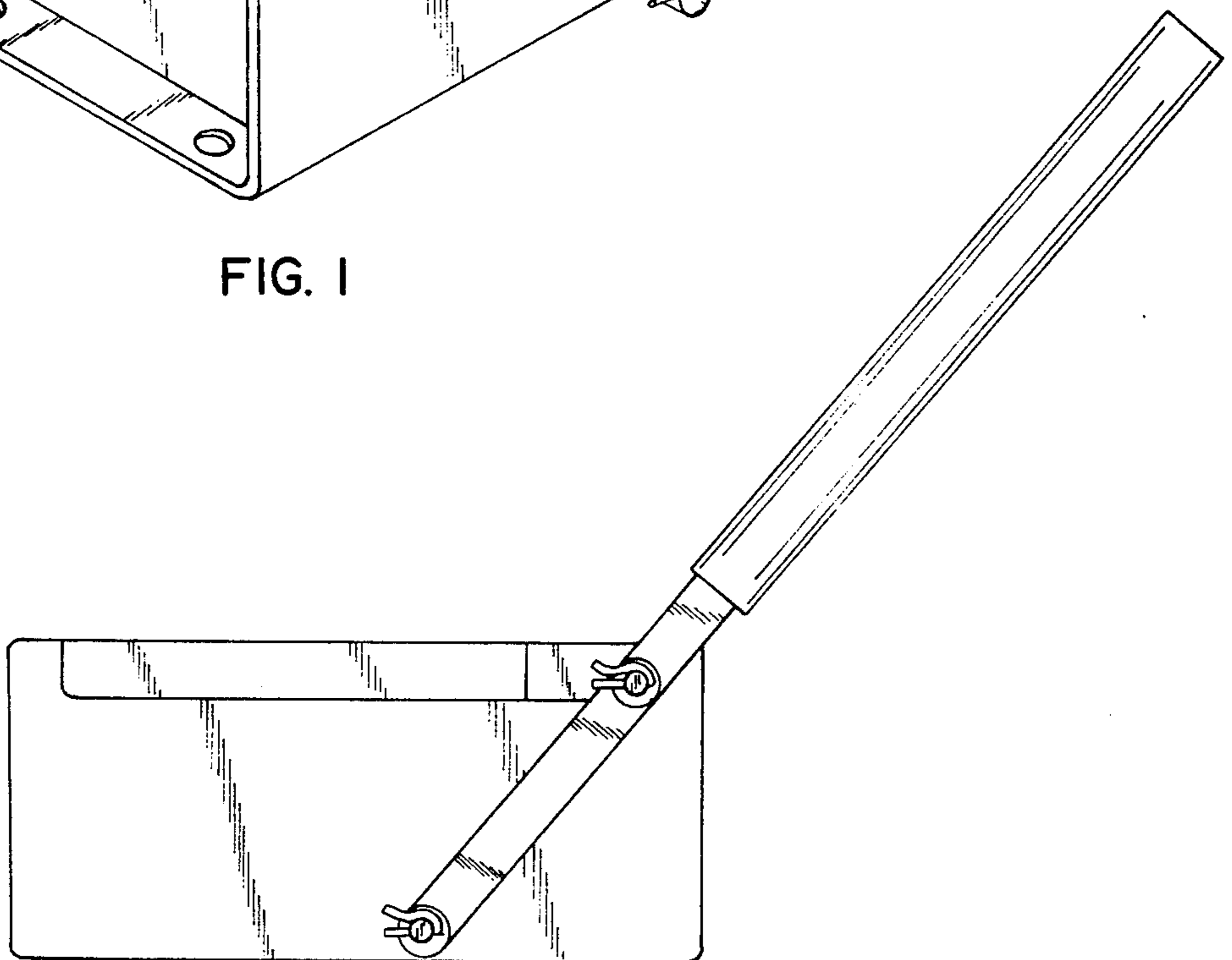


FIG. 2

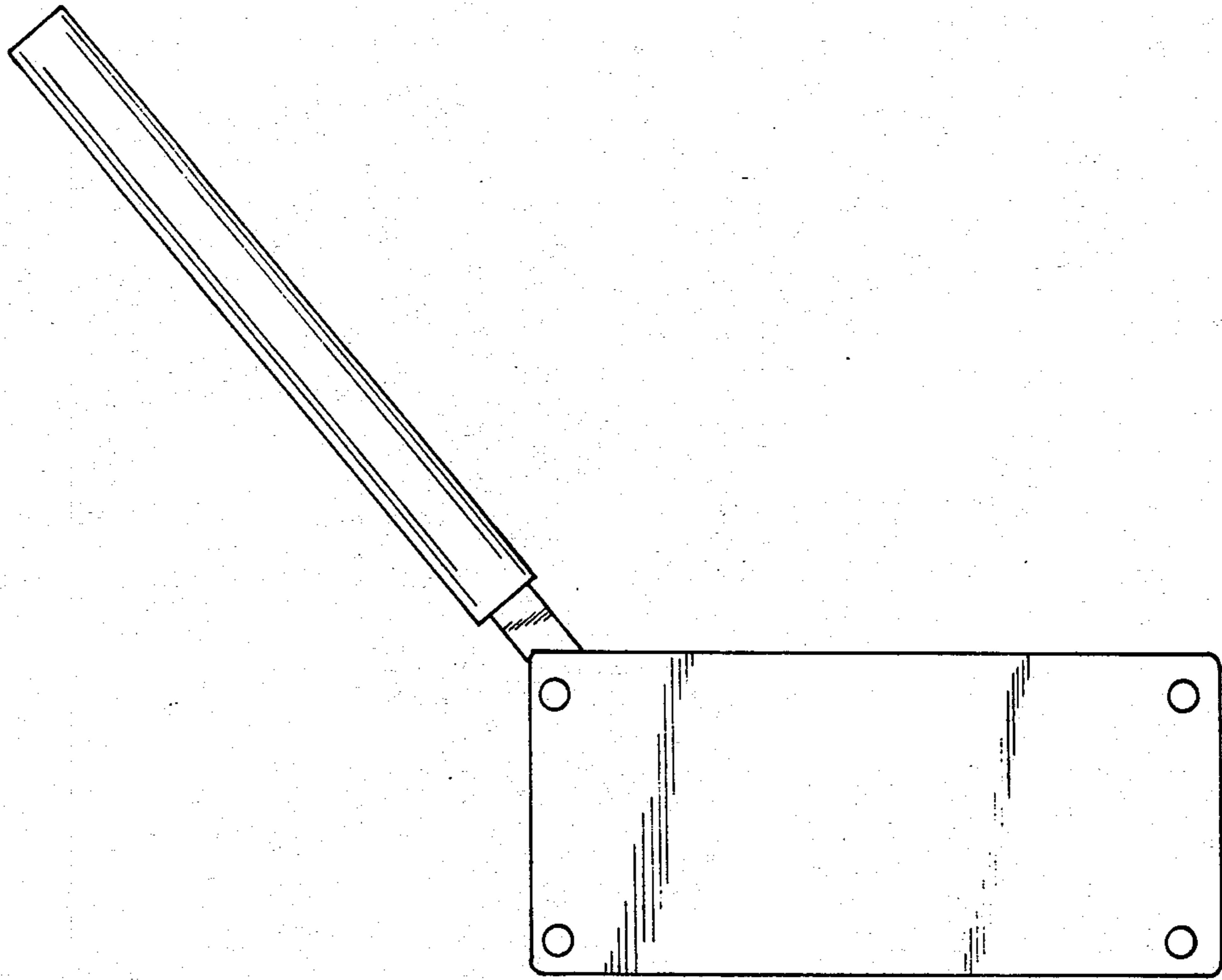


FIG. 3

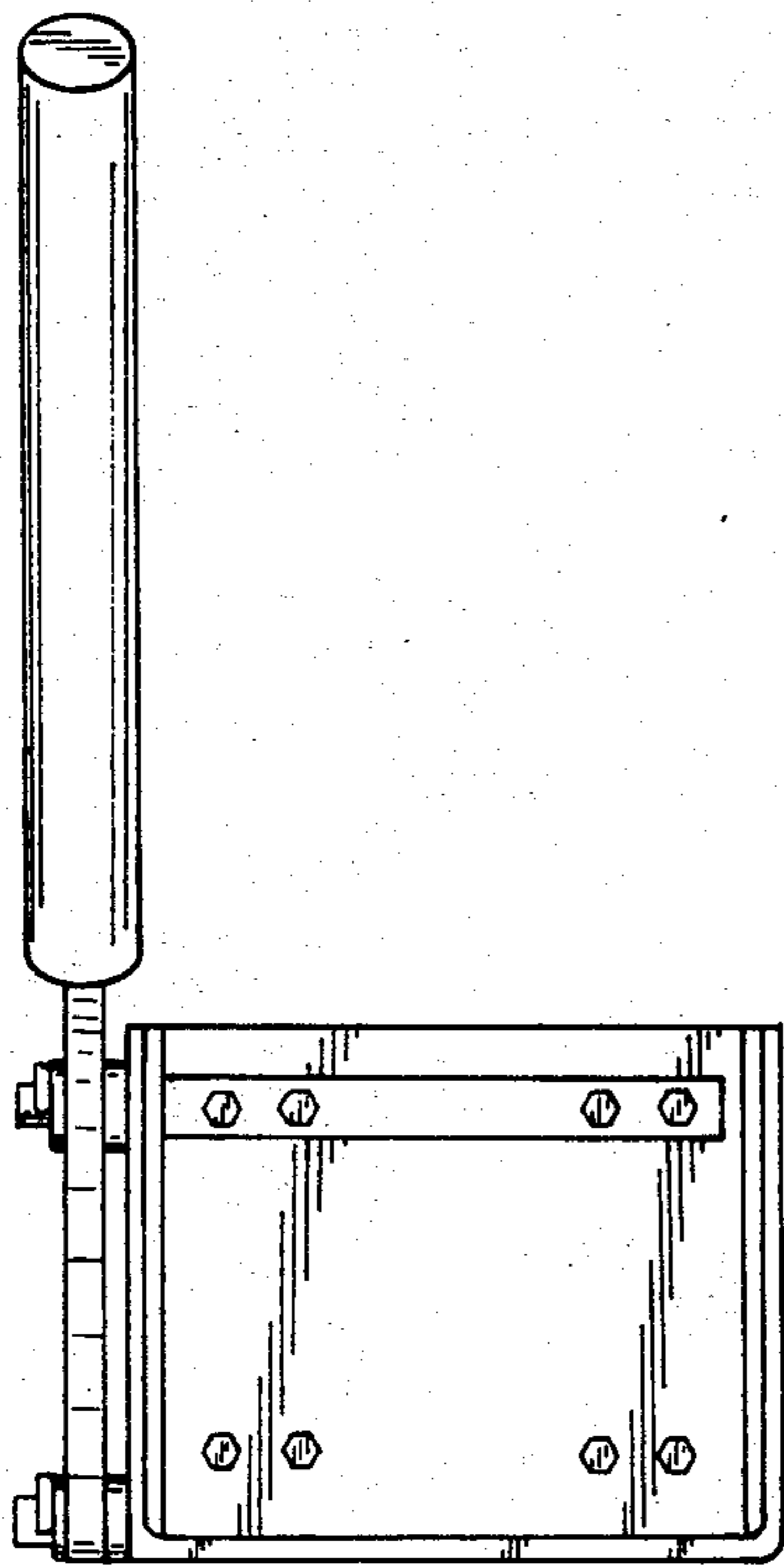


FIG. 4

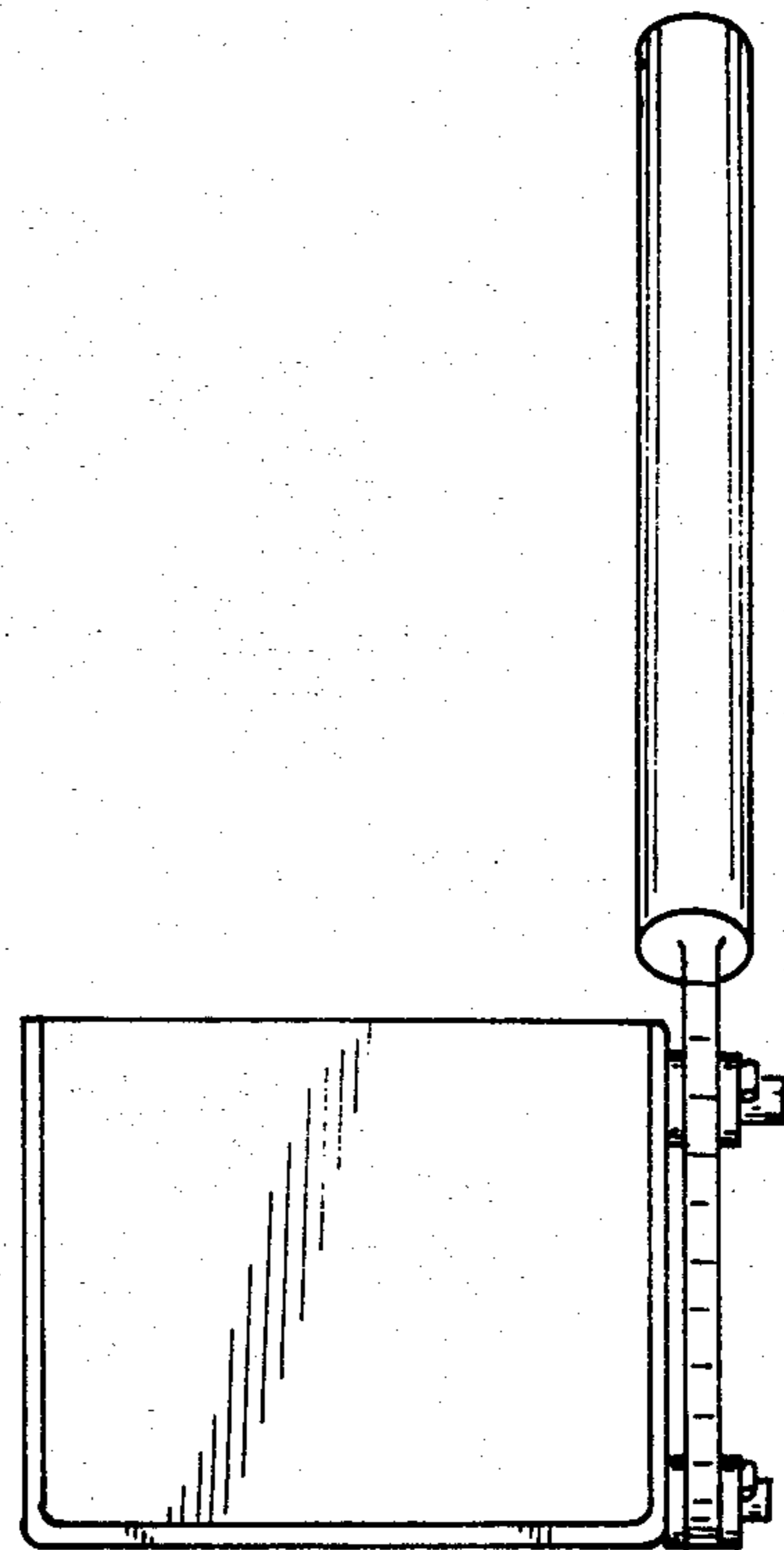


FIG. 5

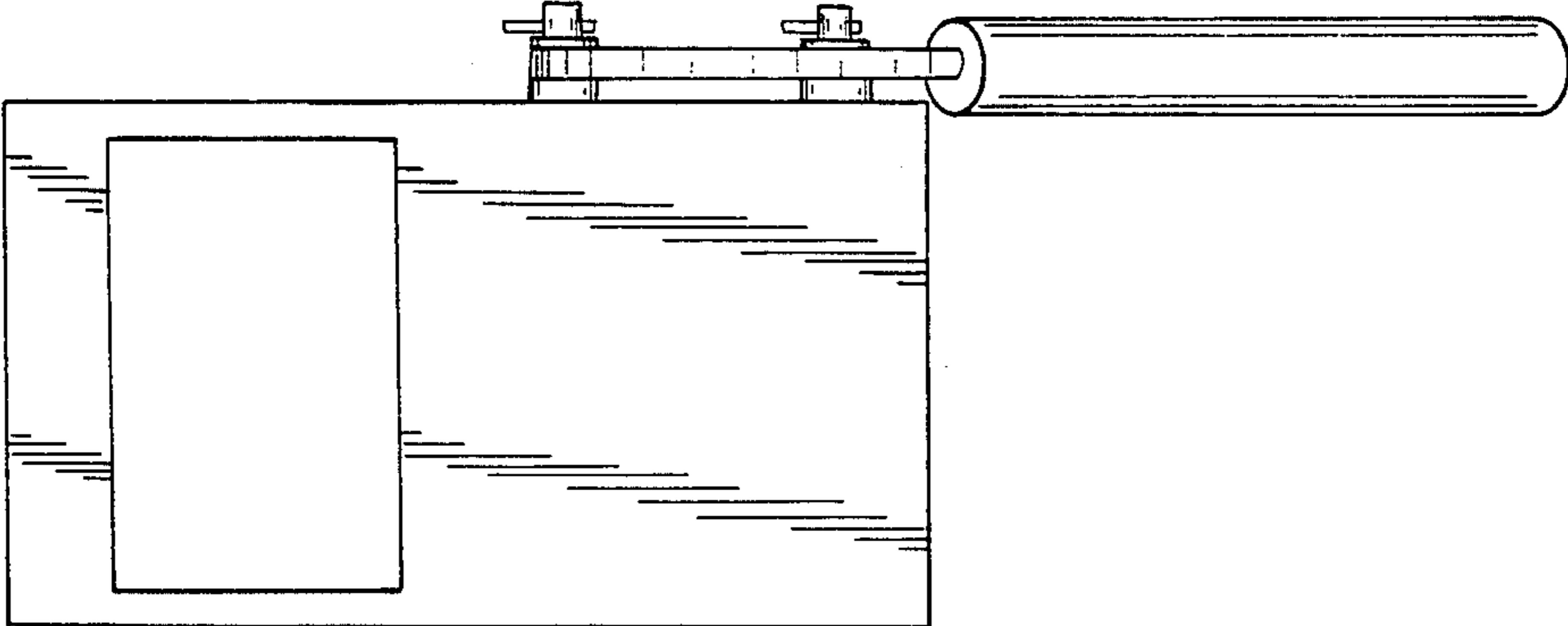


FIG. 6

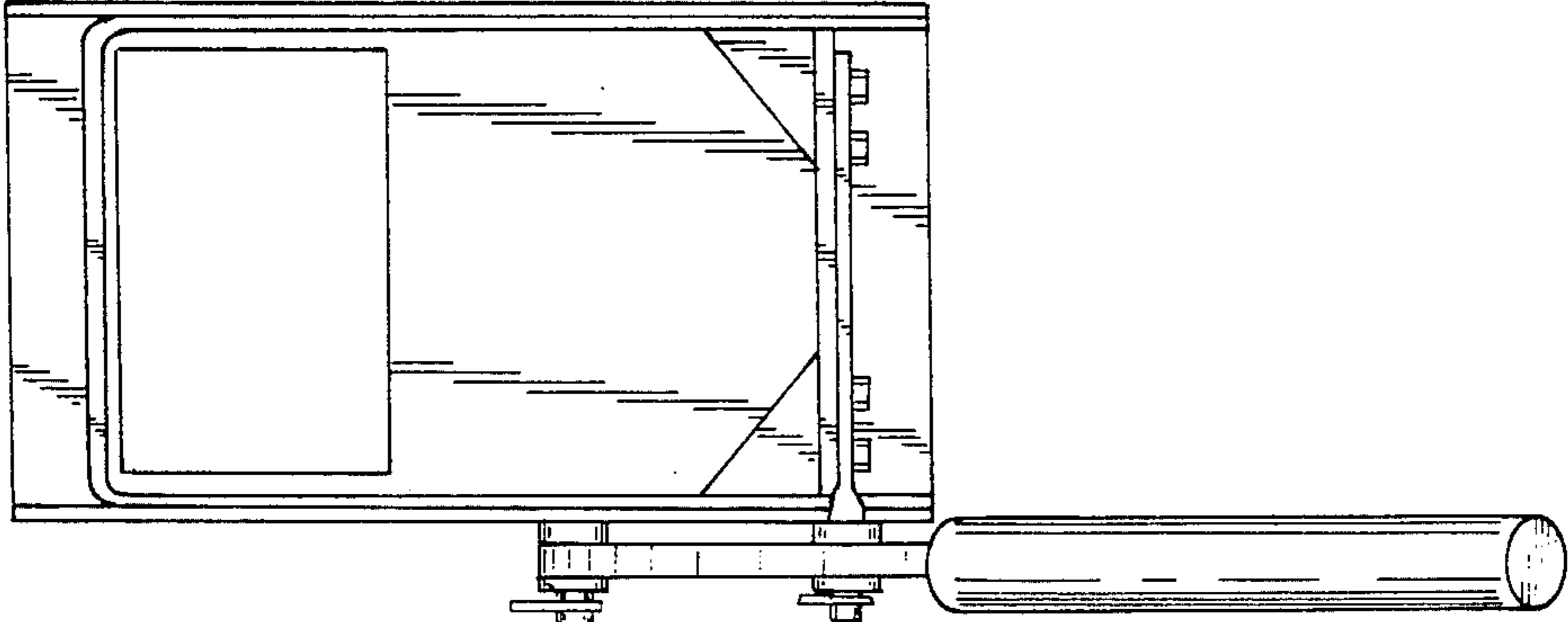


FIG. 7