

[54] STEERING WHEEL FOR TROLLING MOTORS

3,574,966 3/1971 Sullivan ..... 43/13 X  
4,018,537 4/1977 Koch et al. .... 74/552 X  
4,251,939 2/1981 Tiede ..... 43/26.1 X

[75] Inventor: Herbert J. Havens, Jr., Indianapolis, Ind.

Primary Examiner—A. Hugo Word  
Attorney, Agent, or Firm—Woodard, Weikart, Emhardt & Naughton

[73] Assignee: Allen K. Dix, Indianapolis, Ind.

[\*\*] Term: 14 Years

[57] CLAIM

[21] Appl. No.: 437,541

The ornamental design for a steering wheel for trolling motors, as shown and described.

[22] Filed: Oct. 29, 1982

[52] U.S. Cl. .... D15/4

[58] Field of Search ..... D8/371, 396; 43/272, 43/13, 21, 26.1; D13/1, 2; 74/552; D12/176; 440/21, 32; D15/4; 114/147, 148, 154, 160

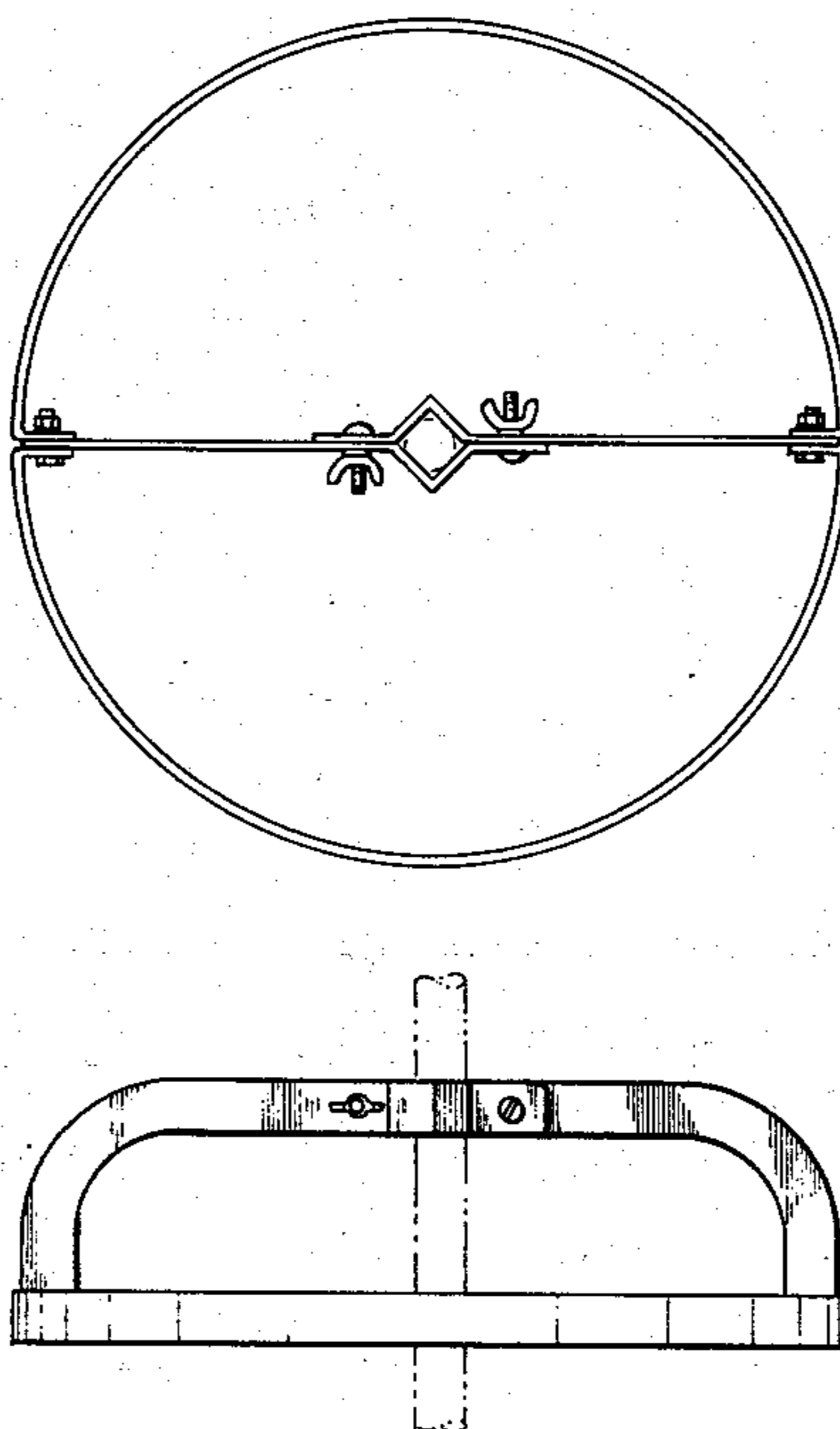
DESCRIPTION

[56] References Cited

U.S. PATENT DOCUMENTS

|           |         |           |       |          |
|-----------|---------|-----------|-------|----------|
| D. 93,121 | 8/1934  | Miller    | ..... | D15/4    |
| D. 94,766 | 3/1935  | Irgens    | ..... | D15/4    |
| 450,306   | 4/1891  | Yoakum    | ..... | 43/13    |
| 534,353   | 2/1895  | Timms     | ..... | 74/552   |
| 1,056,873 | 3/1913  | Wirt      | ..... | 74/552   |
| 1,088,796 | 3/1914  | Schroyer  | ..... | 74/552   |
| 2,334,767 | 11/1943 | Hilddring | ..... | 74/552 X |

FIG. 1 is a top plan view of a steering wheel for trolling motors, showing my new design;  
FIG. 2 is a front elevational view thereof;  
FIG. 3 is a side elevational view thereof;  
The dotted line represents the trolling motor shaft and is included for showing the environment, but is not part of the design.  
The appearance of the rear elevation is identical to the front elevational appearance.  
The appearance of the side opposite that shown in FIG. 3 is identical to that shown in FIG. 3.  
The appearance of the bottom is identical to the appearance of FIG. 1.



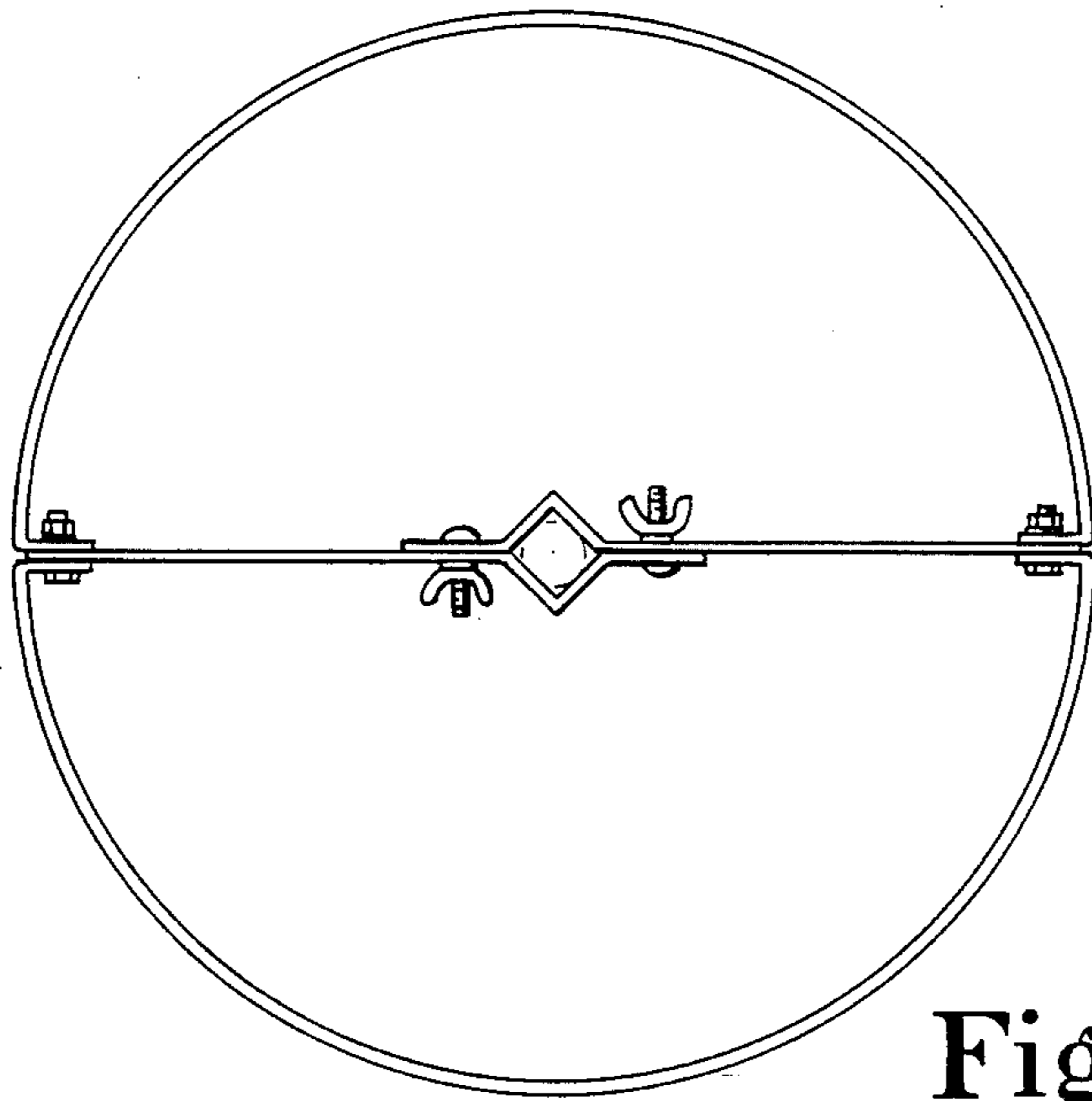


Fig. 1

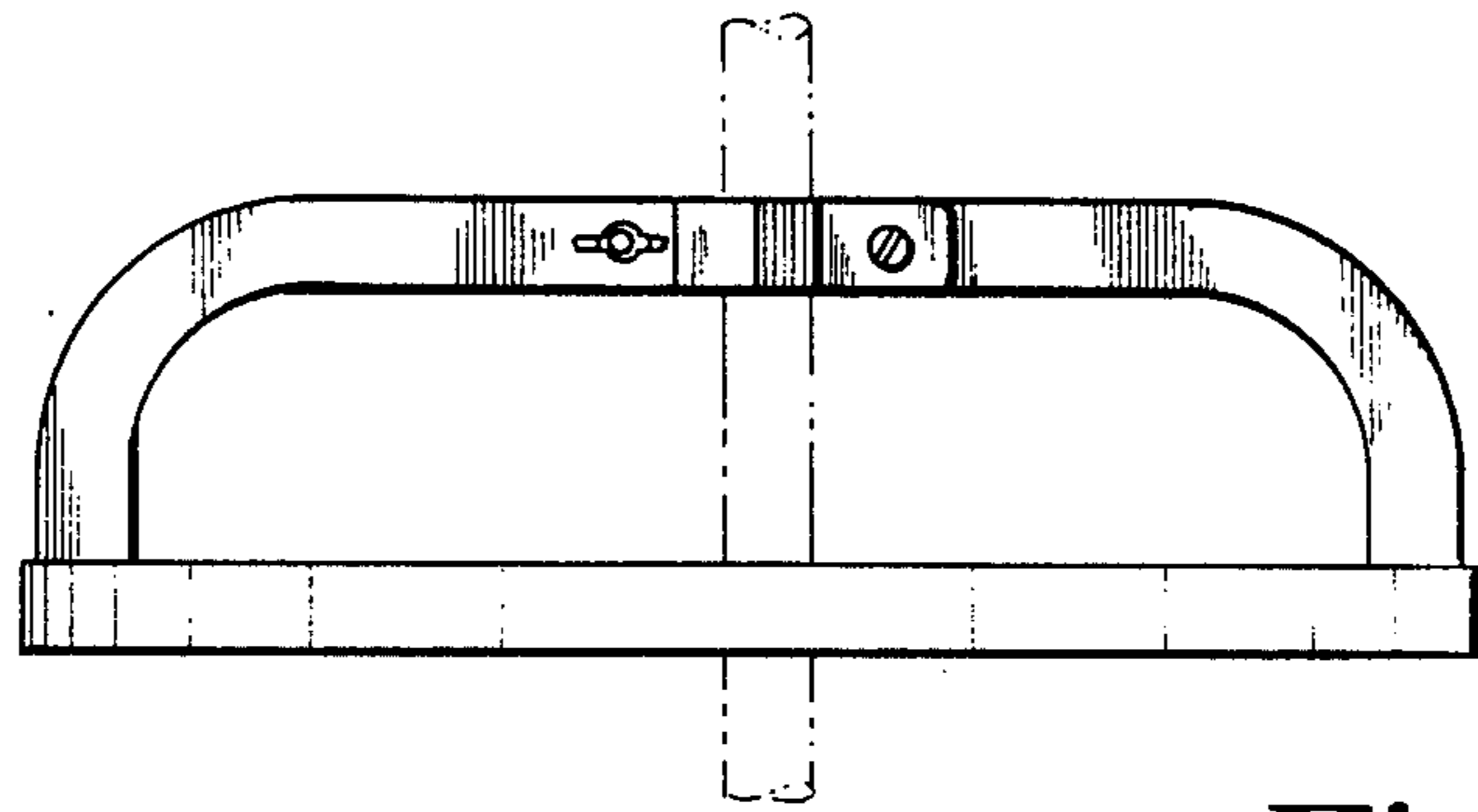


Fig. 2

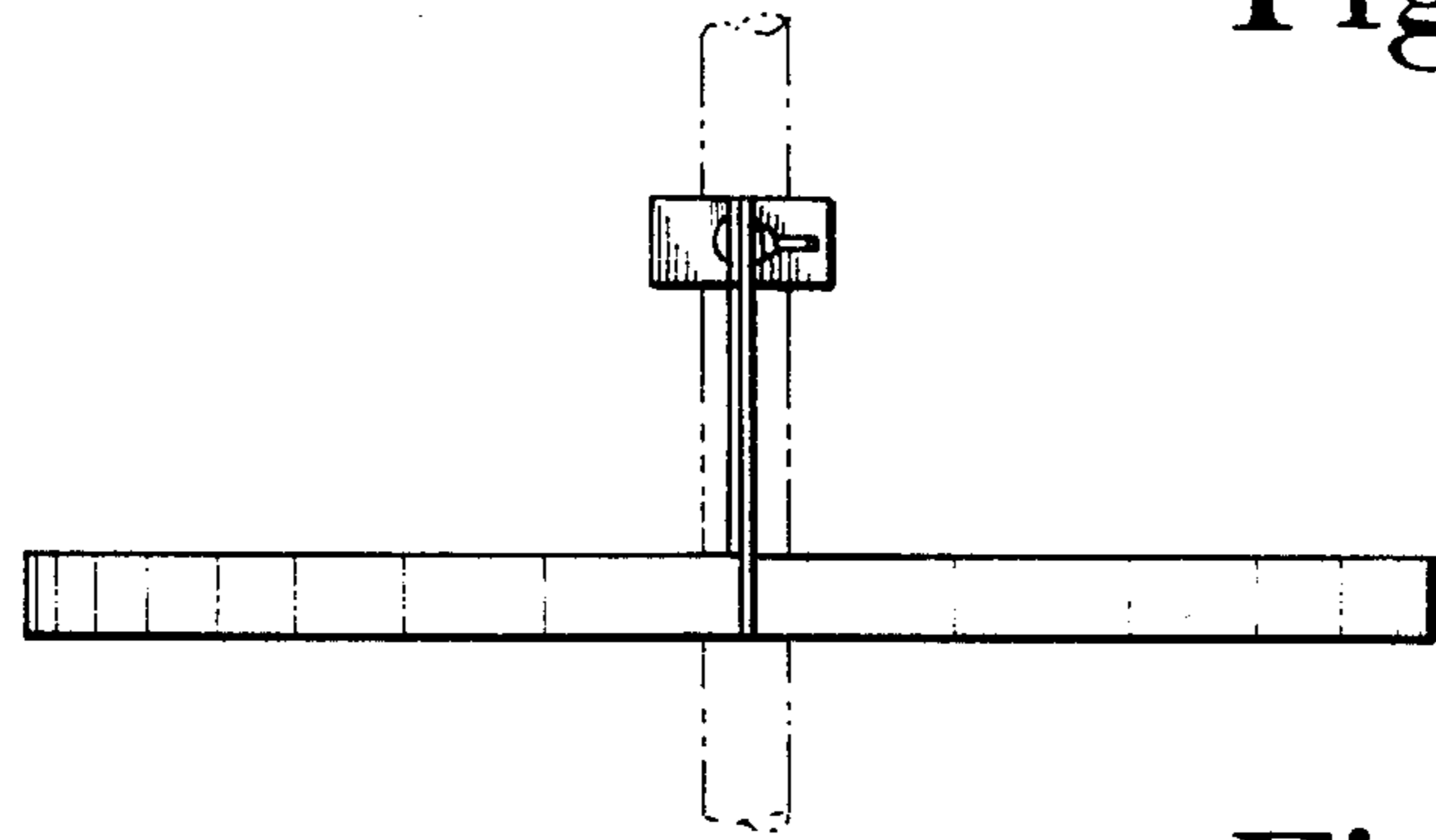


Fig. 3