

[54] TELEPHONE CONSOLE SUPPORT

[76] Inventor: Robert C. Harley, 12416 E. 207th St., Lakewood, Calif. 90715

[**] Term: 14 Years

[21] Appl. No.: 419,122

[22] Filed: Sep. 16, 1982

[52] U.S. Cl. D14/59

[58] Field of Search D19/86, 87, 91; D6/310, D6/314, 419, 420, 180, 85; 248/300, 459, 174; D14/59, 60, 65; 52/355, 360, 714, 489; 179/100 R, 100 D, 146 R, 147; D8/366, 381

[56] References Cited

U.S. PATENT DOCUMENTS

D. 41,863	10/1911	Strauss	D6/419
D. 111,058	8/1938	Anderson	D6/420
D. 118,016	12/1939	Houle	D6/449
D. 169,509	5/1953	La Barre	D6/420
D. 171,201	12/1958	Fisher	D6/420
D. 180,218	5/1957	Alvarez	D6/420
D. 201,024	5/1965	Alexander	D6/310
D. 216,724	3/1970	Sherman	D6/420
D. 245,742	9/1977	Sullivan	D6/85

1,489,474	4/1924	Beckwith	52/714
1,664,650	4/1928	Van Korlaar	D6/85
1,714,681	5/1929	Loucks	52/714
1,780,406	11/1930	Siebenlist	52/360
2,316,668	4/1943	Bronner	52/355
2,358,209	9/1944	Bronner	52/355
3,013,359	12/1961	Cross et al.	248/459
3,086,658	4/1963	Palmer	D6/449
3,189,137	6/1965	Harris	52/714
3,305,206	2/1967	Nichols	248/459
3,532,224	10/1970	Grubb et al.	D6/85

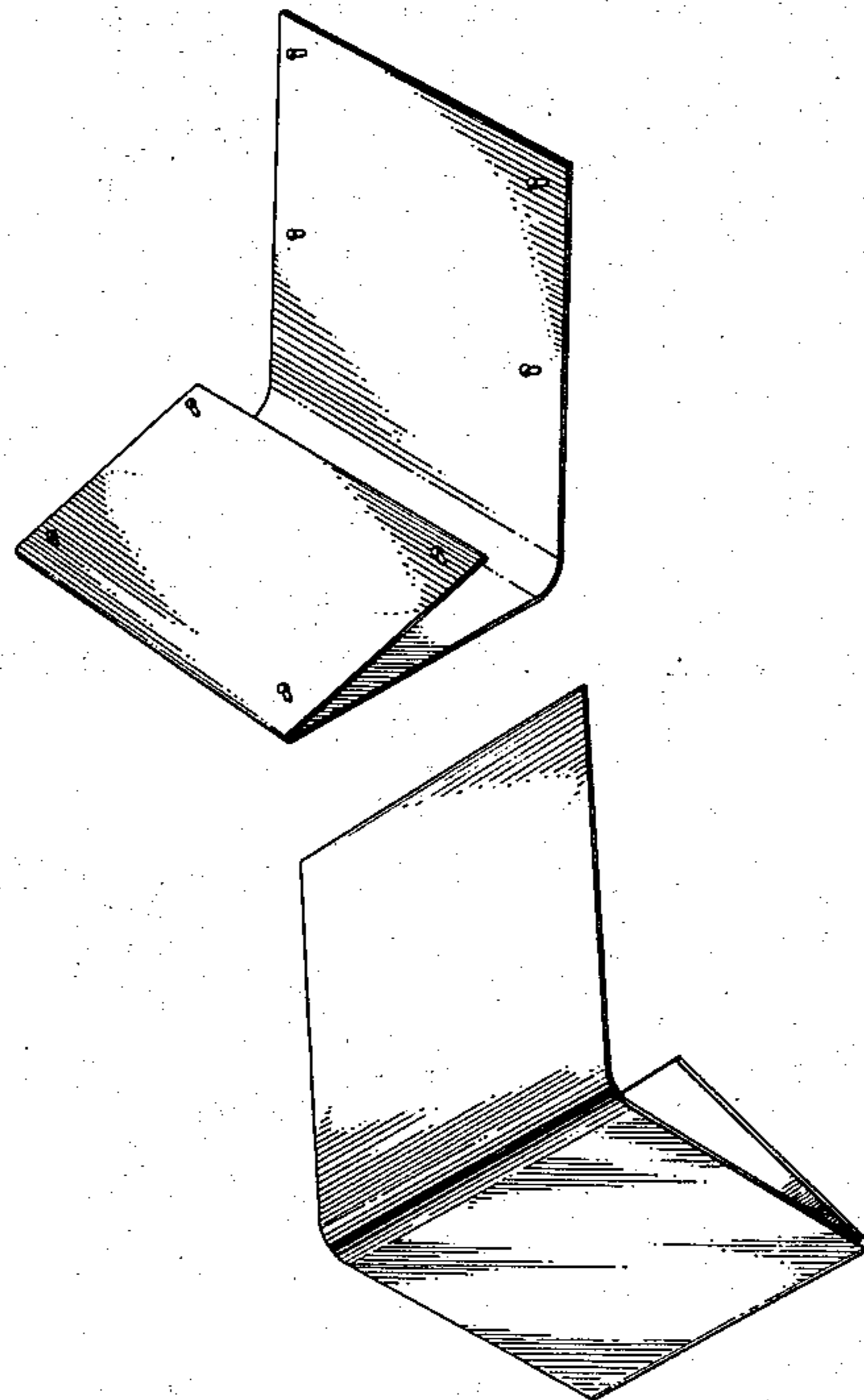
Primary Examiner—Wallace R. Burke
Assistant Examiner—Horace B. Fay
Attorney, Agent, or Firm—Harvey S. Hertz

[57] CLAIM

The ornamental design for telephone console support, is substantially as shown and described.

DESCRIPTION

FIG. 1 is a perspective view showing the front, right side and top of the telephone console support, showing my new design;
FIG. 2 is a perspective view showing the back, bottom and left side thereof; and
FIG. 3 is a right side elevational view thereof.



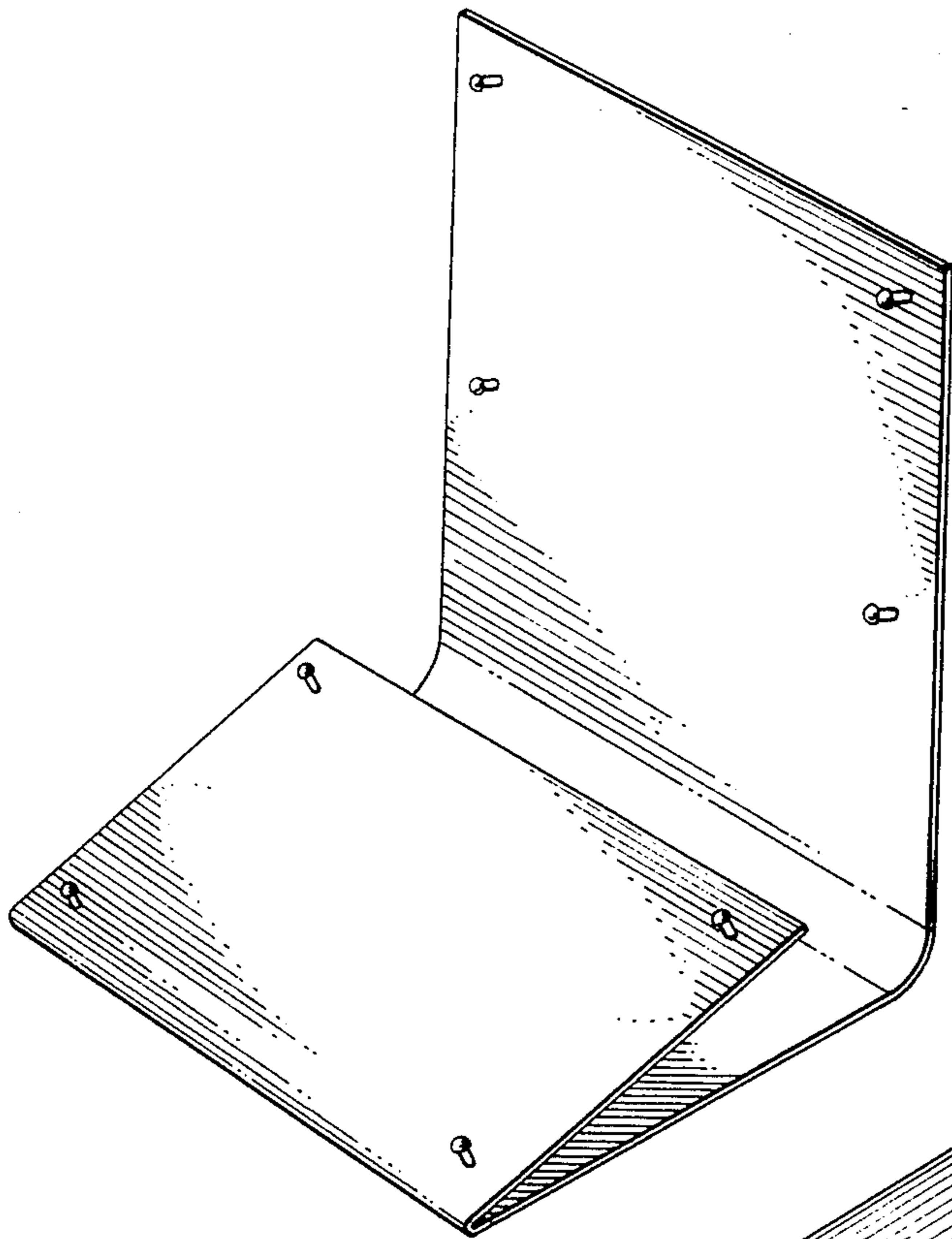


FIG. 1

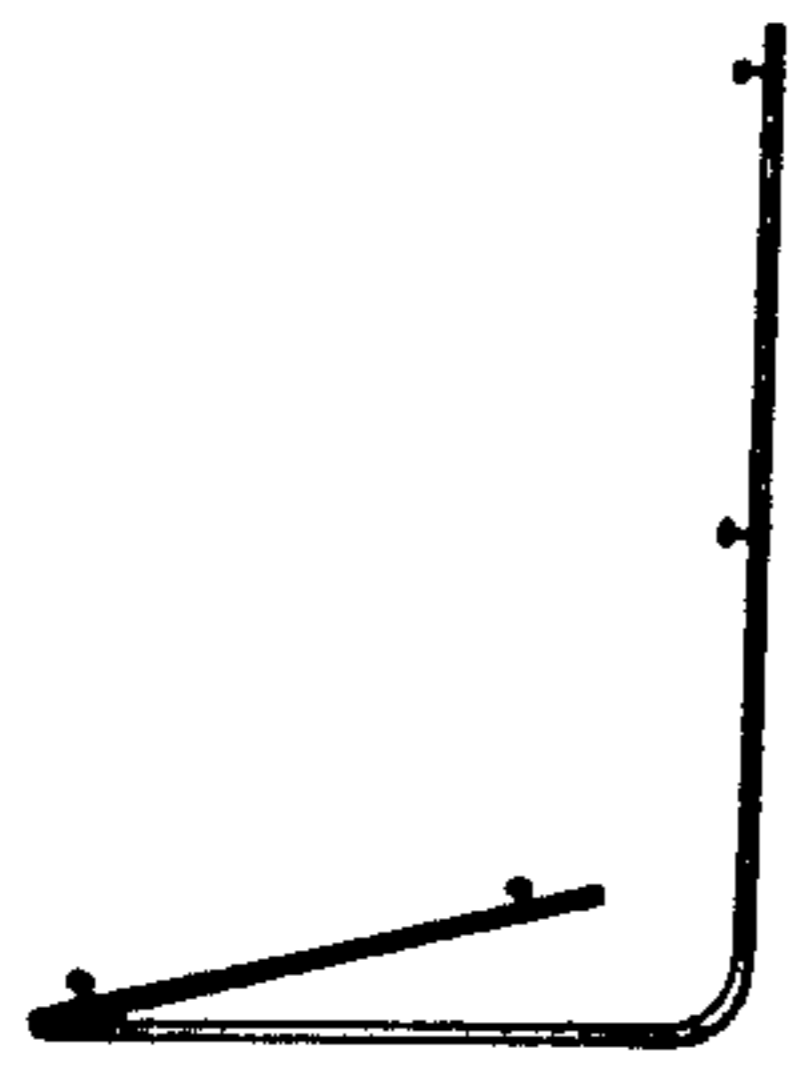


FIG. 3

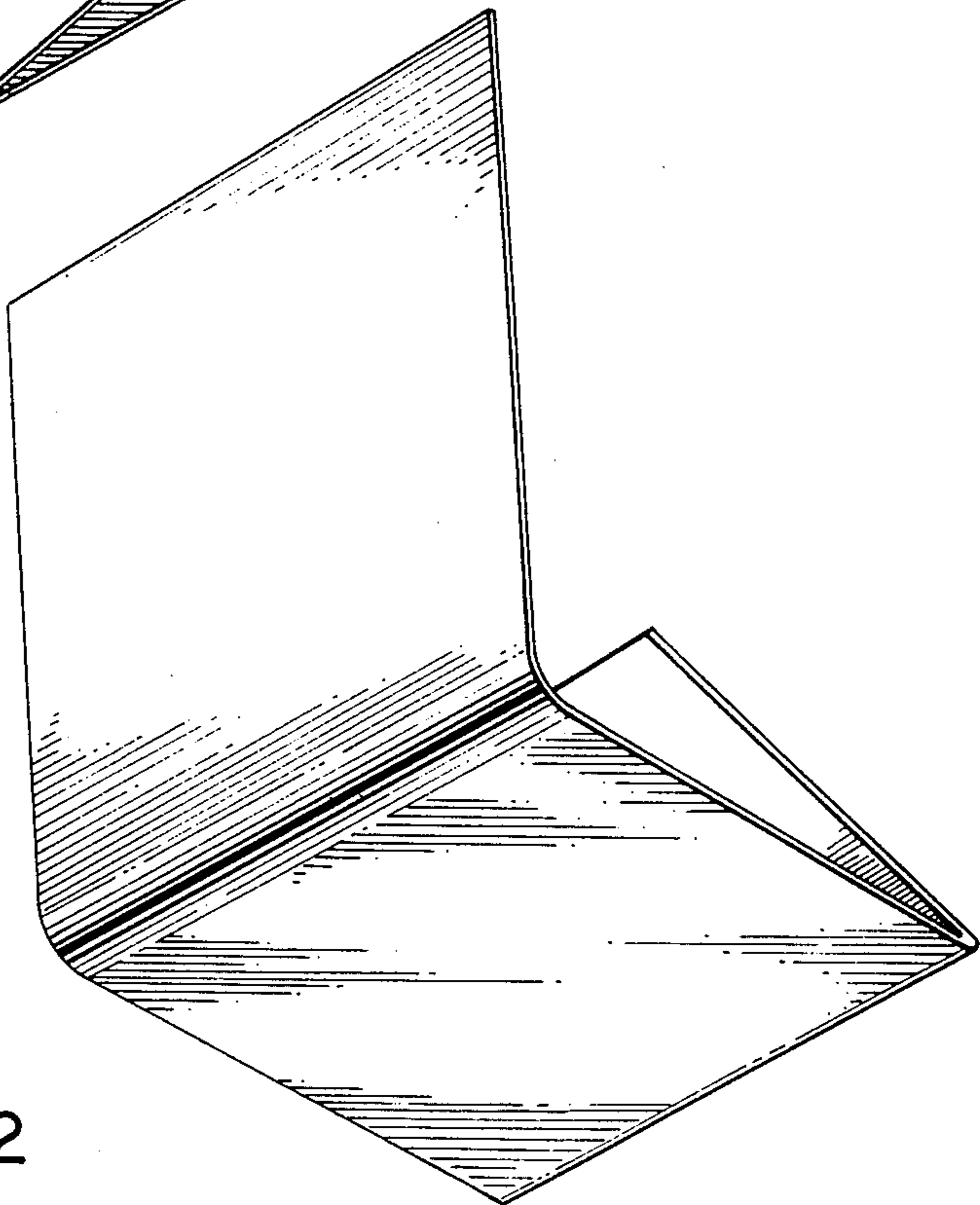


FIG. 2