

[54] TERMINAL CONNECTOR

[75] Inventor: Earl F. Robinson, Batavia, Ill.

[73] Assignee: C. R. Bard, Inc., Murray Hill, N.J.

[\*\*] Term: 14 Years

[21] Appl. No.: 373,862

[22] Filed: May 3, 1982

[52] U.S. Cl. .... D13/24

[58] Field of Search ..... D13/24; 339/206-210 R,  
339/75 R, 75 MP

[56] References Cited

U.S. PATENT DOCUMENTS

4,175,260 11/1979 Woods ..... 339/206 R

Primary Examiner—Susan J. Lucas  
Attorney, Agent, or Firm—Trexler, Bushnell & Wolters,  
Ltd.

[57] CLAIM

The ornamental design for a terminal connector, substantially as shown and described.

DESCRIPTION

FIG. 1 is a top, front perspective view of a terminal connector showing my new design, a lead wire being shown in broken lines for illustrative purposes only; FIG. 2 is a top plan view thereof; FIG. 3 is a side view thereof; FIG. 4 is a bottom view thereof; FIG. 5 is a front view thereof; FIG. 6 is a rear view thereof.

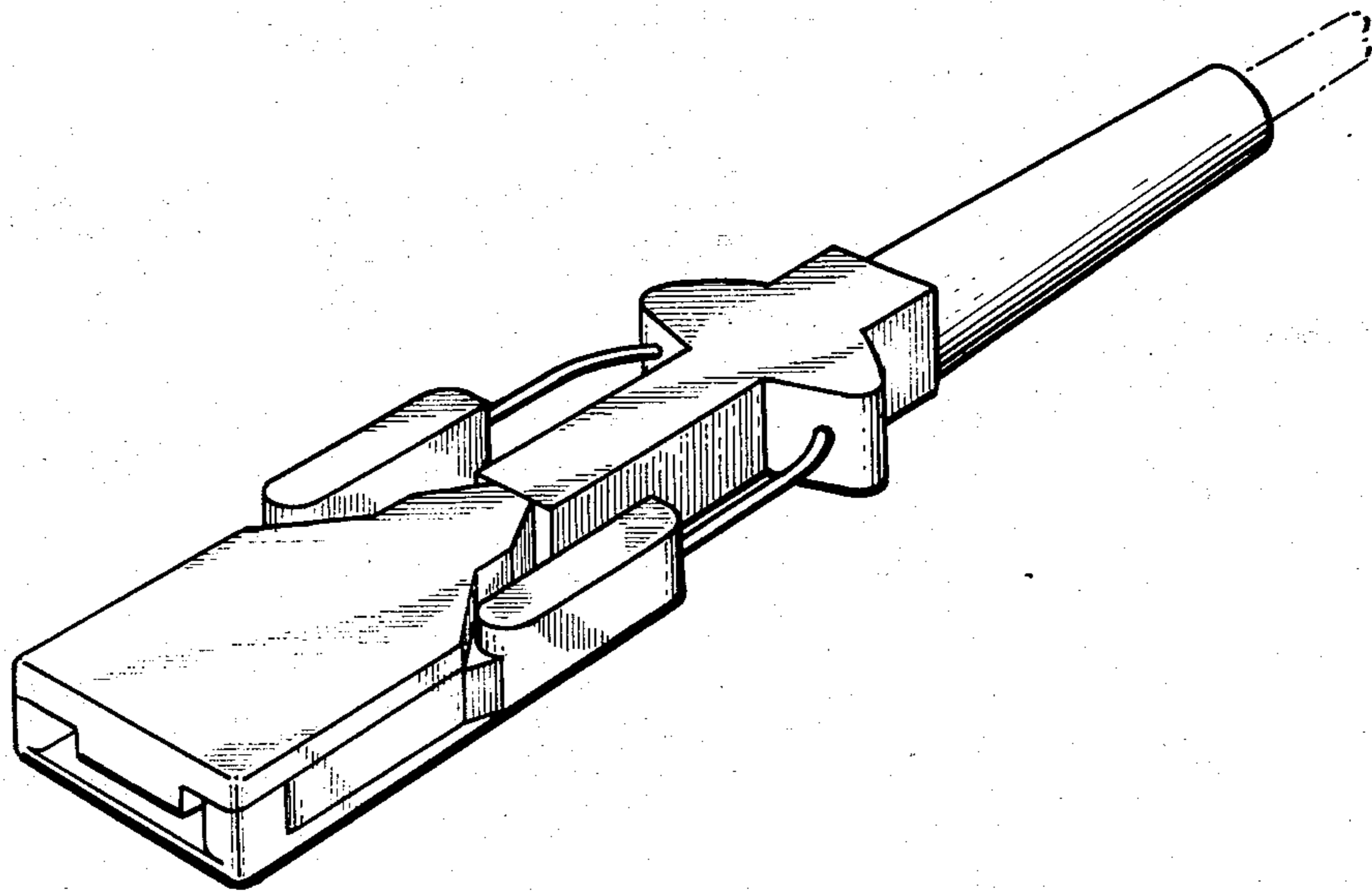


FIG. 1

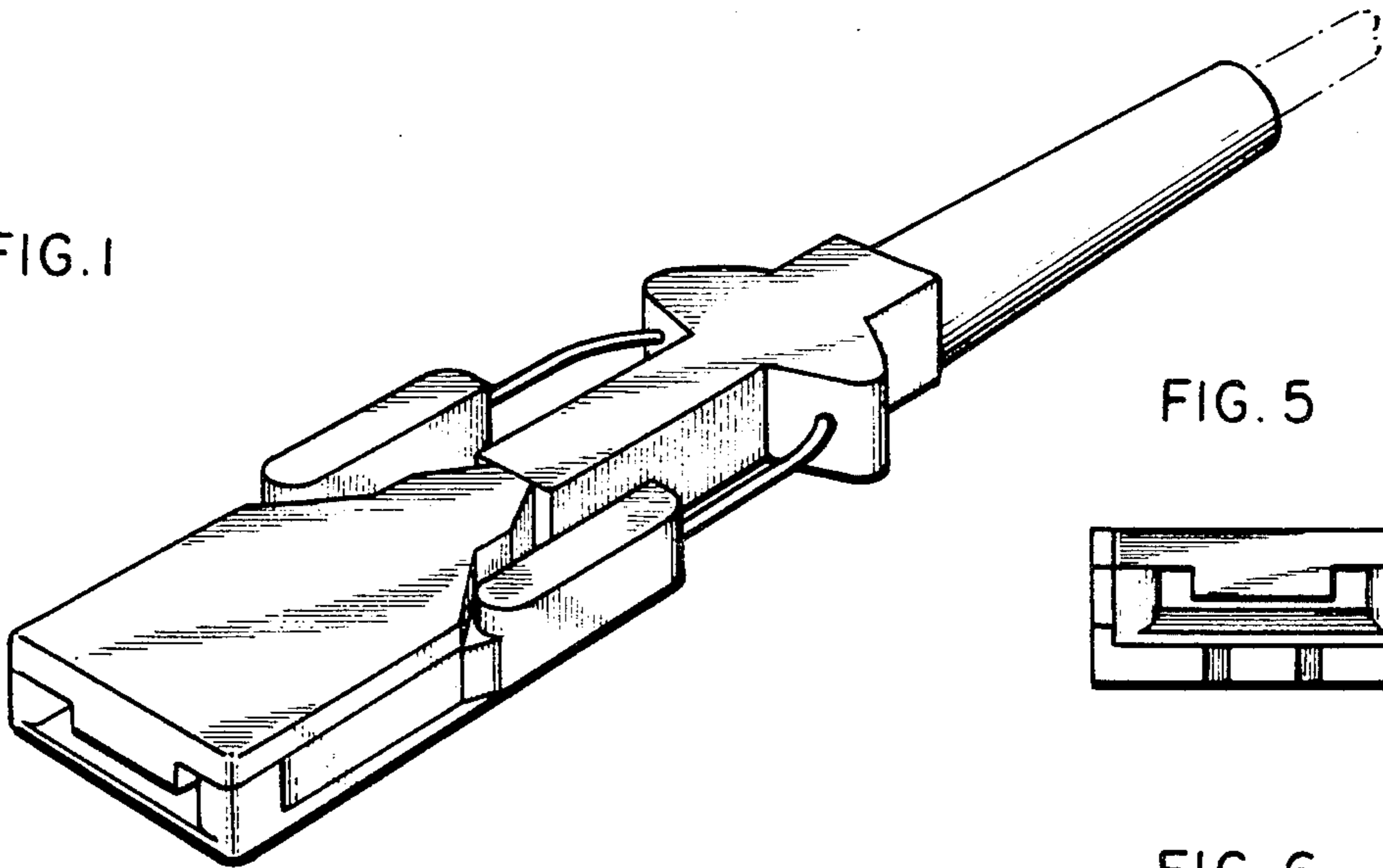


FIG. 5

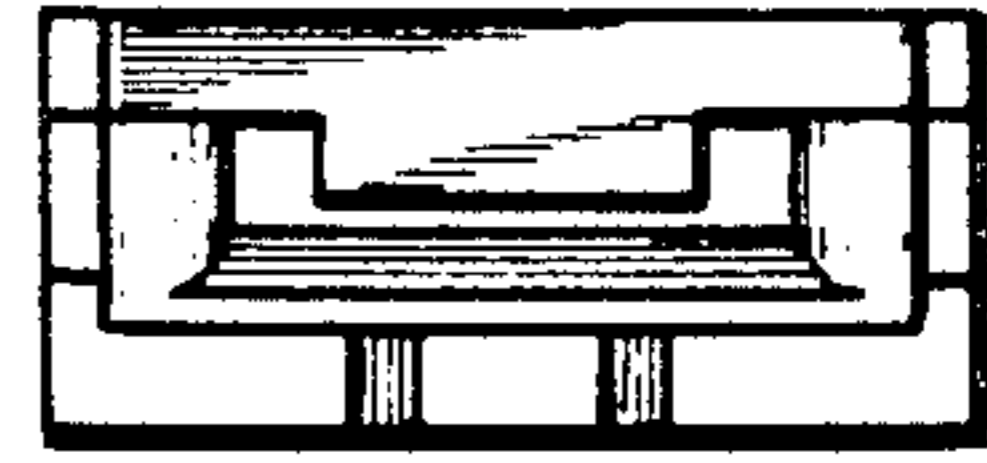


FIG. 6



FIG. 2

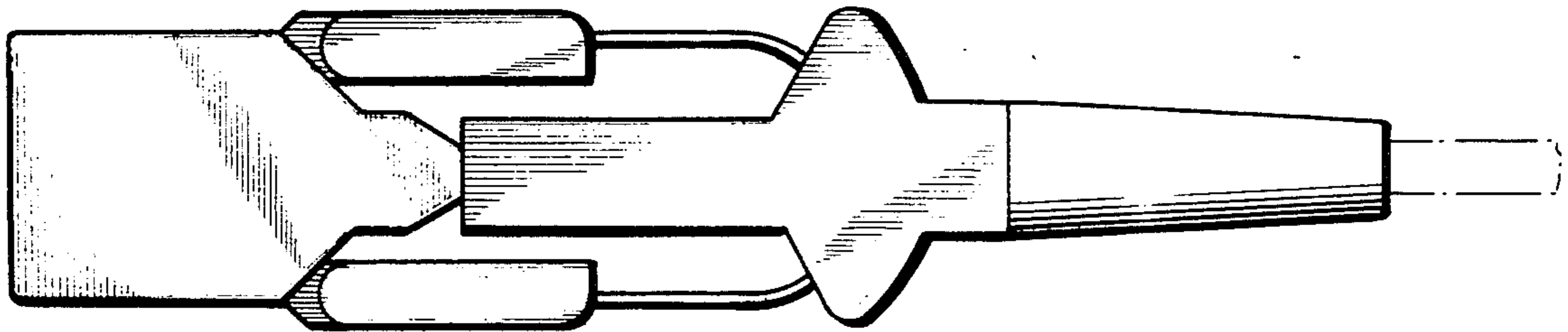


FIG. 3

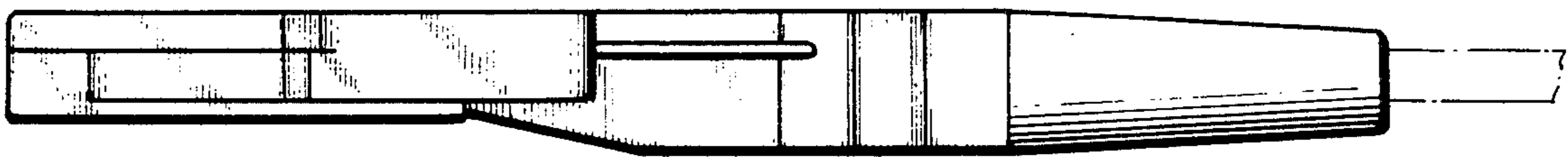


FIG. 4

