

[54] MULTIPLEX HITCH

[76] Inventor: Ernest A. Landry, Jr., 50 Bennett St., Lynn, Mass. 01905

[**] Term: 14 Years

[21] Appl. No.: 458,318

[22] Filed: Feb. 24, 1983

[52] U.S. Cl. D12/162

[58] Field of Search D12/162; 280/506, 507, 280/510, 509, 512, 514, 508

[56] References Cited

U.S. PATENT DOCUMENTS

2,124,839	7/1938	Weiss	280/508
2,295,021	9/1942	Weiss	280/506
2,522,791	9/1950	Ketel	280/506
3,052,487	9/1962	Harbers et al.	280/506

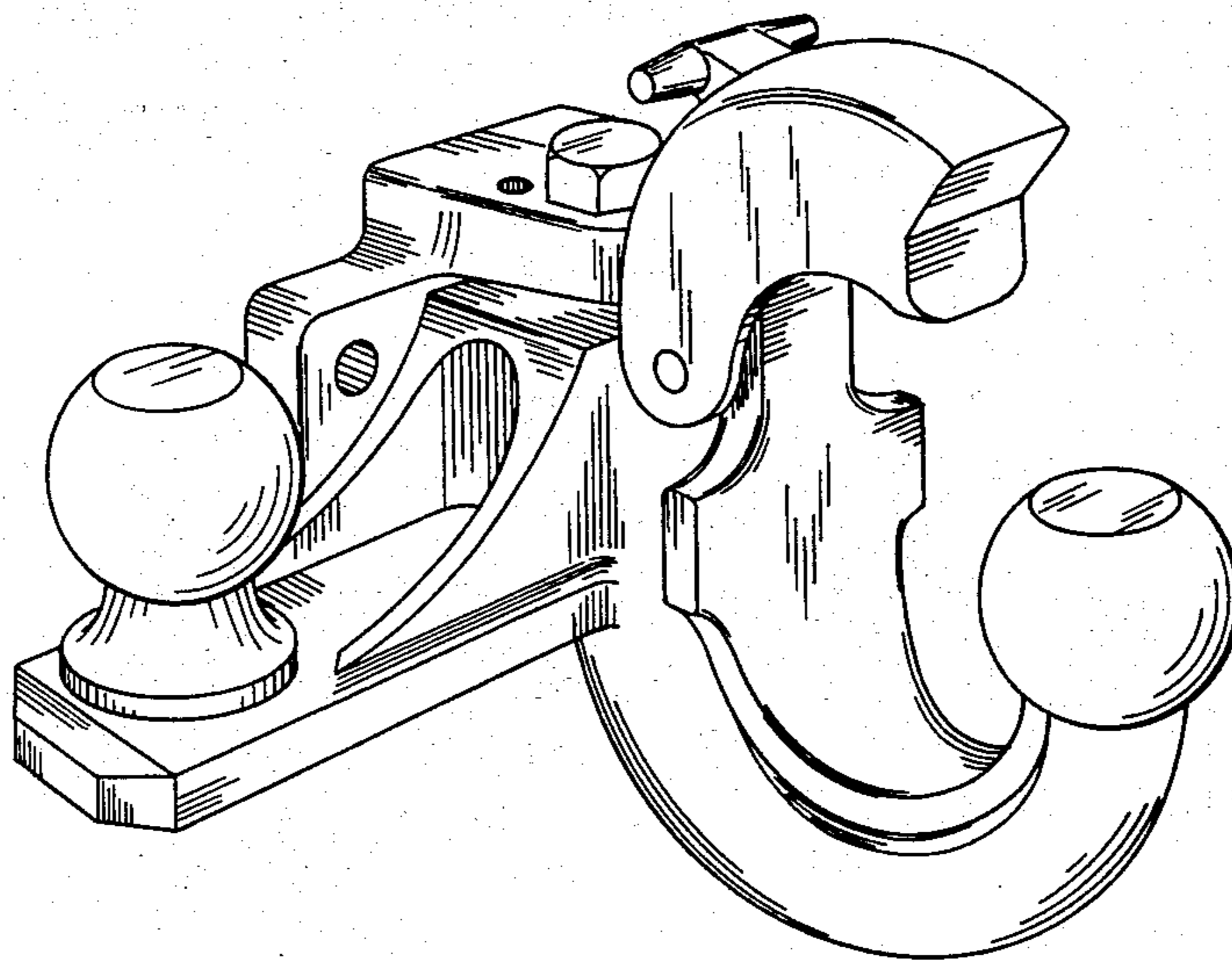
Primary Examiner—James M. Gandy

[57] CLAIM

The ornamental design for a multiplex hitch, as shown and described.

DESCRIPTION

FIG. 1 is a left side elevation view of a multiplex hitch showing my new design;
 FIG. 2 is a top plan view thereof;
 FIG. 3 is a top plan view thereof in an alternate position wherein the ball is in a towing position;
 FIG. 4 is a front elevation view of FIG. 3;
 FIG. 5 is a front elevation view thereof as positioned in FIG. 1;
 FIG. 6 is a perspective view thereof with the upper hinged section in open condition;
 FIG. 7 is a rear elevation view thereof as positioned in FIG. 1;
 FIG. 8 is a bottom plan view of FIG. 7; and
 FIG. 9 is a right side elevation view thereof as positioned in FIG. 1.



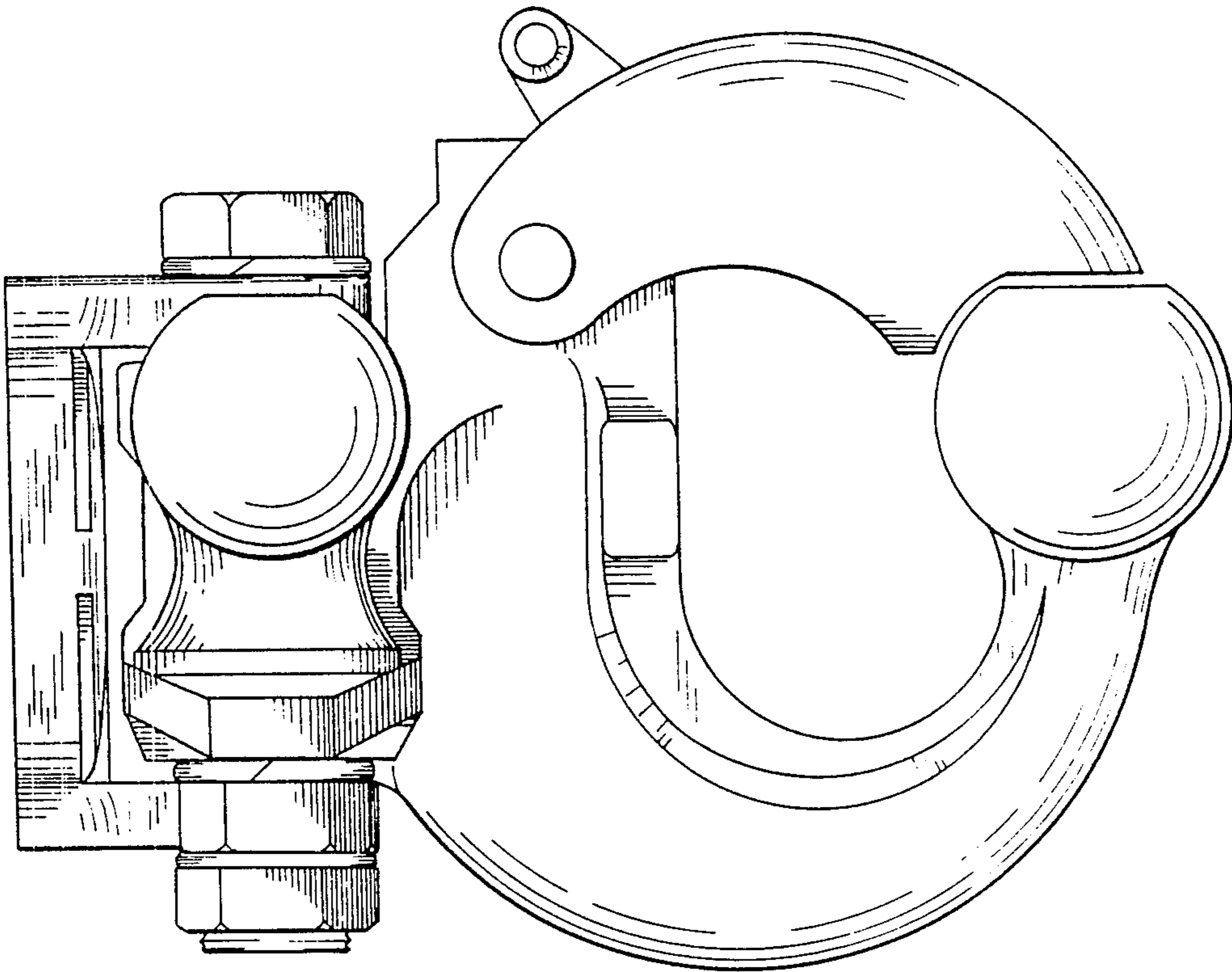


FIG 1

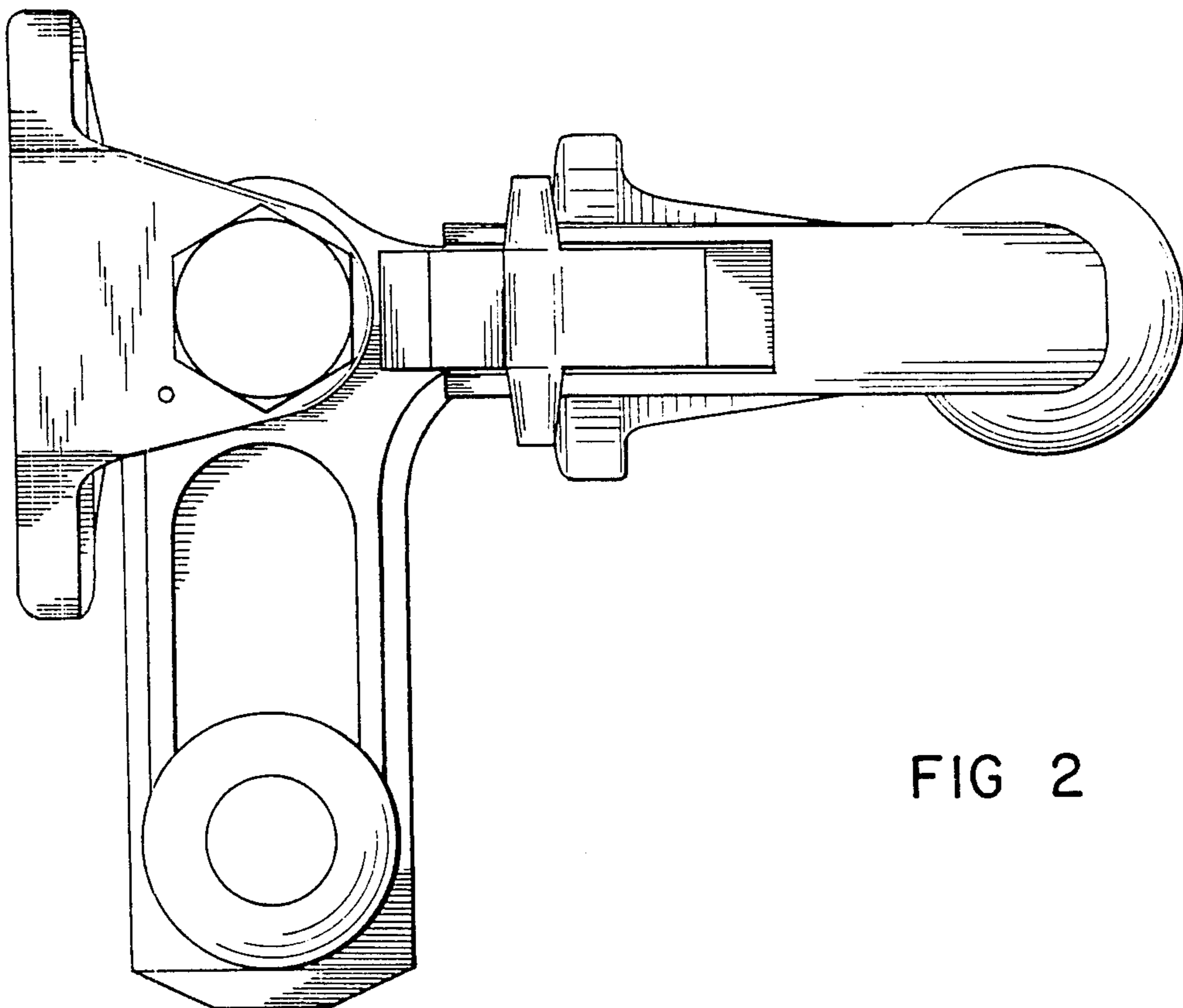


FIG 2

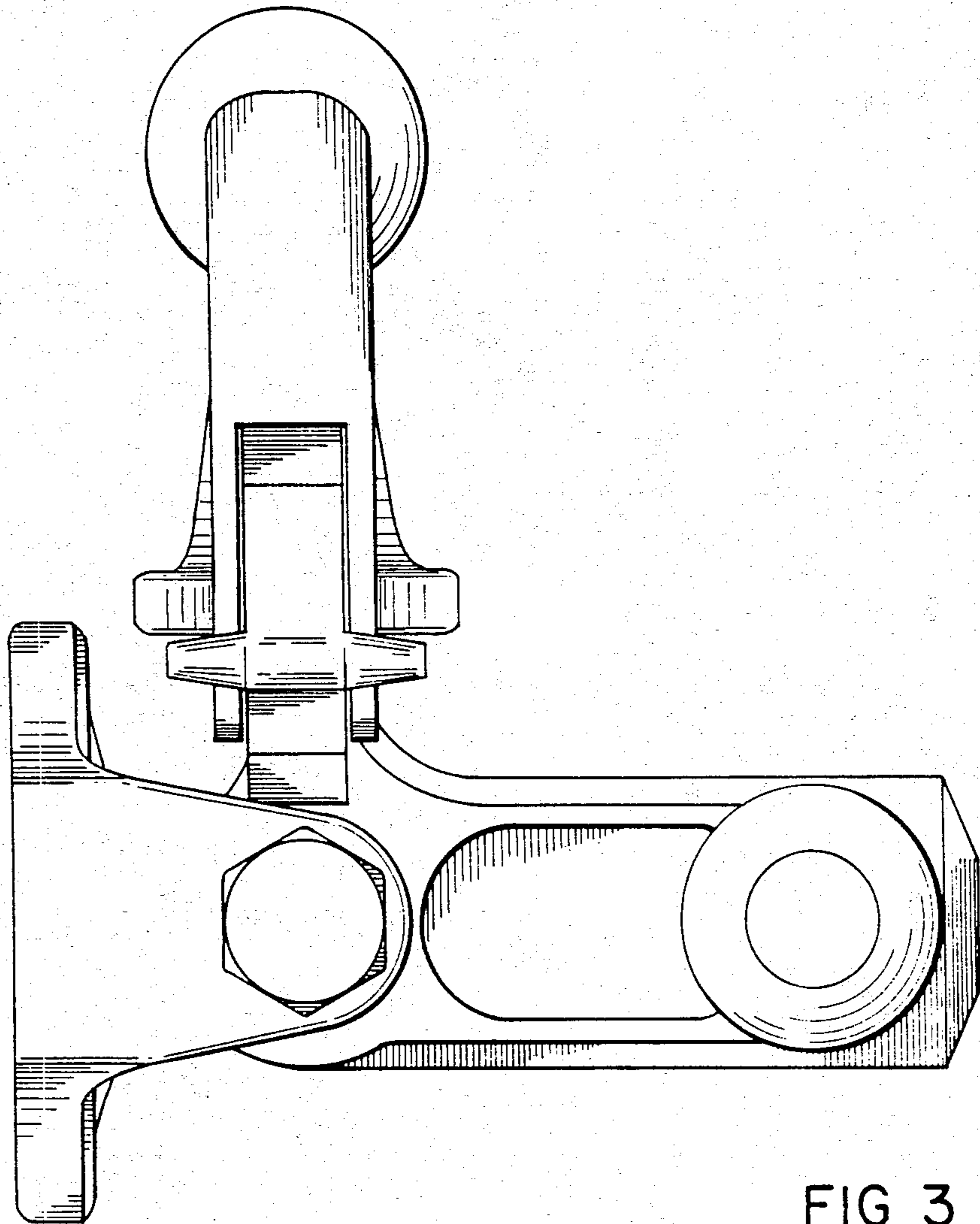


FIG 3

FIG 4

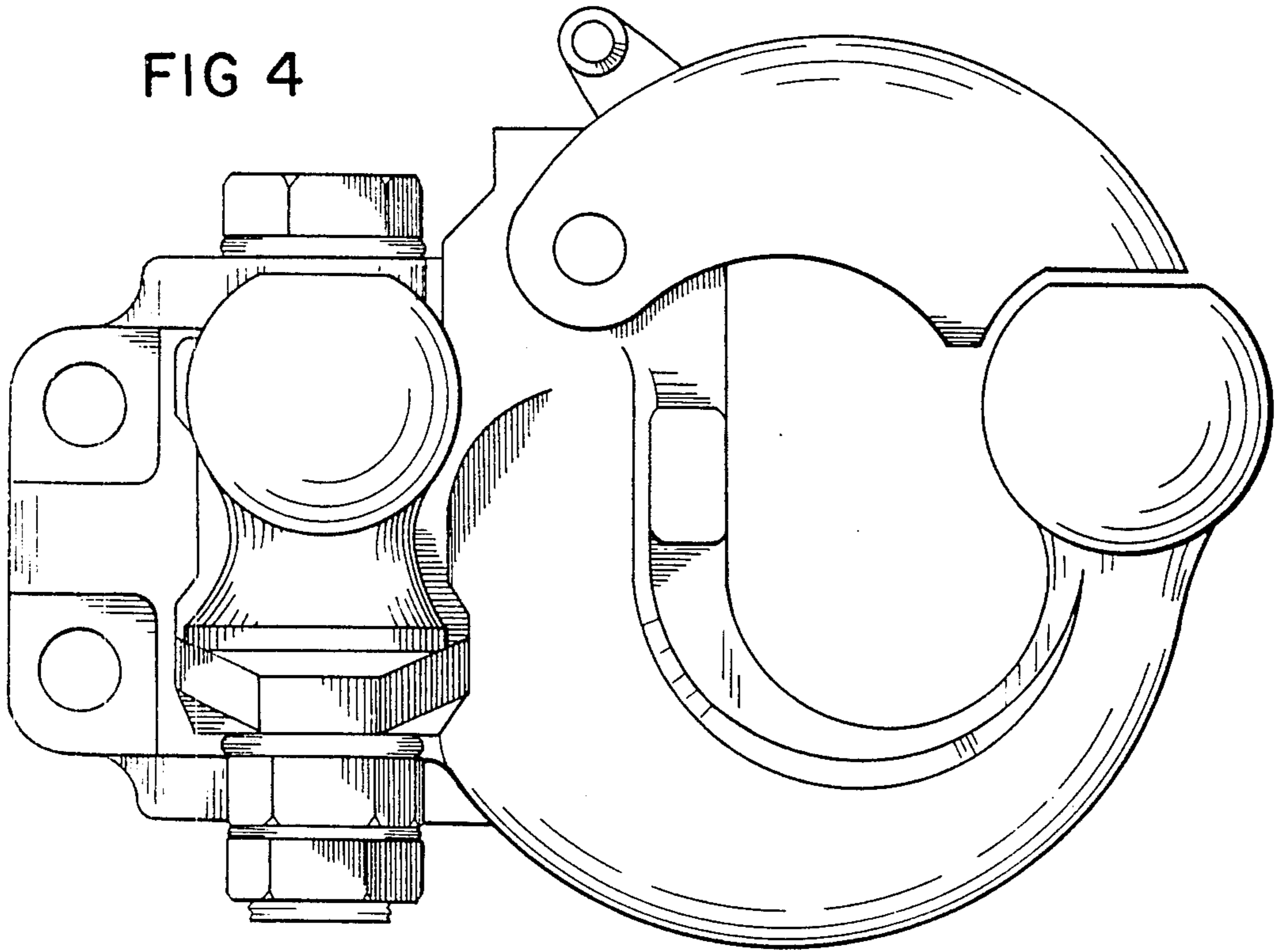
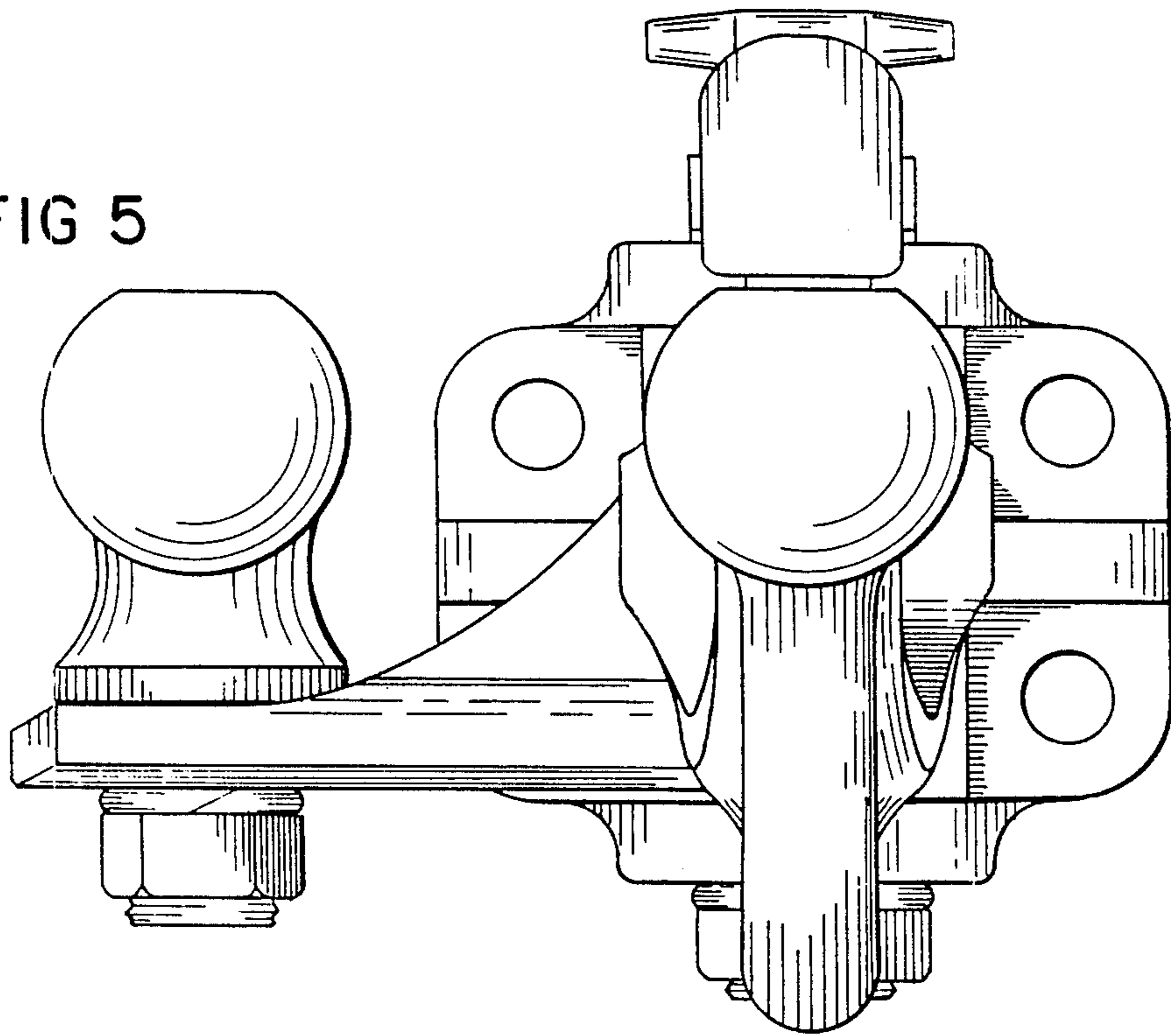


FIG 5



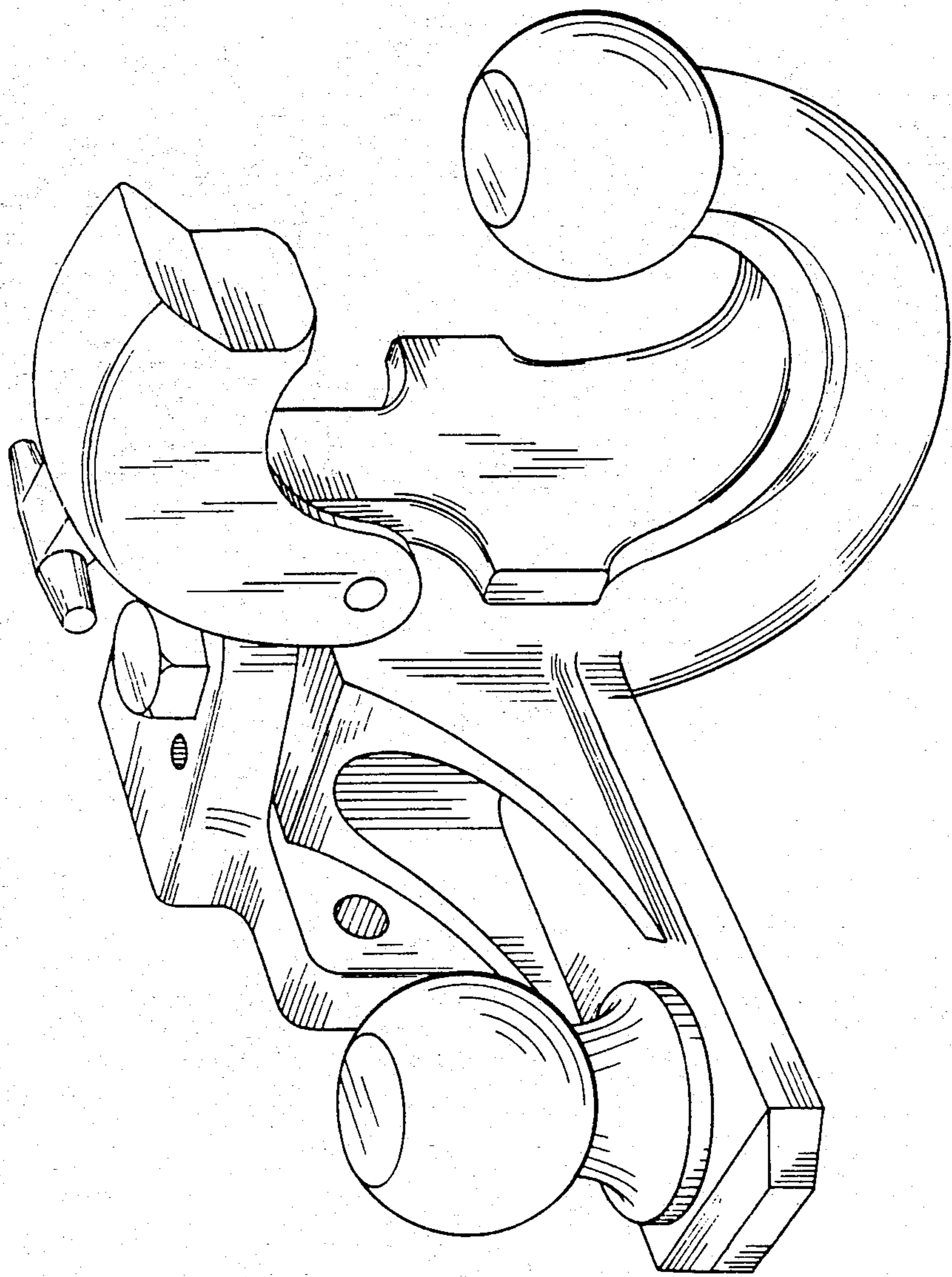


FIG 6

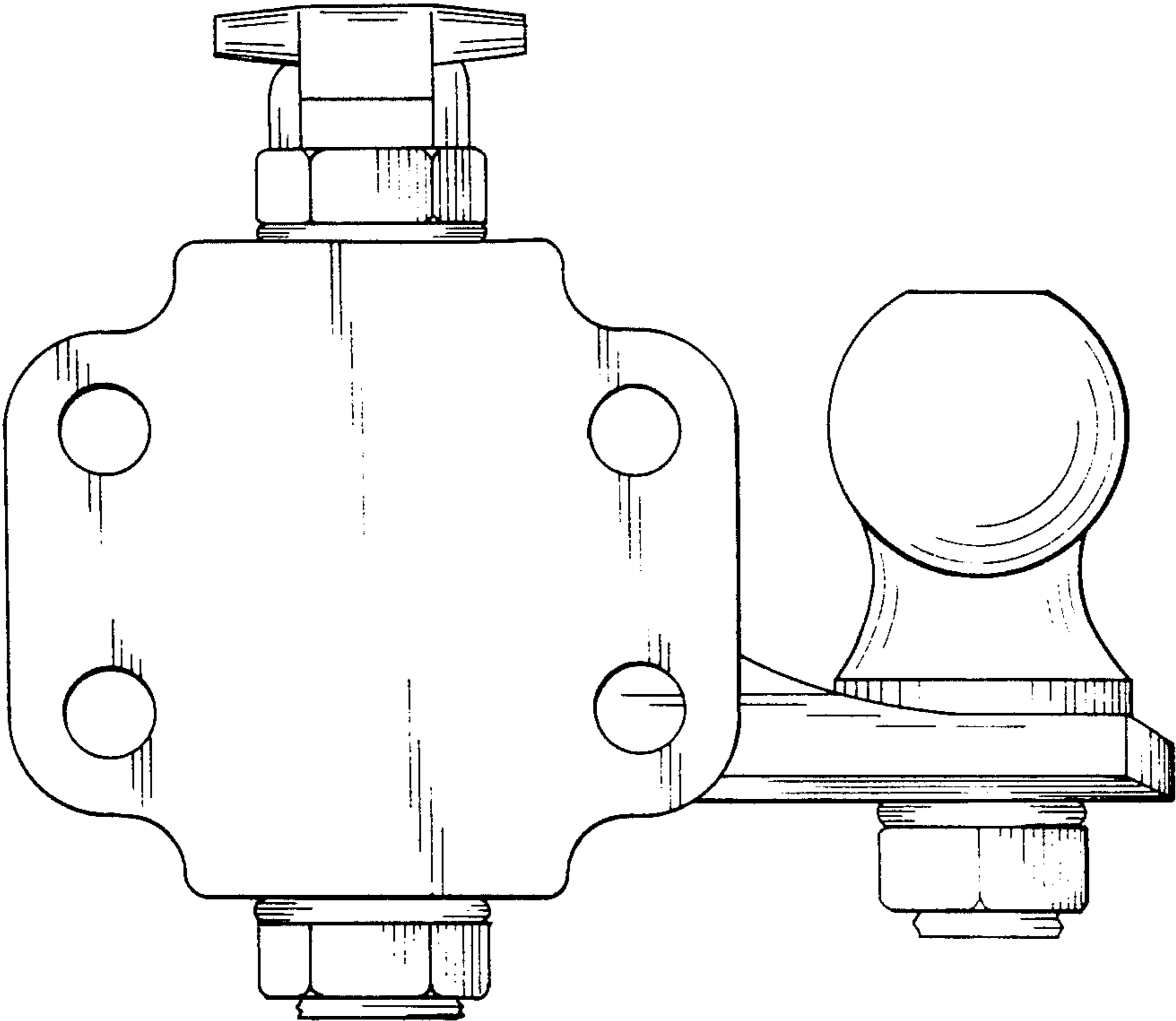


FIG 7

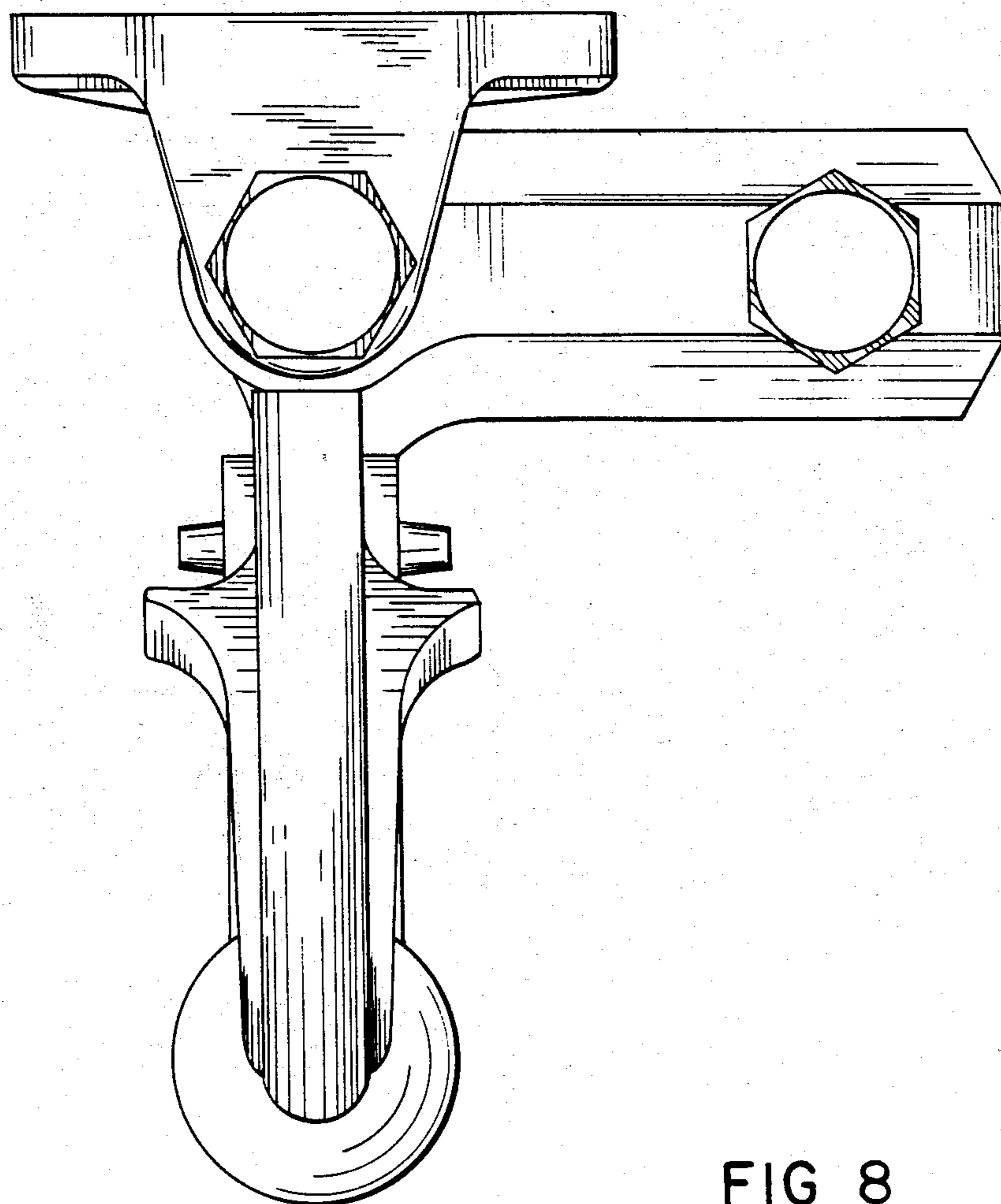


FIG 8

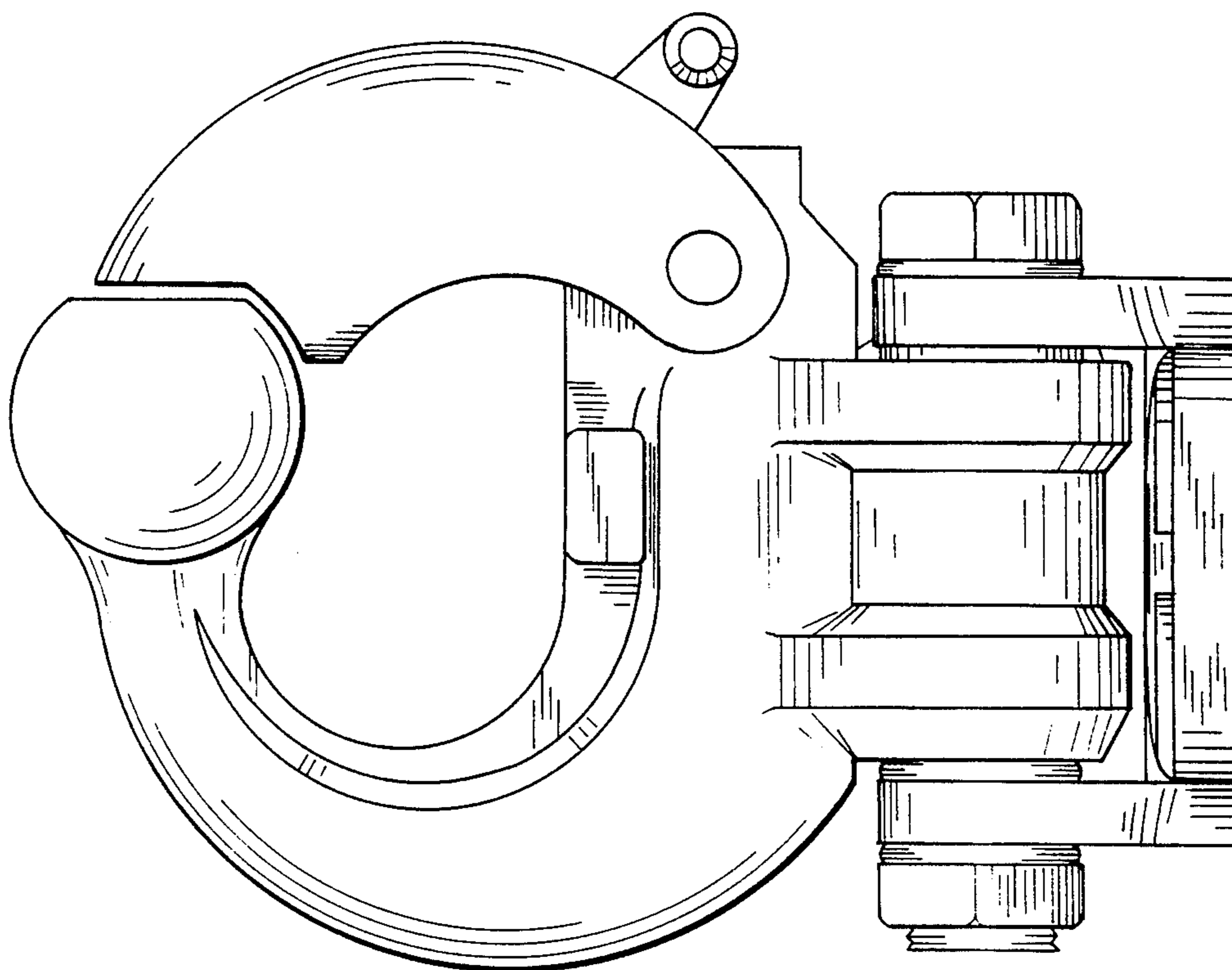


FIG 9