

[54] TRAILER STAND

[76] Inventor: James C. Heard, 2468 Arthur Rd., Germantown, Tenn. 38138

[**] Term: 14 Years

[21] Appl. No.: 441,072

[22] Filed: Nov. 12, 1982

[52] U.S. Cl. D12/106; D34/31

[58] Field of Search D12/106; 248/351, 352; 182/185, 181; 52/143; D25/67, 68; D34/31

[56] References Cited

U.S. PATENT DOCUMENTS

2,631,862	3/1953	Johnson	248/351
2,924,463	2/1960	Livermont	248/351 R
2,979,304	4/1961	Teel	D34/31

Primary Examiner—James M. Gandy

Assistant Examiner—Kay H. Chin
Attorney, Agent, or Firm—Walker & McKenzie

[57] CLAIM

The ornamental design for a trailer stand, as shown and described.

DESCRIPTION

FIG. 1 is a left side elevational view of the trailer stand, showing my new design, a portion of a trailer being shown in broken lines to more clearly indicate environmental structure, the left side being a mirror image of that shown.

FIG. 2 is a top plan view thereof in a reduced scale.

FIG. 3 is a bottom plan view thereof in a reduced scale.

FIG. 4 is a front elevational view thereof, the rear elevation being a mirror image of that shown.

FIG. 5 is a left side elevational view similar to FIG. 1 but showing the trailer stand in a closed position.

FIG. 6 is a front elevational view of FIG. 5.

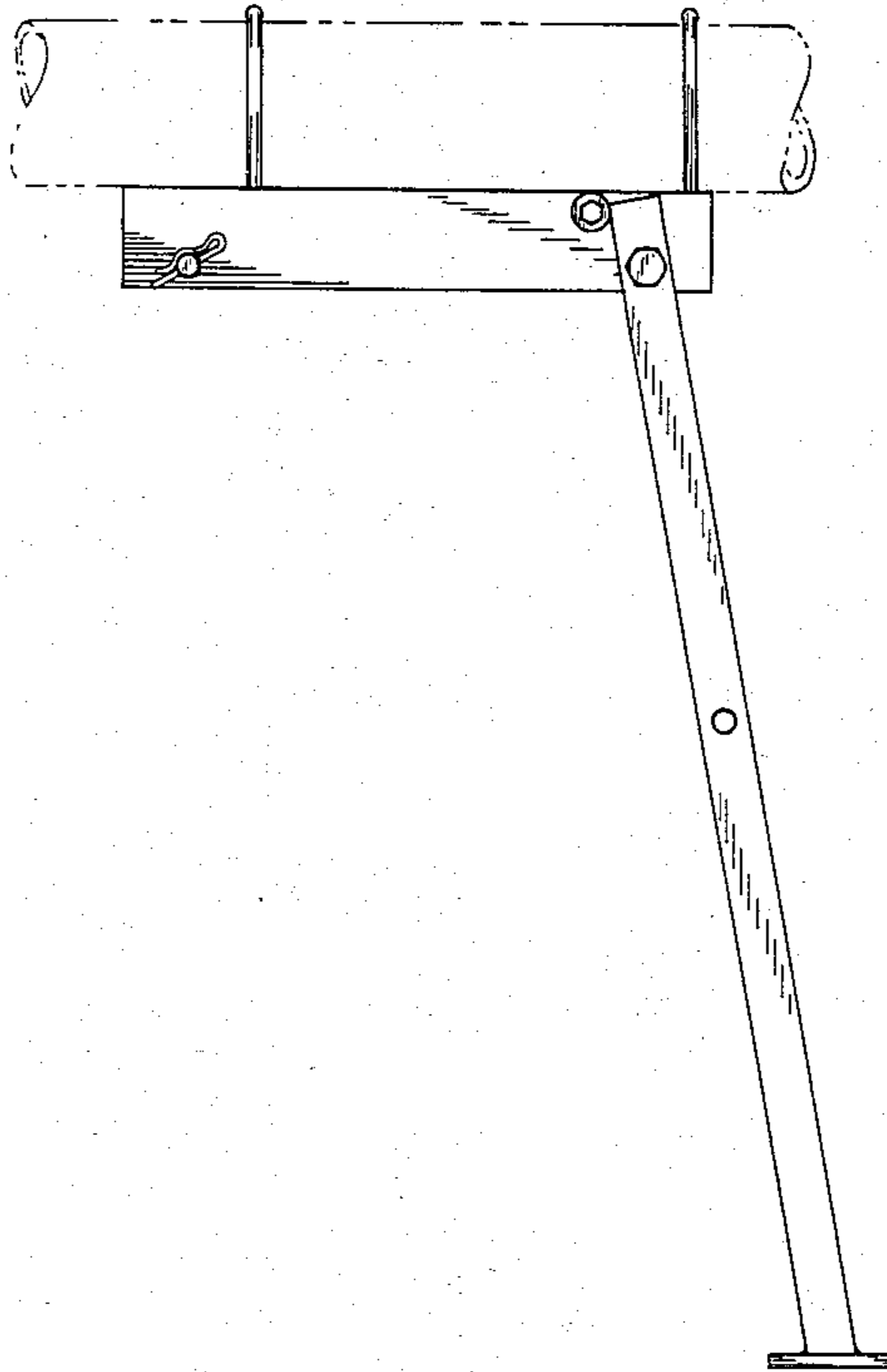


FIG. 1

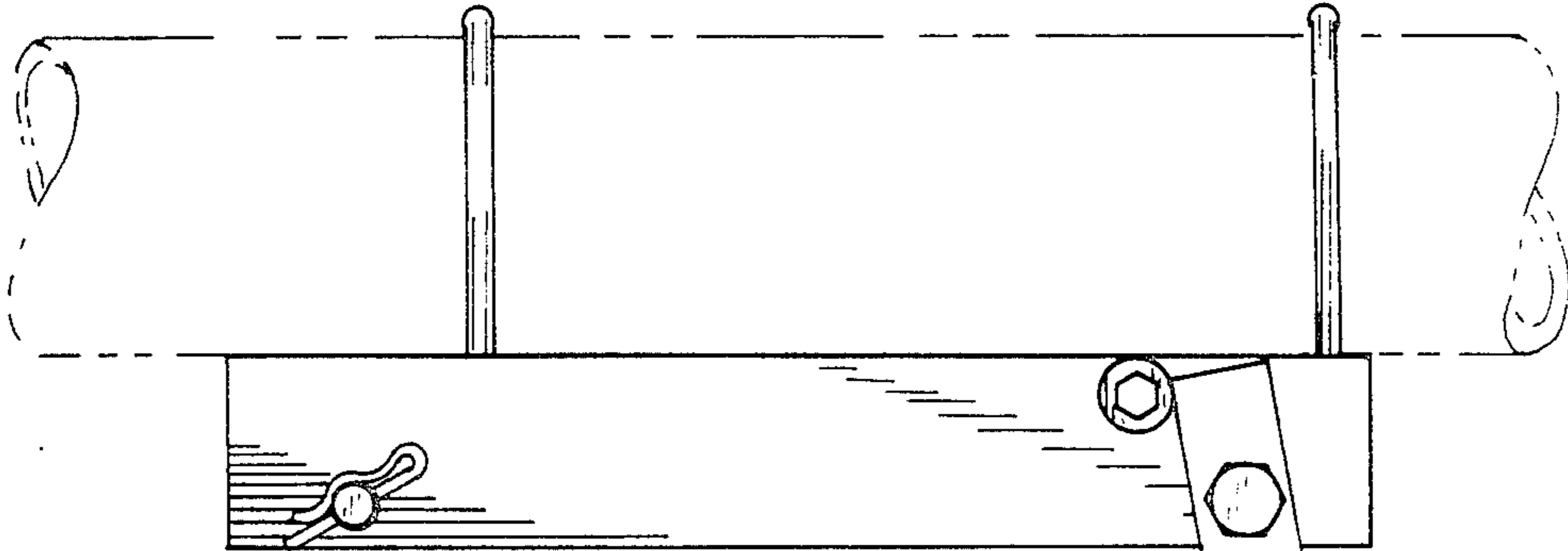


FIG. 2

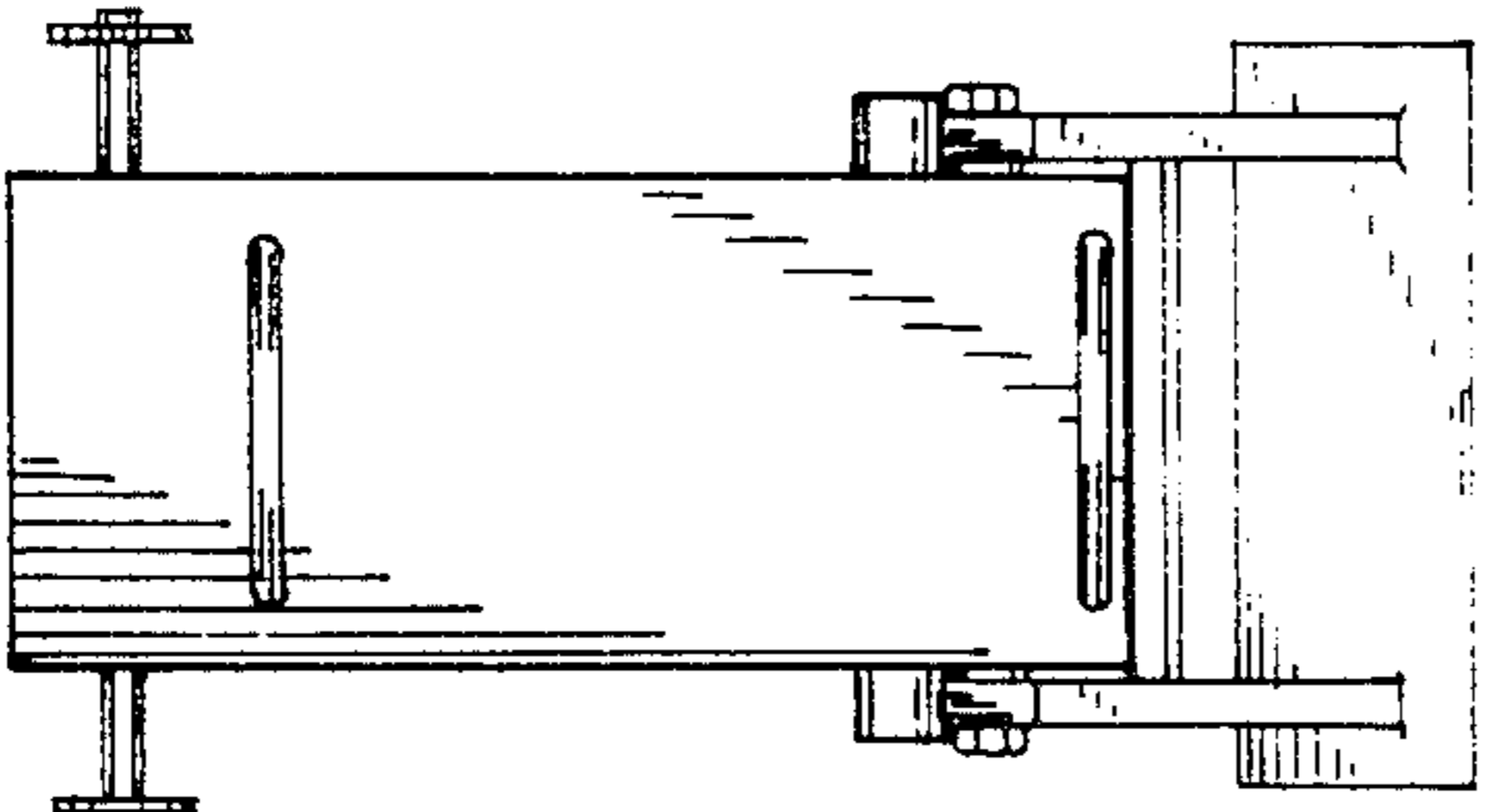


FIG. 3

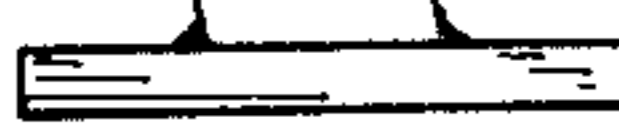
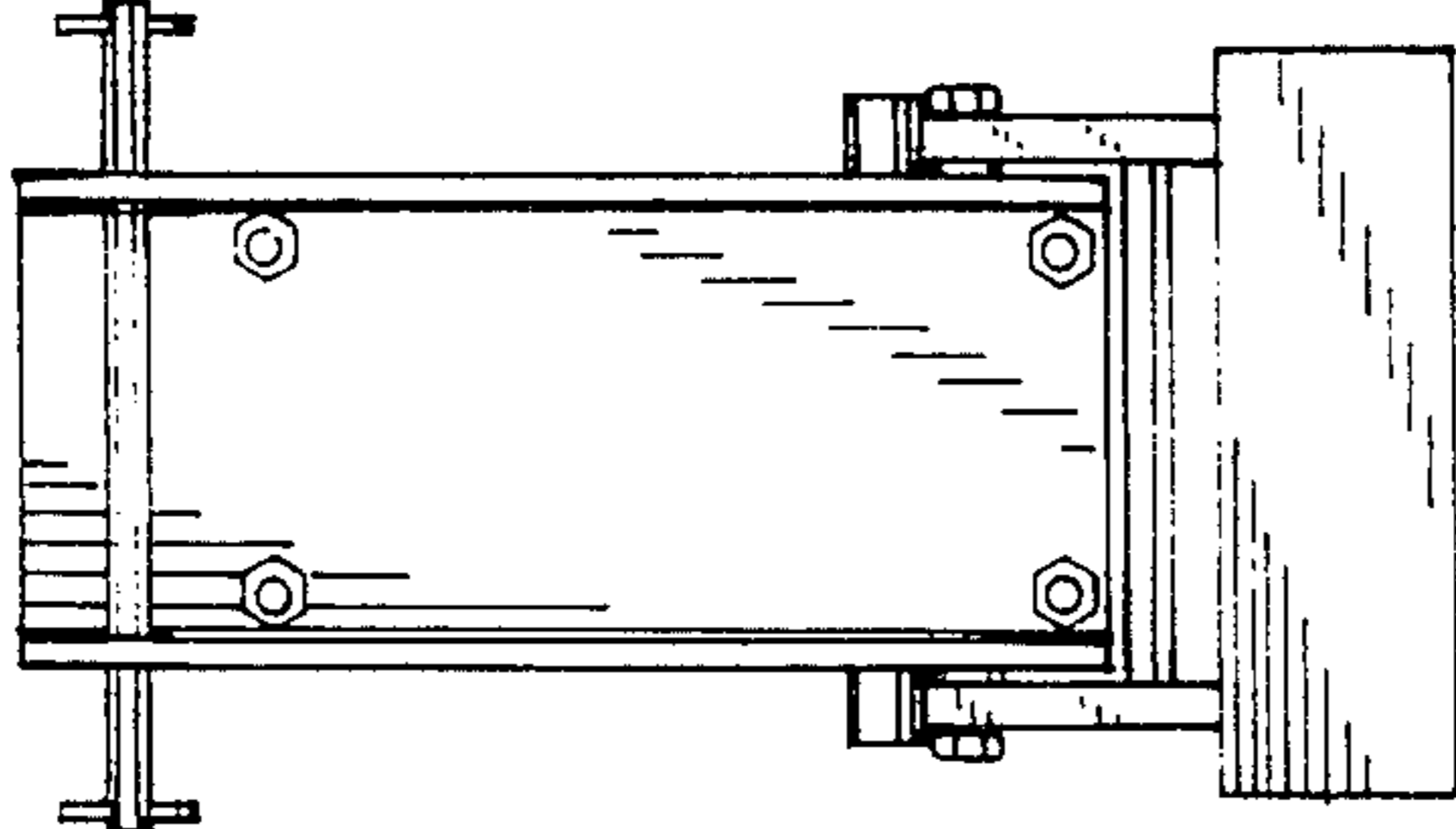


FIG. 4

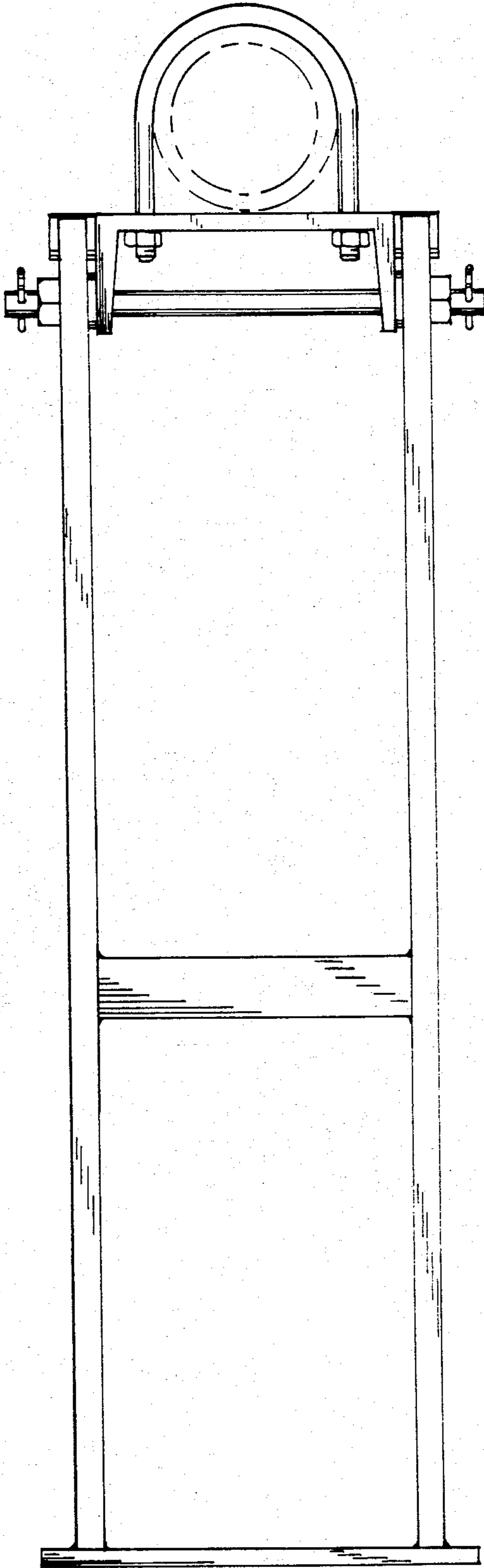


FIG. 5

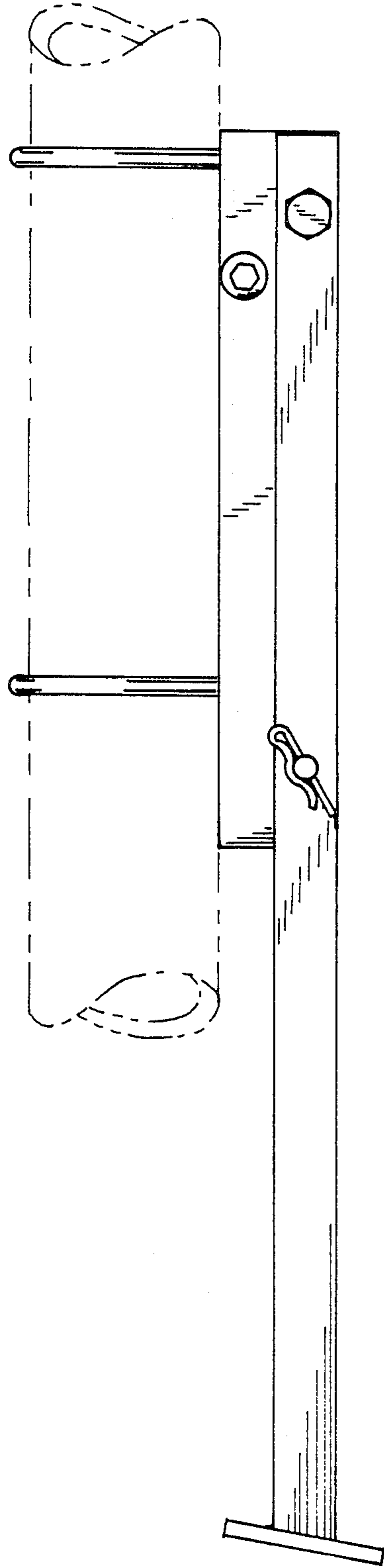


FIG. 6

