

[54] TRACTOR CAB

[76] Inventor: Robert P. Martin, Jr., c/o Martin Sheet Metal, Inc., 7108 Madison Ave., Cleveland, Ohio 44102

[\*\*] Term: 14 Years

[21] Appl. No.: 415,555

[22] Filed: Sep. 7, 1982

[52] U.S. Cl. .... D12/96

[58] Field of Search ..... D12/14, 96; D15/30; 296/190; 180/89.12

[56] References Cited

U.S. PATENT DOCUMENTS

D. 267,486 1/1983 Martin ..... D12/96

Primary Examiner—James M. Gandy

Attorney, Agent, or Firm—Pearne, Gordon, Sessions, McCoy, Granger & Tilberry

[57] CLAIM

The ornamental design for a tractor cab, as shown and described.

DESCRIPTION

FIG. 1 is a perspective view showing the front and one side of my new design for a tractor cab it being understood that the broken lines are for illustrative purposes only;

FIG. 2 is a perspective view showing the rear and opposite side thereof;

FIG. 3 is an enlarged top plan view thereof;

FIG. 4 is an enlarged front elevational view thereof;

FIG. 5 is an enlarged side elevational view thereof; and

FIG. 6 is an enlarged rear elevational view thereof.

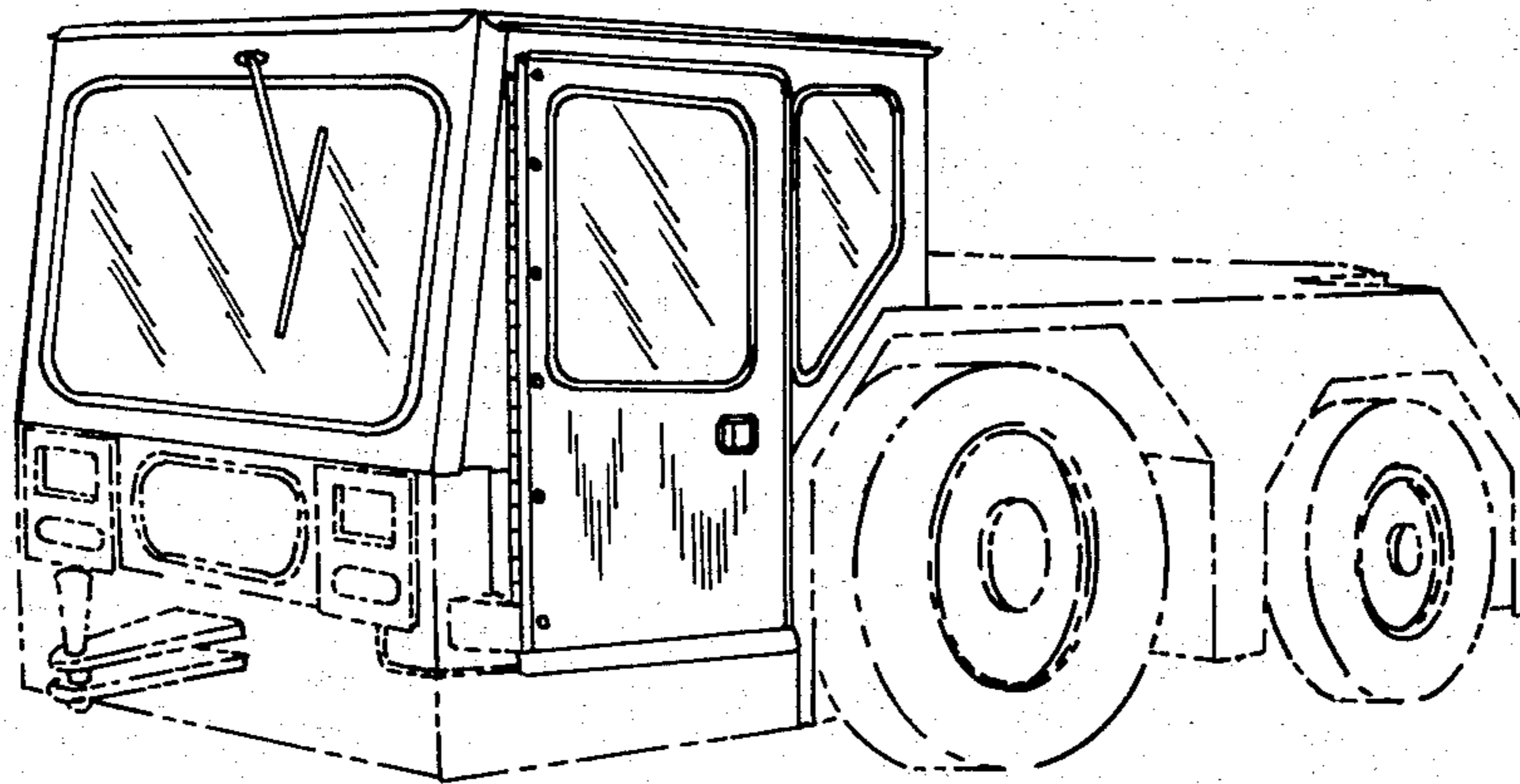


FIG. 1

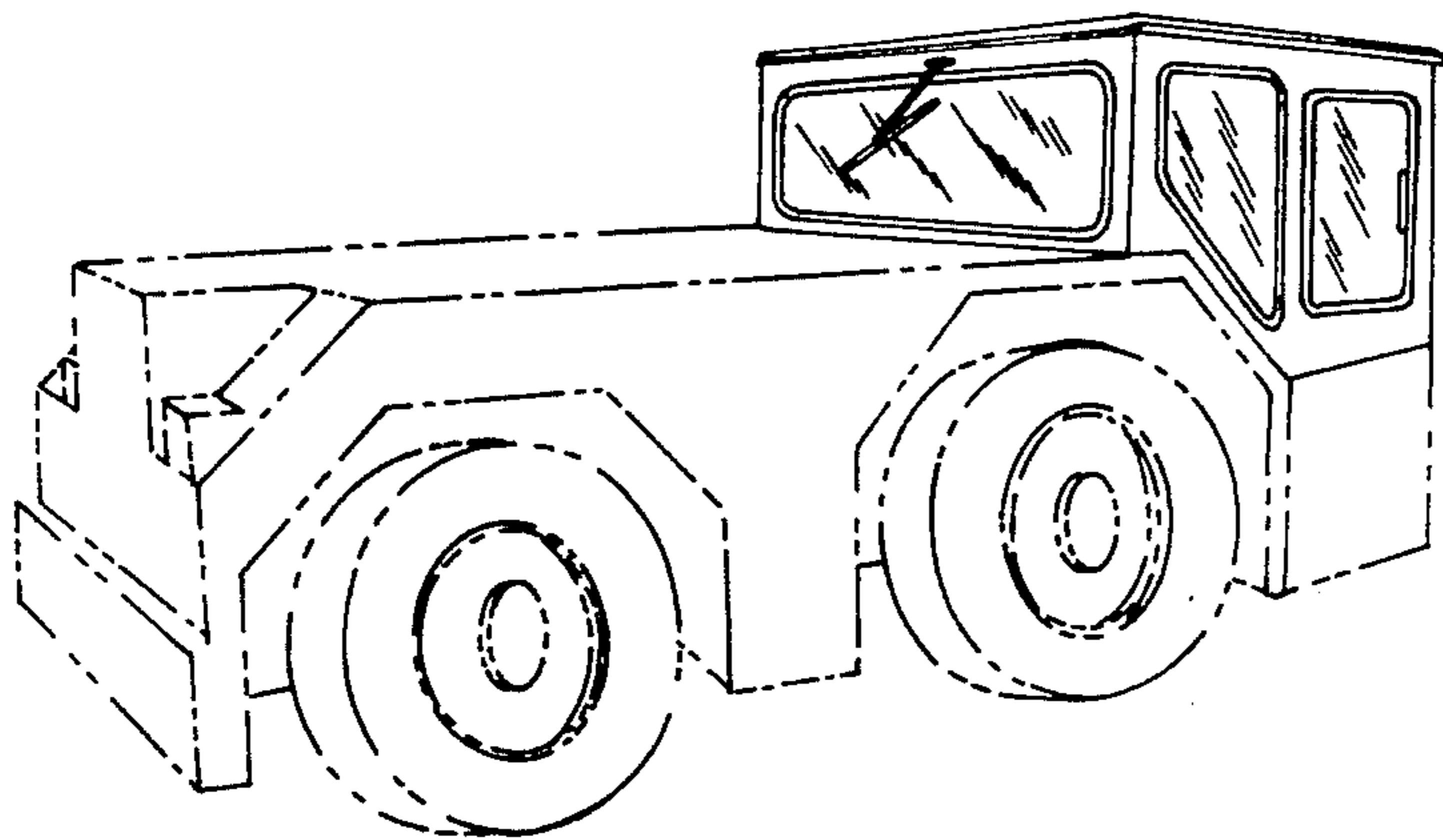
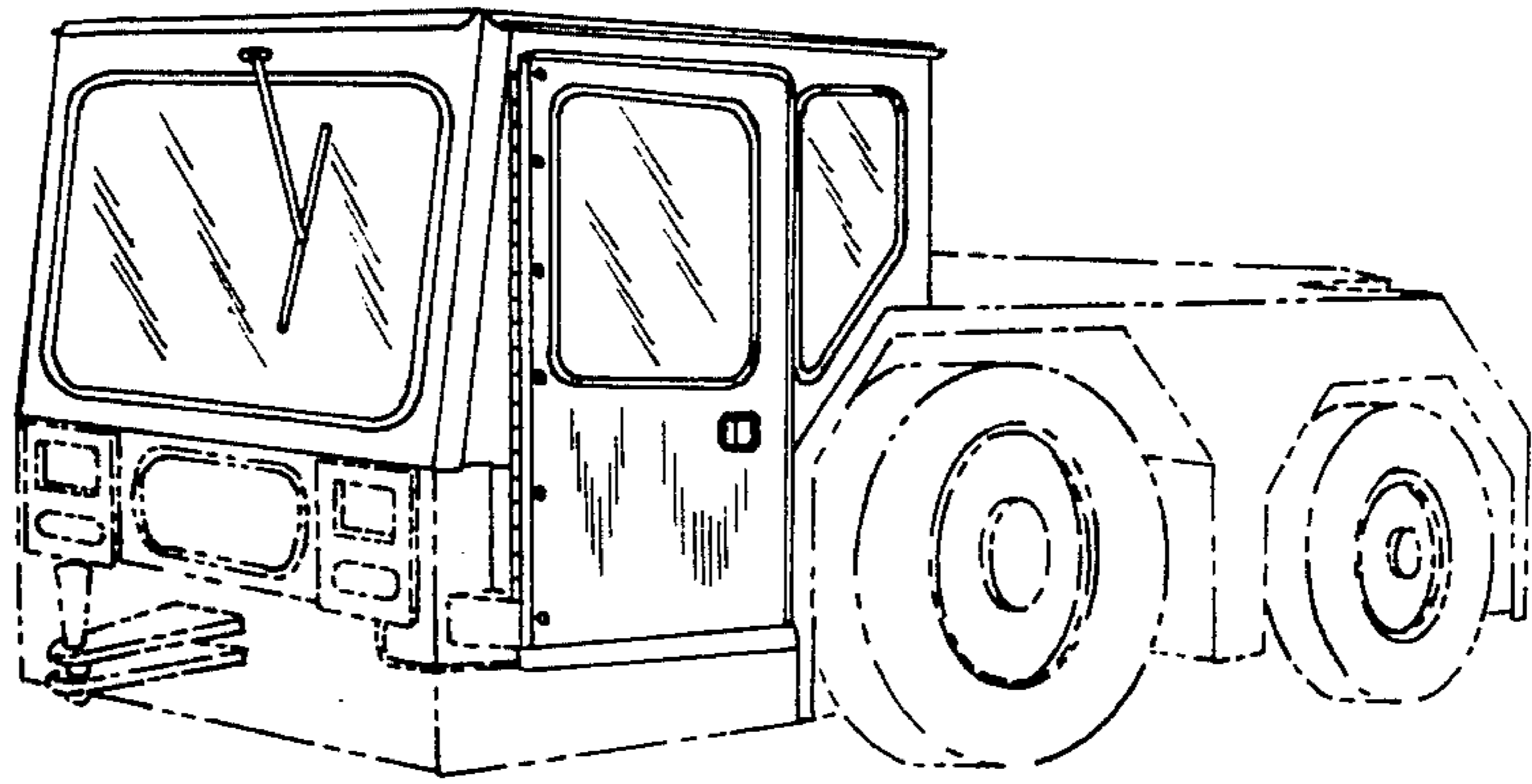


FIG. 2

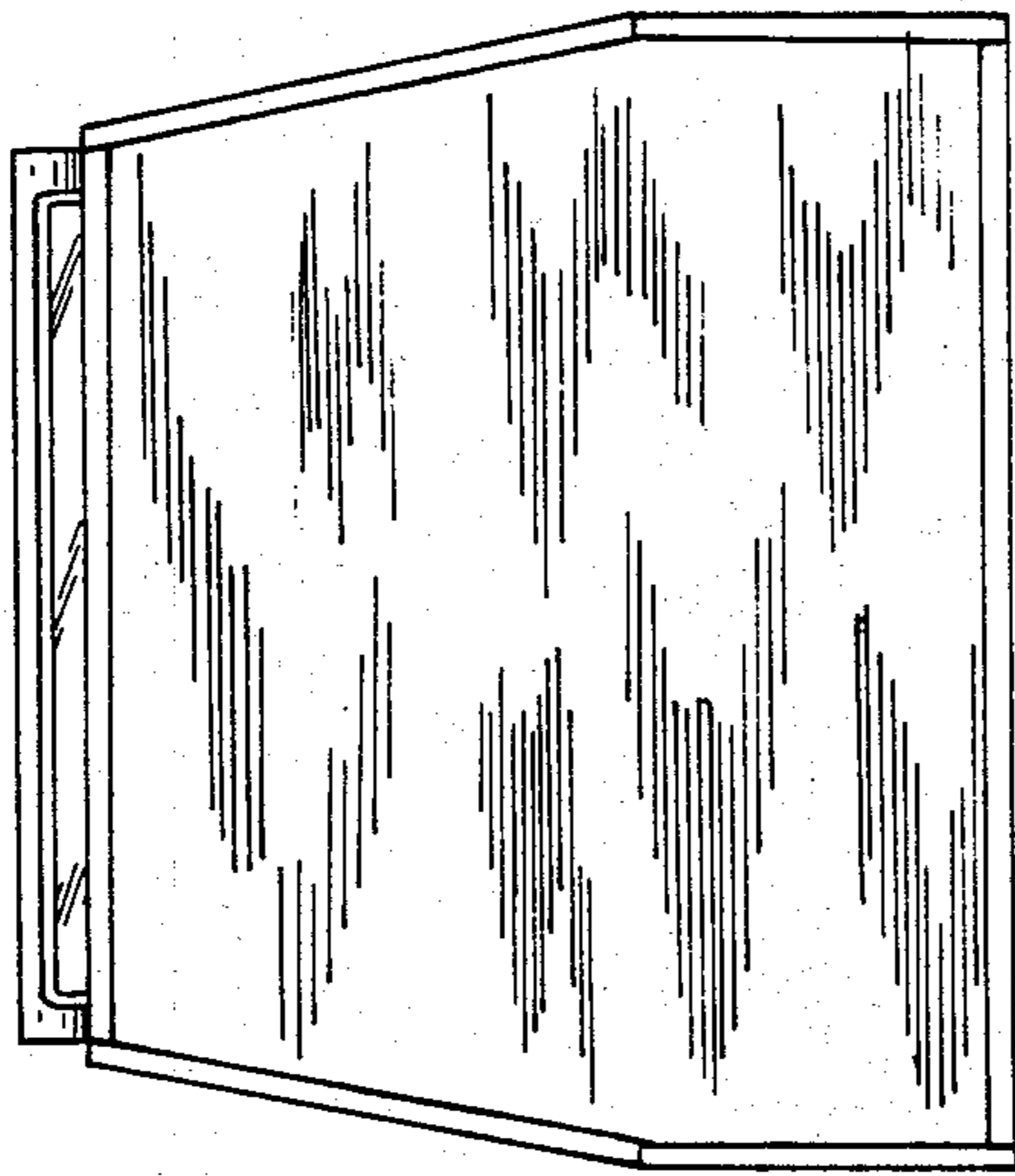


FIG. 3

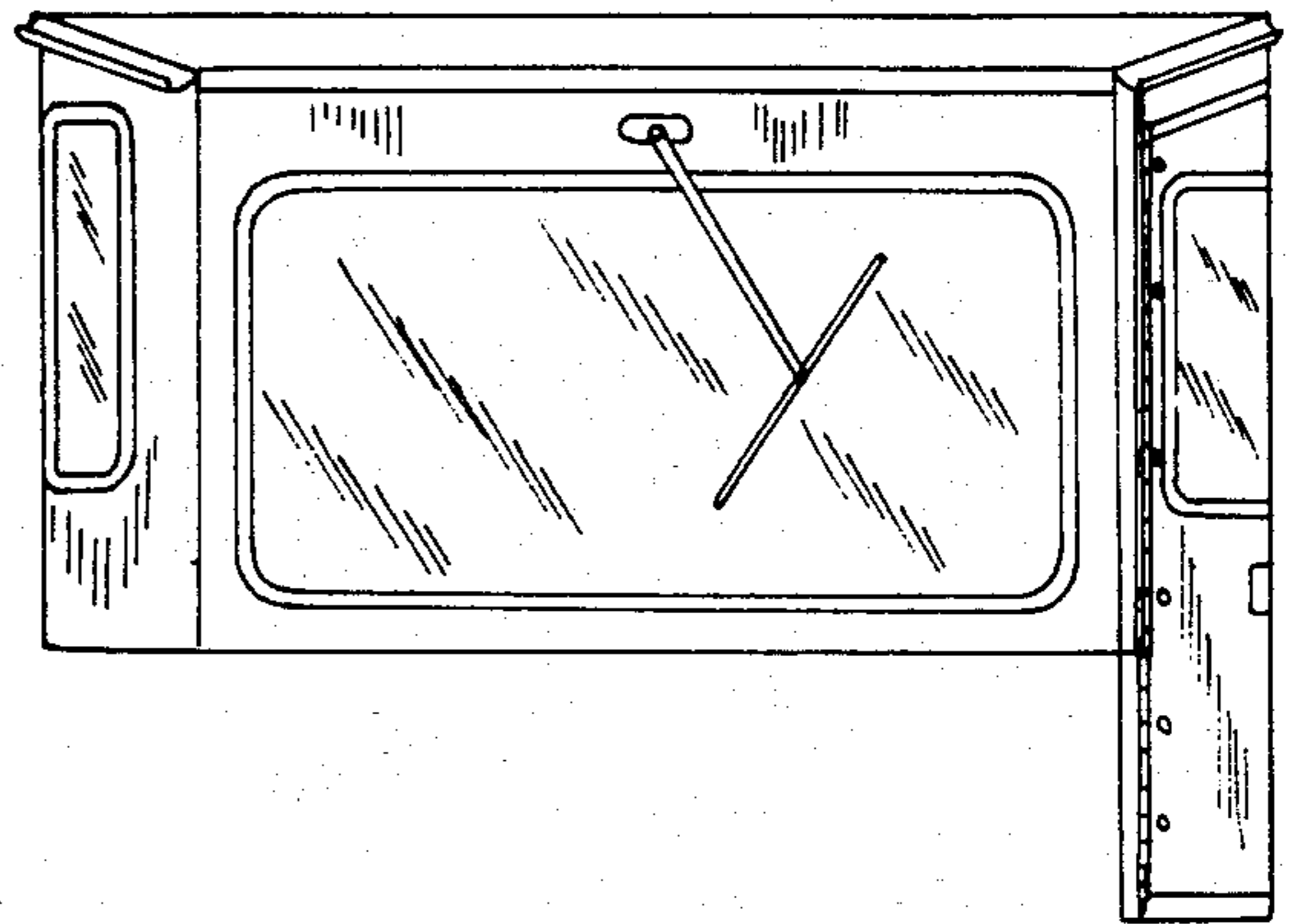


FIG. 4

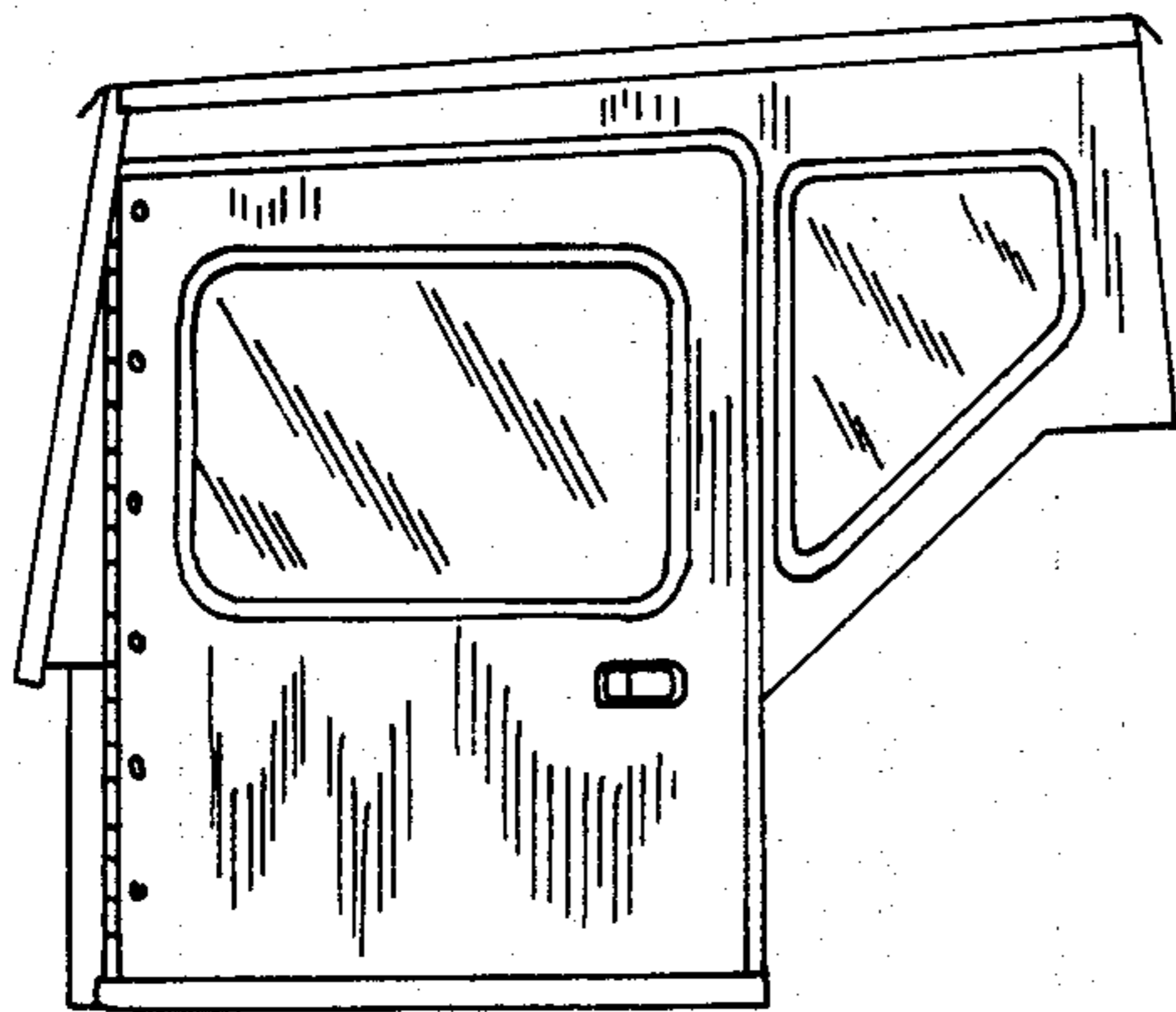


FIG. 5

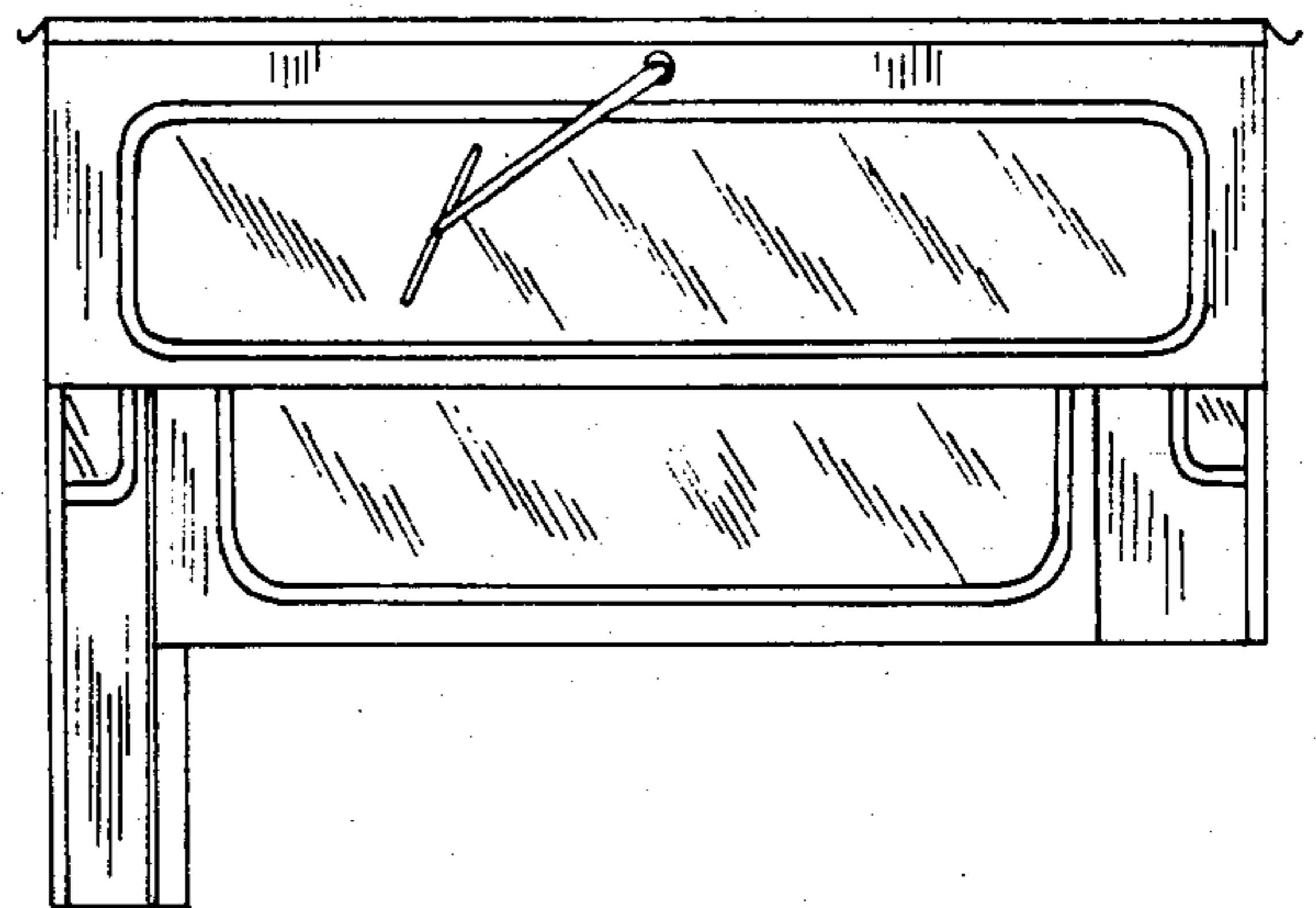


FIG. 6