

[54] PUCK FORCE MEASUREMENT TOOL

2,612,042 9/1952 Clarke 73/862.62
3,015,952 1/1962 Clagett 73/862.01

[75] Inventors: Charles Fleenor, Laguna Beach; Gary D. Martin, Laguna Niguel; T. Michael Reirdon, San Juan Capistrano, all of Calif.

OTHER PUBLICATIONS

Hunter Spring Co. Catalog, #750c, 11/58, p. 4, Plunger Assembly Tool, middle row, right.

[73] Assignee: Inter-Latin Development, Inc., San Juan Capistrano, Calif.

Primary Examiner—Bernard Ansher
Assistant Examiner—Terry Pfeffer

[**] Term: 14 Years

[57] CLAIM

[21] Appl. No.: 425,418

The ornamental design for a puck force measurement tool, substantially as shown and described.

[22] Filed: Sep. 28, 1982

DESCRIPTION

[52] U.S. Cl. D10/83

[58] Field of Search D10/46, 73, 74, 83,
D10/85, 94; 73/1 B, 862.01, 862.62

FIG. 1 is a left side view of a puck force measurement tool showing our new design;

FIG. 2 is a top plan view thereof;

FIG. 3 is a bottom plan view thereof;

FIG. 4 is a front plan view thereof;

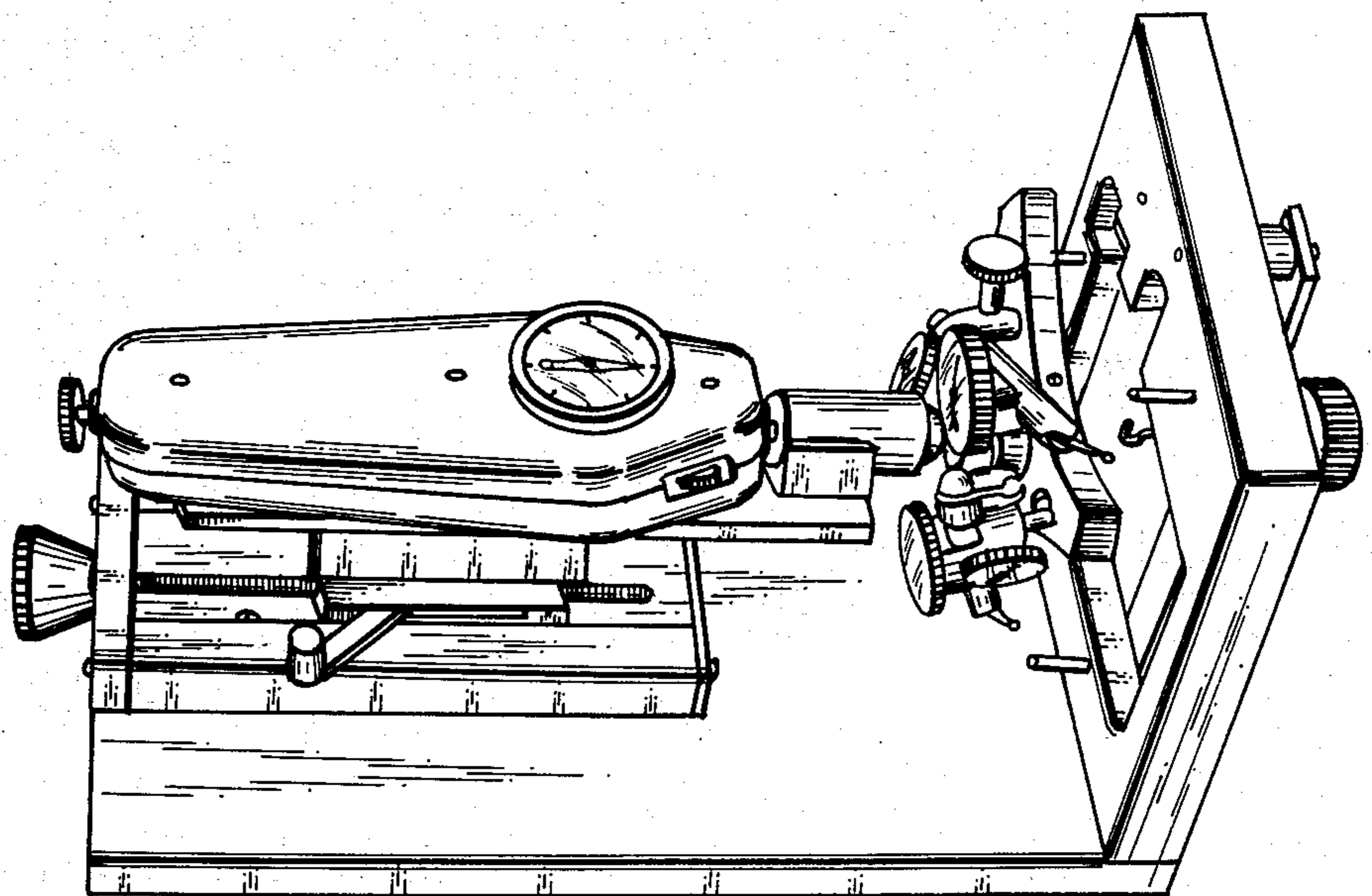
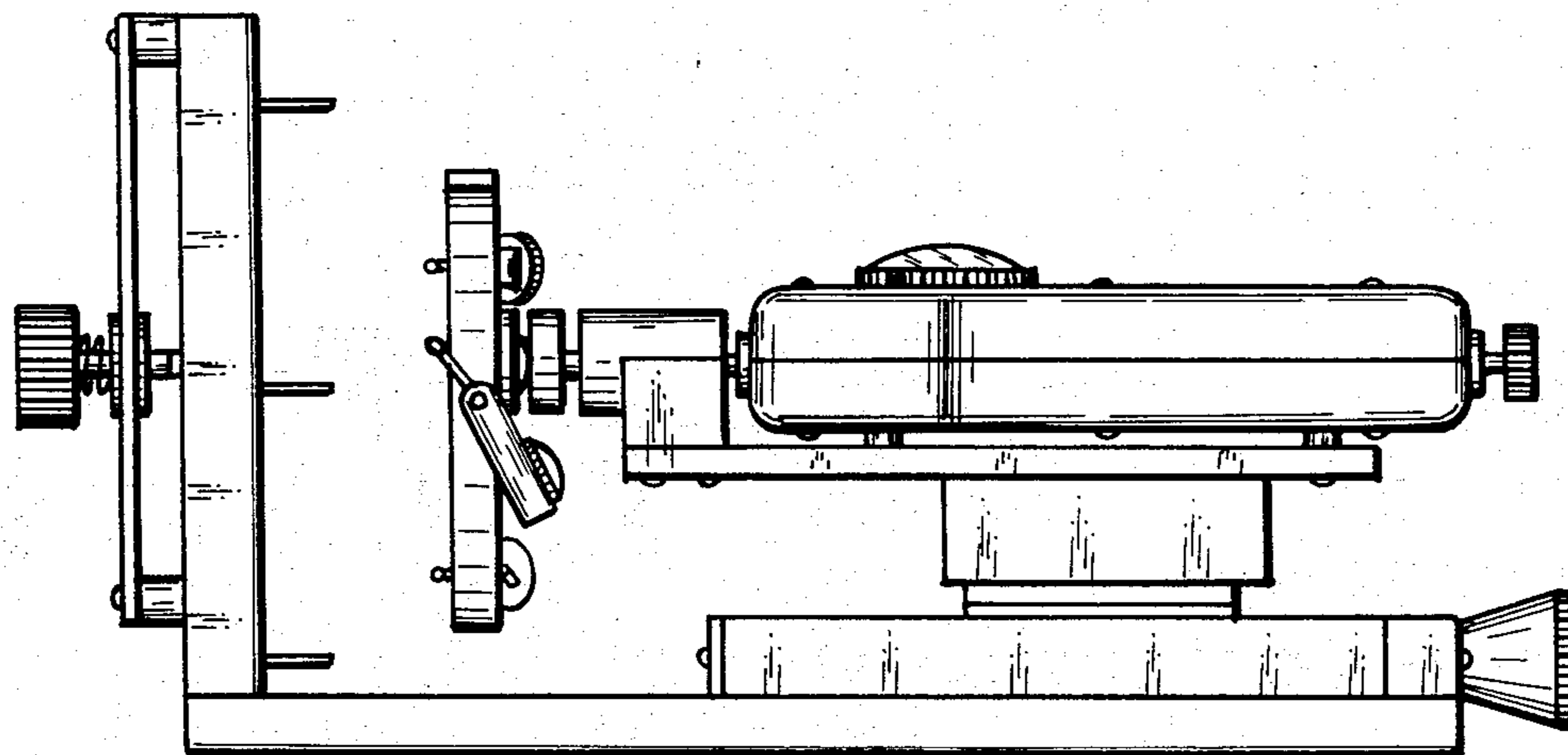
FIG. 5 is a rear plan view thereof; and

FIG. 6 is a side elevational view thereof taken from the right side of FIG. 2.

[56] References Cited

U.S. PATENT DOCUMENTS

D. 271,571	11/1983	Lonnstedt	D10/83
1,992,987	3/1935	Bitzer et al.	D10/83
2,357,569	9/1944	Wright et al.	D10/73



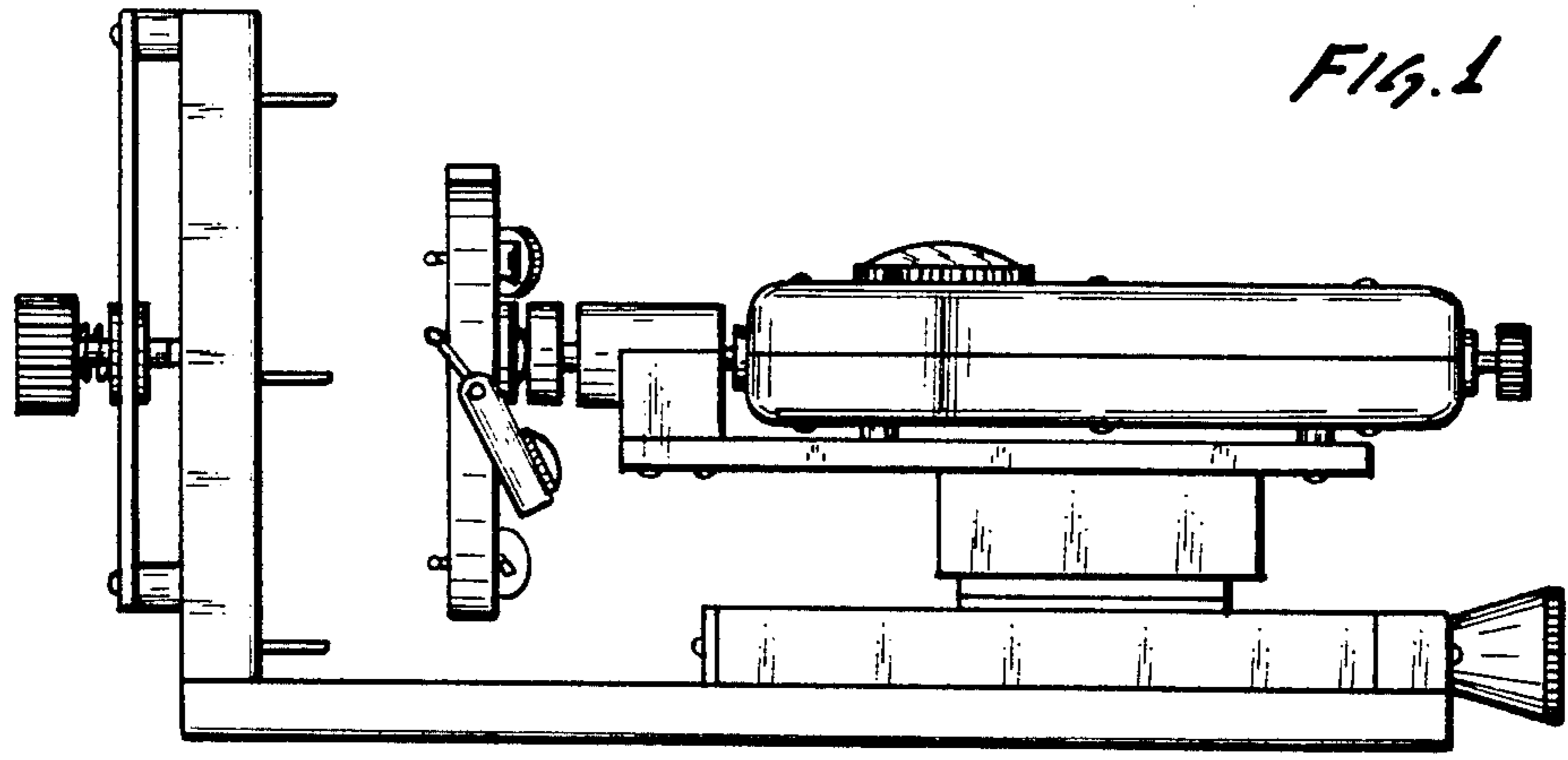


FIG. 2

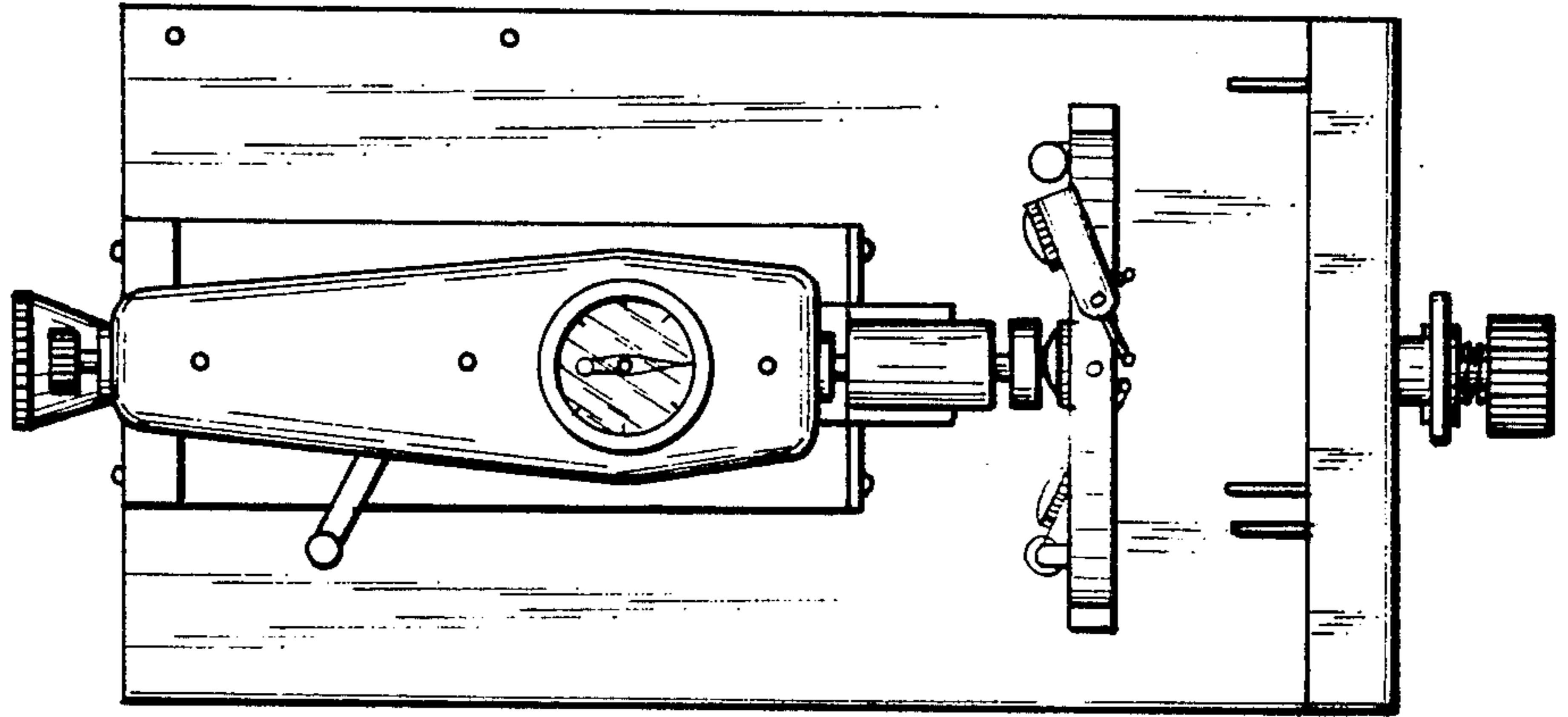


FIG. 3

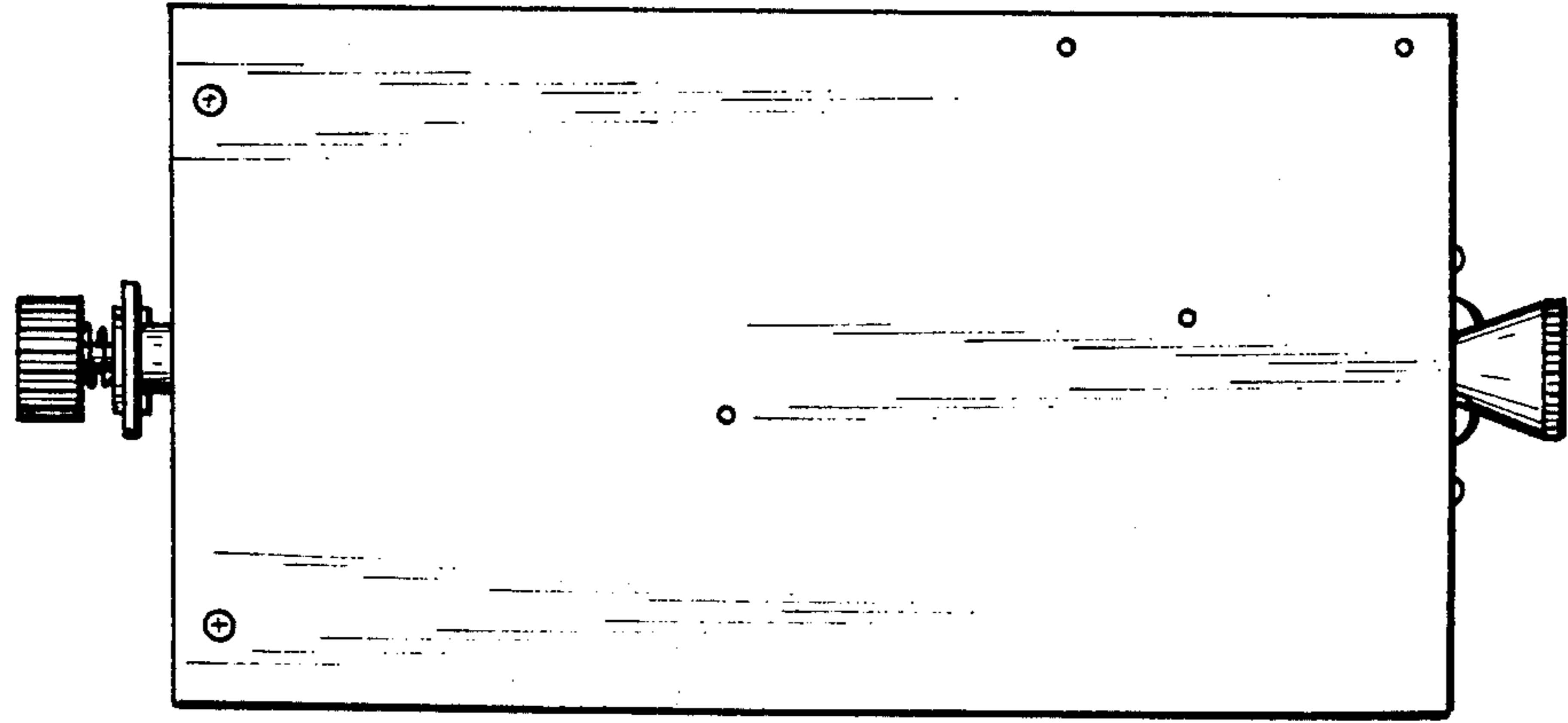


FIG. 4

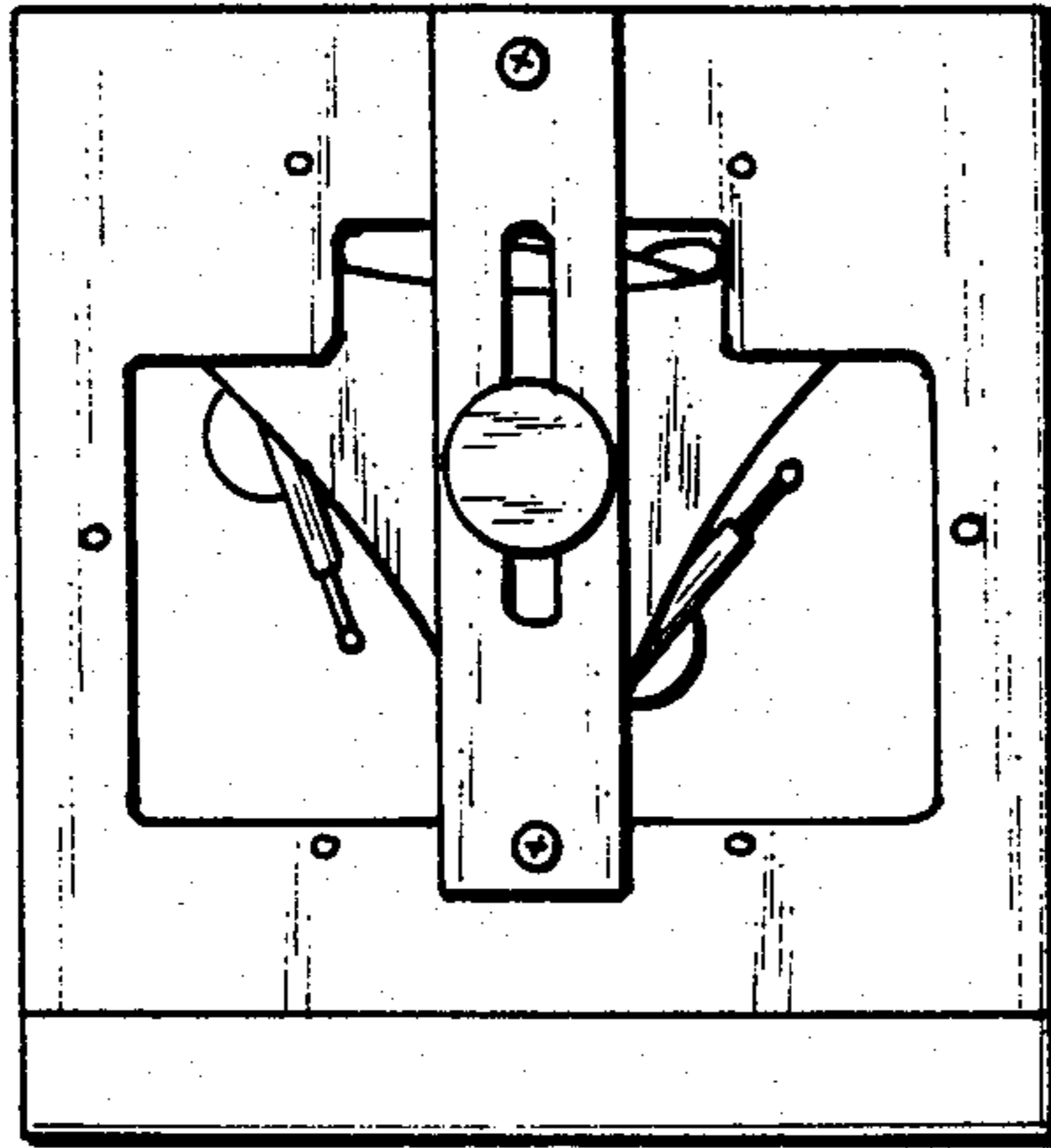


FIG. 5

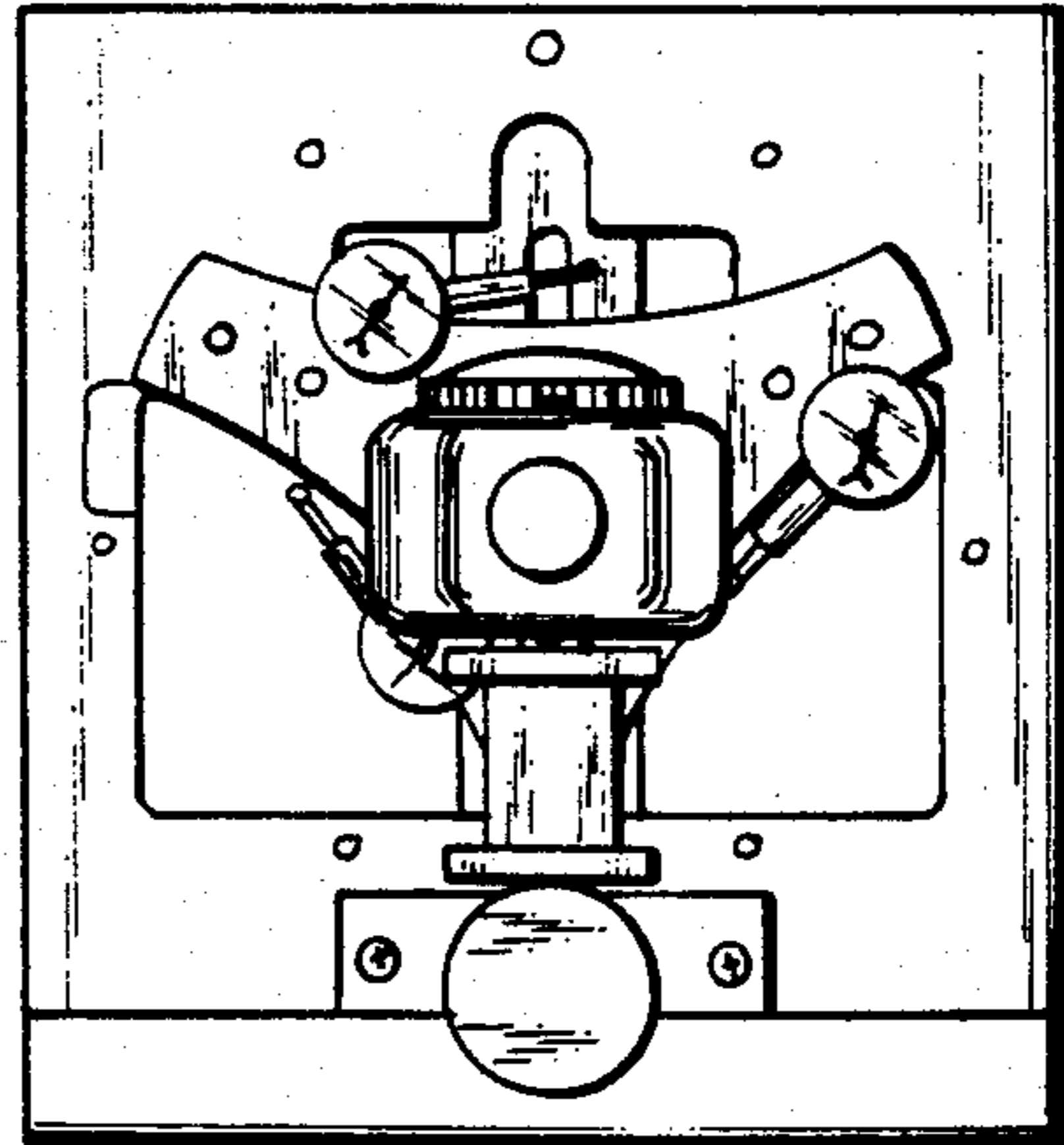


FIG. 6

