

United States Patent [19]

Wurm

[11] Patent Number: **Des. 279,656**

[45] Date of Patent: **** Jul. 16, 1985**

[54] **INTEGRATING SPHERE OR SIMILAR ARTICLE**

[75] Inventor: **John W. Wurm, Lincoln, Nebr.**

[73] Assignee: **Li-Cor, Inc., Lincoln, Nebr.**

[**] Term: **14 Years**

[21] Appl. No.: **424,169**

[22] Filed: **Sep. 27, 1982**

[52] U.S. Cl. **D10/47; D24/8**

[58] Field of Search **D10/47; D24/8; 356/215, 356/236**

4,120,582 10/1978 DeVries et al. 356/236 X
4,232,971 11/1980 Suga 356/236 X
4,310,246 1/1982 Blazek 356/236
4,310,249 1/1982 Kramer 356/236 X

Primary Examiner—Catherine E. Kemper
Attorney, Agent, or Firm—Vincent L. Carney

[57] CLAIM

The design for an integrating sphere or similar article, substantially as shown.

DESCRIPTION

FIG. 1 is a perspective view of an integrating sphere or similar article showing my new design;
FIG. 2 is a right side elevational view thereof;
FIG. 3 is a plan view thereof;
FIG. 4 is a left side elevational view thereof;
FIG. 5 is a bottom view thereof;
FIG. 6 is a front elevational view thereof; and
FIG. 7 is a rear elevational view thereof;

[56] References Cited

U.S. PATENT DOCUMENTS

2,347,066 4/1944 Shurcliff 356/236
3,432,243 3/1969 Hardesty 356/236 X
3,874,799 4/1975 Isaacs et al. 356/236 X

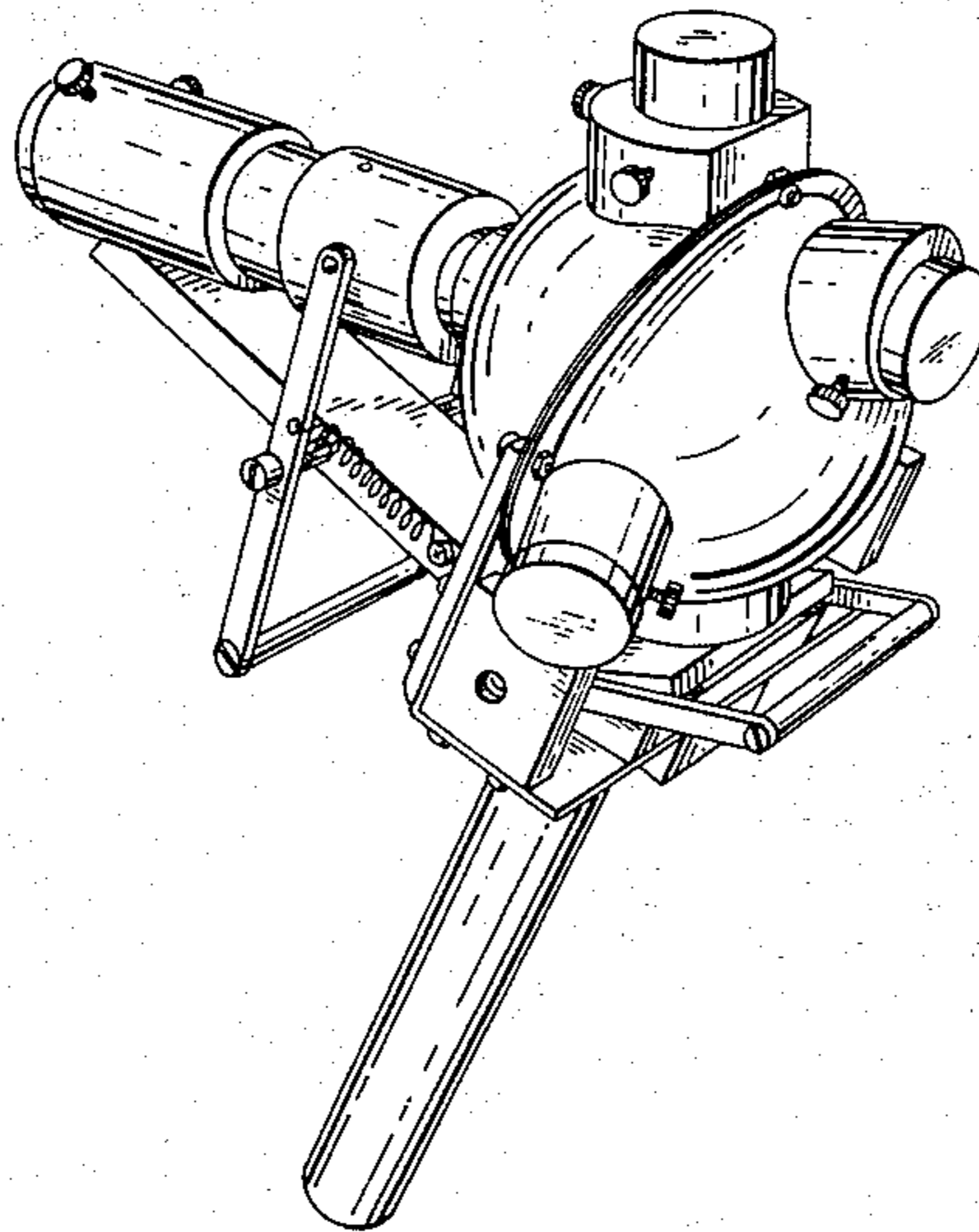


FIG. 1

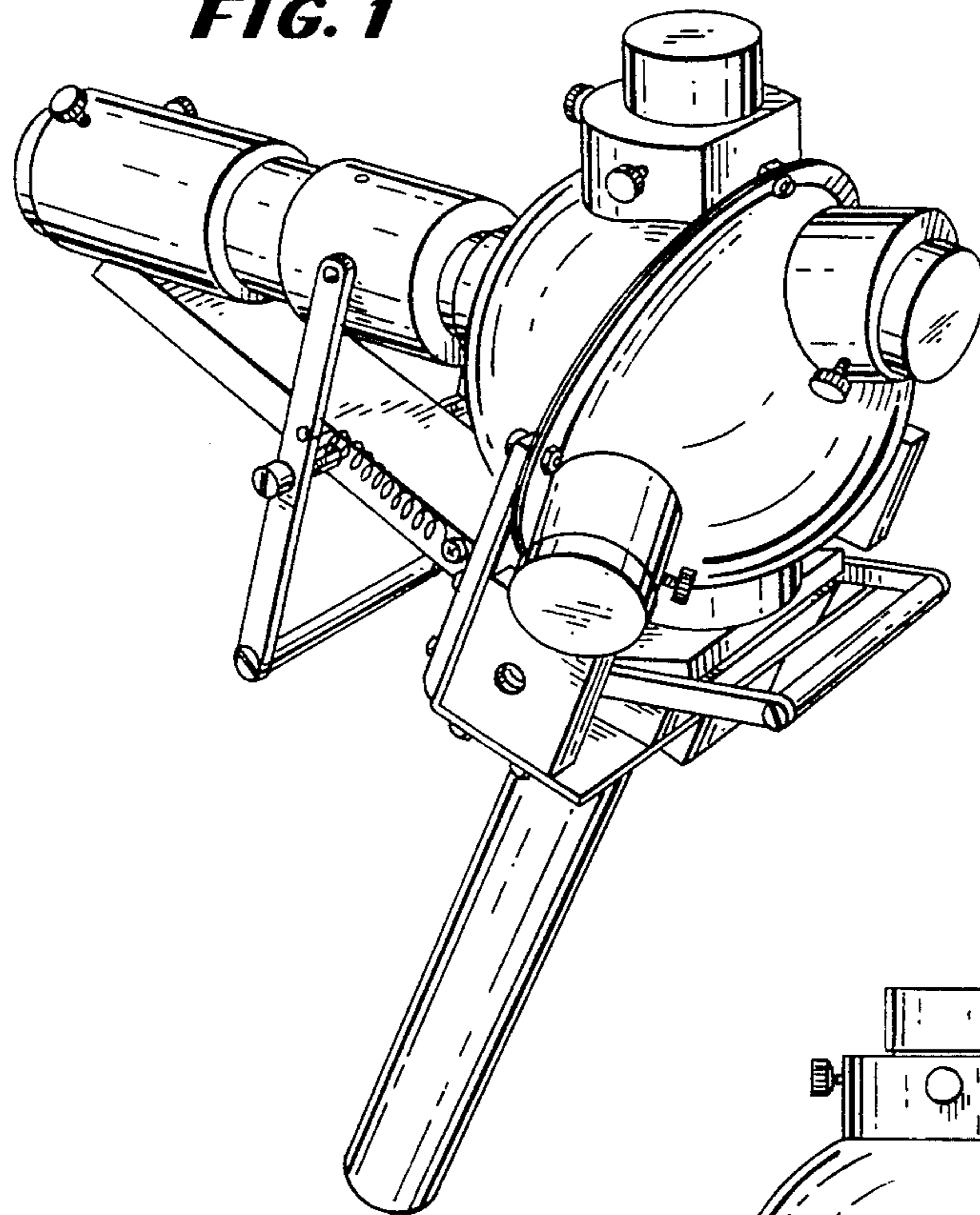


FIG. 2

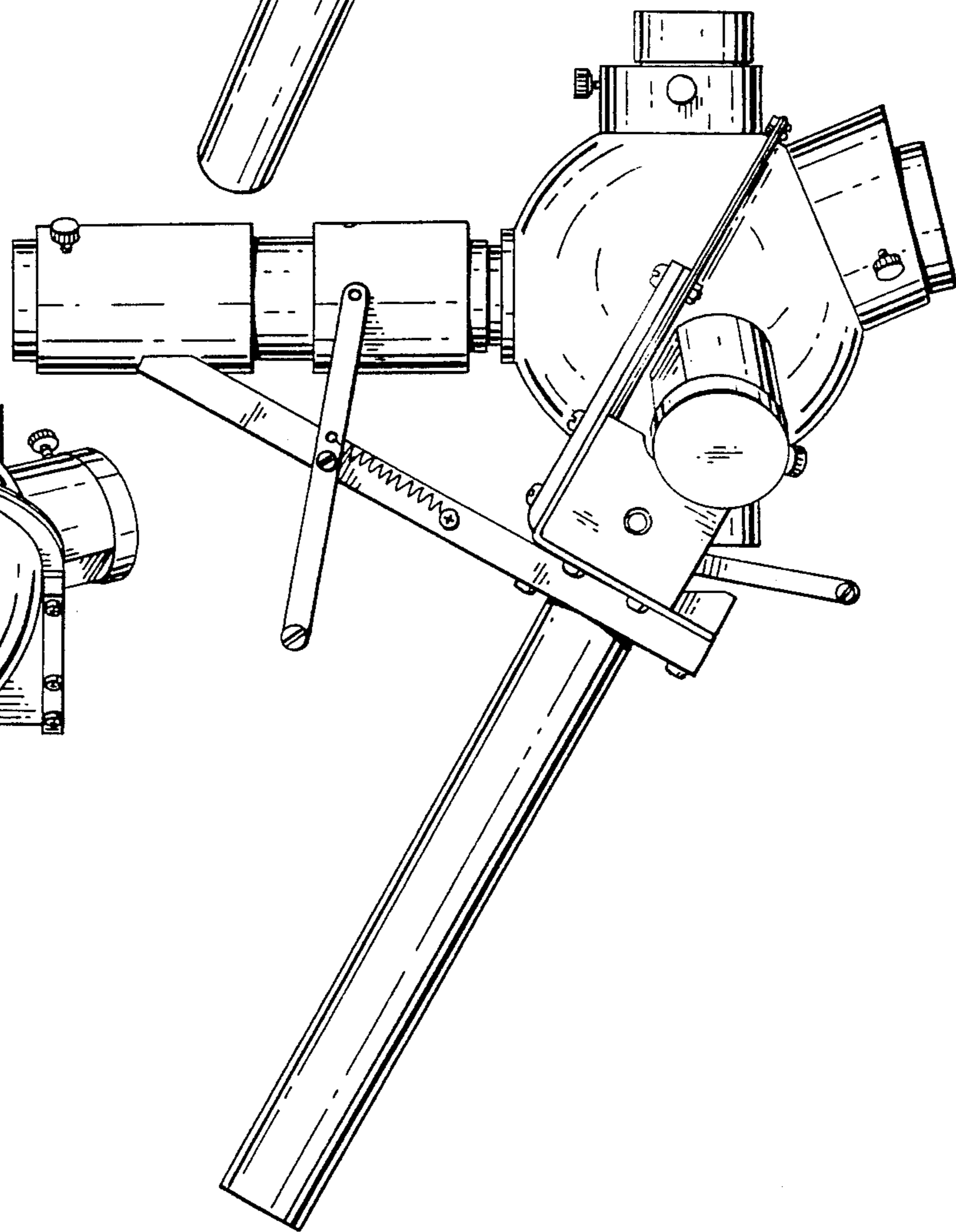


FIG. 3

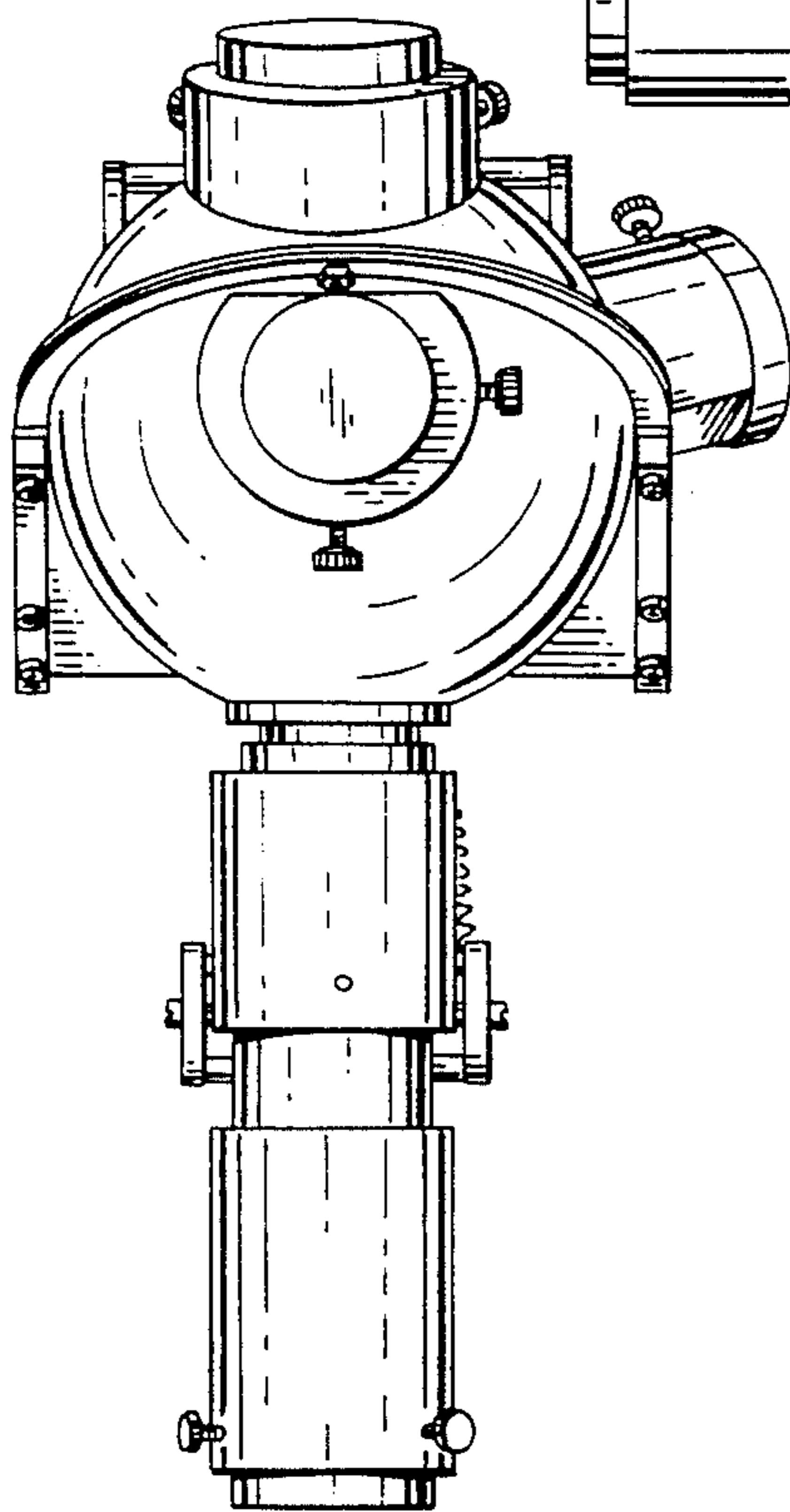


FIG. 4

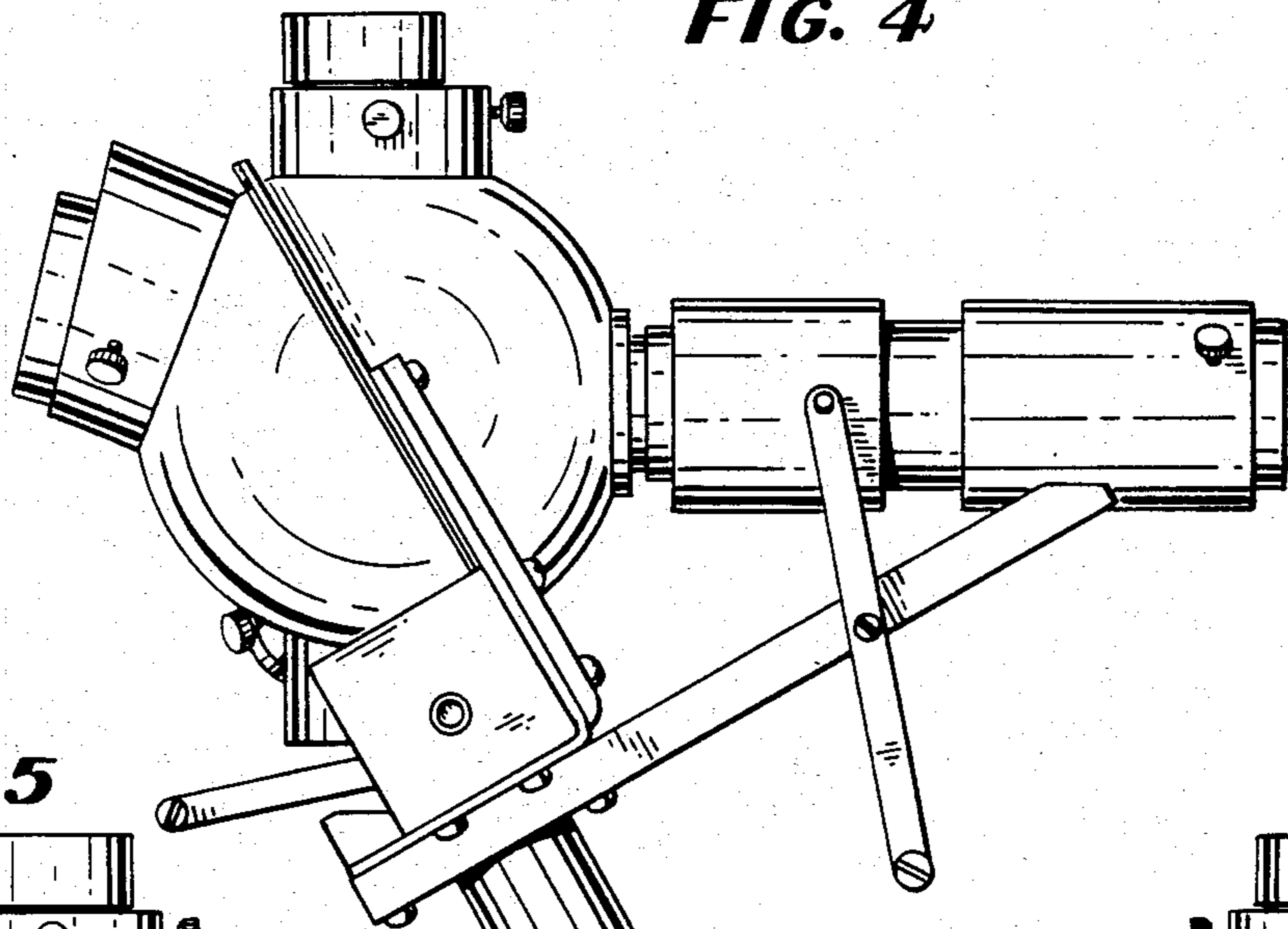


FIG. 5

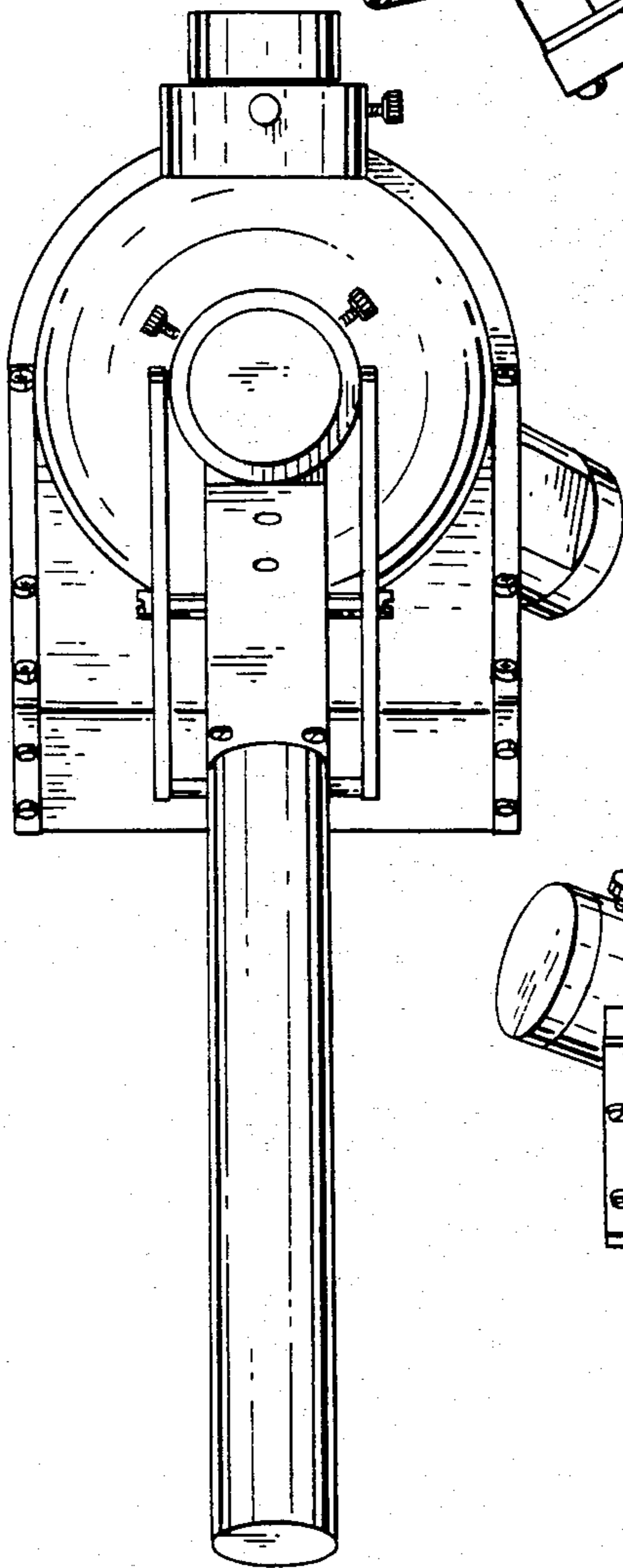


FIG. 6

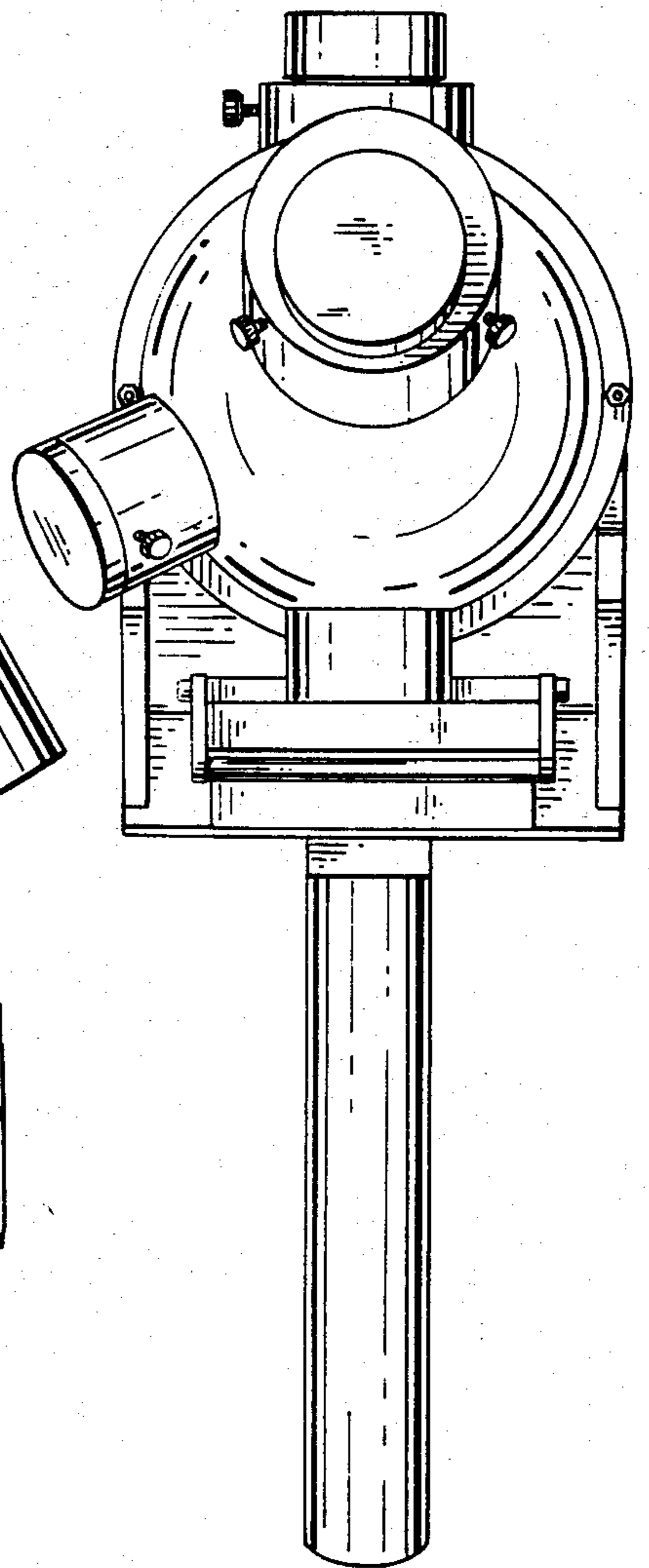


FIG. 7

