

- [54] BOTTLE BODY OR SIMILAR ARTICLE
- [76] Inventor: Charles M. Sherrill, Jr., 1001 W. 9th St., Weslaco, Tex. 78596
- [**] Term: 14 Years
- [21] Appl. No.: 407,598
- [22] Filed: Aug. 12, 1982
- [52] U.S. Cl. D9/395; D9/399; D9/407
- [58] Field of Search D9/434, 390, 394, 395, D9/399, 403, 407, 409; 215/1 R, 1 C

[56] References Cited

U.S. PATENT DOCUMENTS

- D. 98,899 3/1936 Werts D9/407
- D. 155,134 9/1949 Dykstra D9/407 X
- D. 163,453 5/1951 Fuerst D9/394

- D. 178,529 8/1956 Lorenzen D9/394
- D. 194,889 3/1963 Dubbs D9/394
- D. 263,795 4/1982 Pagels D9/399 X

Primary Examiner—Robert C. Spangler
Attorney, Agent, or Firm—Cushman, Darby & Cushman

[57] CLAIM

The ornamental design for a bottle body or similar article, as shown and described.

DESCRIPTION

FIG. 1 shows a front elevational view of a bottle body or similar article.

FIG. 2 is a sectional view of the bottle body taken on the line 2—2 of FIG. 1.

The left side, right side and back elevational views are identical to the shown elevational view.

The broken lines showing a bottle finish are for the purpose of illustrating environmental use only.

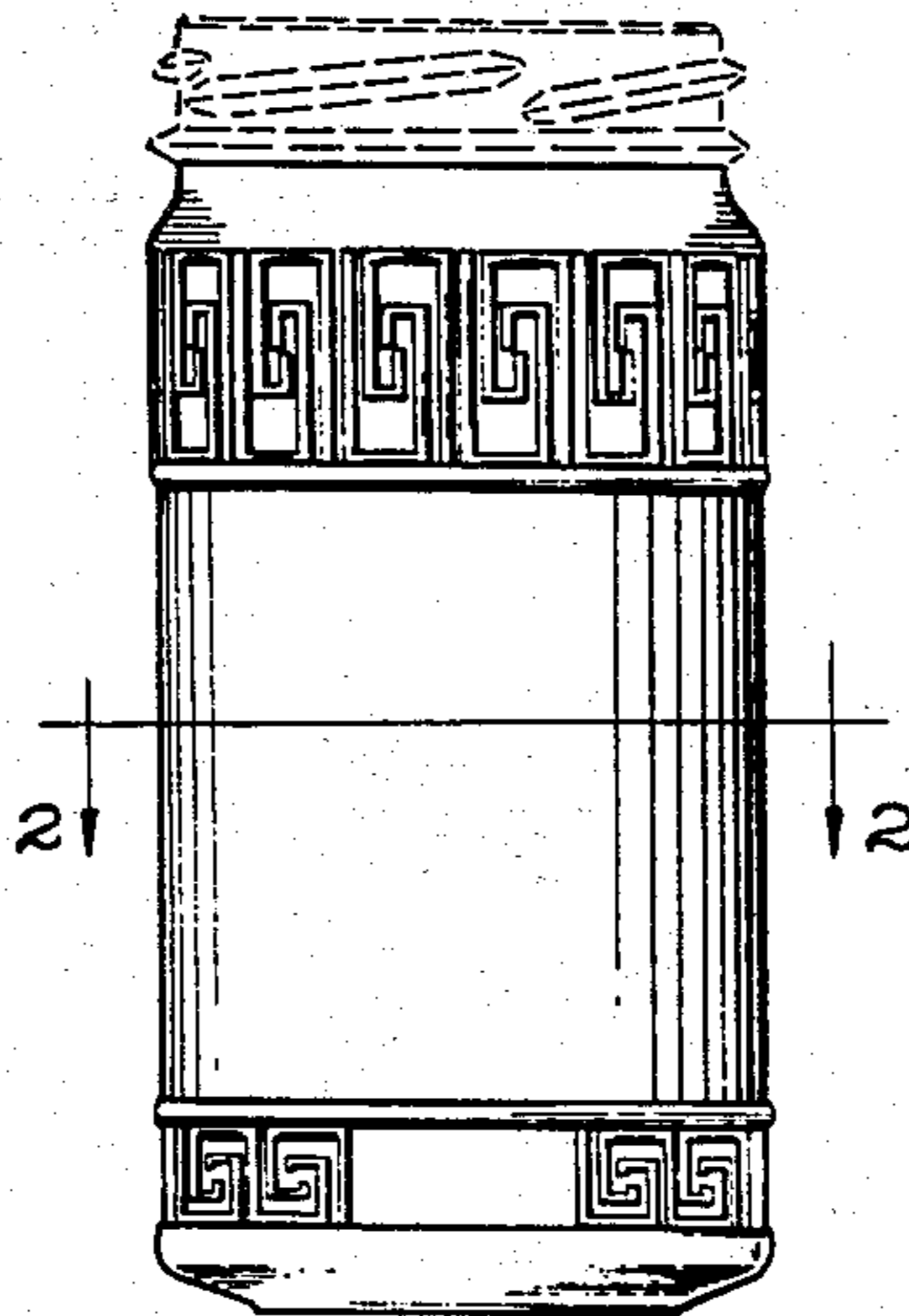


Fig. 1.

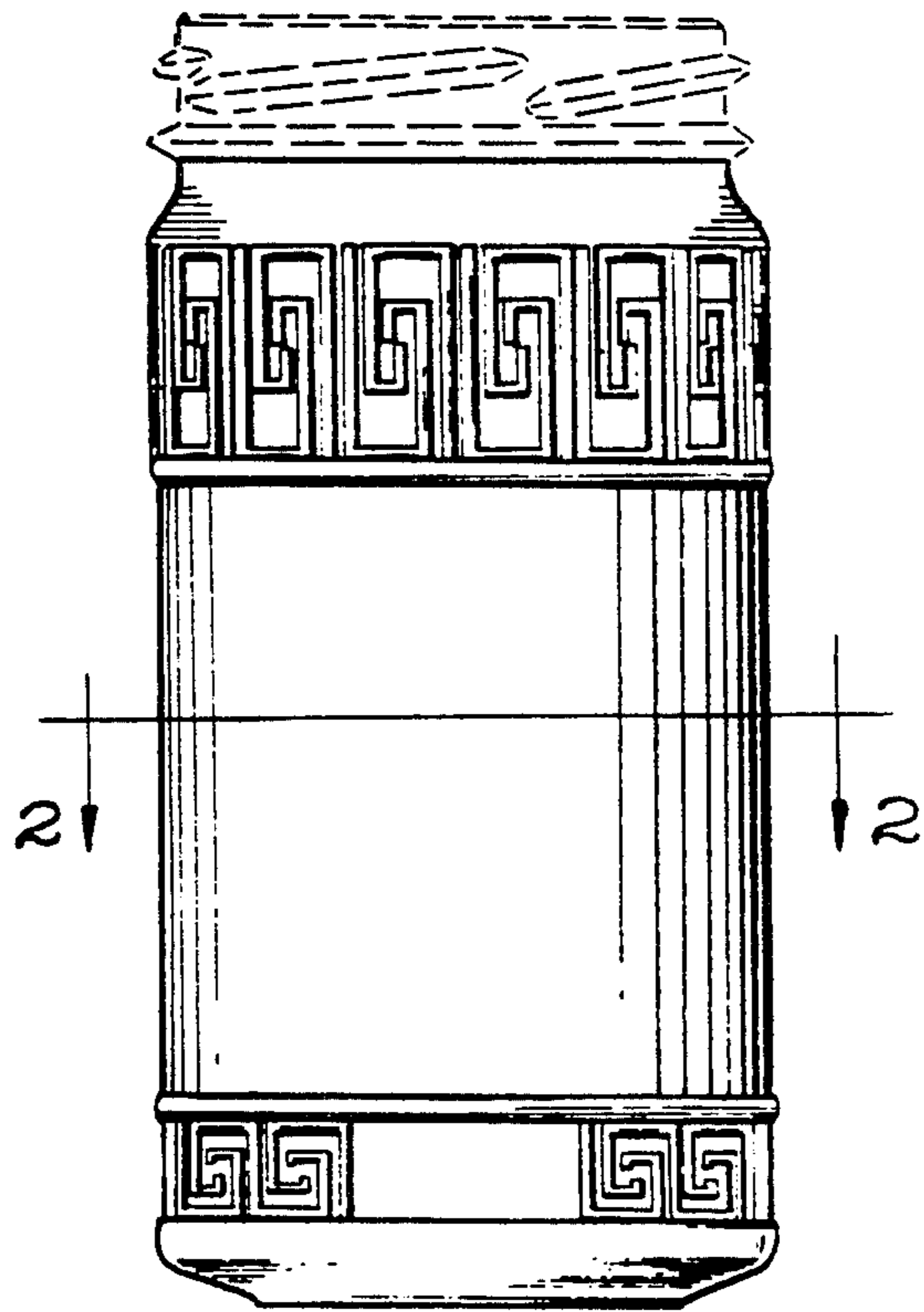


Fig. 2.

