

[54] COMBINED CONTAINER AND CLOSURE

[75] Inventor: Bruce A. Freeman, Oklahoma City, Okla.

[73] Assignee: Carlisle Corporation, having a division Continental Carlisle, Oklahoma City, Okla.

[\*\*] Term: 14 Years

[21] Appl. No.: 455,108

[22] Filed: Jan. 3, 1983

[52] U.S. Cl. .... D9/352; D9/446; D9/450

[58] Field of Search ..... 215/201, 223, 224, 225; D9/446, 450, 453, 454, 352; 220/306

[56] References Cited

U.S. PATENT DOCUMENTS

D. 248,217	6/1978	Allen et al. ....	D9/453 X
3,469,725	9/1969	Turner .....	D9/446 X
3,581,925	6/1971	Thornton .....	215/225
3,828,961	8/1974	Lewis .....	215/223
3,848,780	11/1974	Stull .....	215/223 X
3,863,797	2/1975	Berghahn .....	215/225
3,966,082	6/1976	Hopkins .....	220/306
4,385,706	5/1983	Freeman .....	215/223 X

OTHER PUBLICATIONS

Packaging in plastics, p. 8, Vials in lower left and lower right corners.

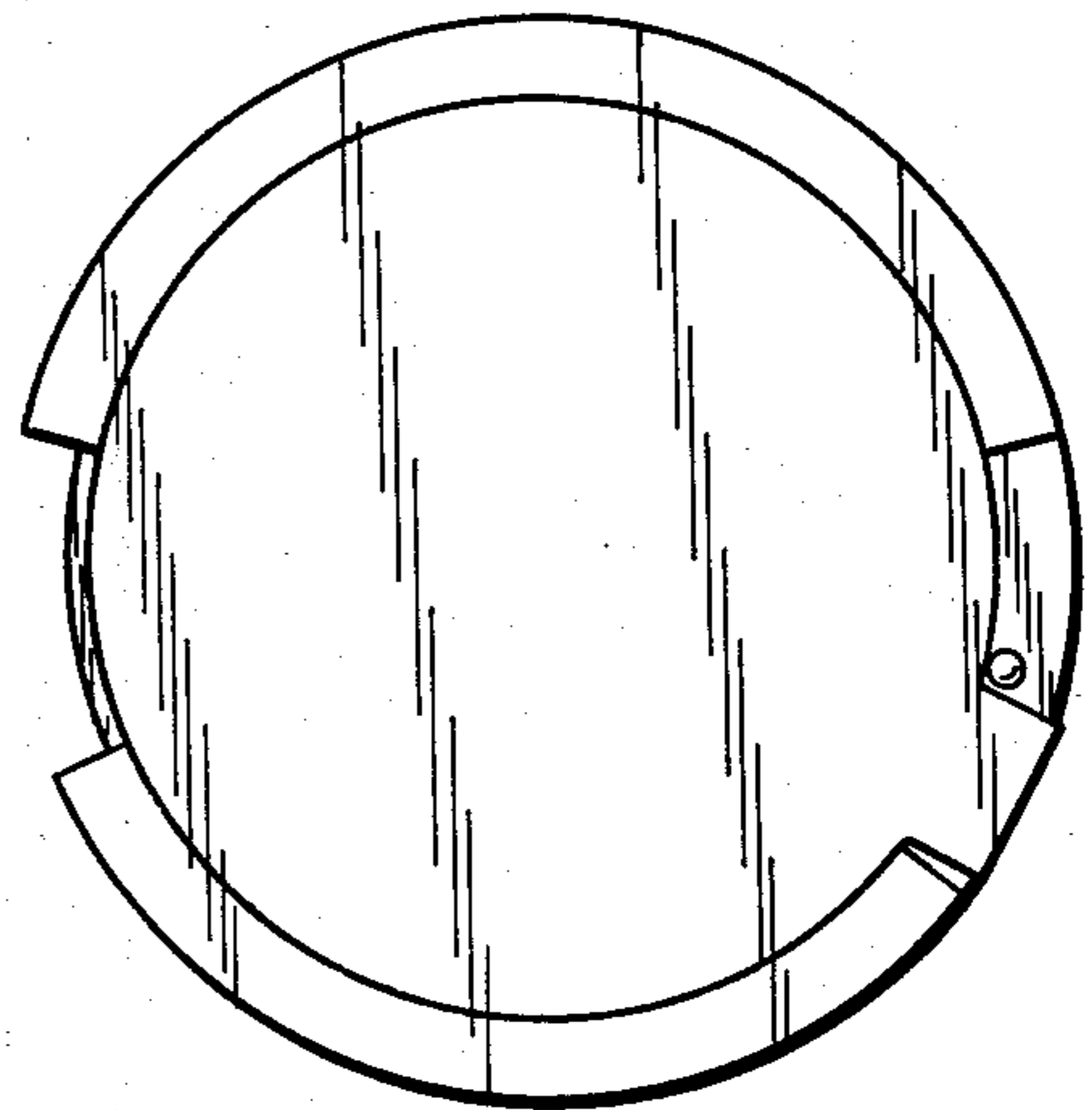
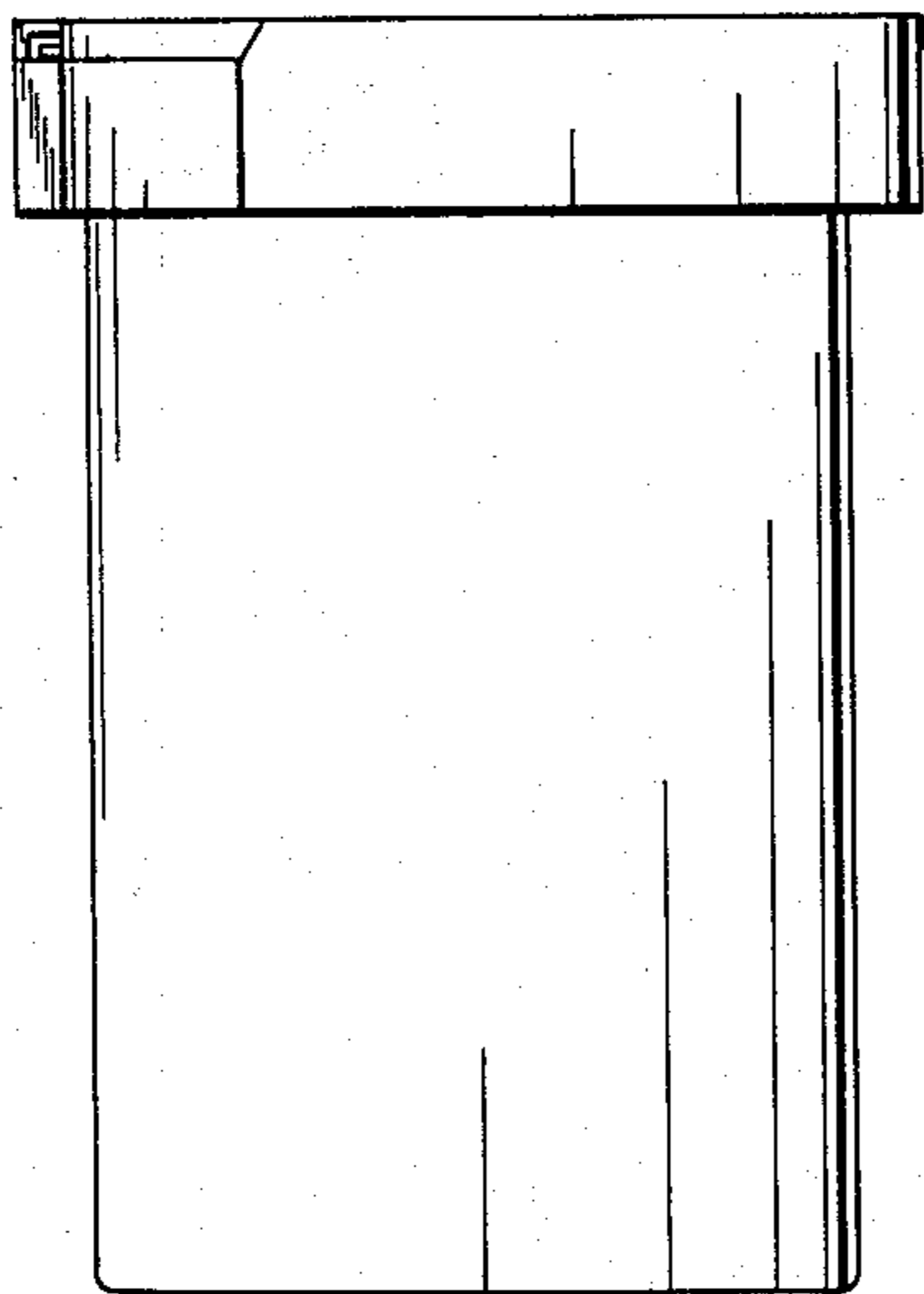
Primary Examiner—Robert C. Spangler  
Attorney, Agent, or Firm—William R. Laney

[57] CLAIM

The ornamental design for a combined container and closure, substantially as shown and described.

DESCRIPTION

FIG. 1 is a side elevational view of a combined container and closure showing my new design;  
 FIG. 2 is a side view rotated 45° from the view of FIG. 1;  
 FIG. 3 is another side view rotated 90° from the view of FIG. 1;  
 FIG. 4 is a view rotated 180° from the view of FIG. 1;  
 FIG. 5 is a top plan view;  
 FIG. 6 is a bottom plan view;  
 FIG. 7 is a view similar to FIG. 1 but showing a modified form of my new design;  
 FIG. 8 is a view similar to FIG. 2 but showing the modified form;  
 FIG. 9 is a view similar to FIG. 3 but showing the modified form;  
 FIG. 10 is a view similar to FIG. 4 but showing the modified form;  
 FIG. 11 is a view similar to FIG. 5 but showing the modified form; and  
 FIG. 12 is a view similar to FIG. 6 but showing the modified form.



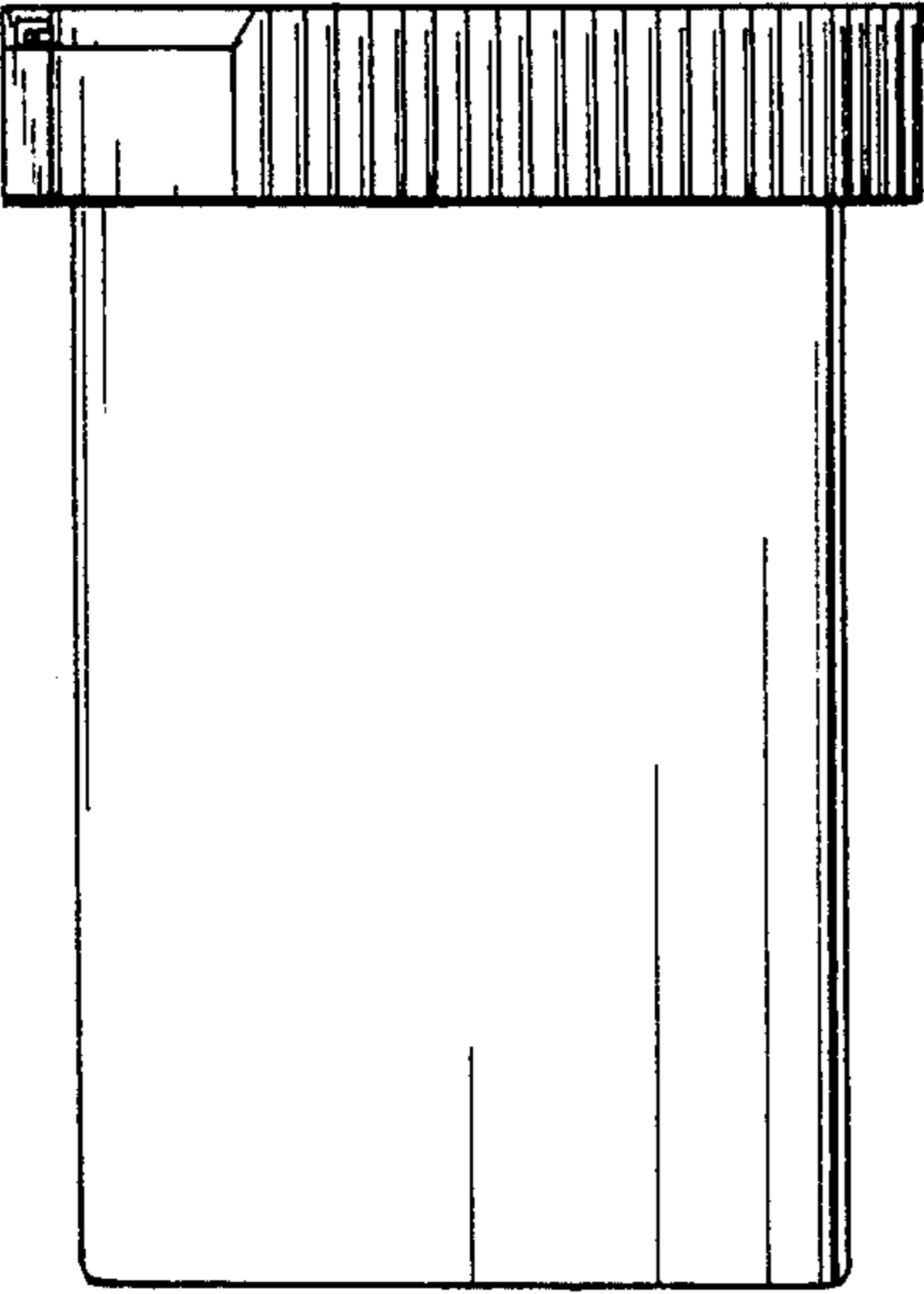


FIG. 1

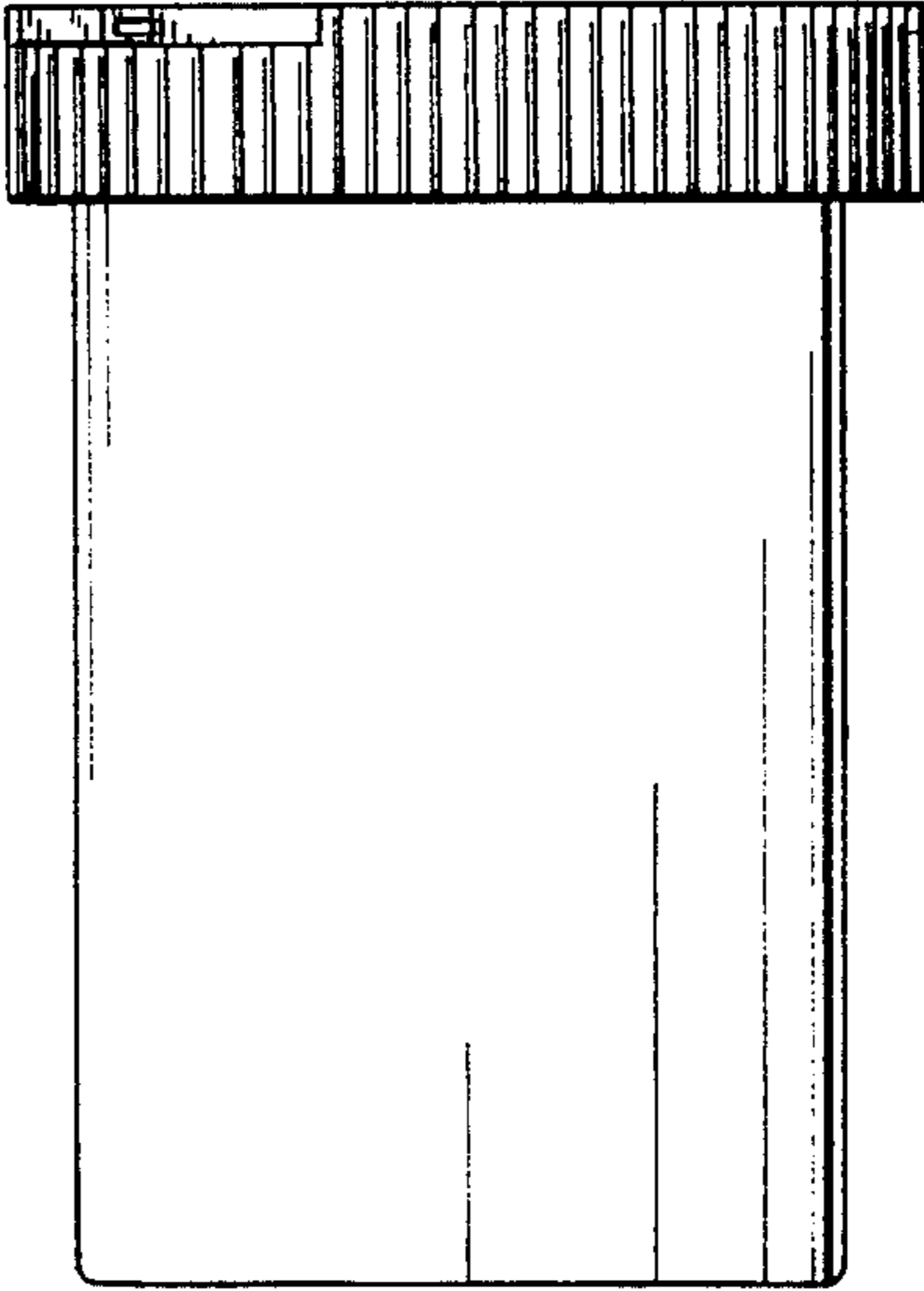


FIG. 2

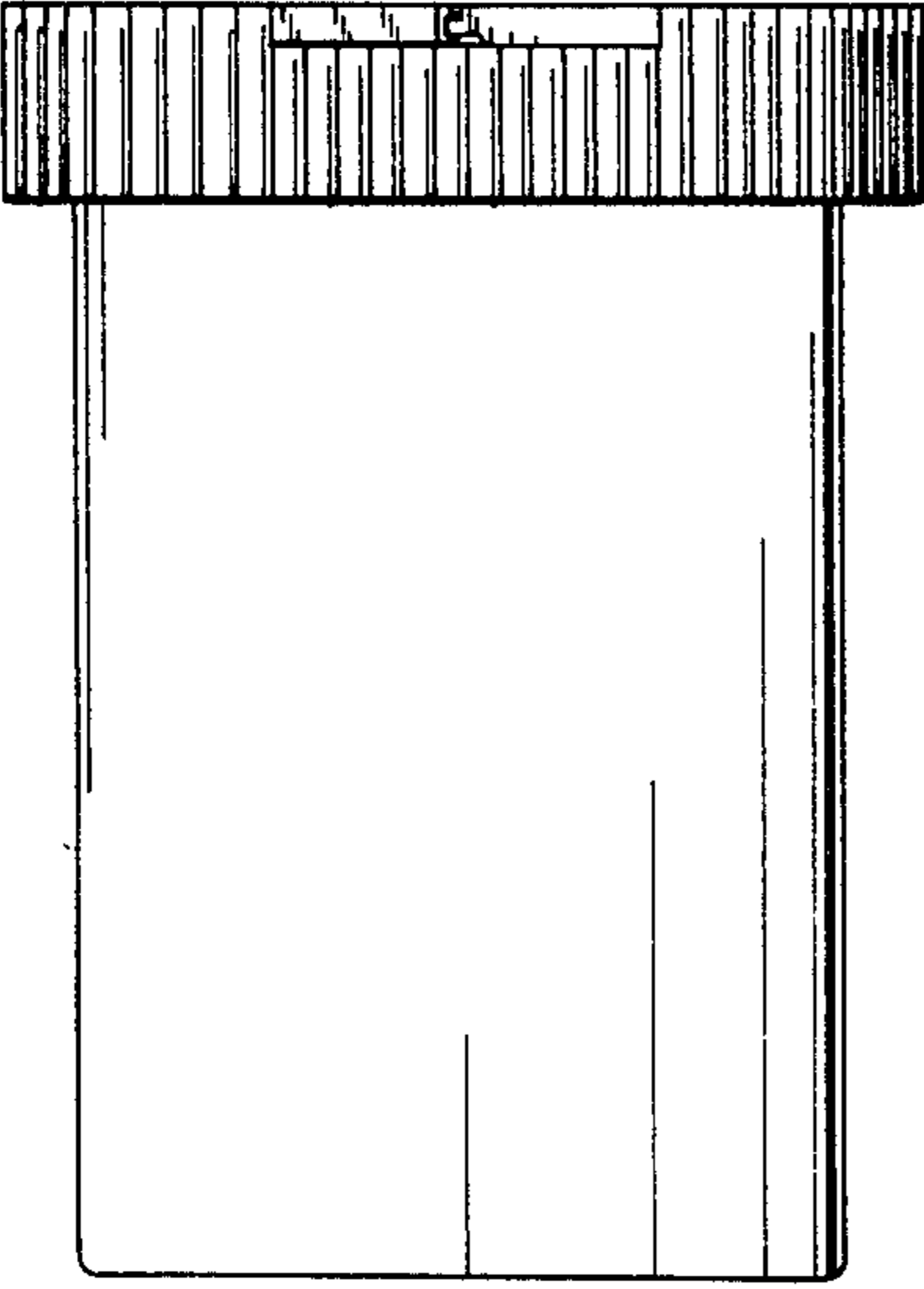


FIG. 3

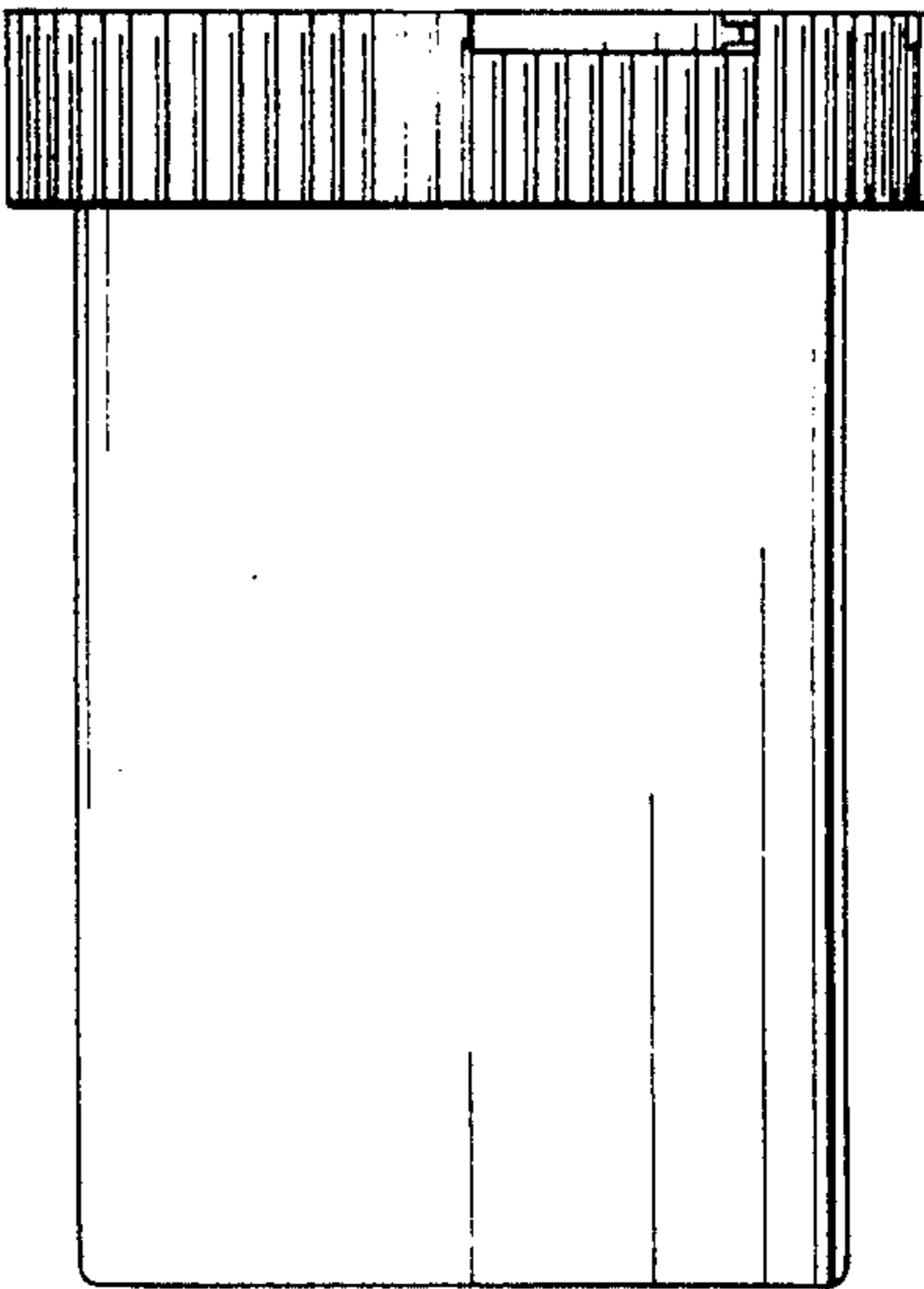


FIG. 4

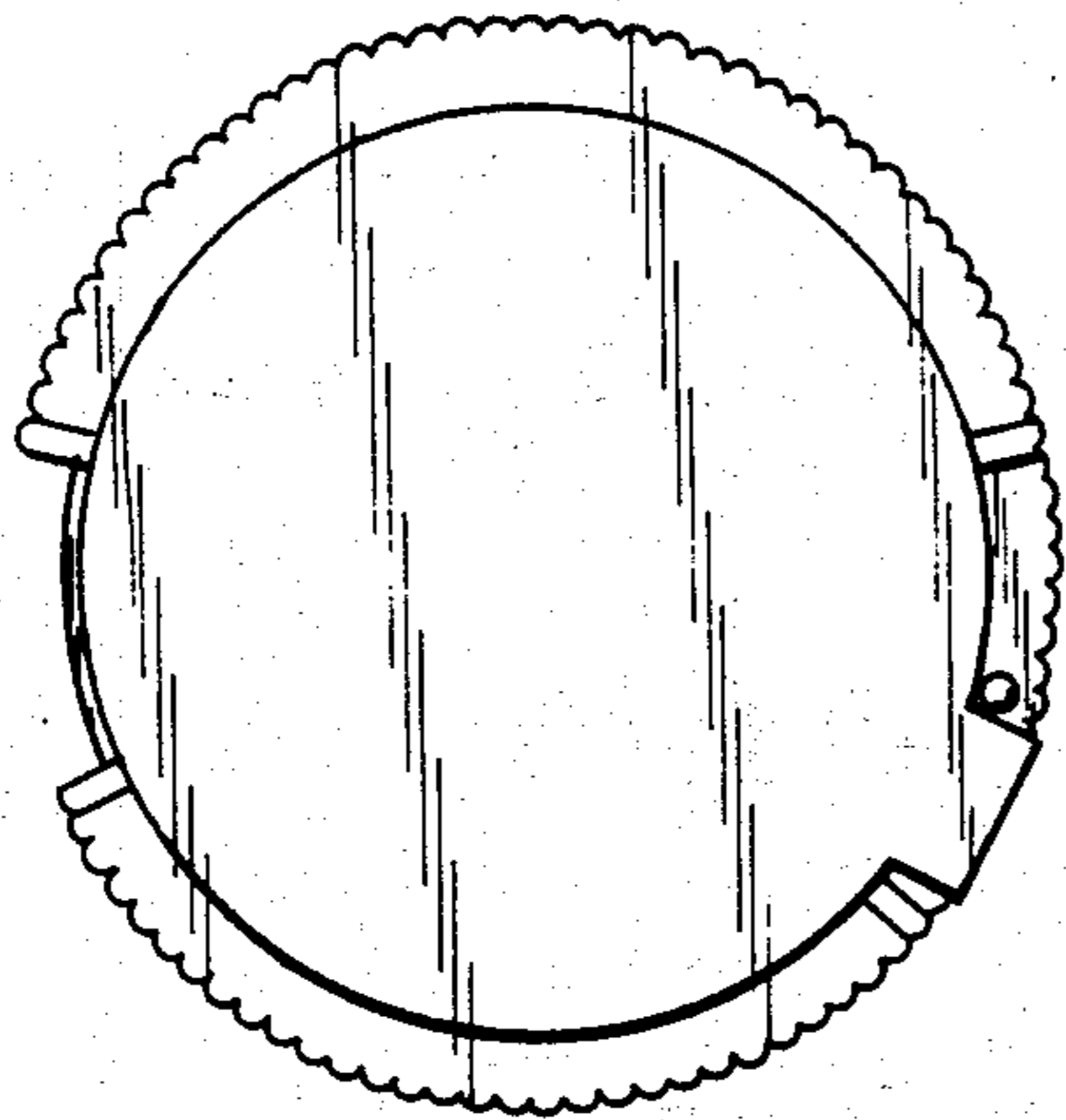


FIG. 5

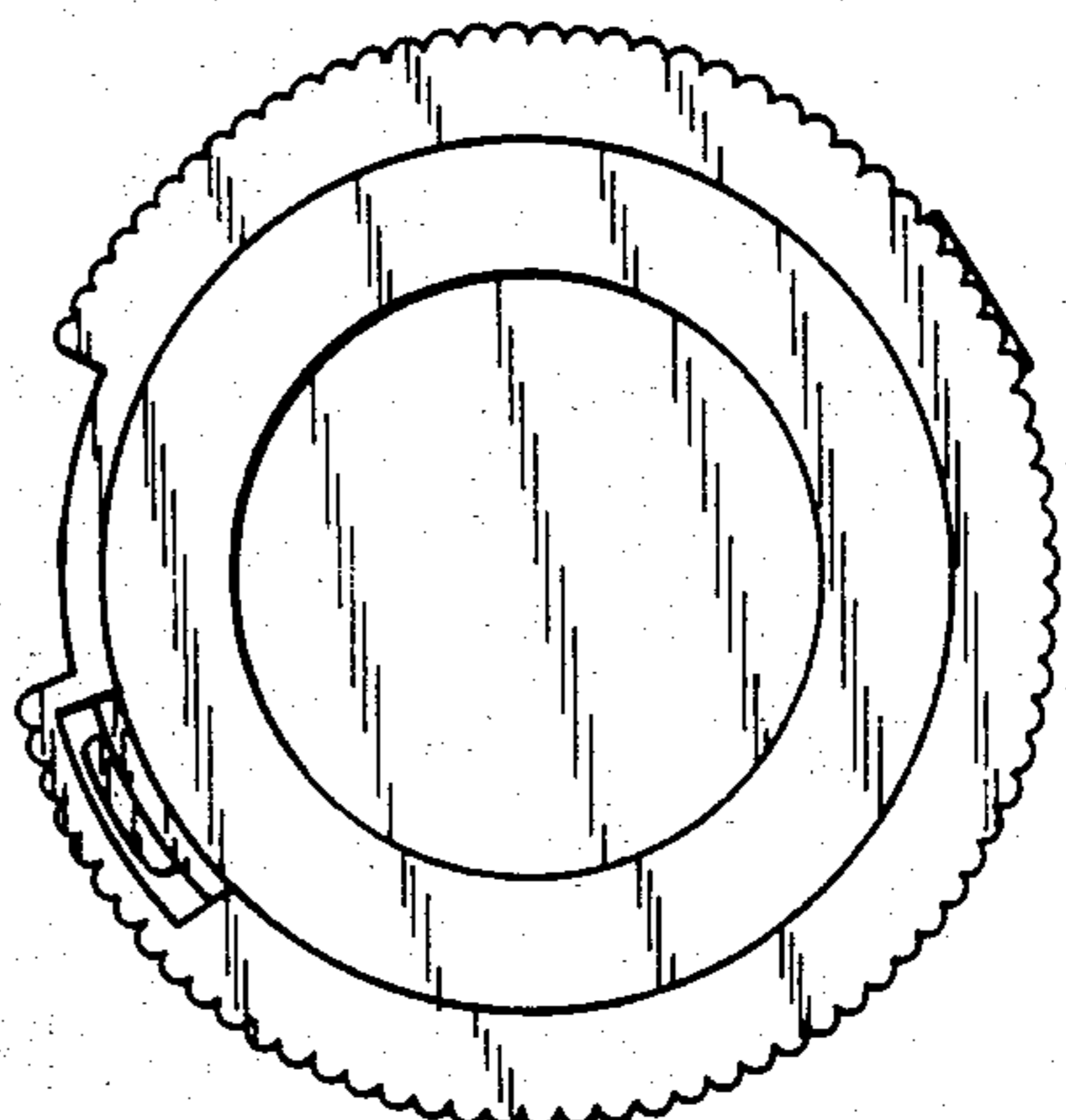


FIG. 6

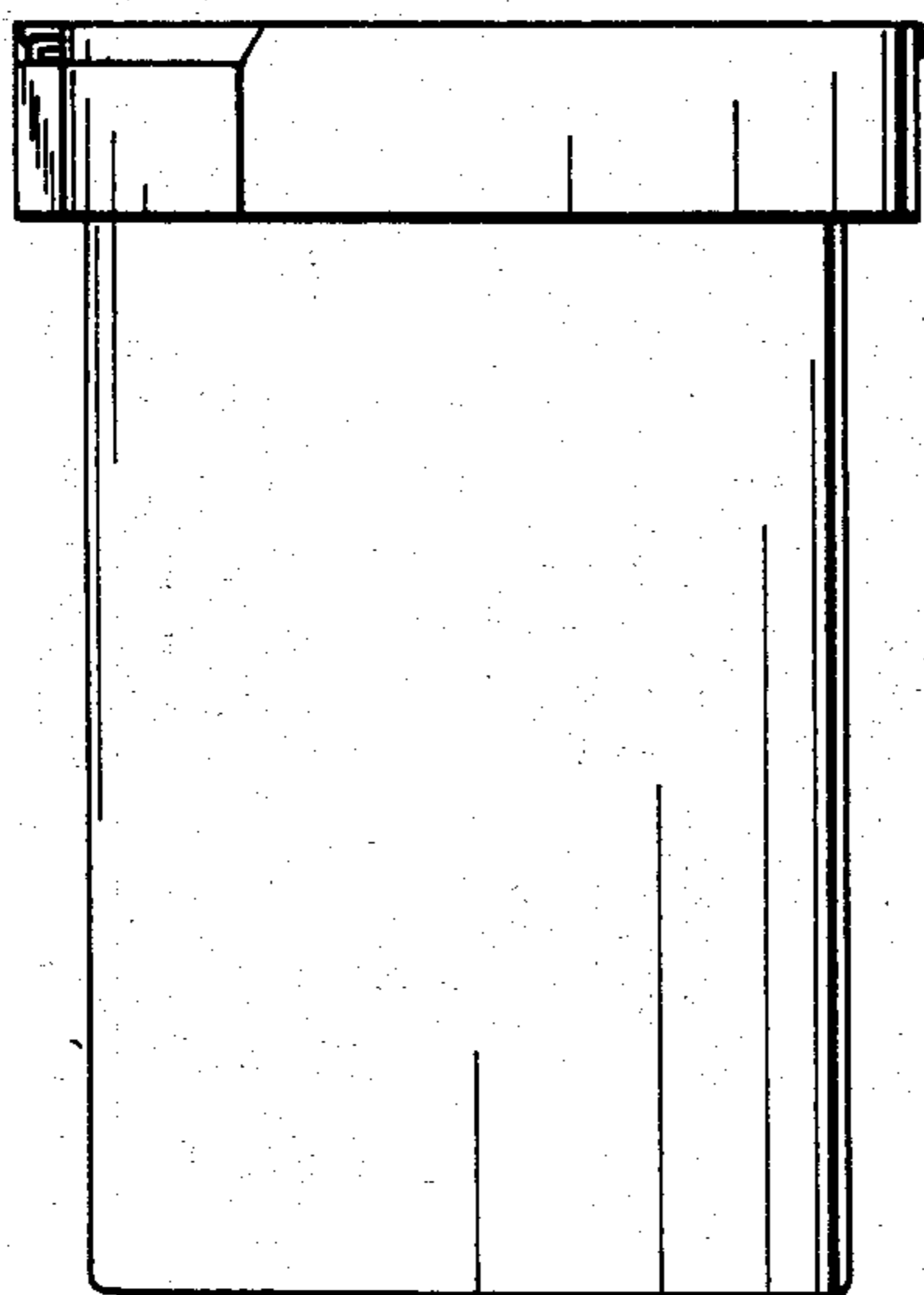


FIG. 7

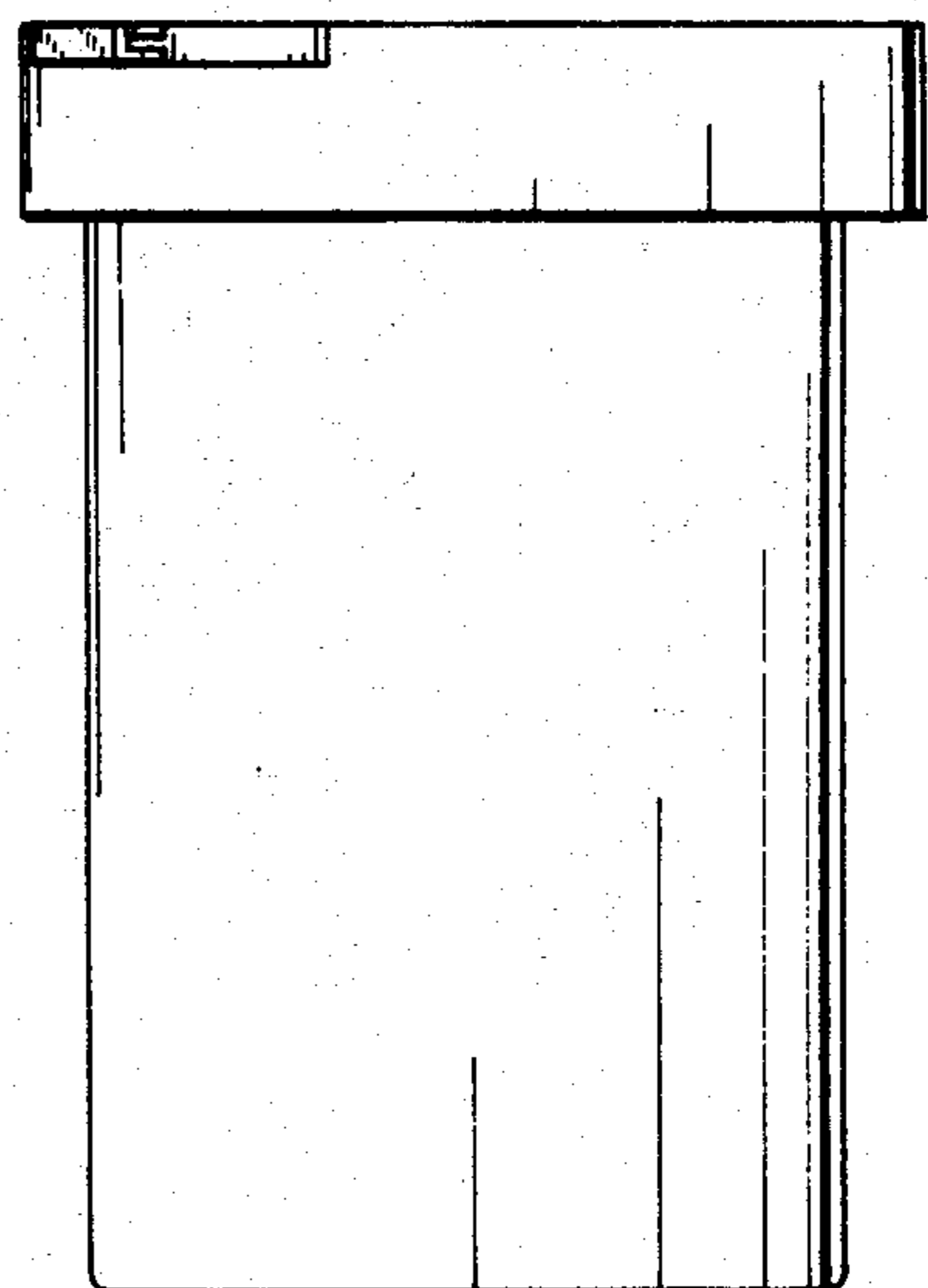


FIG. 8

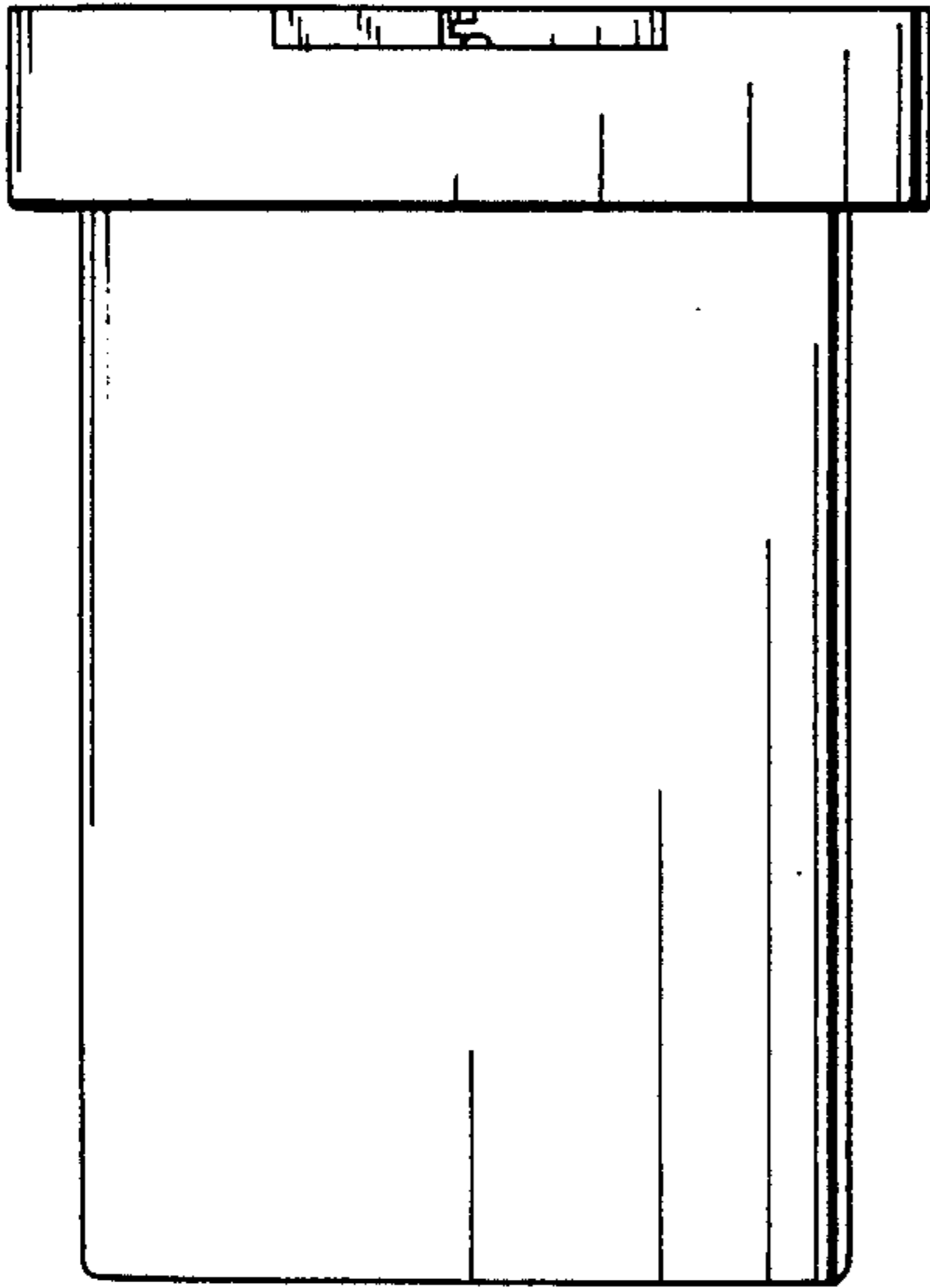


FIG. 9

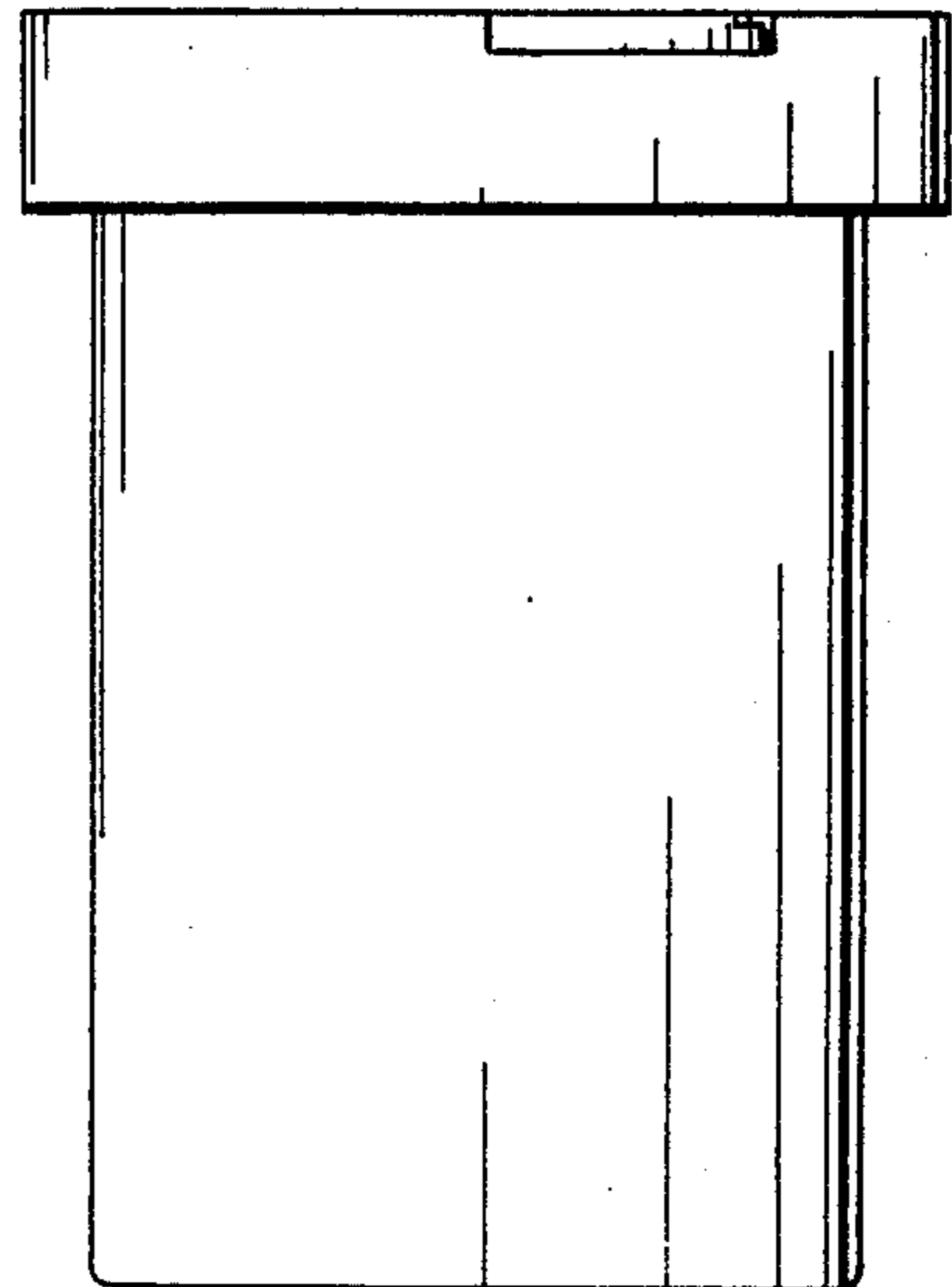


FIG. 10

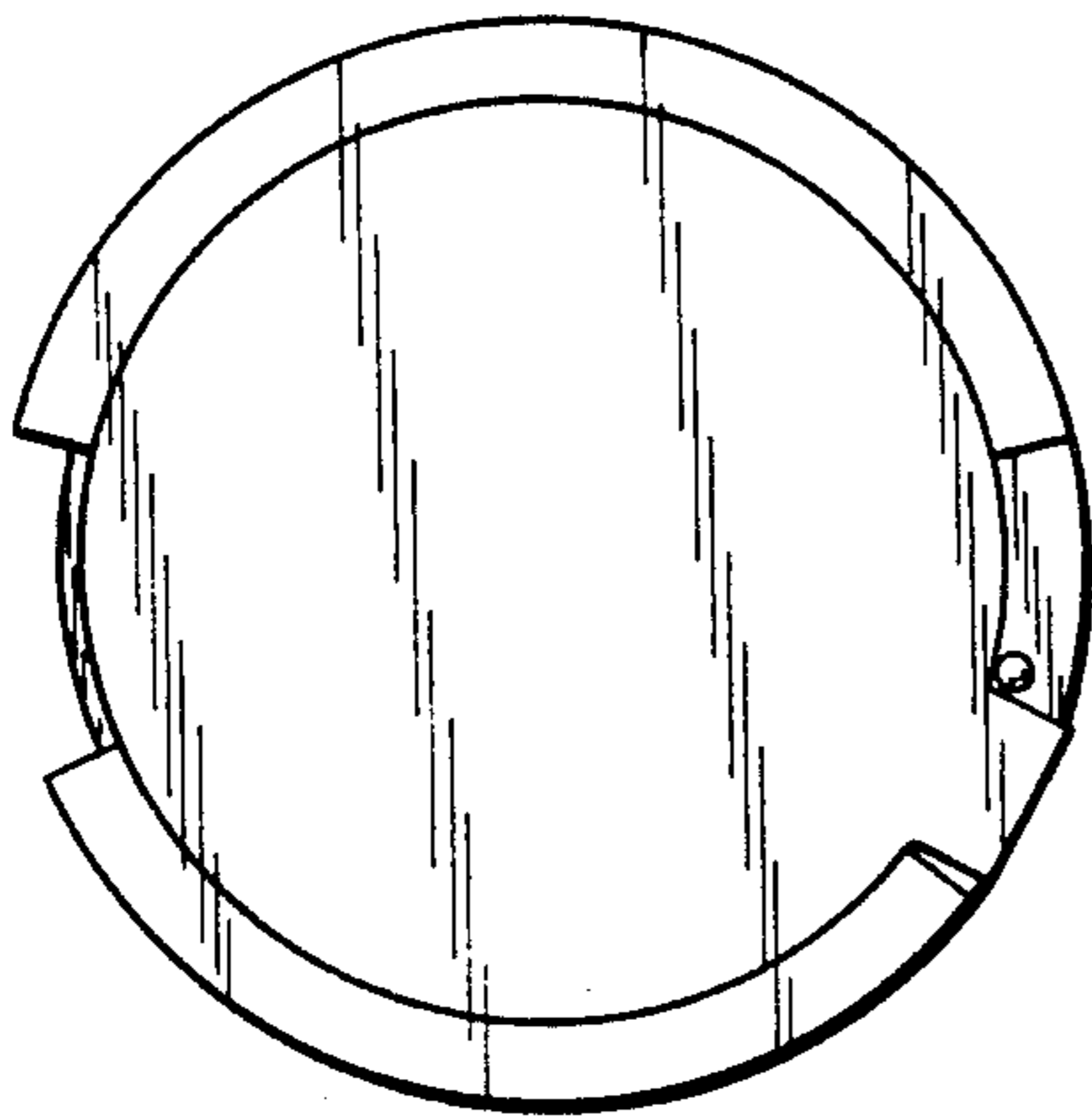


FIG. 11

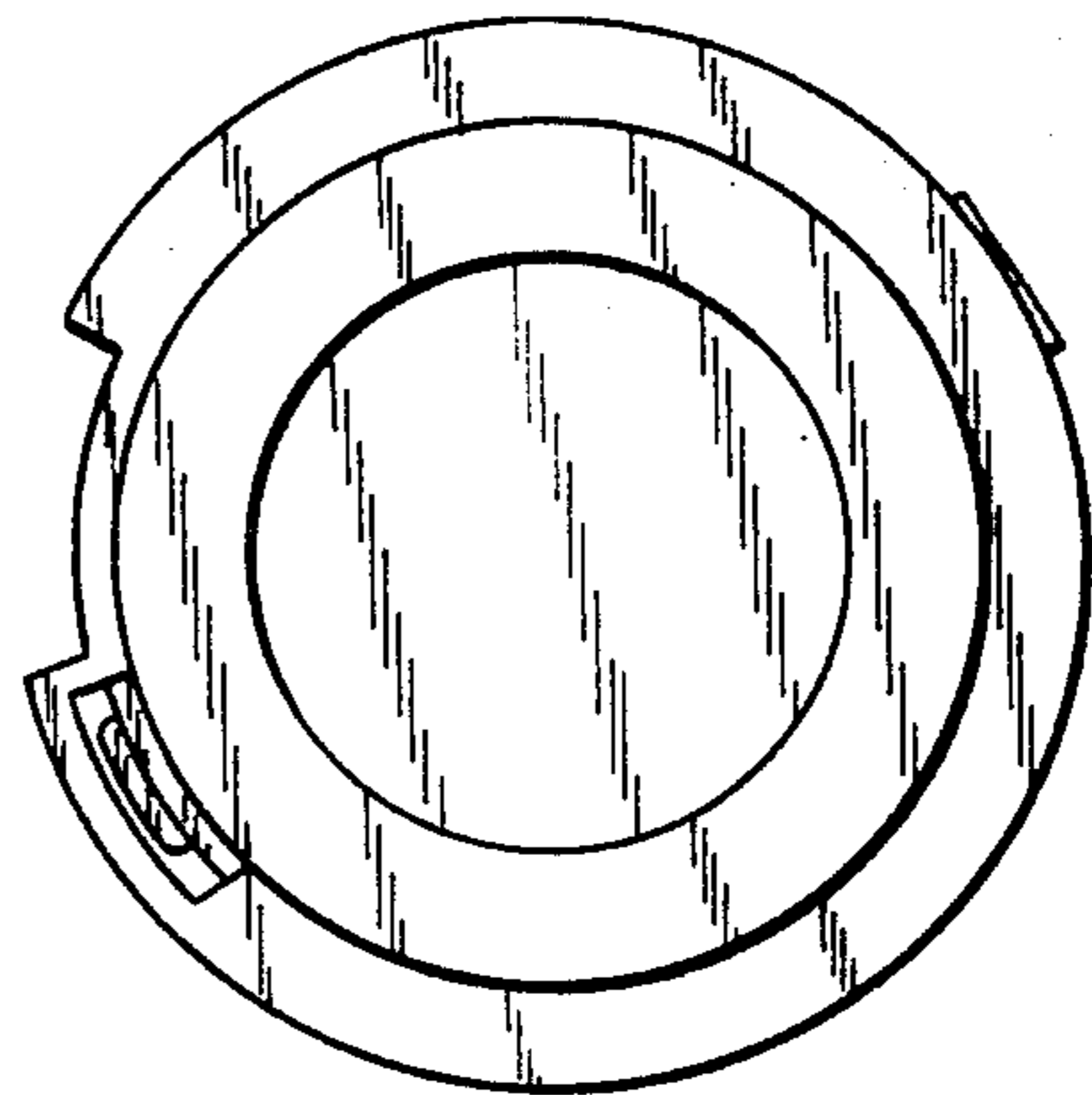


FIG. 12