

- [54] **CARTON OF EGGS**
- [75] **Inventor: Roland H. DeMay, Newark, N.Y.**
- [73] **Assignee: Mobil Oil Corporation, New York, N.Y.**
- [\*\*] **Term: 14 Years**
- [21] **Appl. No.: 474,950**
- [22] **Filed: Mar. 14, 1983**
- [52] **U.S. Cl. .... D9/337; D9/341**
- [58] **Field of Search ..... D9/337, 341, 345, 424, D9/426, 431, 432; 229/44 EC, 45 EC, 25 EC; 206/45.33**

- 4,335,813 6/1982 Bessett et al. .... 229/44 EC X
- 4,352,427 10/1982 Lake ..... 229/44 EC X

*Primary Examiner*—Robert C. Spangler  
*Attorney, Agent, or Firm*—Alexander J. McKillop;  
Michael G. Gilman; Charles A. Malone

[57] **CLAIM**

The ornamental design for a carton of eggs, as shown and described.

**DESCRIPTION**

FIG. 1 is a perspective view of a carton of eggs showing my new design;  
FIG. 2 is a side elevational view;  
FIG. 3 is an end elevational view on an enlarged scale;  
FIG. 4 is a bottom plan view on the scale of FIG. 3;  
FIG. 5 is a top plan view on the scale of FIG. 2 with the side flaps opened and the eggs and plastic wrapper removed; and  
FIG. 6 is a sectional view on the scale of FIG. 3 taken on the line 6—6 of FIG. 5.

- [56] **References Cited**  
**U.S. PATENT DOCUMENTS**  
D. 208,275 8/1967 Pearl et al. .... D9/341  
D. 224,518 8/1972 Pearl et al. .... D9/341  
3,563,446 2/1971 Lake et al. .... 229/45 EC X

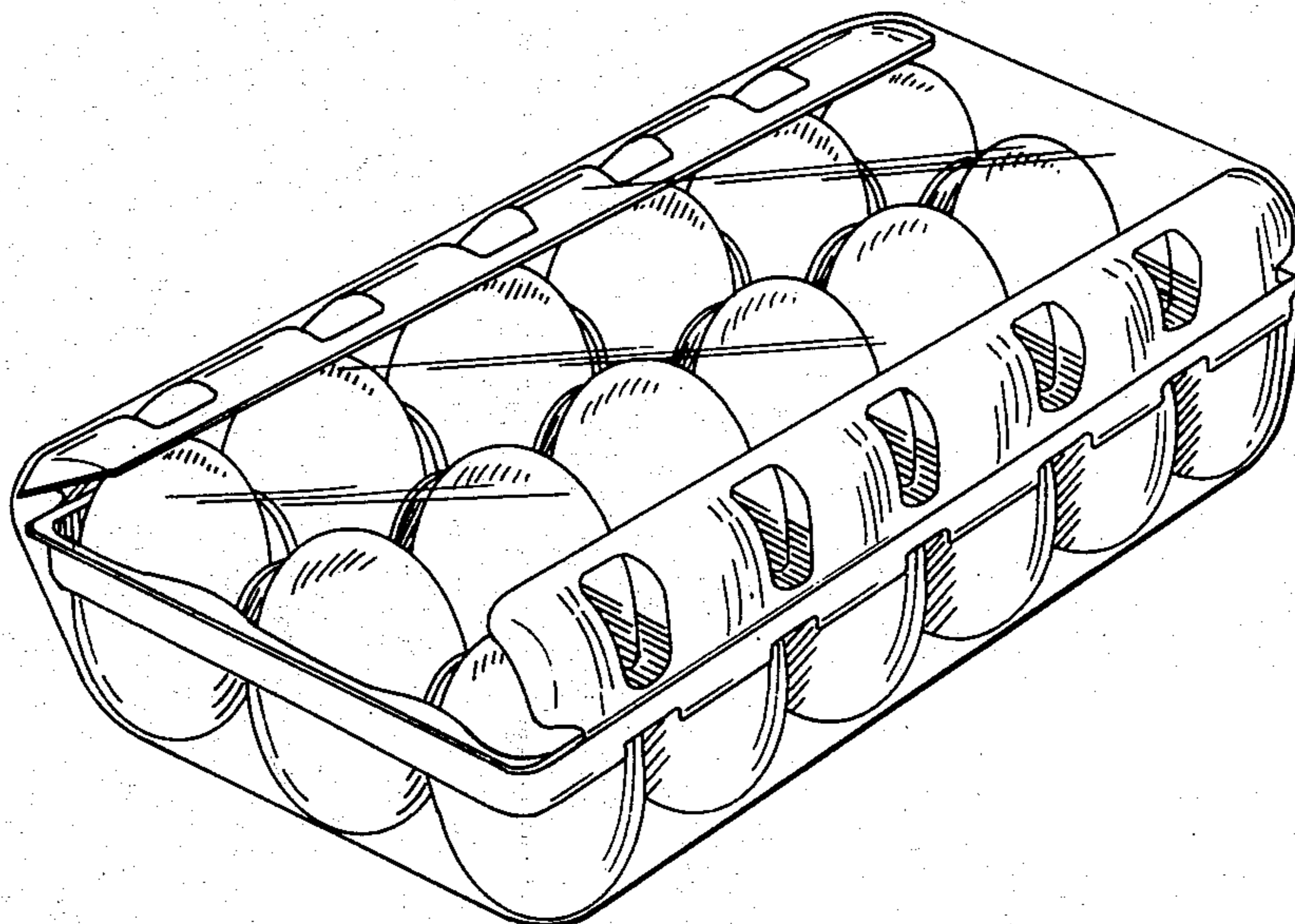


FIG. 1

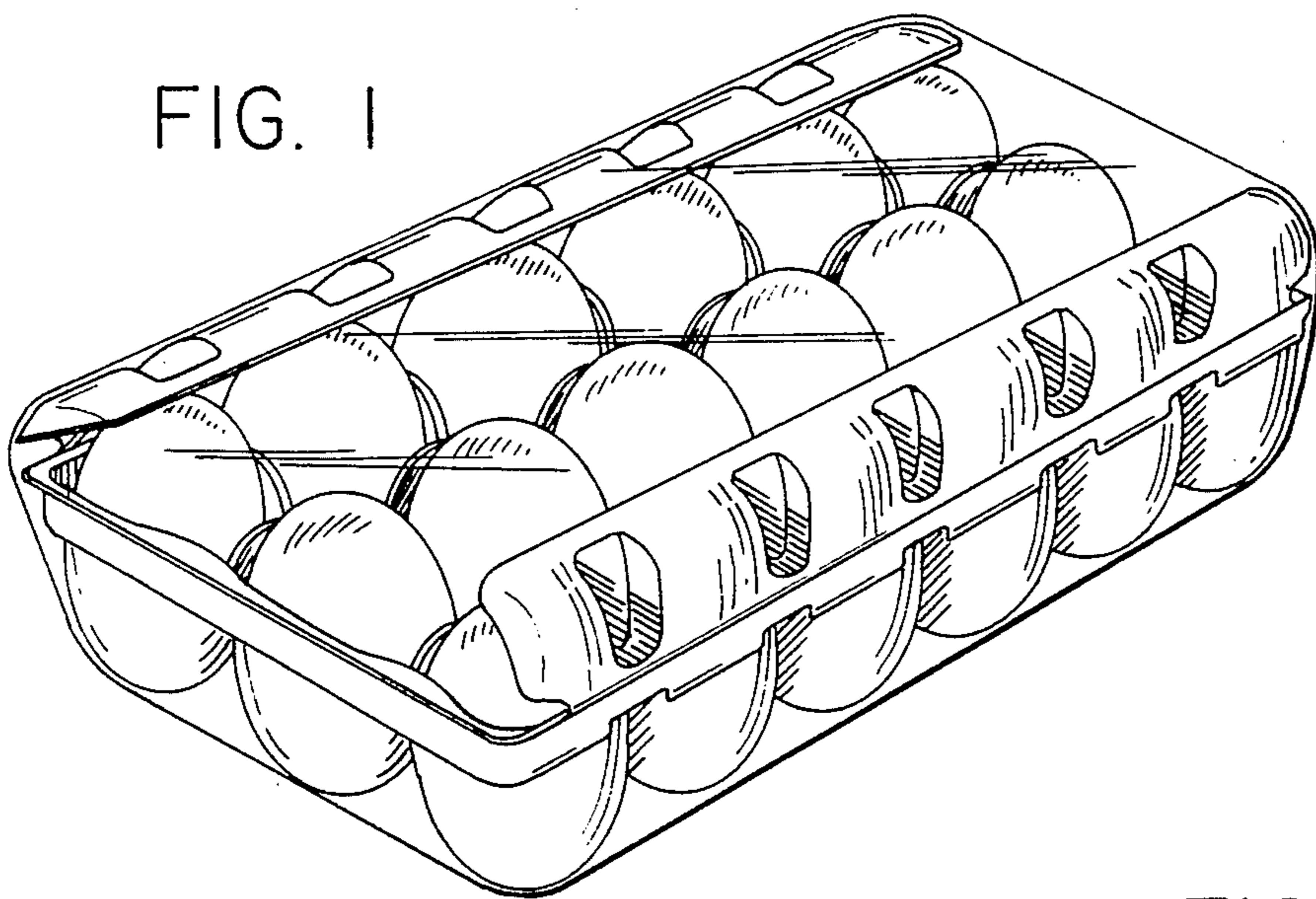


FIG. 2

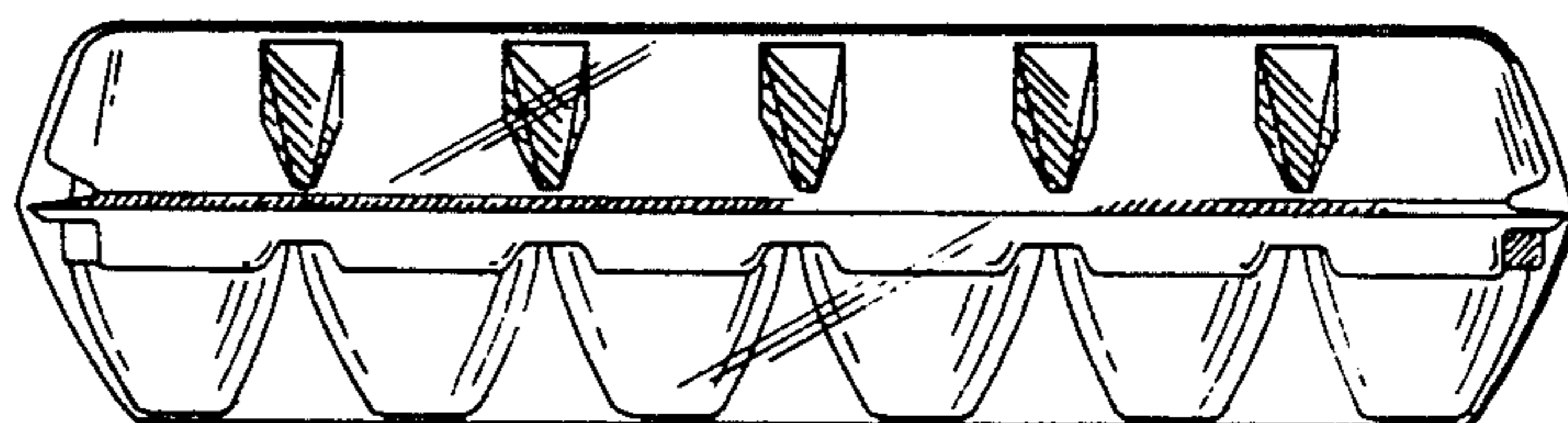


FIG. 5

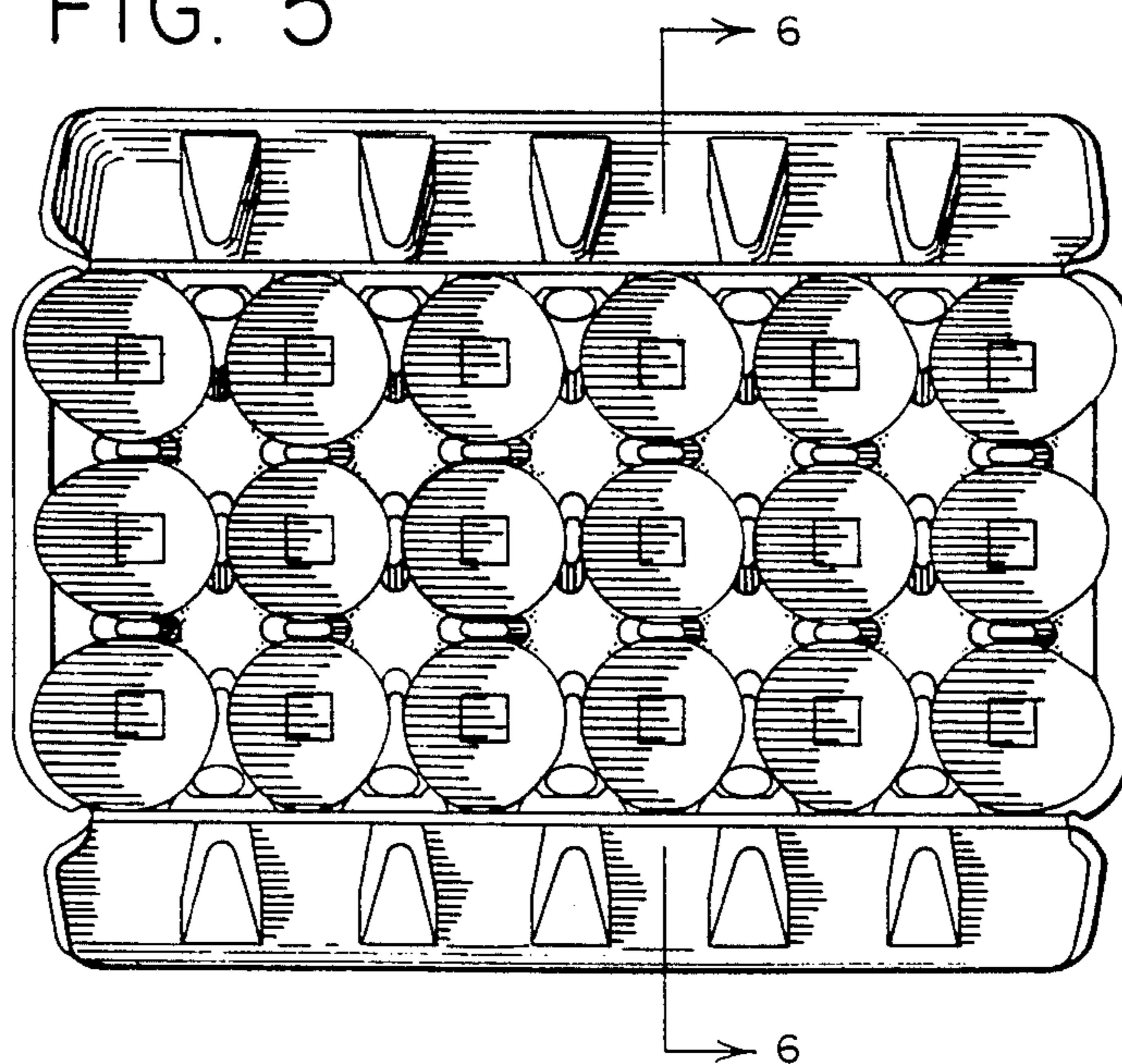


FIG. 3

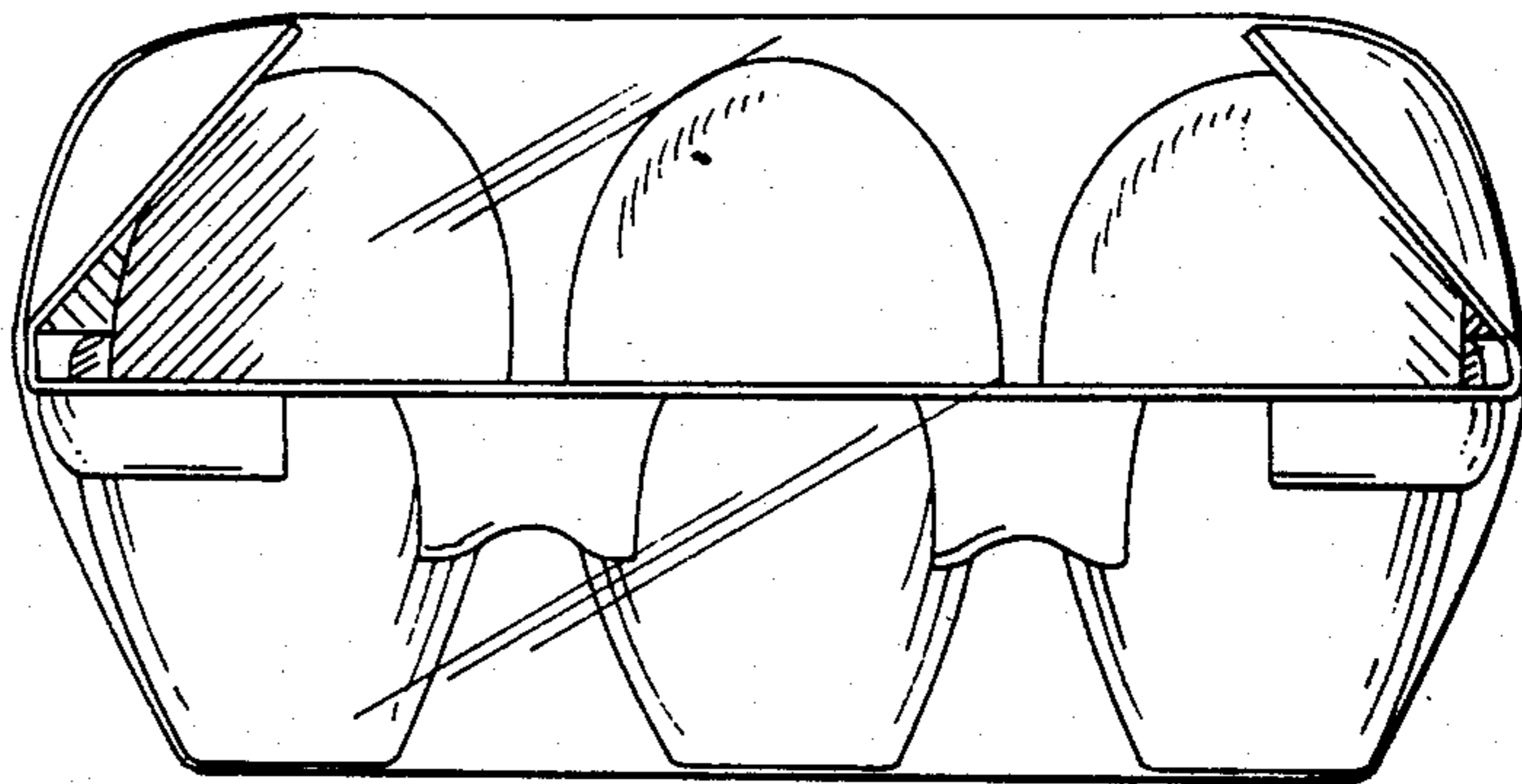


FIG. 6

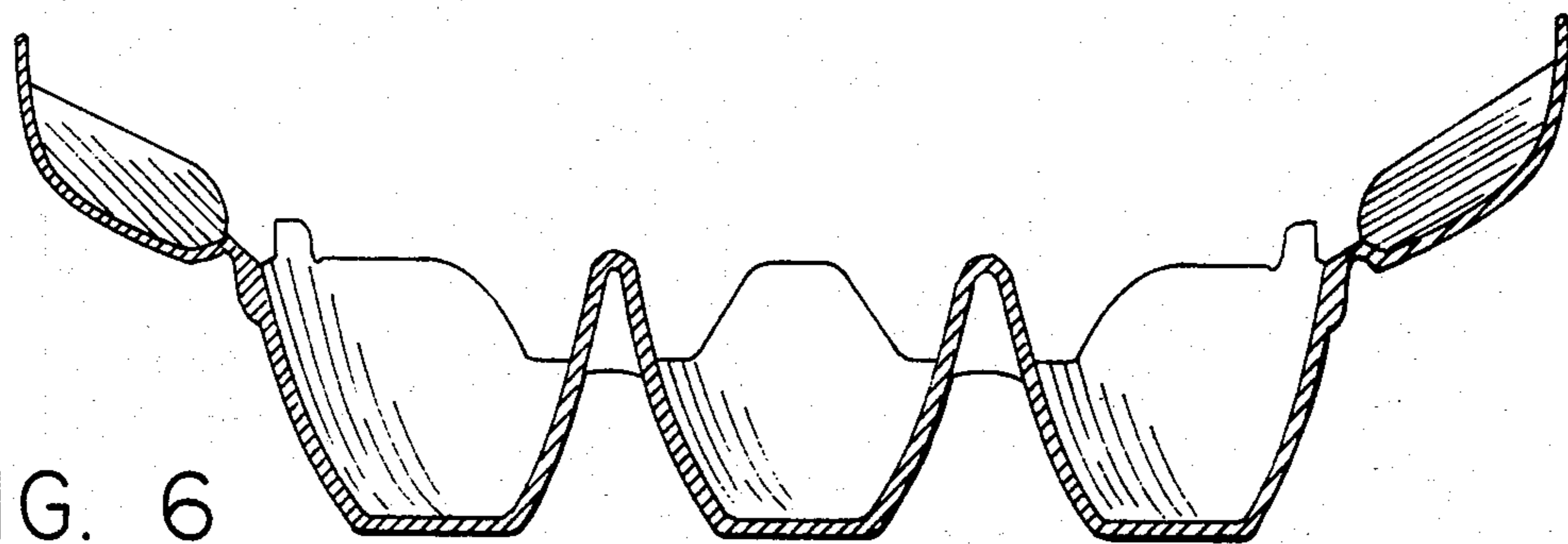


FIG. 4

