

[54] SNACK DISPENSER

[75] Inventor: Iwan B. Jensen, Solrod Strand, Denmark

[73] Assignee: Stig Ravn A/S, Farum, Denmark

[**] Term: 14 Years

[21] Appl. No.: 433,025

[22] Filed: Oct. 5, 1982

[30] Foreign Application Priority Data

Apr. 7, 1982 [DK] Denmark 315/82

[52] U.S. Cl. D7/76

[58] Field of Search D7/76, 301; D20/7, 3; 194/63; 221/265, 266; 222/362

[56] References Cited

U.S. PATENT DOCUMENTS

42,175 2/1912 Millard D20/7
D. 112,039 11/1938 Crosby D7/313

| | | | | |
|------------|---------|------------------|-------|-----------|
| D. 229,387 | 11/1973 | Gruber | | D7/308 |
| D. 243,648 | 3/1977 | Conroy | | D7/17 X |
| 1,189,954 | 7/1916 | Jacobs | | 222/185 |
| 1,321,382 | 11/1919 | Mason | | 222/185 |
| 3,810,535 | 5/1974 | Phipps | | 221/265 X |
| 3,937,314 | 2/1976 | Rosenberg et al. | | 194/63 |

Primary Examiner—Bernard Ansher
Assistant Examiner—Linda Titolo
Attorney, Agent, or Firm—Watson, Cole, Grindle & Watson

[57] CLAIM

The ornamental design for a snack dispenser, as shown and described.

DESCRIPTION

FIG. 1 is a front elevational view of a snack dispenser showing my new design;
FIG. 2 is a right side elevational view thereof;
FIG. 3 is a top plan view thereof;
FIG. 4 is a rear elevational view thereof; and
FIG. 5 is a bottom plan view thereof.

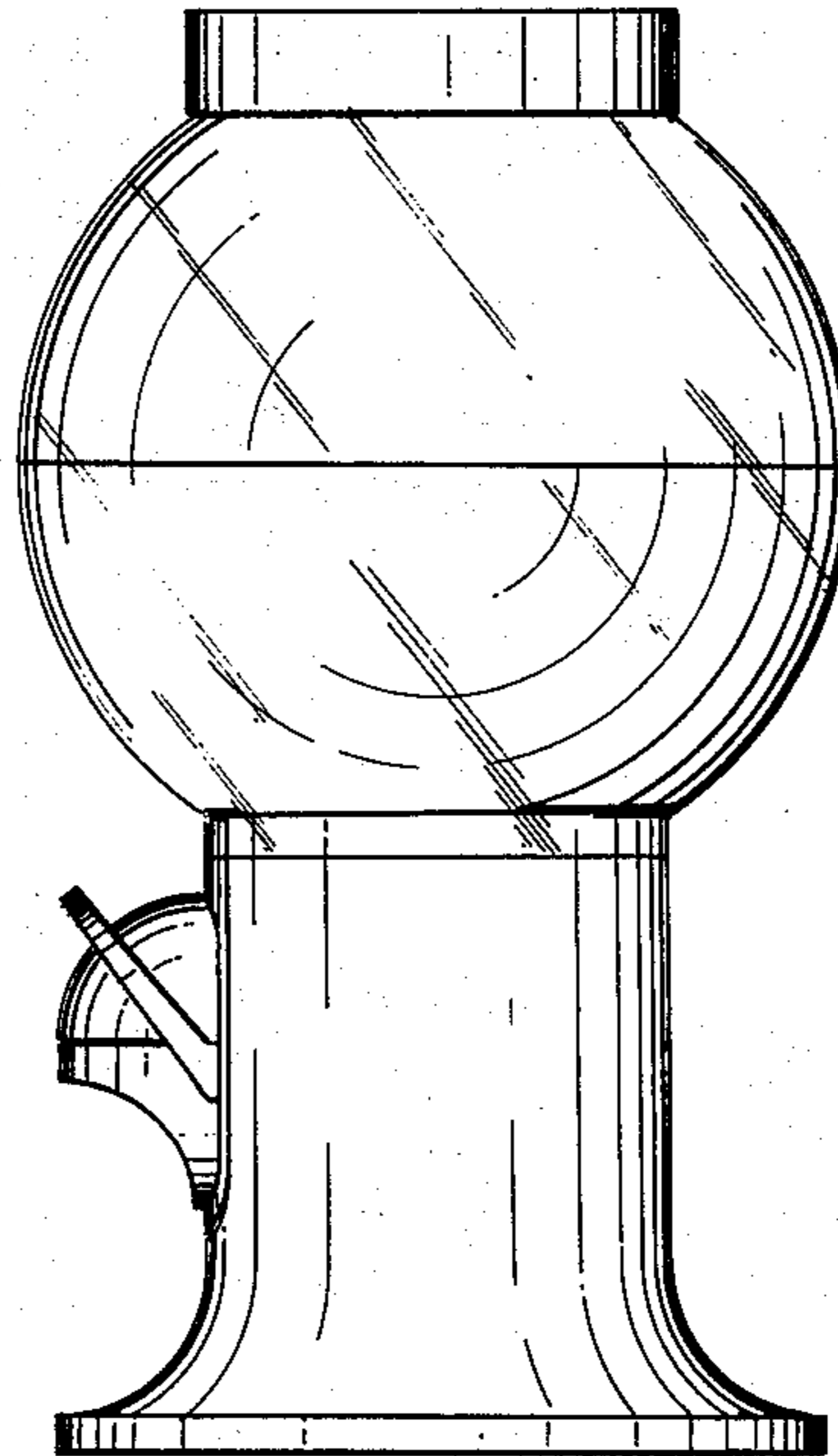
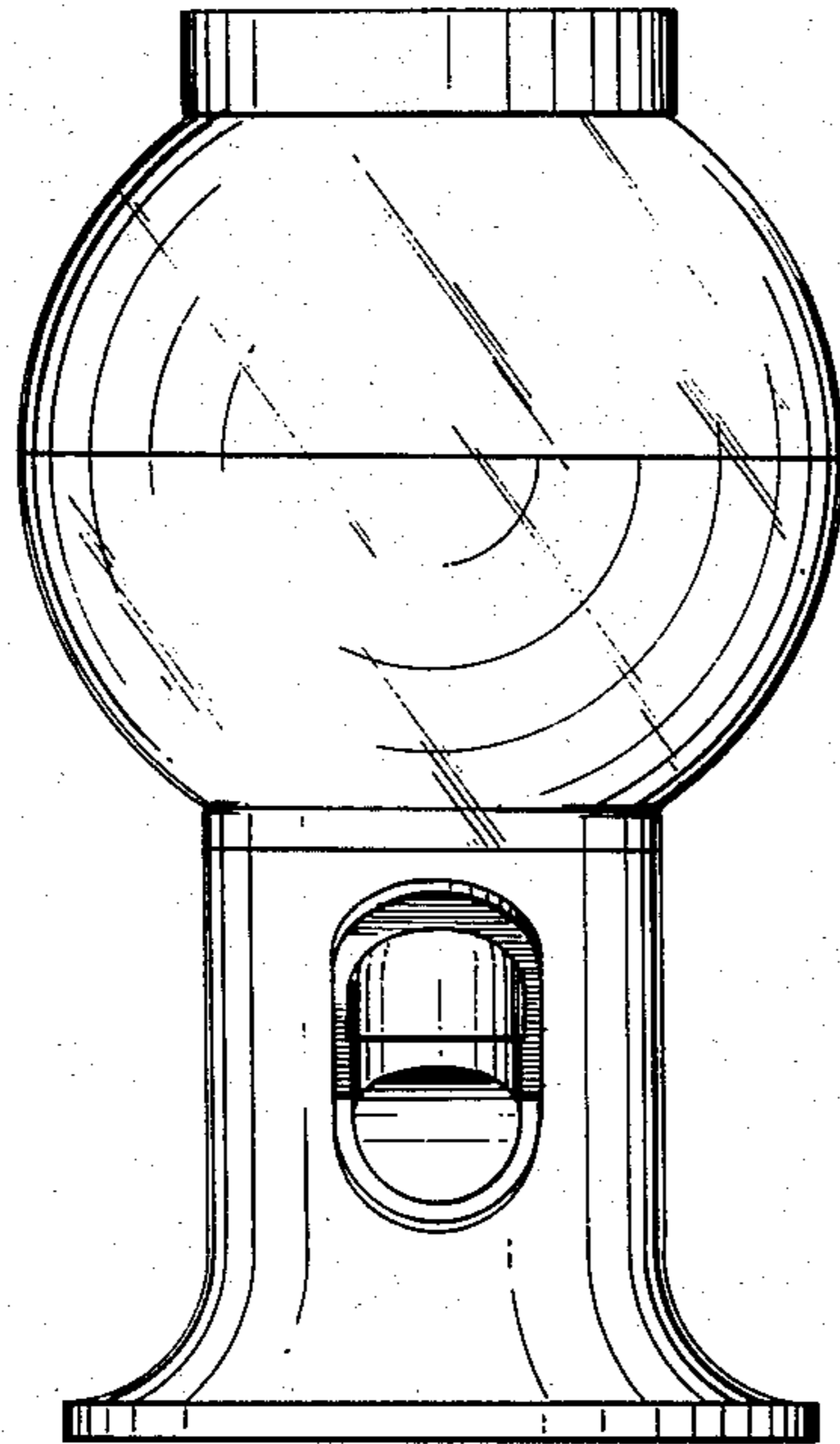


FIG. 1

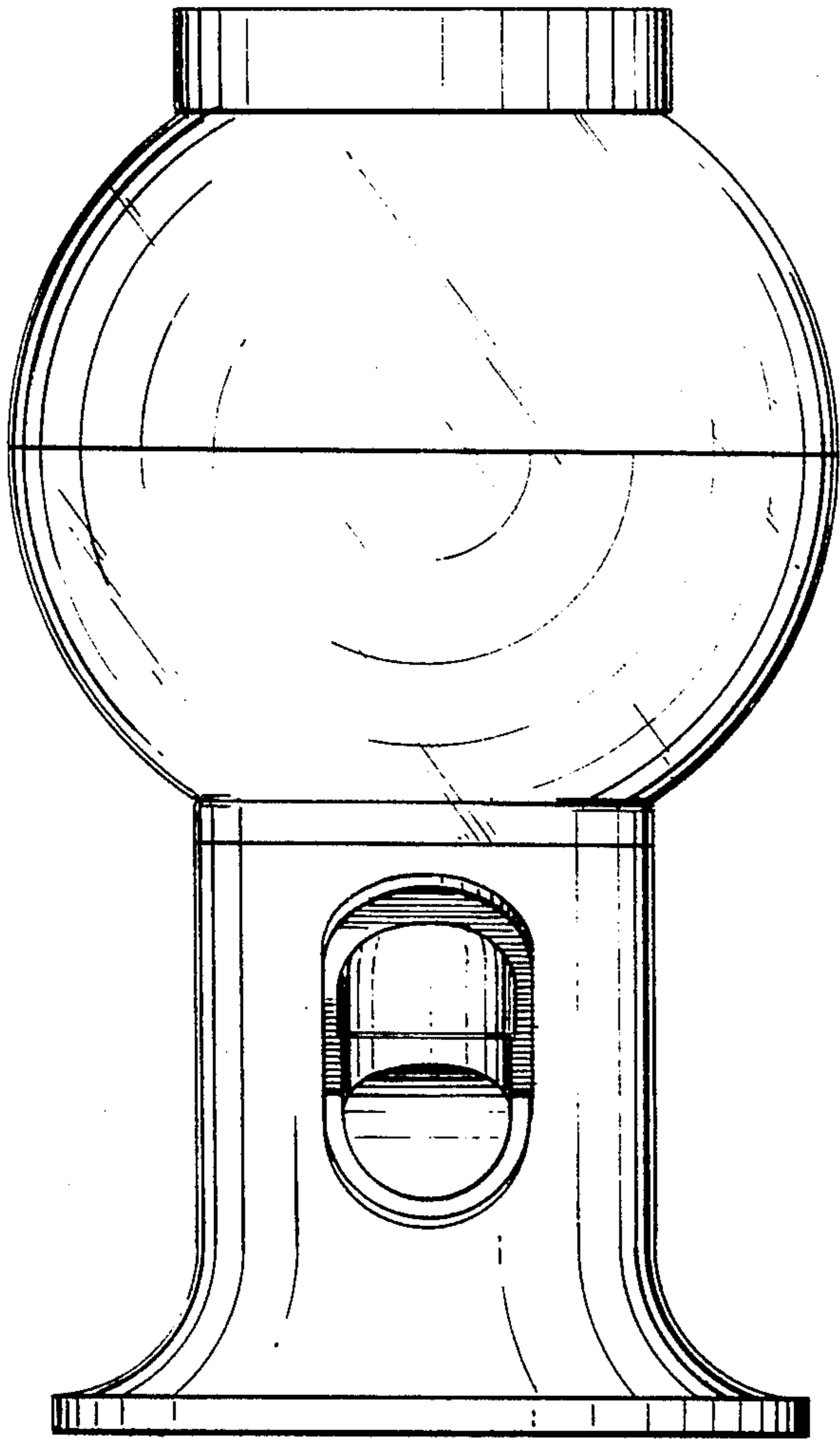


FIG. 2

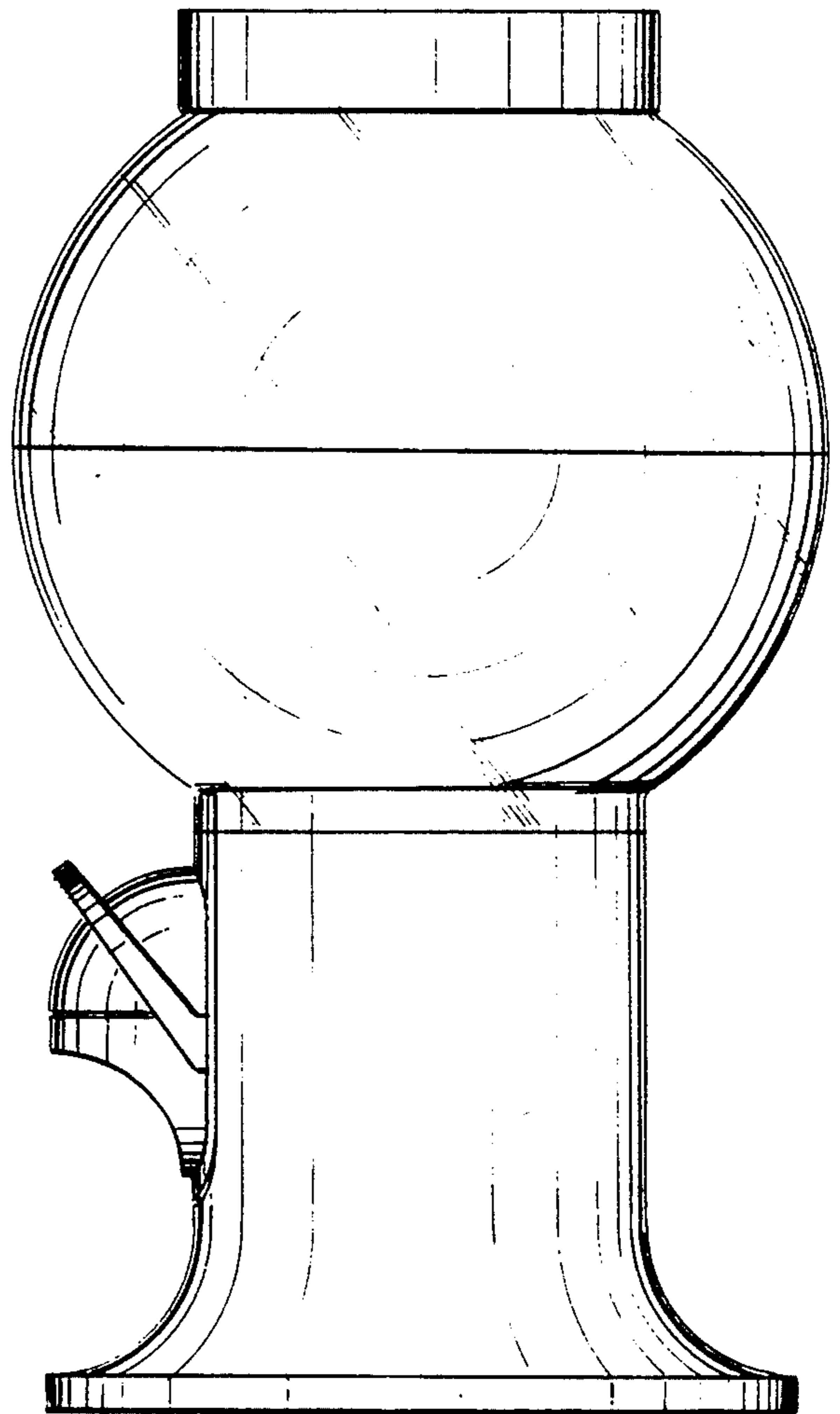


FIG. 3

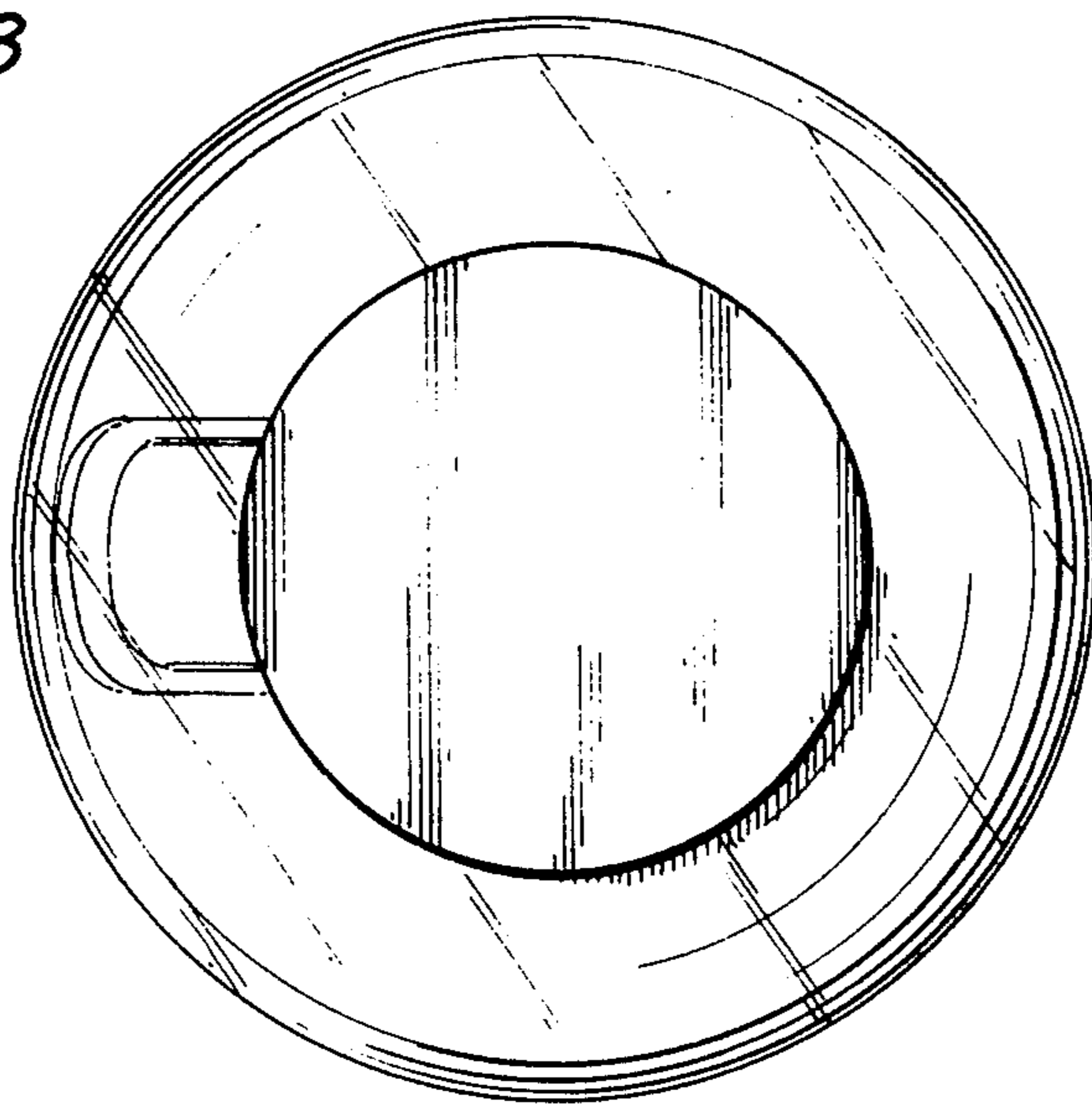


FIG. 4

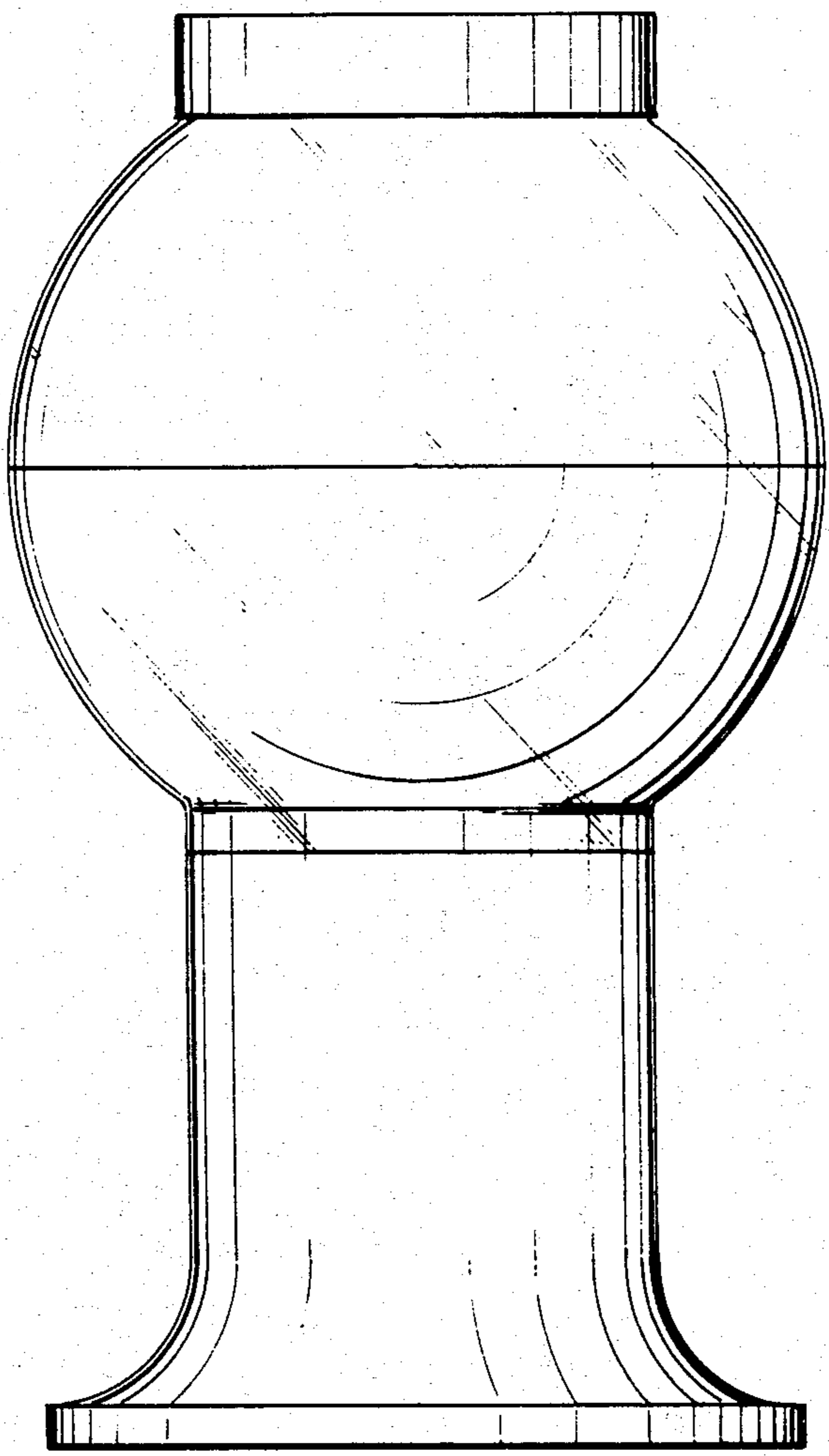


FIG. 5

