

[54] SOAP BAR RACK

[76] Inventor: William M. Walbeck, 2284 Warren Rd., Niles, Mich. 49120

[**] Term: 14 Years

[21] Appl. No.: 522,208

[22] Filed: Aug. 11, 1983

[52] U.S. Cl. D6/536; D6/540

[58] Field of Search D6/536, 537, 538, 539, D6/540, 534, 526; 248/309 R; 206/77.1; 211/87, 88

[56] References Cited

U.S. PATENT DOCUMENTS

D. 197,880	4/1964	Rubin	D6/526
D. 258,474	3/1981	Edstrom	D6/526
3,990,755	11/1976	Krause	D6/534

OTHER PUBLICATIONS

Van Huffel, Cat. #L-56, p. 68, Section Moldings-#1002B/.020; 1002A/.020 in upper right corner.
Van Huffel, Cat. #L-56, p. 13, Section Moldings, #2532/.050 in lower left corner.

Primary Examiner—B. J. Bullock
Assistant Examiner—Suzanne N. Gitlin
Attorney, Agent, or Firm—Marmaduke A. Hobbs

[57] CLAIM

The ornamental design for a soap bar rack, substantially as shown.

DESCRIPTION

FIG. 1 is a perspective view of a soap bar rack embodying my new design;
FIG. 2 is a front elevational view;
FIG. 3 is an end elevational view the opposite end being a mirror image thereof;
FIG. 4 is a rear elevational view;
FIG. 5 is a top plan view;
FIG. 6 is a bottom plan view.

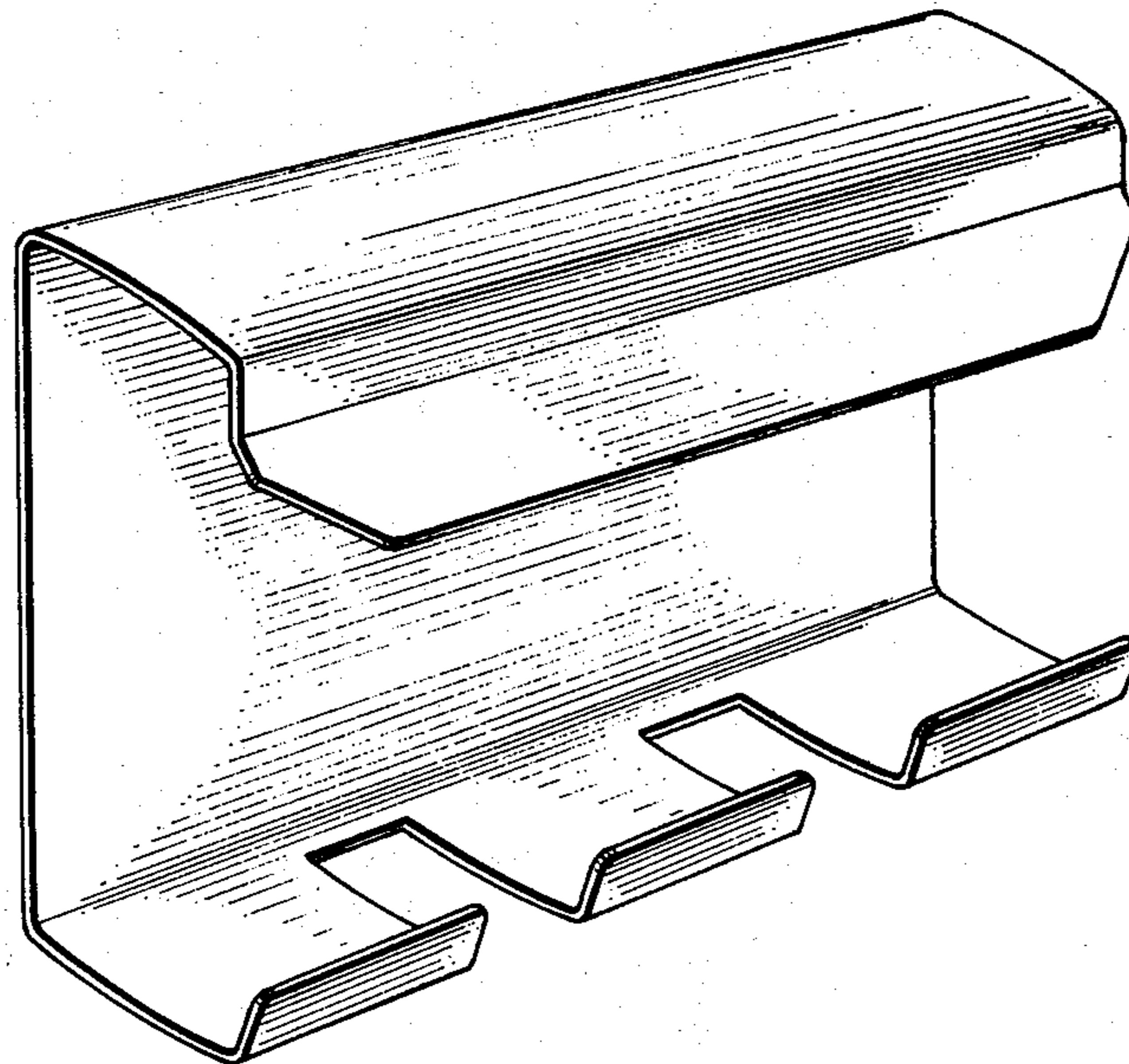


Fig. 1

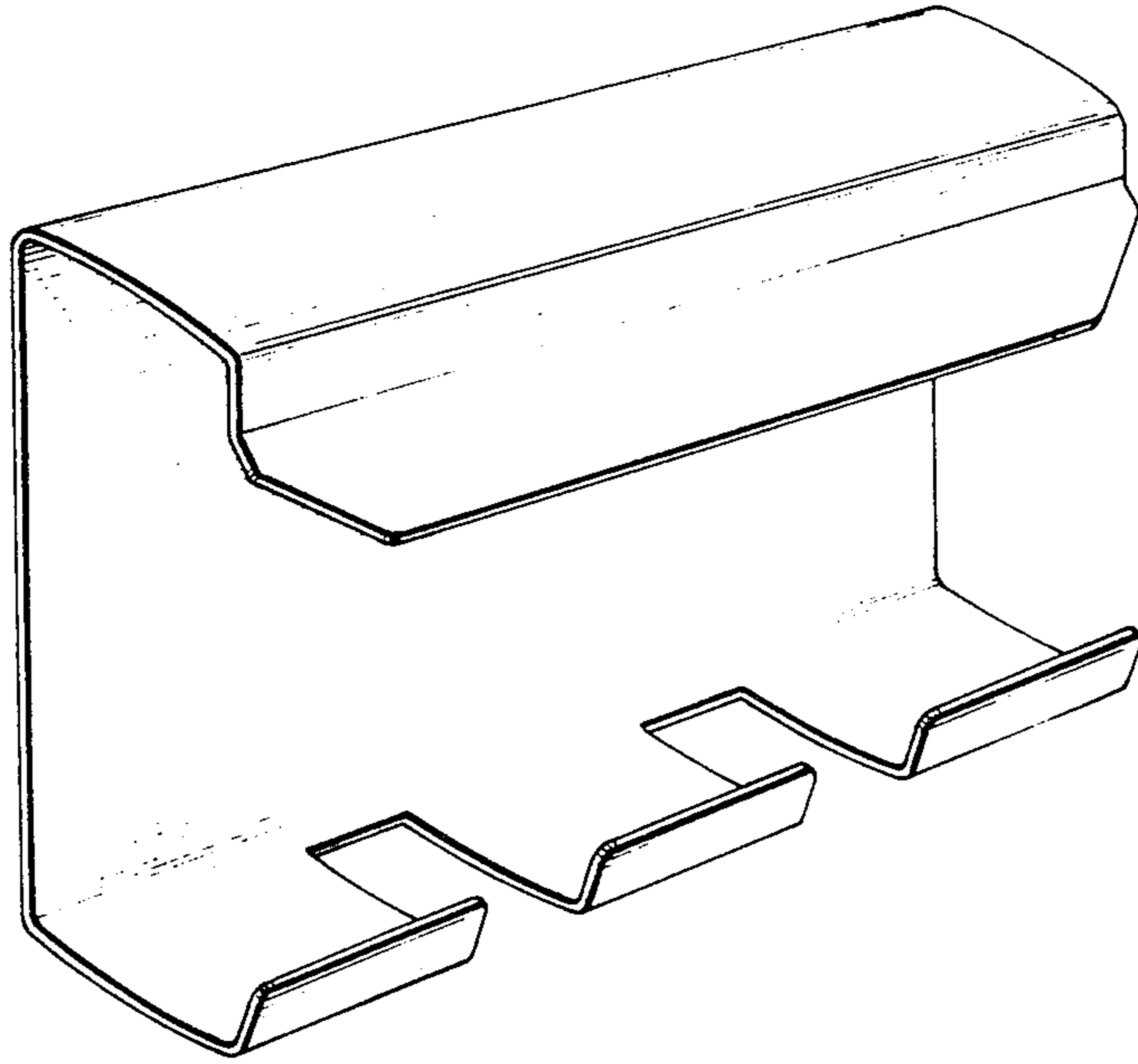


Fig. 2

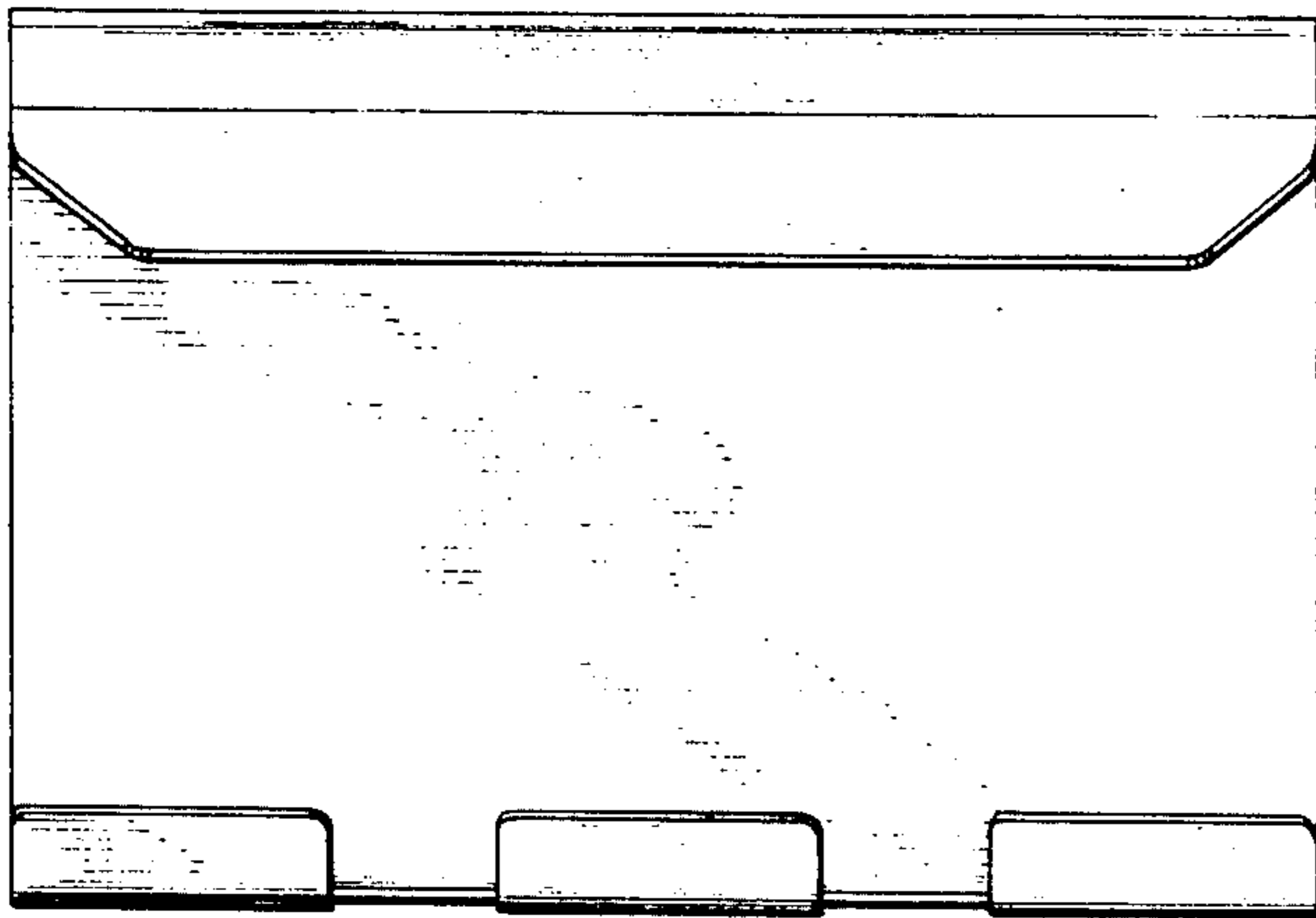


Fig. 3

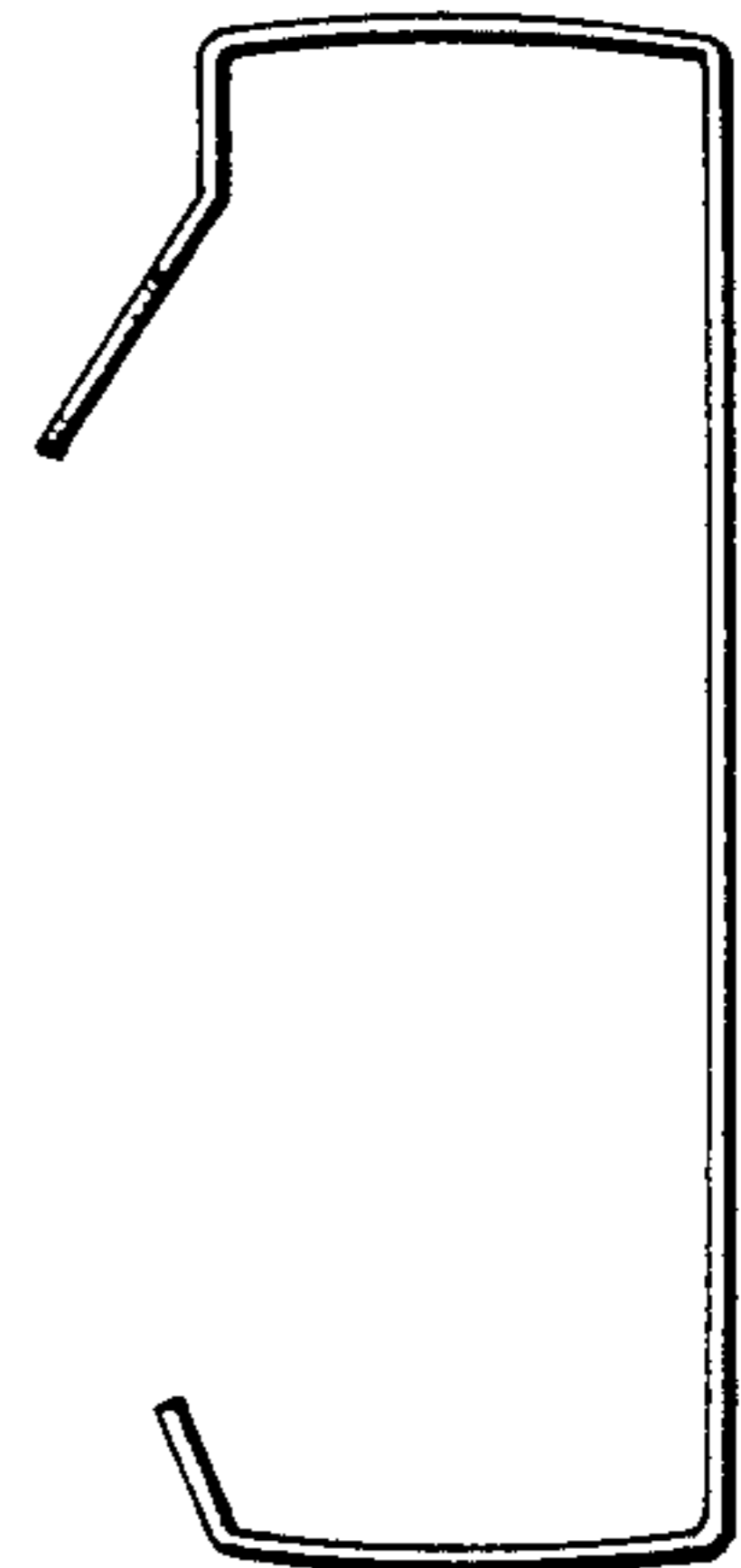


Fig. 4

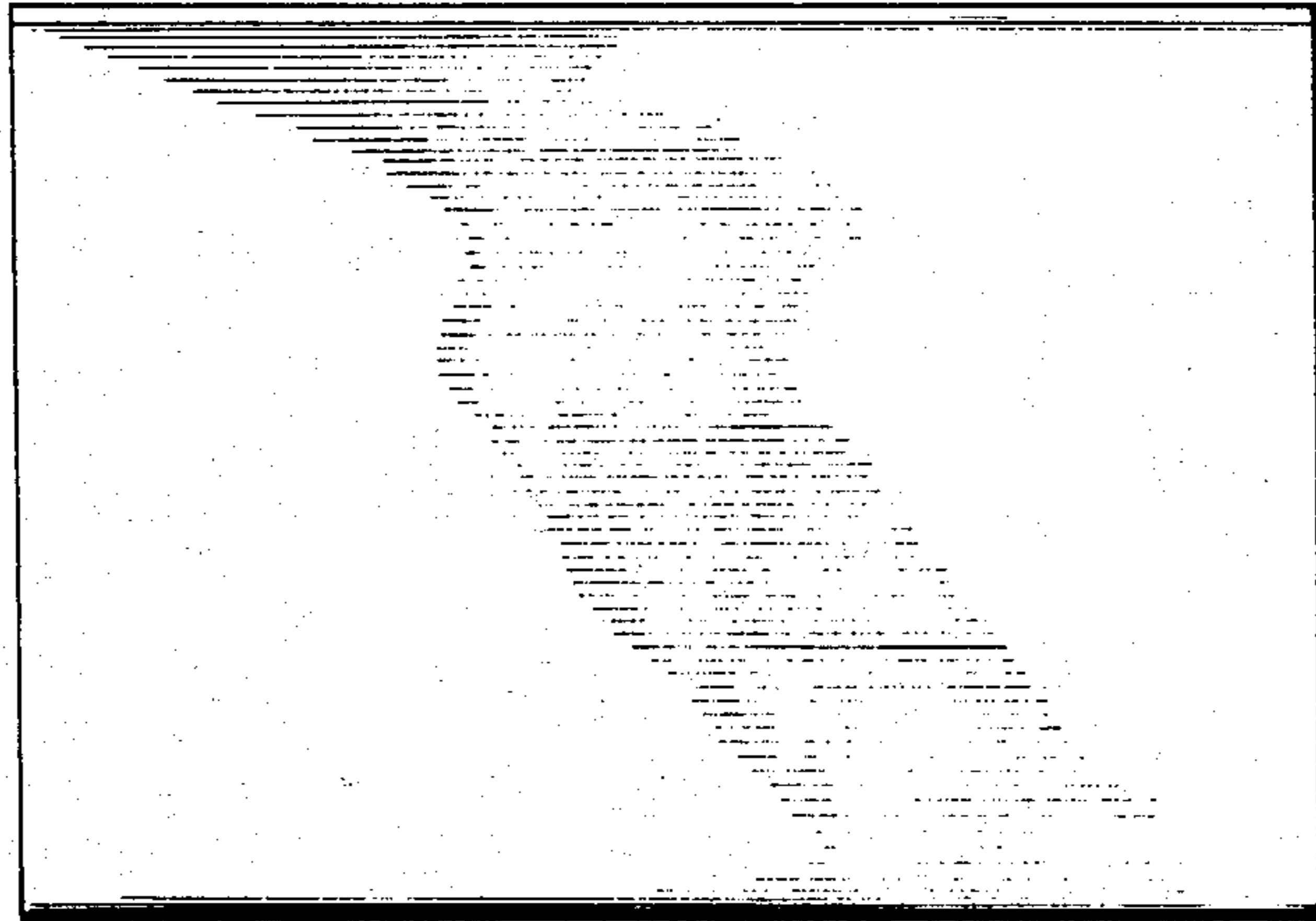


Fig. 5

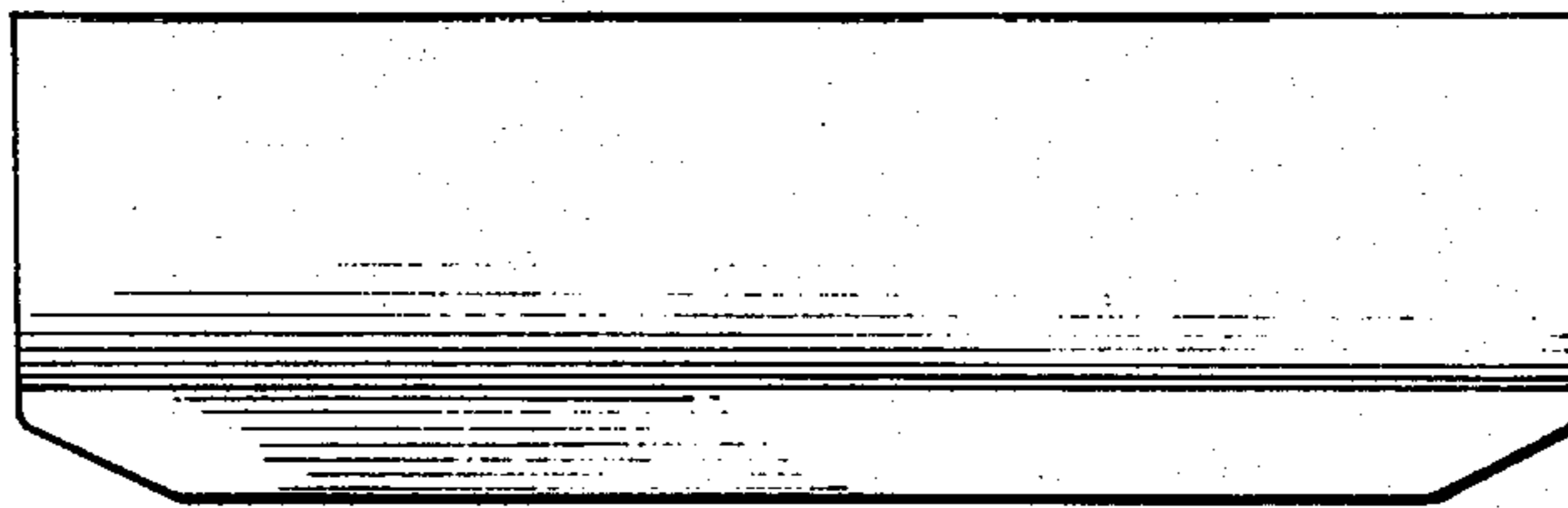


Fig. 6

