

[54] SHELF ATTACHMENT FOR HOLDING ACCESSORY ITEMS

[75] Inventor: Earl D. Barnett, Glenview, Ill.

[73] Assignee: Chicago Show Printing Co., Morton Grove, Ill.

[\*\*] Term: 14 Years

[21] Appl. No.: 446,493

[22] Filed: Dec. 3, 1982

[52] U.S. Cl. .... D6/509; D6/463; D6/491; D6/511

[58] Field of Search ..... D6/191, 85, 509, 511, D6/463, 491; D19/89, 90, 91

[56] References Cited

U.S. PATENT DOCUMENTS

- D. 225,705 1/1973 Torrey ..... D6/374 X
- D. 237,237 10/1975 Nelson ..... D19/91 X

- D. 261,533 10/1981 Nagley ..... D19/91
- D. 263,971 4/1982 Smith ..... D19/91
- D. 272,023 1/1984 Mayer et al. .... D6/380

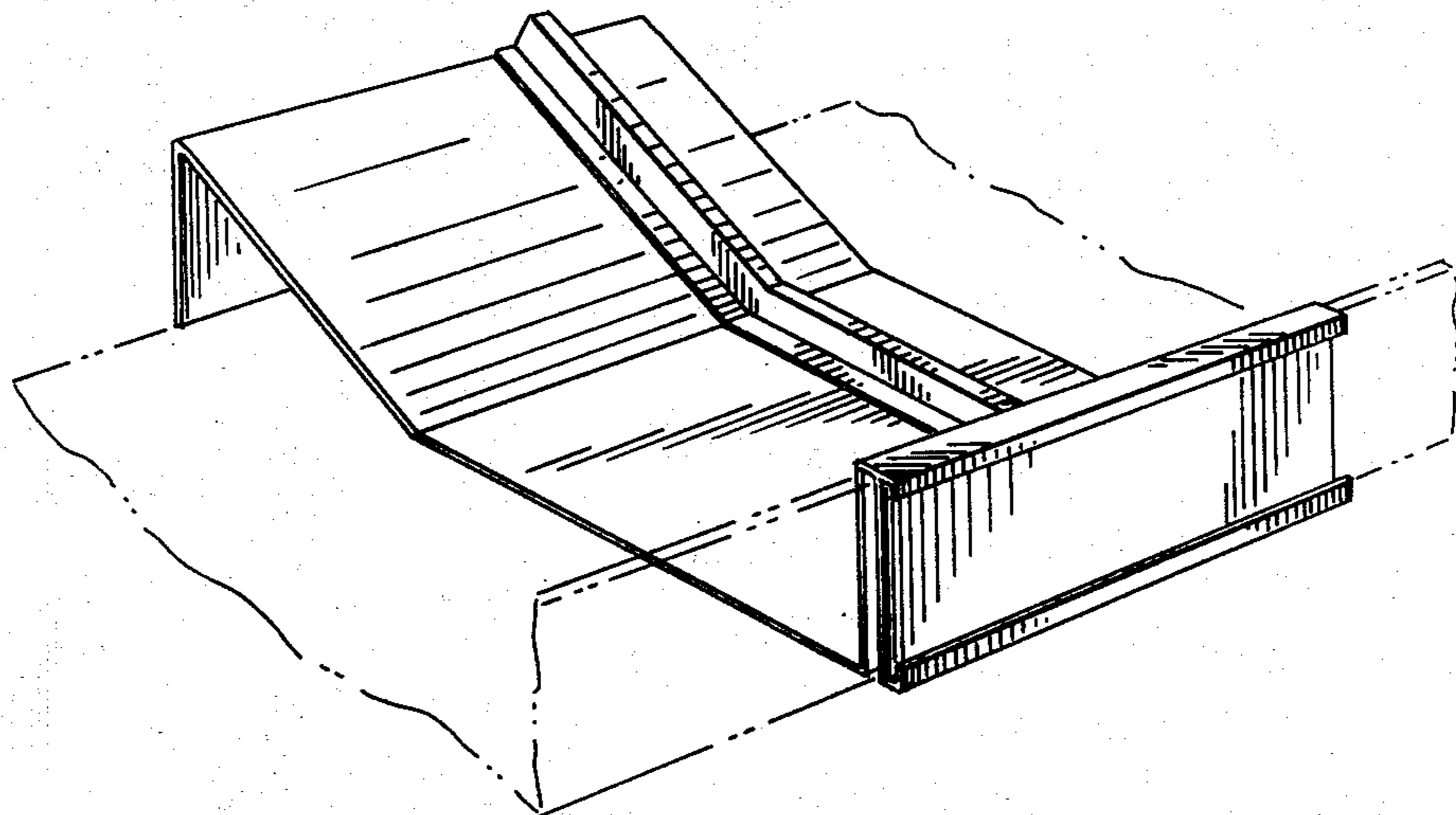
Primary Examiner—Bruce W. Dunkins  
Attorney, Agent, or Firm—McDougall, Hersh & Scott

[57] CLAIM

The ornamental design for a shelf attachment for holding accessory items, as shown and described.

DESCRIPTION

FIG. 1 is a perspective view of a shelf attachment for holding accessory items showing my design, the dot-dash lines in the figure are for illustrative purposes only; FIG. 2 is a side view of the design, the side not shown being a mirror image of the side shown in FIG. 2; FIG. 3 is a top plan view; FIG. 4 is a front view; FIG. 5 is a bottom view; FIG. 6 is a rear view.



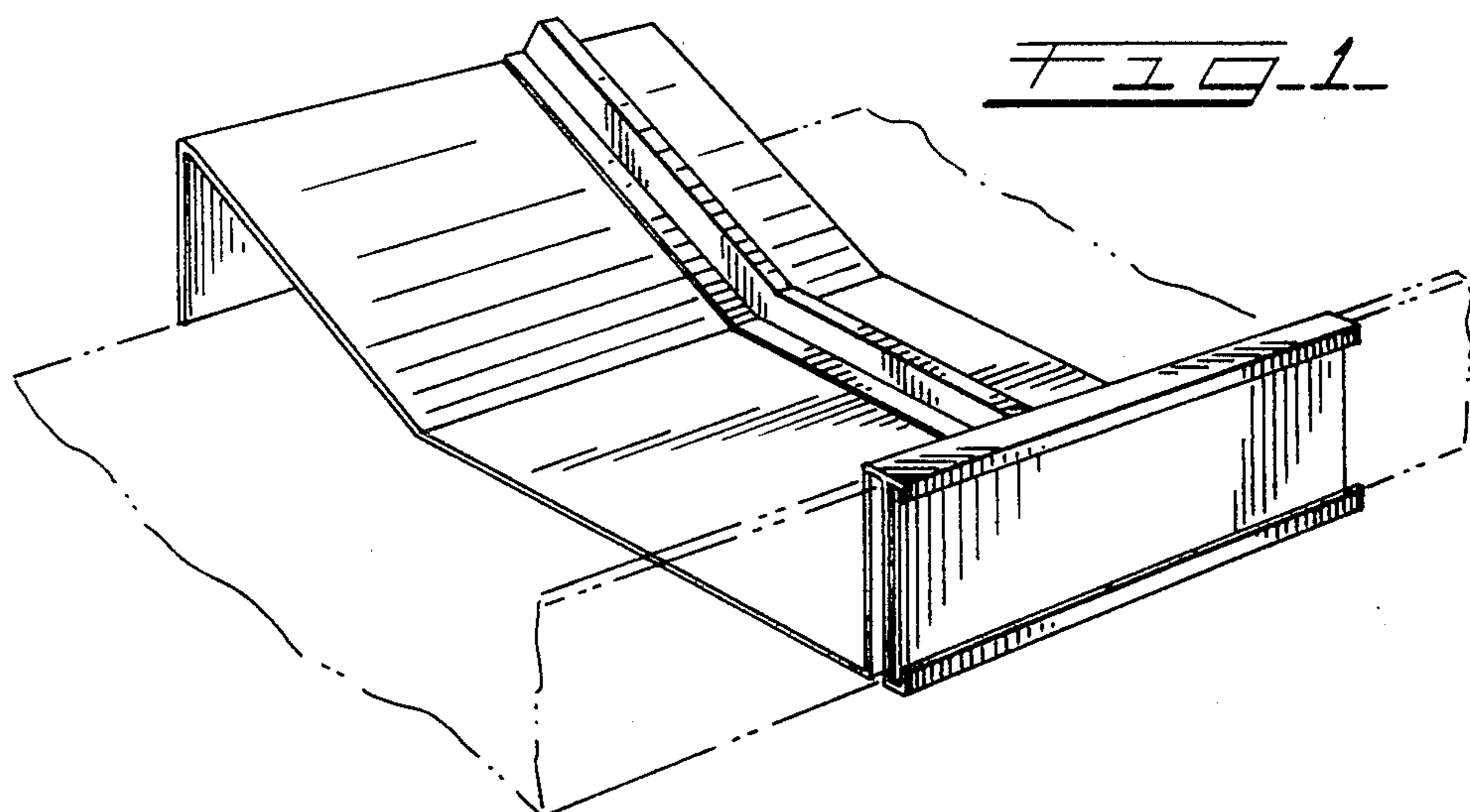


FIG. 1

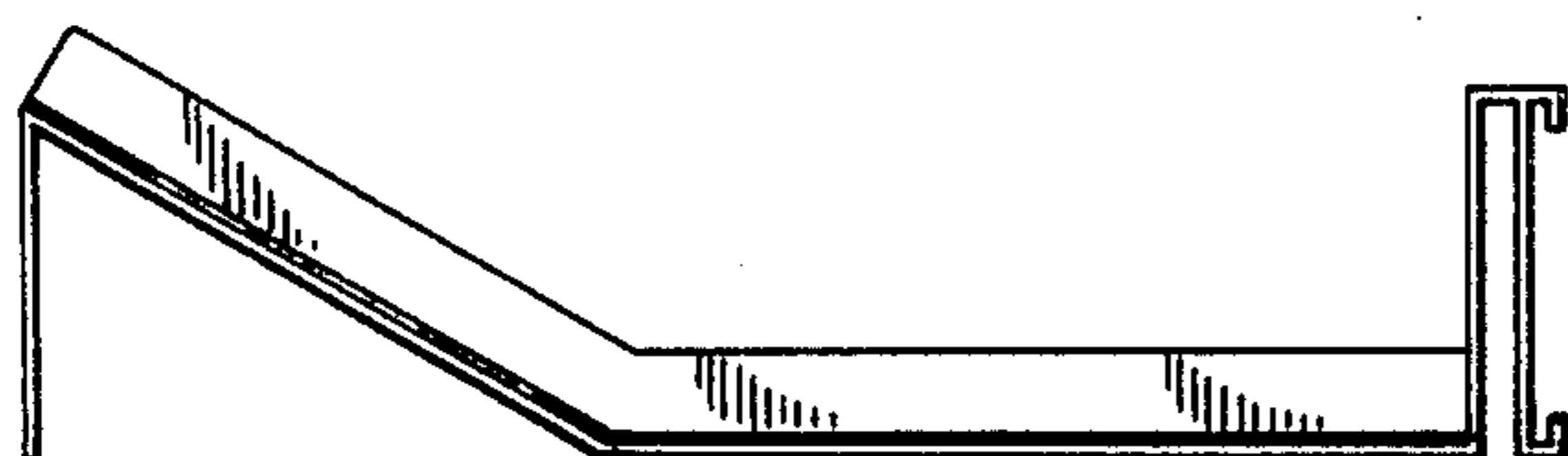


FIG. 2

FIG. 3

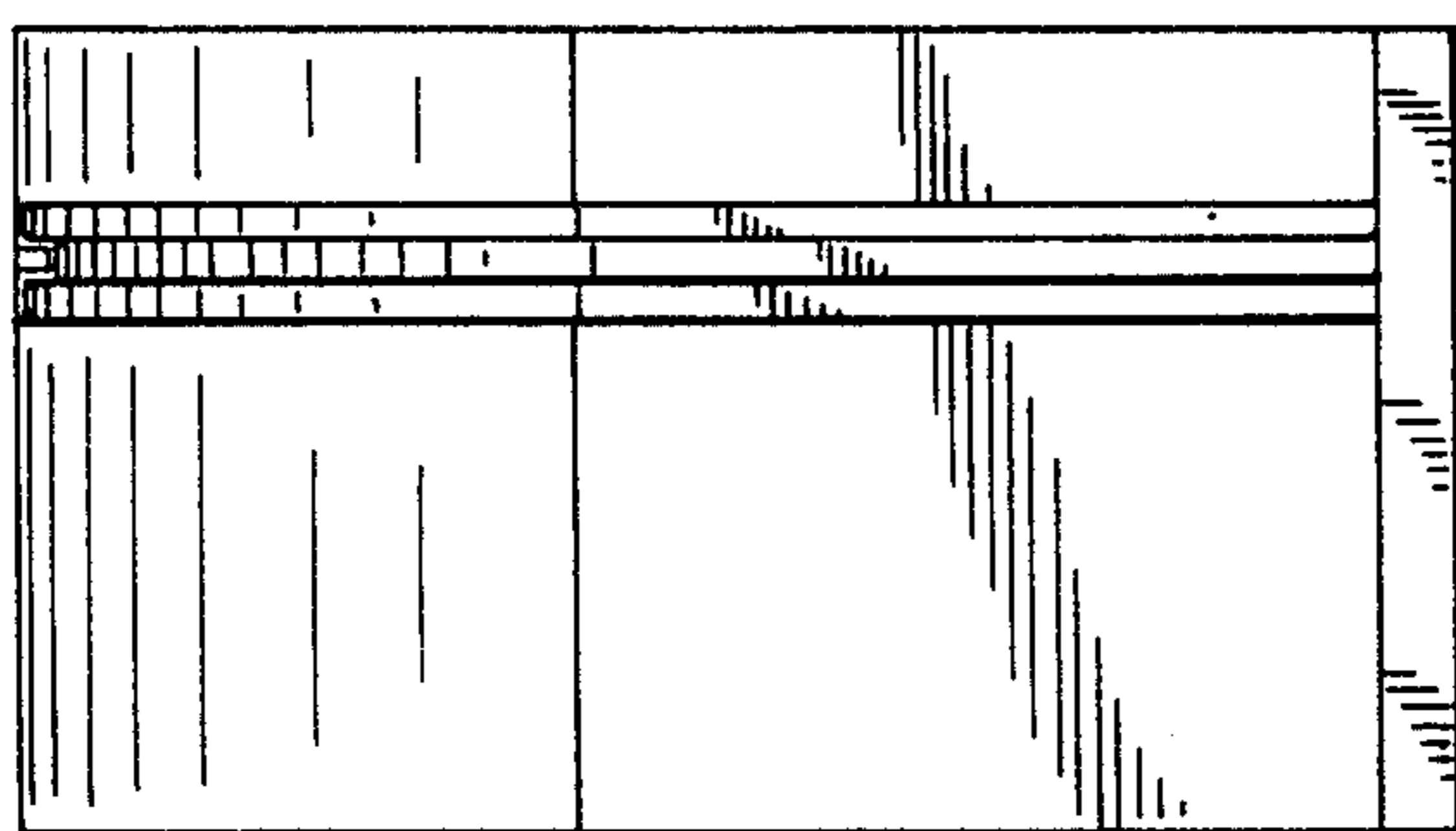


FIG. 4

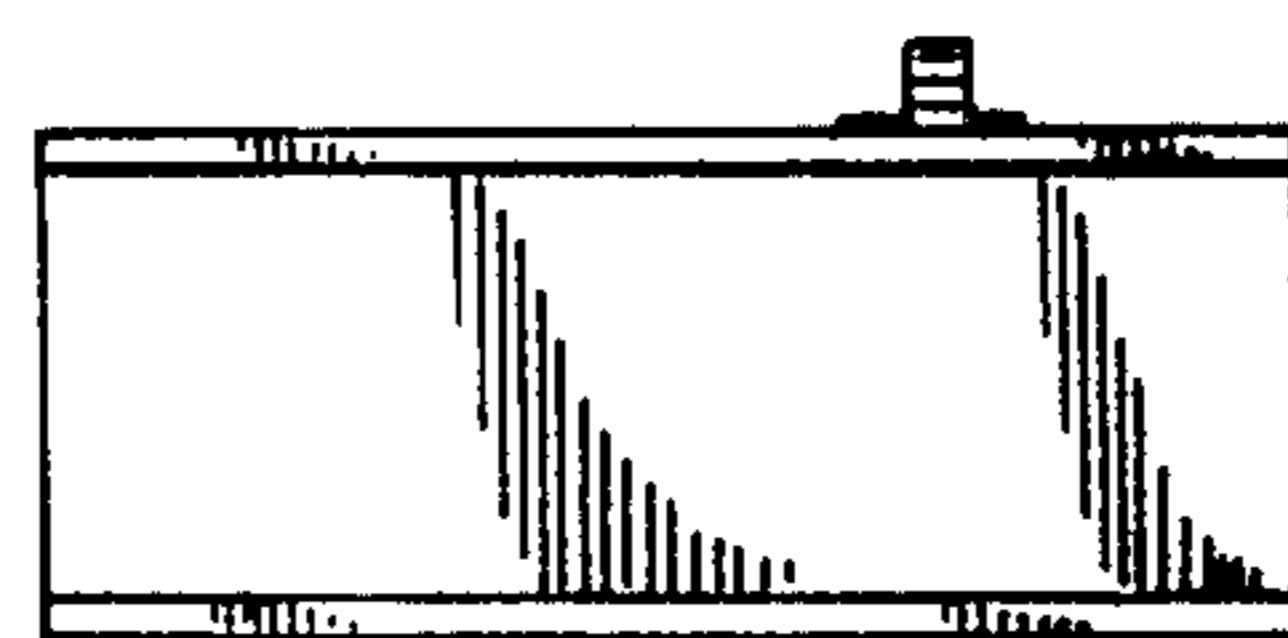


FIG. 5

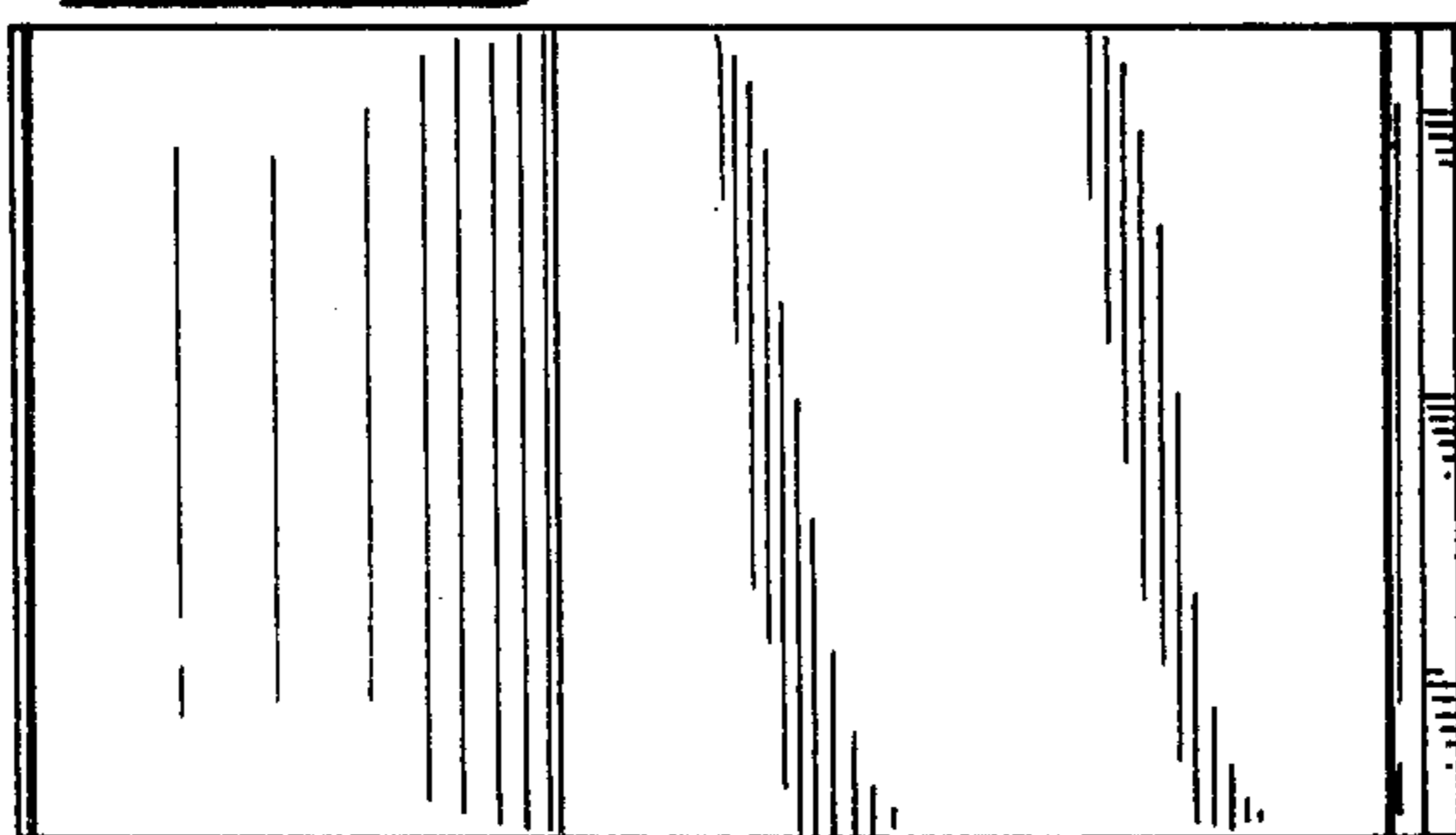


FIG. 6

