

[54] SUPPORT UNIT FOR ADJUSTING A CHAIR SEAT DEPTH

[56] References Cited

U.S. PATENT DOCUMENTS

D. 242,758	12/1976	Strang	D6/496
2,583,414	1/1952	Chain	248/188.1
3,873,054	3/1975	McKee et al.	248/418 X
3,913,877	10/1975	Wiener	248/188.1 X
3,926,396	12/1975	Hull et al.	248/418

[75] Inventor: Joar Aasen, Roros, Norway

Primary Examiner—Bruce W. Dunkins
Attorney, Agent, or Firm—Darby & Darby

[73] Assignee: Hag A/S, Oslo, Norway

[**] Term: 14 Years

[57] CLAIM

[21] Appl. No.: 476,613

The ornamental design for a support unit for adjusting a chair seat depth, substantially as shown and described.

[22] Filed: Mar. 18, 1983

DESCRIPTION

[30] Foreign Application Priority Data

Sep. 29, 1982 [NO] Norway 63309

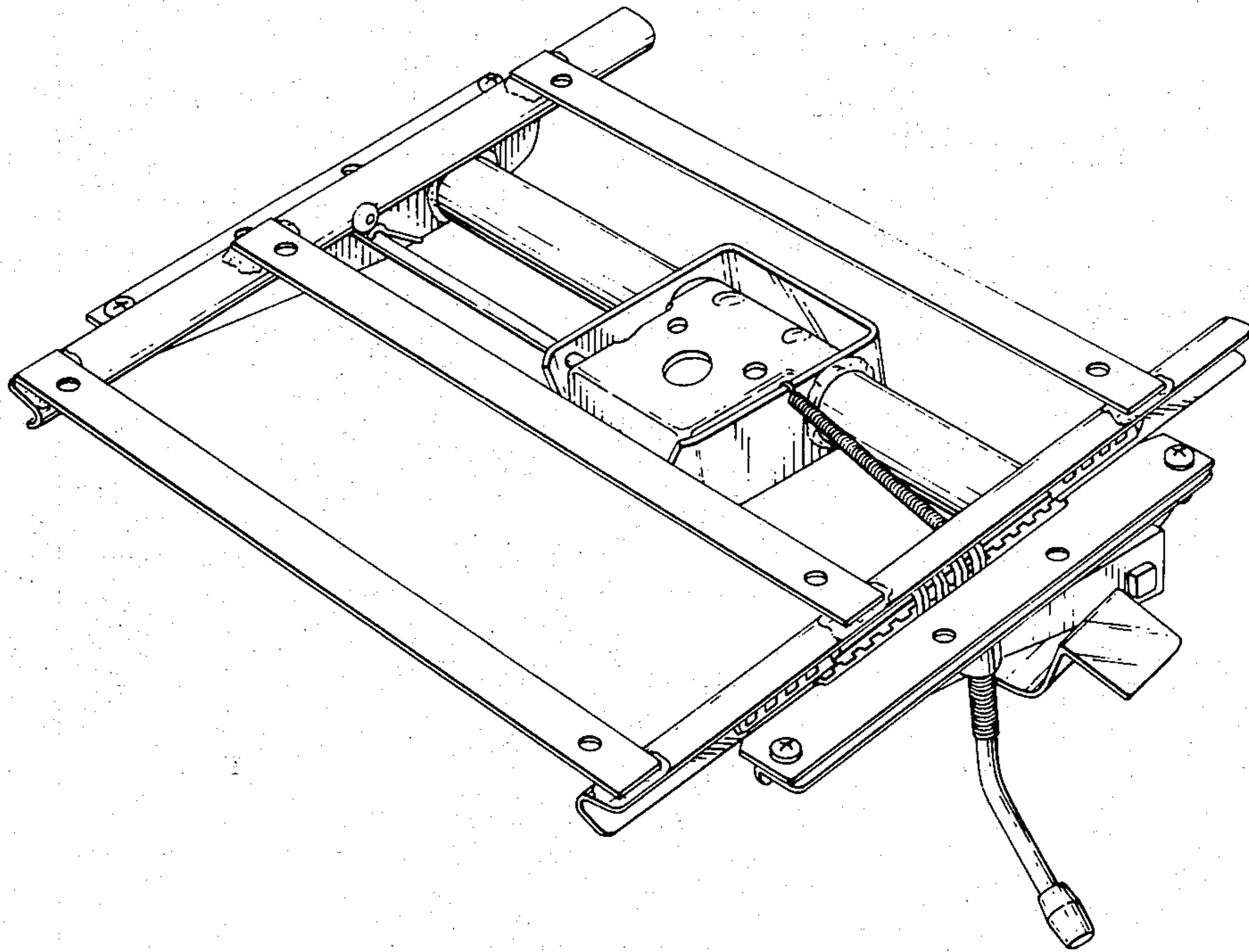
[52] U.S. Cl. D6/491

[58] Field of Search D6/491, 495, 496, 500,
D6/501, 502

FIG. 1 is a perspective view from above of a support unit for adjusting a chair seat depth embodying my new design;

FIG. 2 is a perspective view from below of the adjustment device; and

FIG. 3 is a front perspective view from below of the adjustment device.



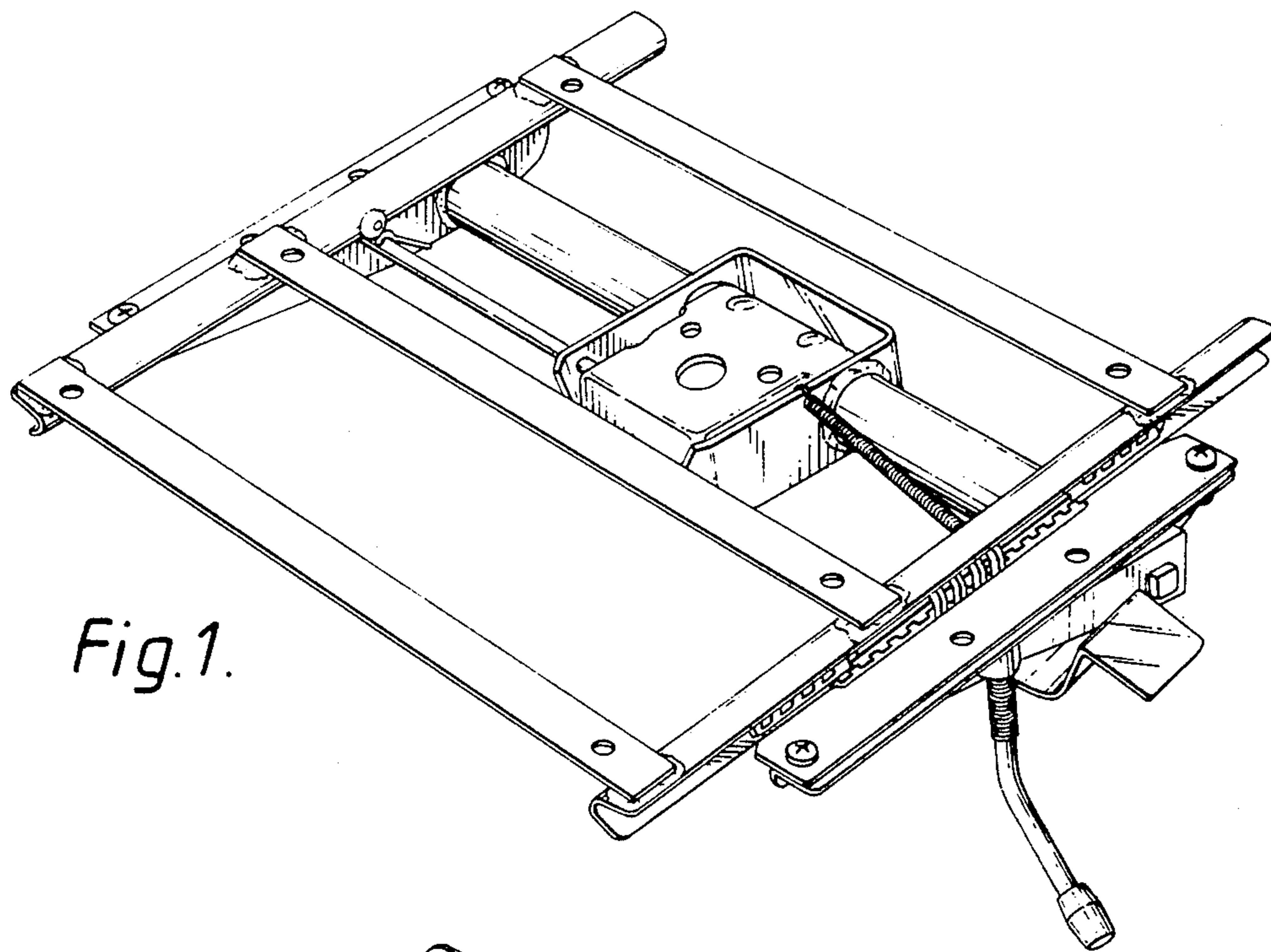


Fig. 1.

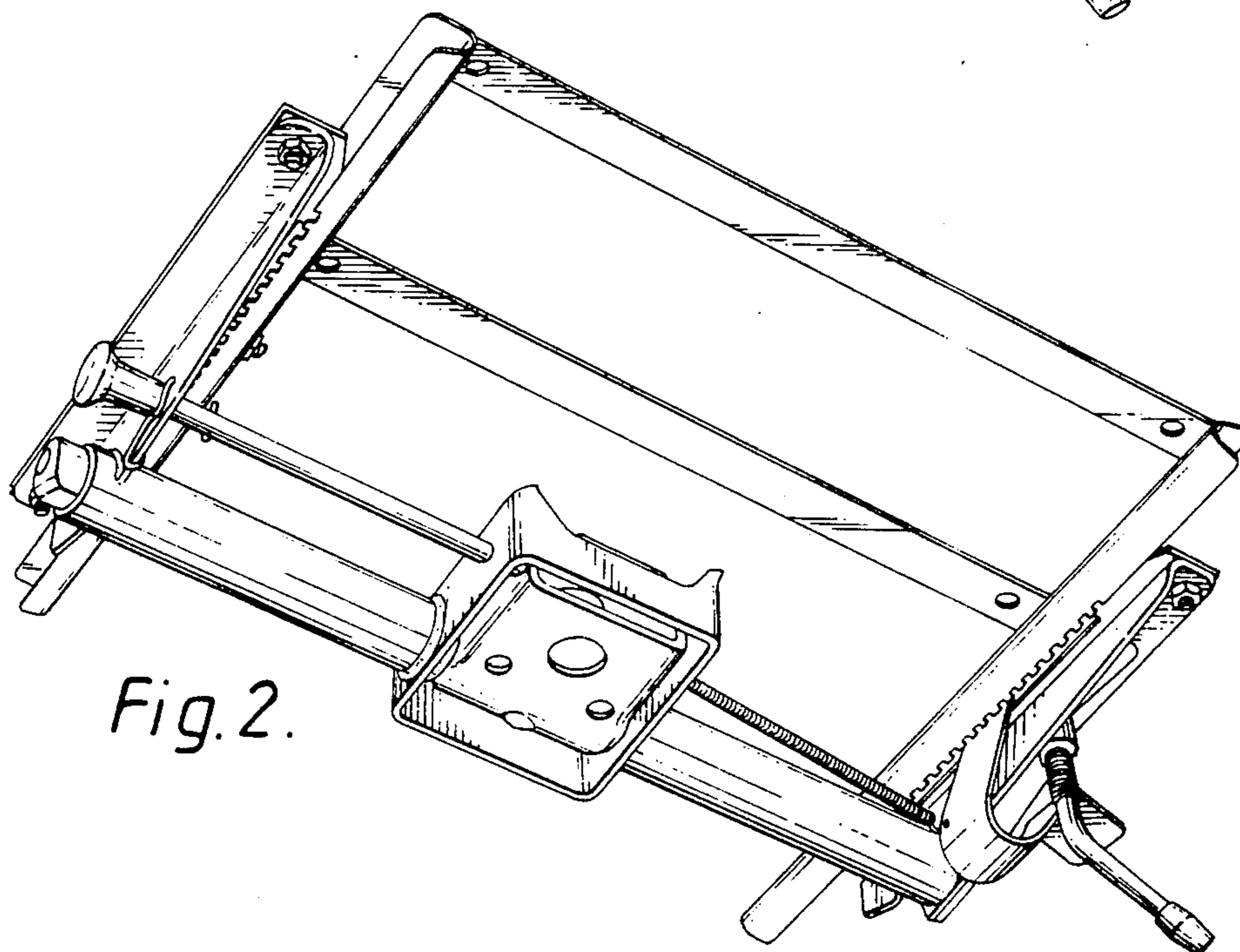


Fig. 2.

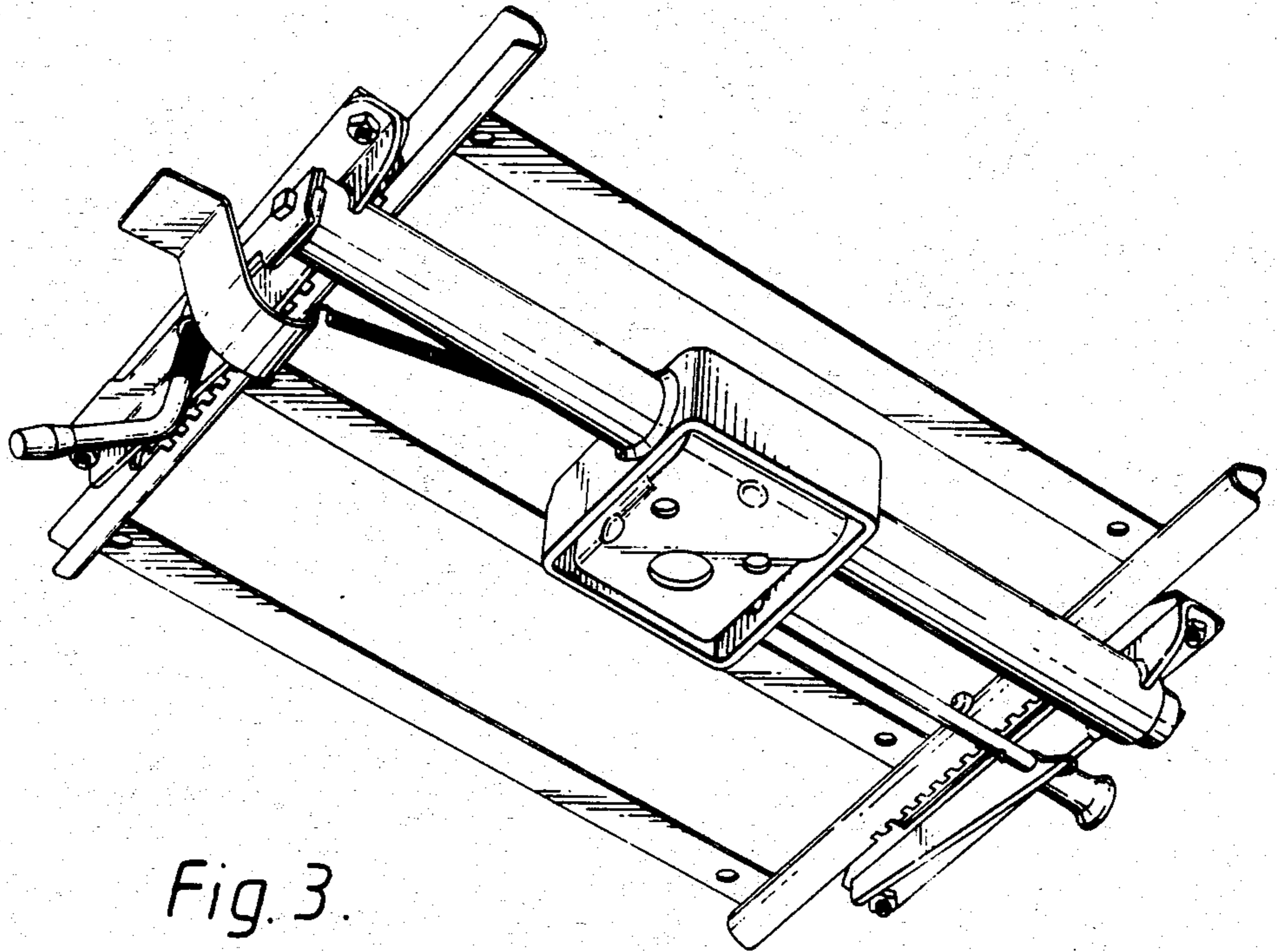


Fig. 3.