

[54] TABLE

[76] Inventor: Warren Platner, Foote's Bridge Rd., Guilford, Conn. 06437

[\*\*] Term: 14 Years

[21] Appl. No.: 457,247

[22] Filed: Jan. 11, 1983

[52] U.S. Cl. .... D6/487; D6/486

[58] Field of Search ..... D6/146, 486, 487

[56] References Cited

PUBLICATIONS

Design Catalog, May 1979, p. 65, Table at left.  
Interior's, Nov. 1973, p. 124, Table left center.

Primary Examiner—Bruce W. Dunkins  
Attorney, Agent, or Firm—Michael Ebert

[57] CLAIM

The ornamental design for a table, substantially as shown and described.

DESCRIPTION

FIG. 1 is a perspective view of a table showing my design;  
FIG. 2 is a side elevational view; and  
FIG. 3 is a top plan view thereof;  
FIG. 4 is a perspective view of a second embodiment of my table; and  
FIG. 5 is a perspective view of a table showing a third embodiment of my design.

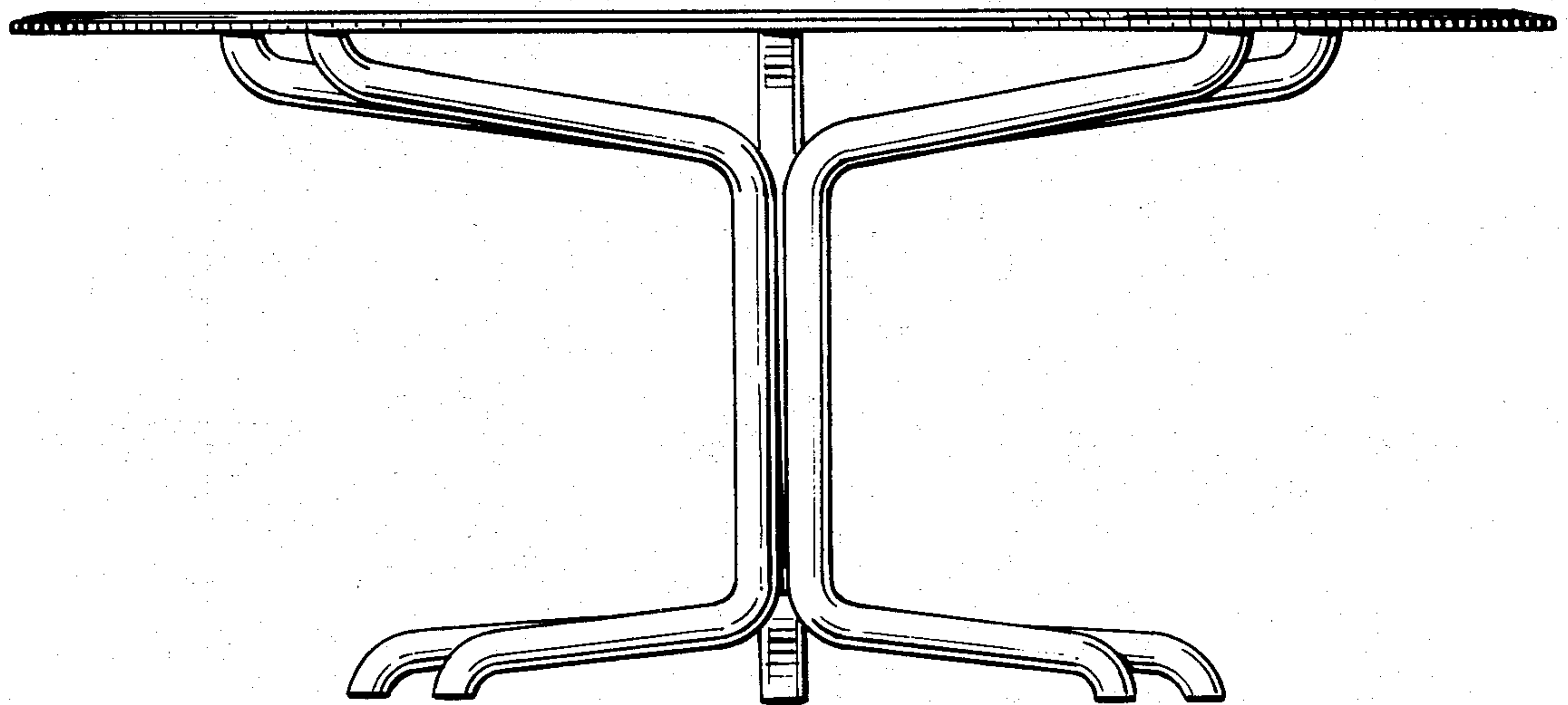


Fig. 1.



Fig. 2.

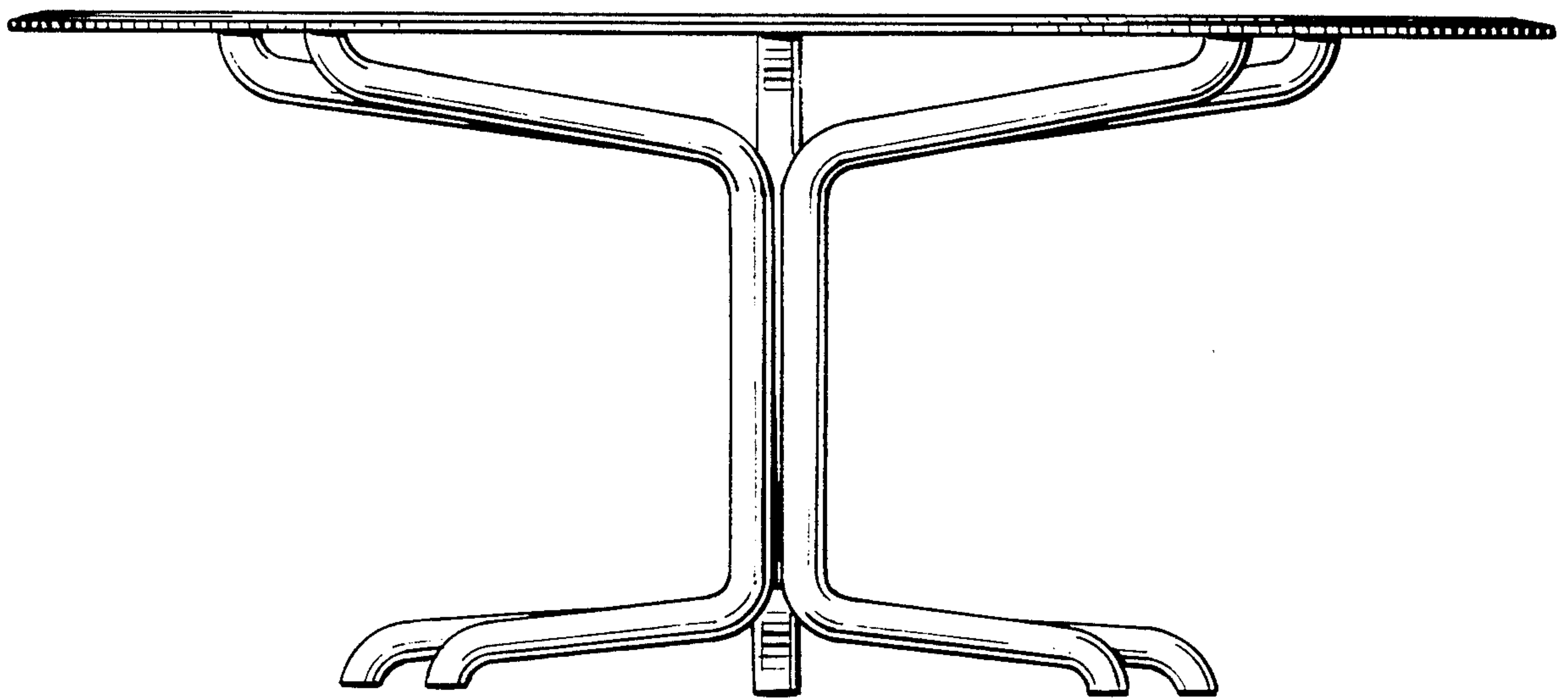
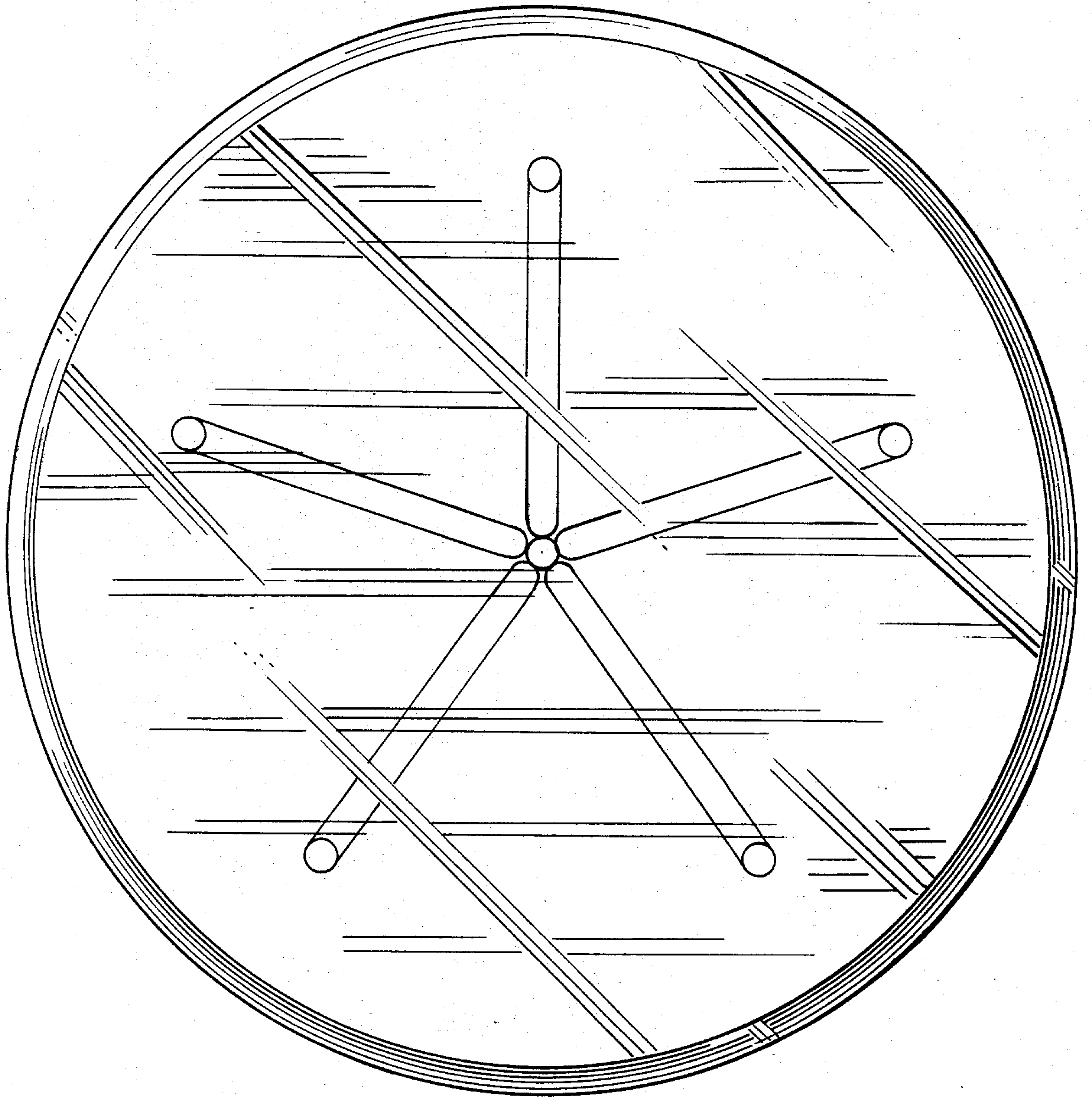


Fig. 3.



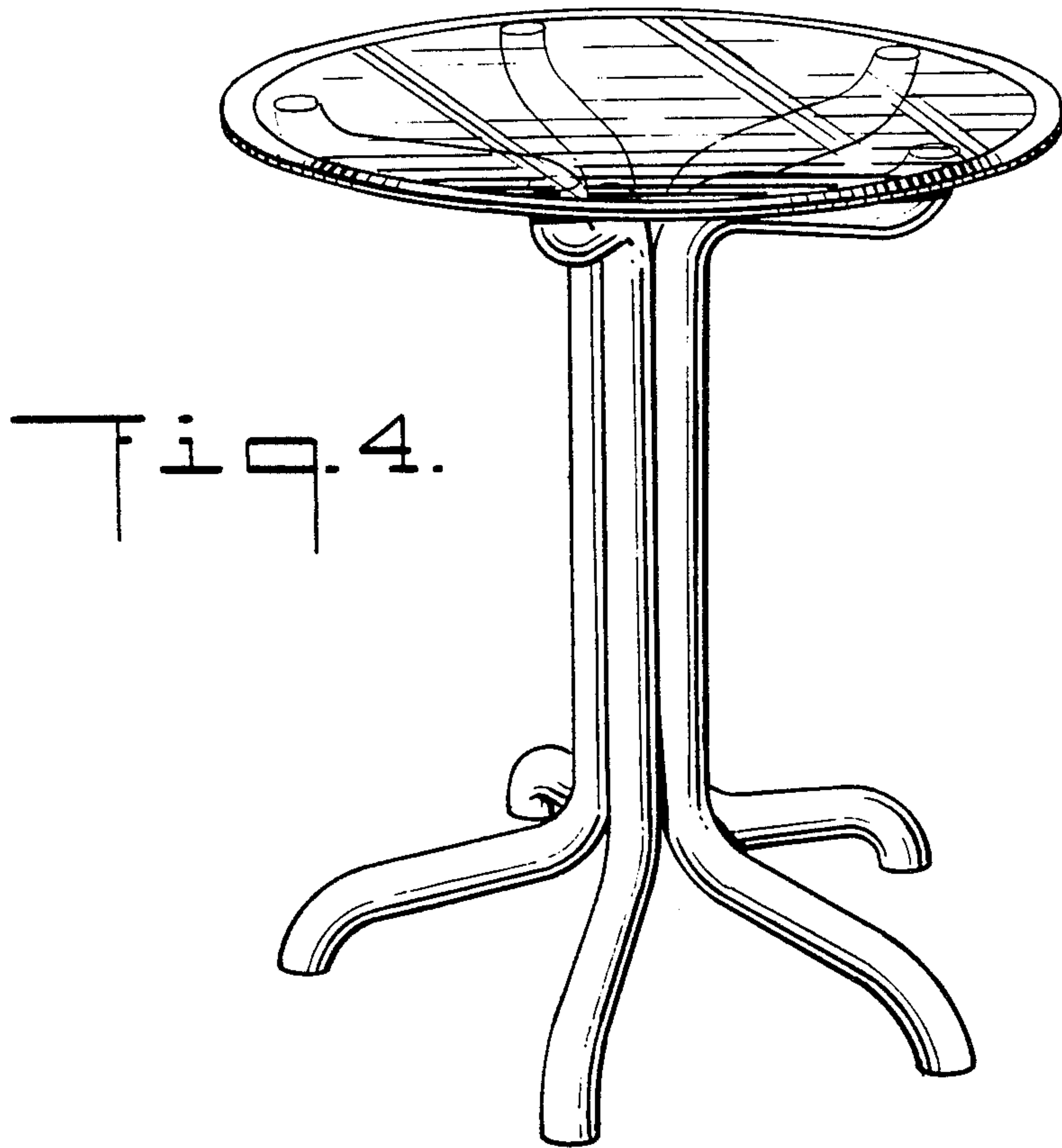


Fig. 4.

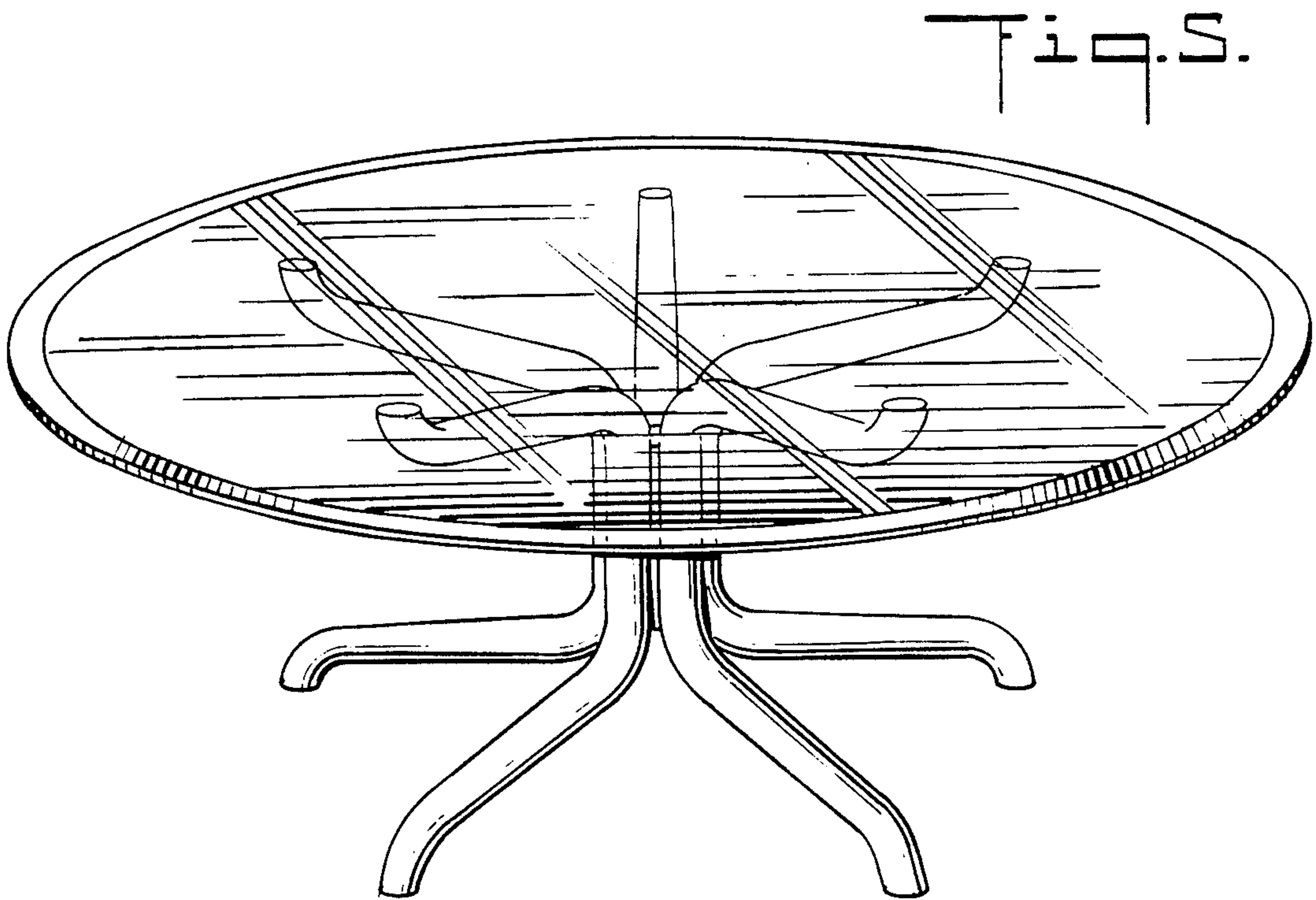


Fig. 5.