

[54] TABLE

[76] Inventor: Robert J. Marks, C.B. 152, 3450 SW. 126th Ave., Miramar, Fla. 33027

[**] Term: 14 Years

[21] Appl. No.: 489,523

[22] Filed: Apr. 28, 1983

[52] U.S. Cl. D6/477; D6/484

[58] Field of Search D6/470, 477, 478, 479, D6/480, 484, 485

[56] References Cited

U.S. PATENT DOCUMENTS

- D. 232,610 9/1974 Petersen D6/479
- D. 238,133 12/1975 Uebele D6/455
- D. 244,113 4/1977 Friedman D6/477
- D. 244,417 5/1977 Pratt D6/477

OTHER PUBLICATIONS

- Lane Co. Catalog, Mar. 23, 1973, p. 4, Endtable No. 1121-06.
- Lane Co. Catalog, Mar. 23, 1973, p. 66, Corner Table No. 1453-17.

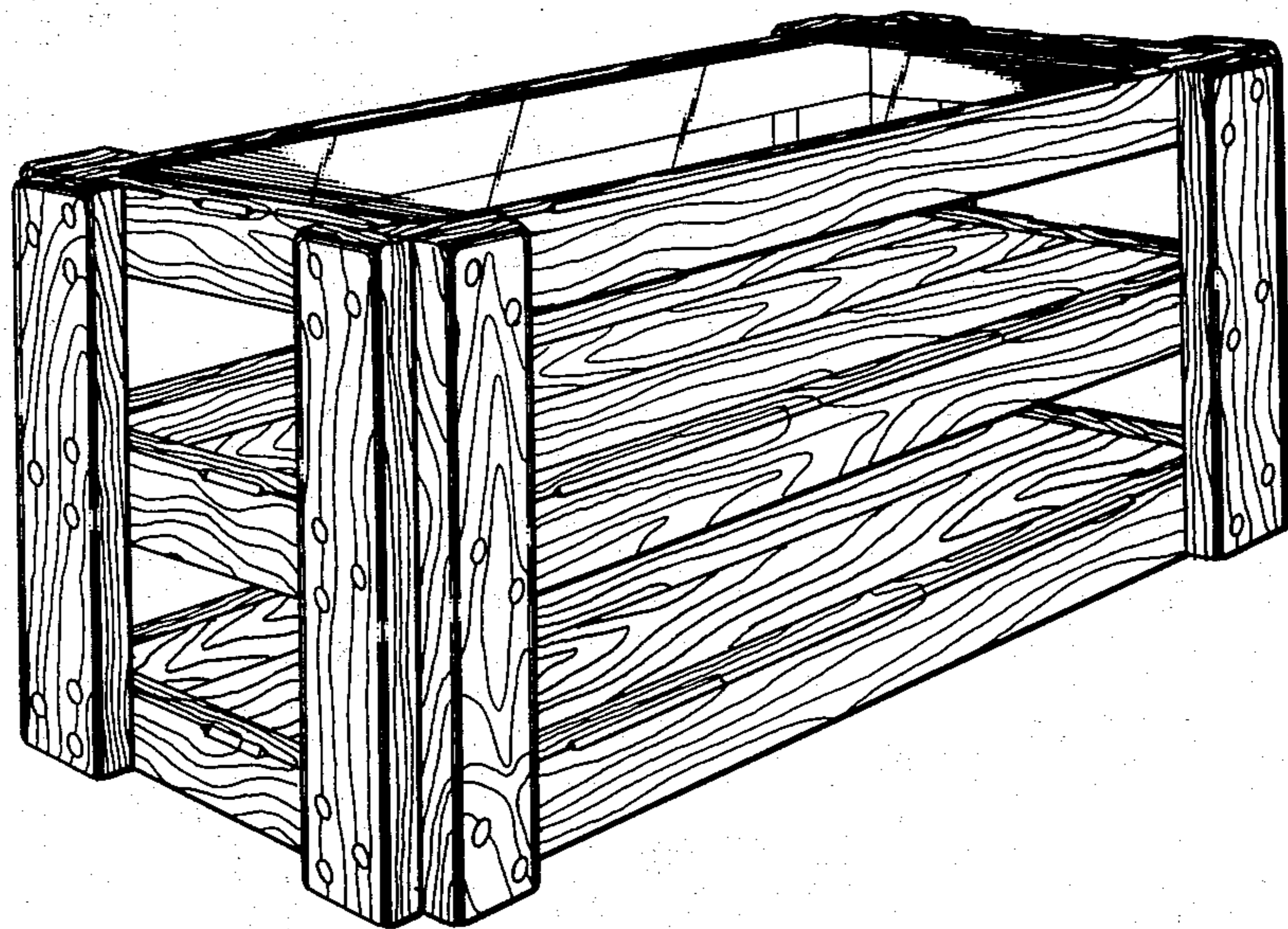
Primary Examiner—Bruce W. Dunkins
Attorney, Agent, or Firm—B. J. Powell

[57] CLAIM

The ornamental design for a table, substantially as shown and described.

DESCRIPTION

FIG. 1 is a perspective view of a table embodying my new design;
 FIG. 2 is an enlarged top view of the table seen in FIG. 1;
 FIG. 3 is an enlarged side view of the table seen in FIG. 1, the opposite side being the same in appearance;
 FIG. 4 is an enlarged end view of the table seen in FIG. 1, the opposite end being the same in appearance;
 FIG. 5 is a perspective view of a second embodiment of the table of FIG. 1;
 FIG. 6 is an enlarged top view of the table seen in FIG. 5;
 FIG. 7 is an enlarged side view of the table seen in FIG. 5, the opposite side being the same in appearance; and
 FIG. 8 is an enlarged end view of the table seen in FIG. 5, the opposite end being the same in appearance.



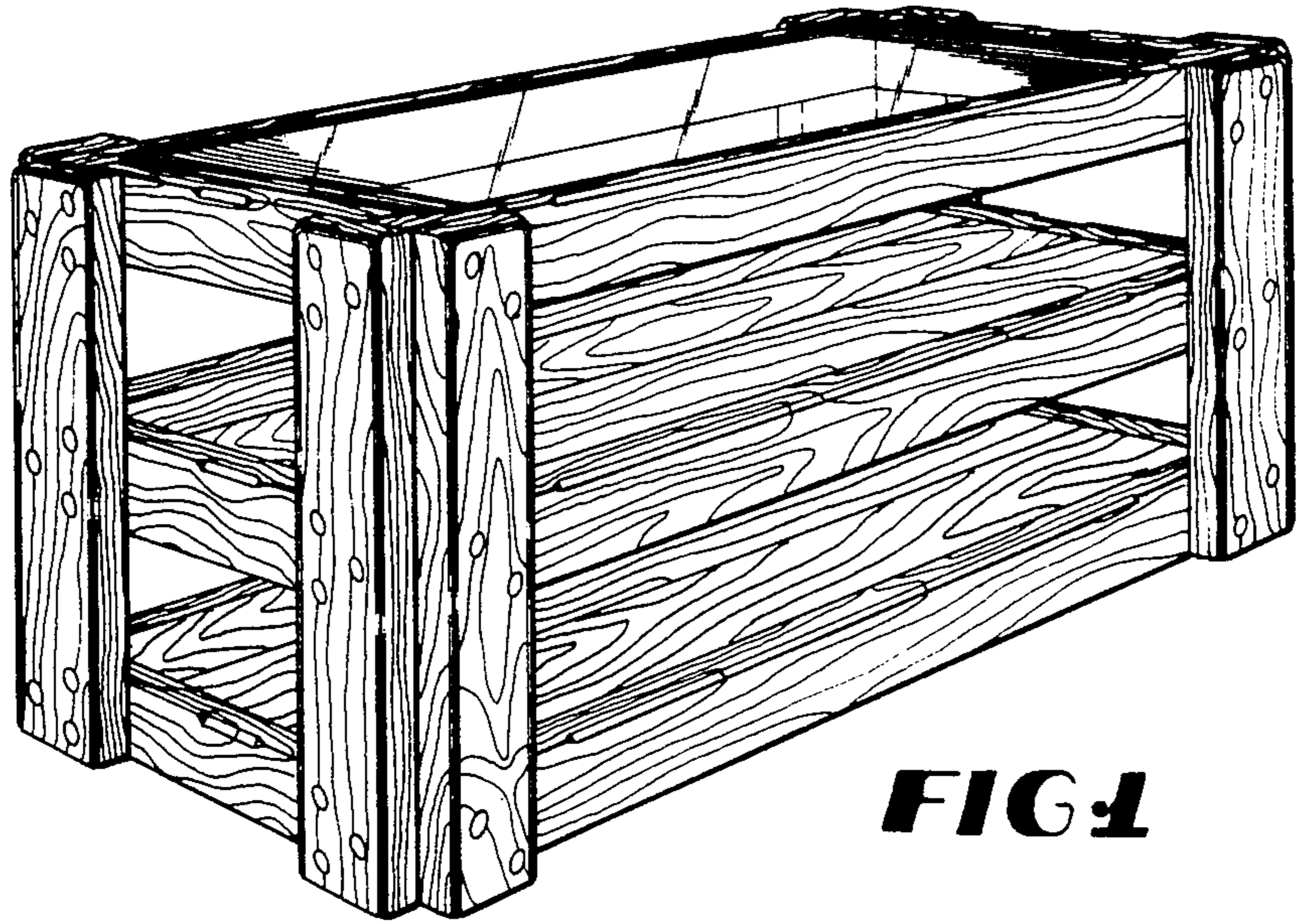


FIG 1

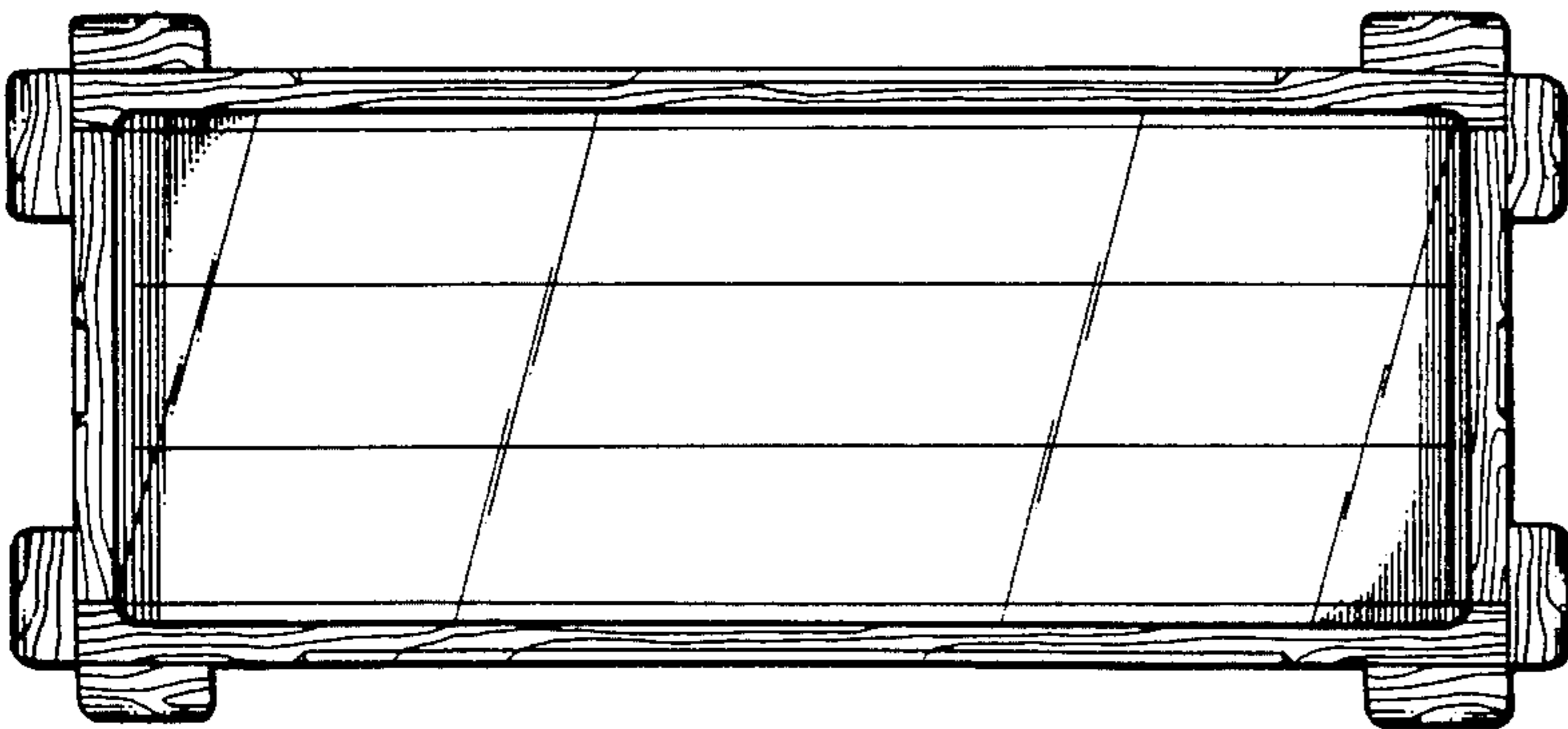


FIG 2

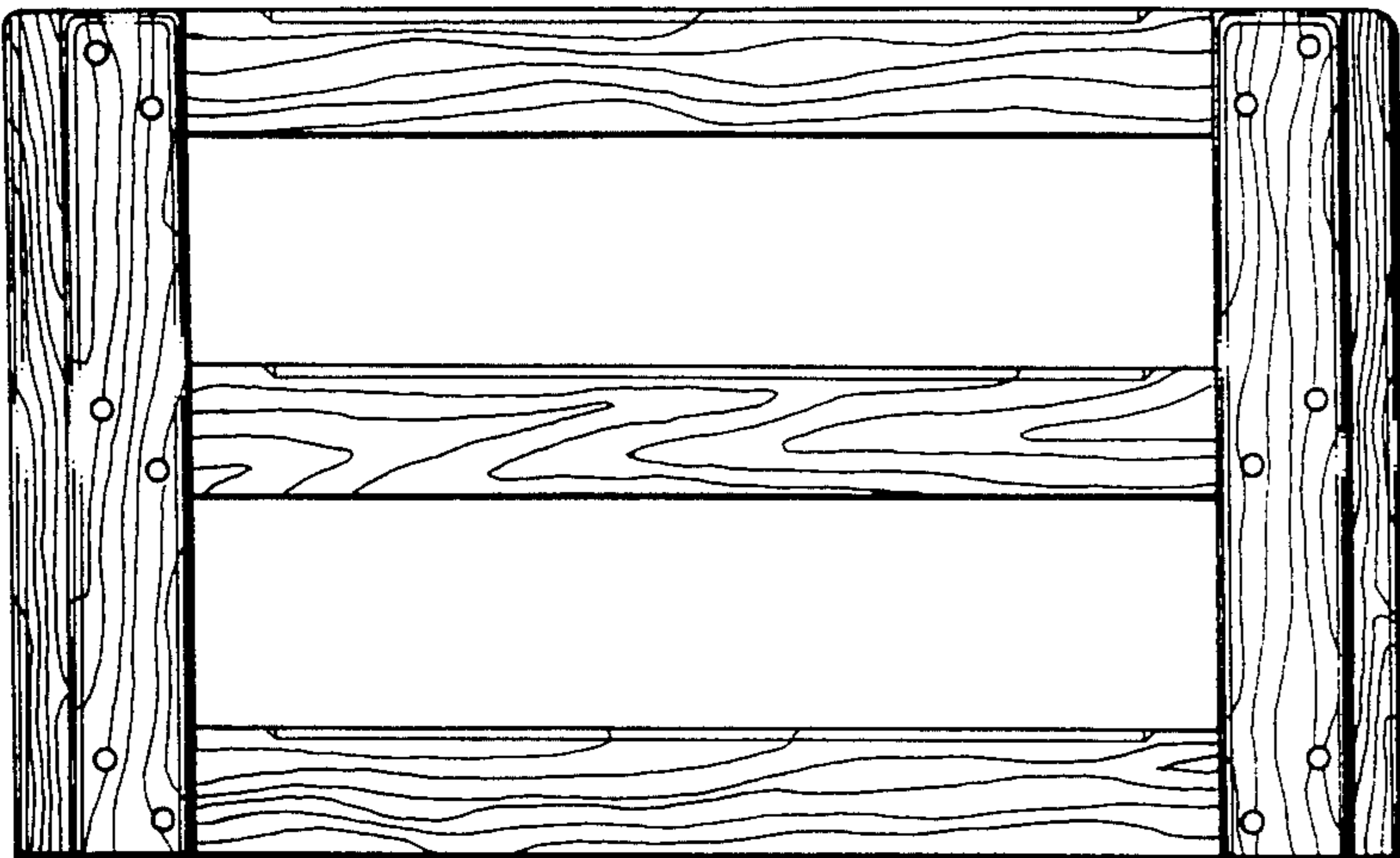


FIG 3

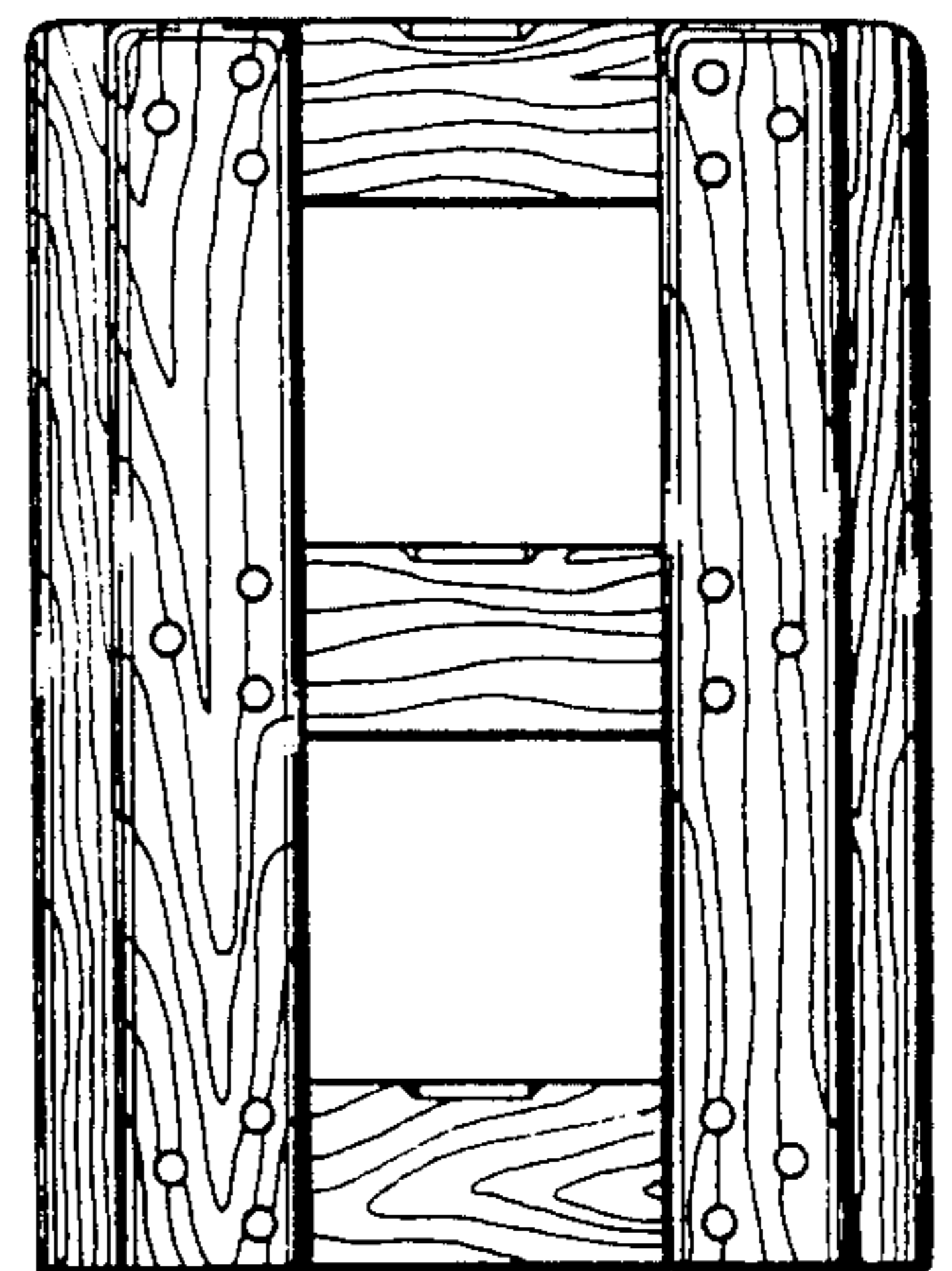


FIG 4

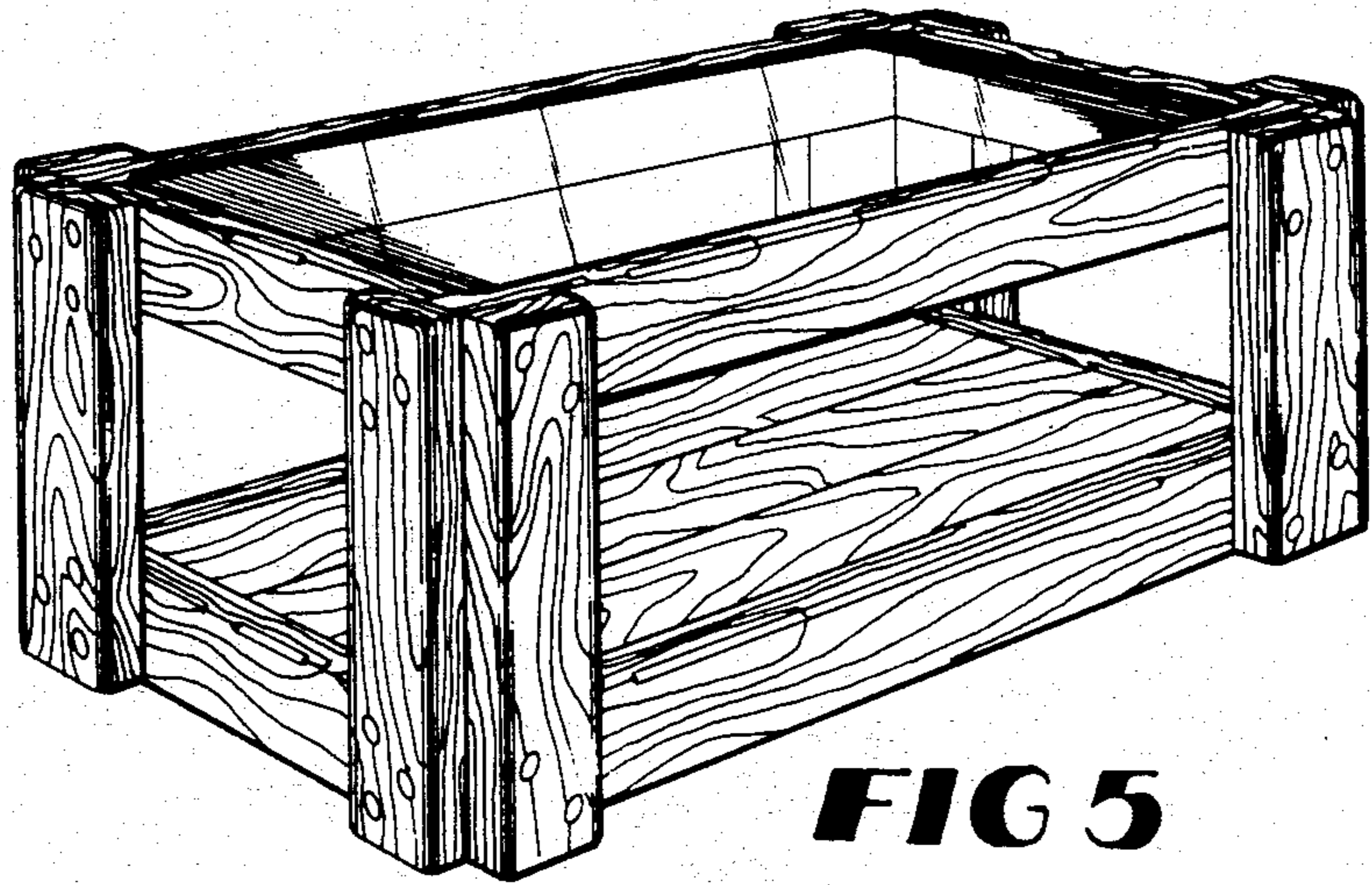


FIG 5

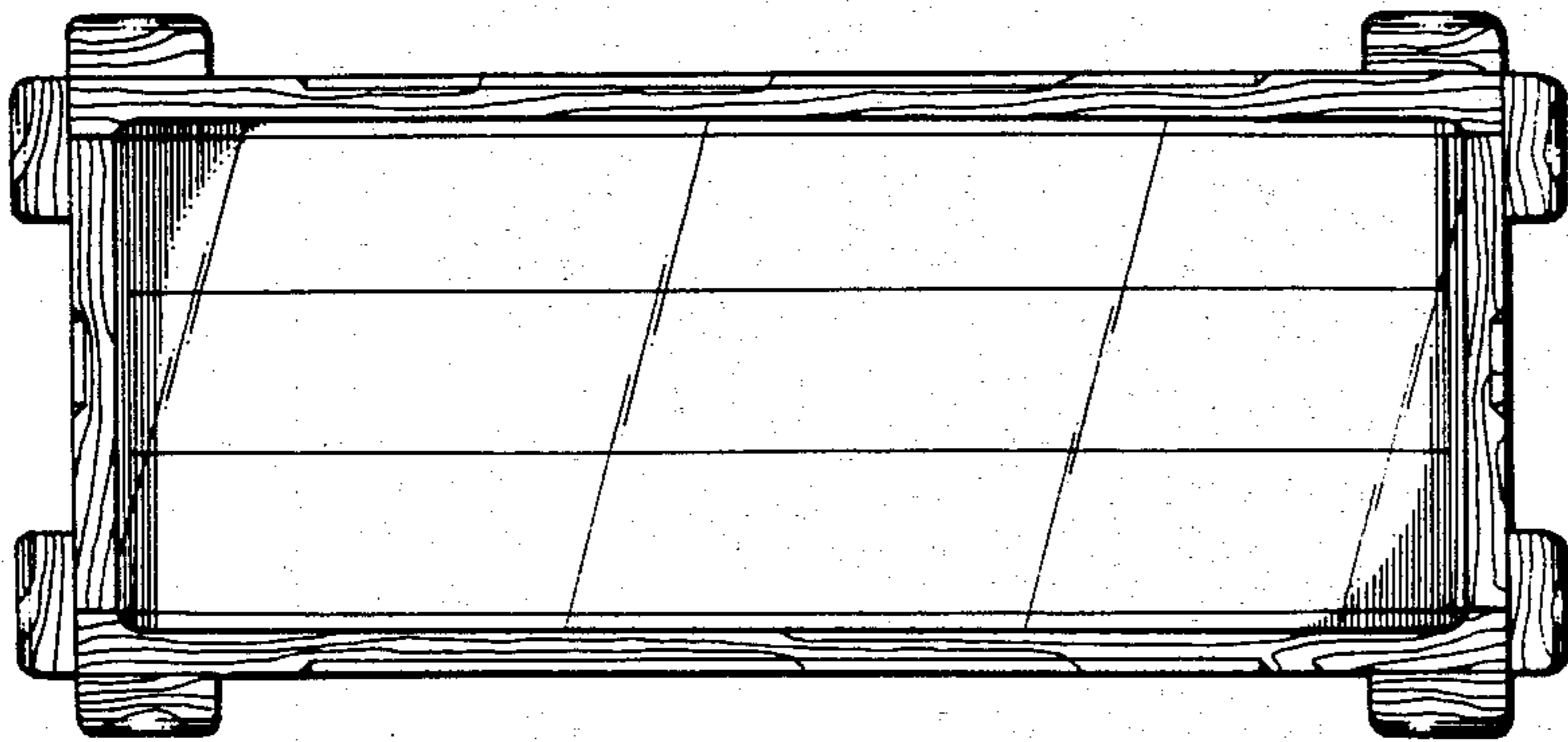


FIG 6

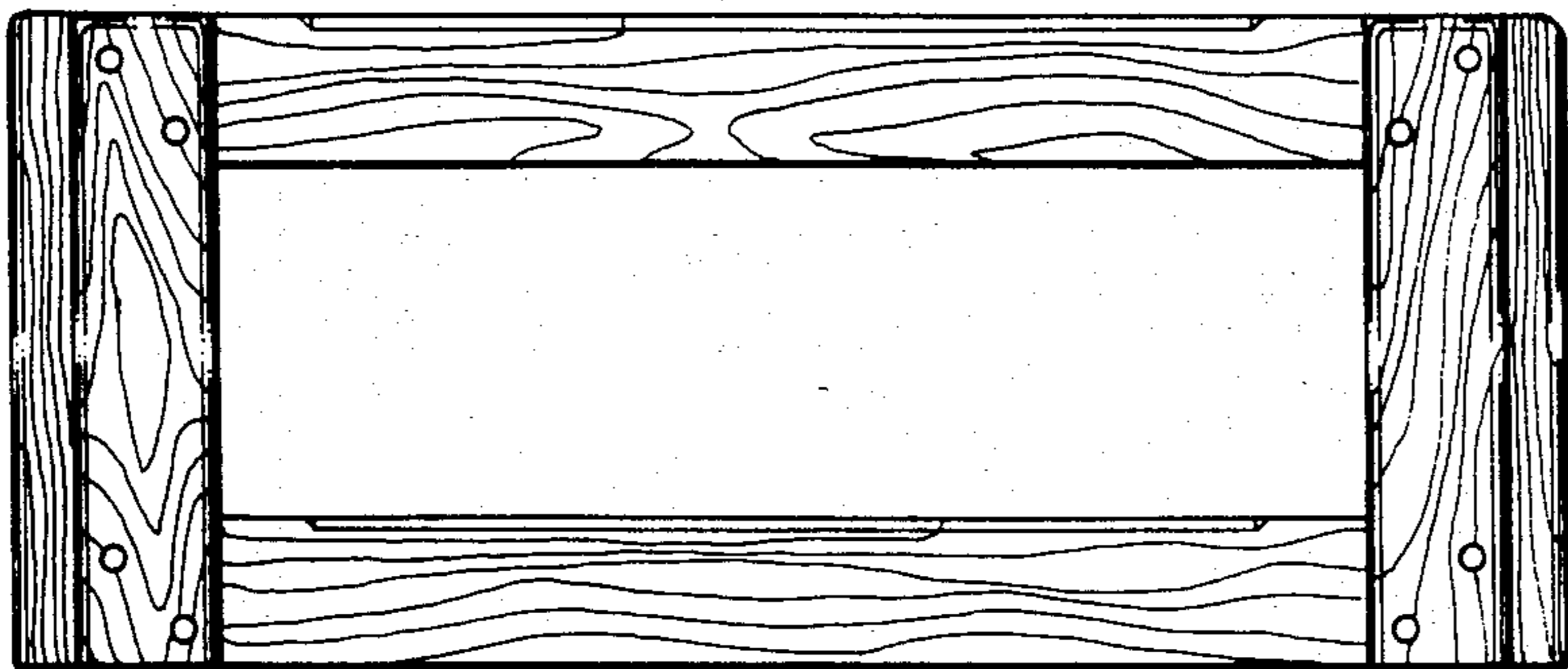


FIG 7

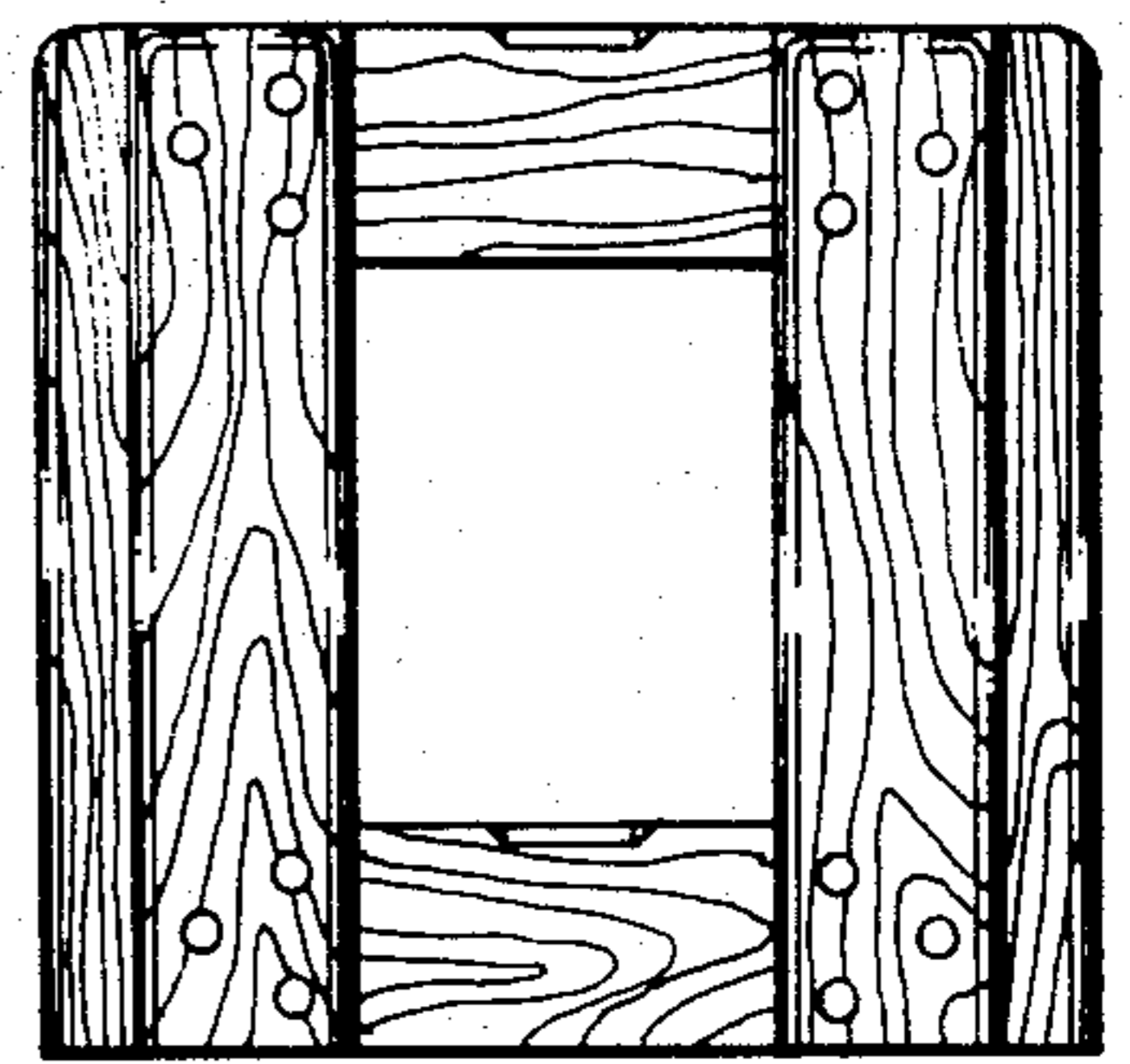


FIG 8