

United States Patent [19]

DeFuccio

[11] Patent Number: Des. 279,628

[45] Date of Patent: ** Jul. 16, 1985

[54] SEAT

[75] Inventor: Robert DeFuccio, Spinnerstown, Pa.

[73] Assignee: Simmons Universal Corporation,
New York, N.Y.

[**] Term: 14 Years

[21] Appl. No.: 476,083

[22] Filed: Mar. 17, 1983

[52] U.S. Cl. D6/370; D6/379;
D6/381

[58] Field of Search D6/334, 367, 369, 370,
D6/375, 376, 379, 380, 381

[56] References Cited

U.S. PATENT DOCUMENTS

D. 211,171 5/1968 Blier D6/379
D. 222,051 9/1971 Shannon D6/370 X
D. 242,886 1/1977 Potter D6/379

D. 248,431 7/1978 Costabile D6/379
D. 250,153 11/1978 Alpert D6/379

OTHER PUBLICATIONS

Interiors, Apr. 1974, p. 87, Chair top center.

Primary Examiner—Bruce W. Dunkins

Attorney, Agent, or Firm—A. Thomas Kammer

[57] CLAIM

The ornamental design for a seat, as shown and described.

DESCRIPTION

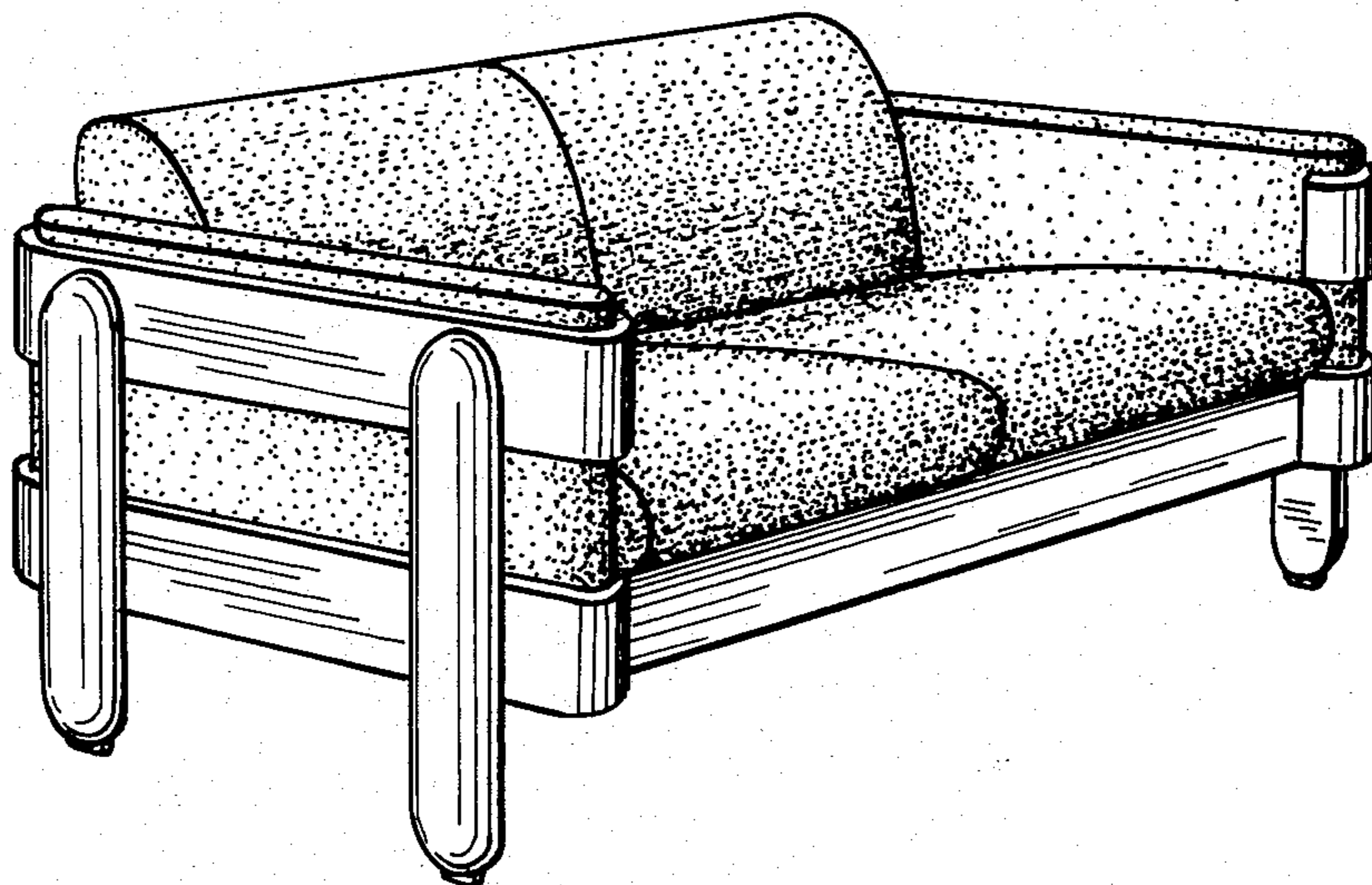
FIG. 1 is a front perspective view of a seat showing my new design in the form of a settee;

FIG. 2 is a side elevation view thereof;

FIG. 3 is a top view thereof;

FIG. 4 is a rear elevation view thereof; and

FIG. 5 is a front perspective view of the seat shown in the form of a sofa.



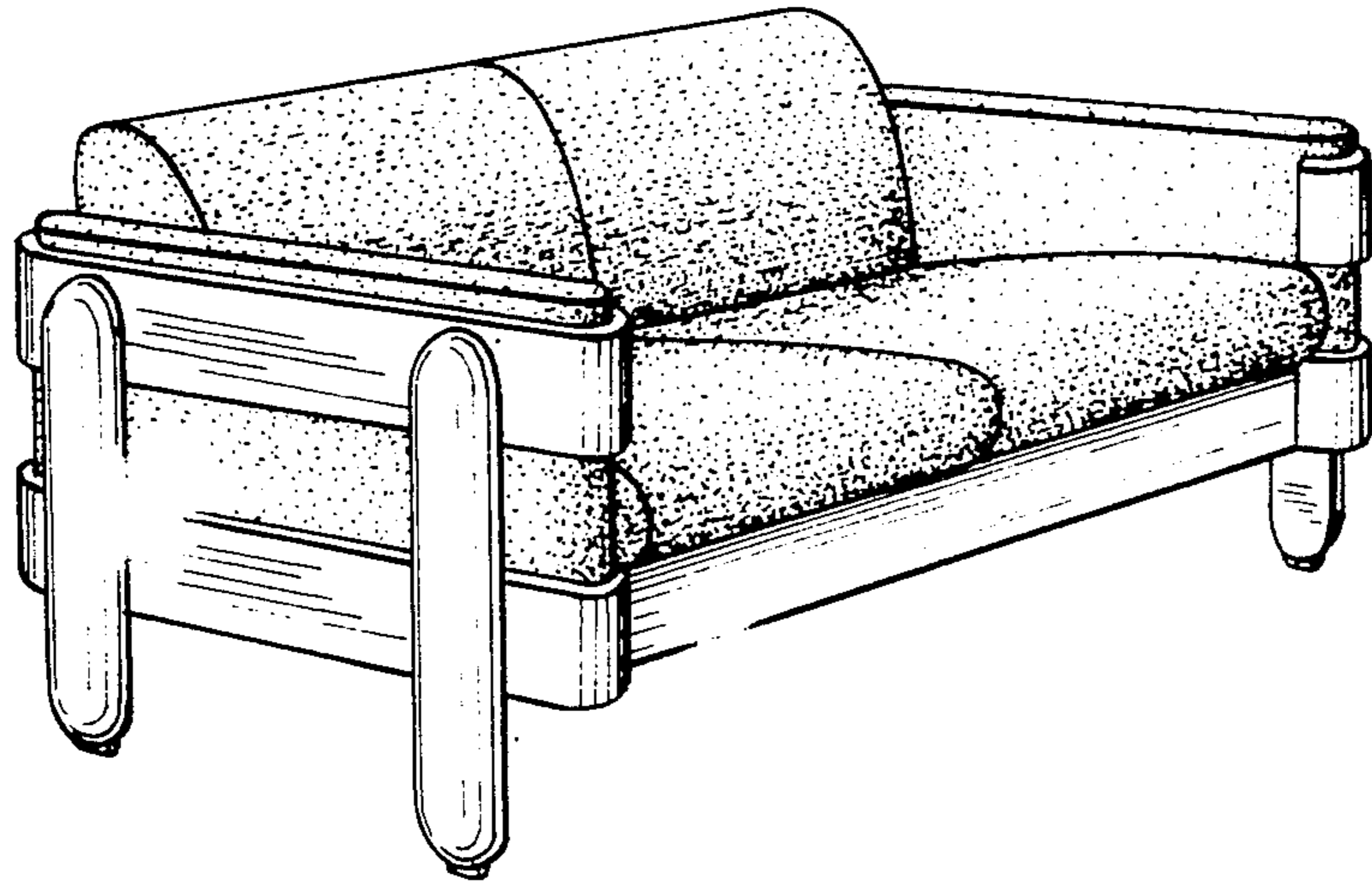


FIG. 1

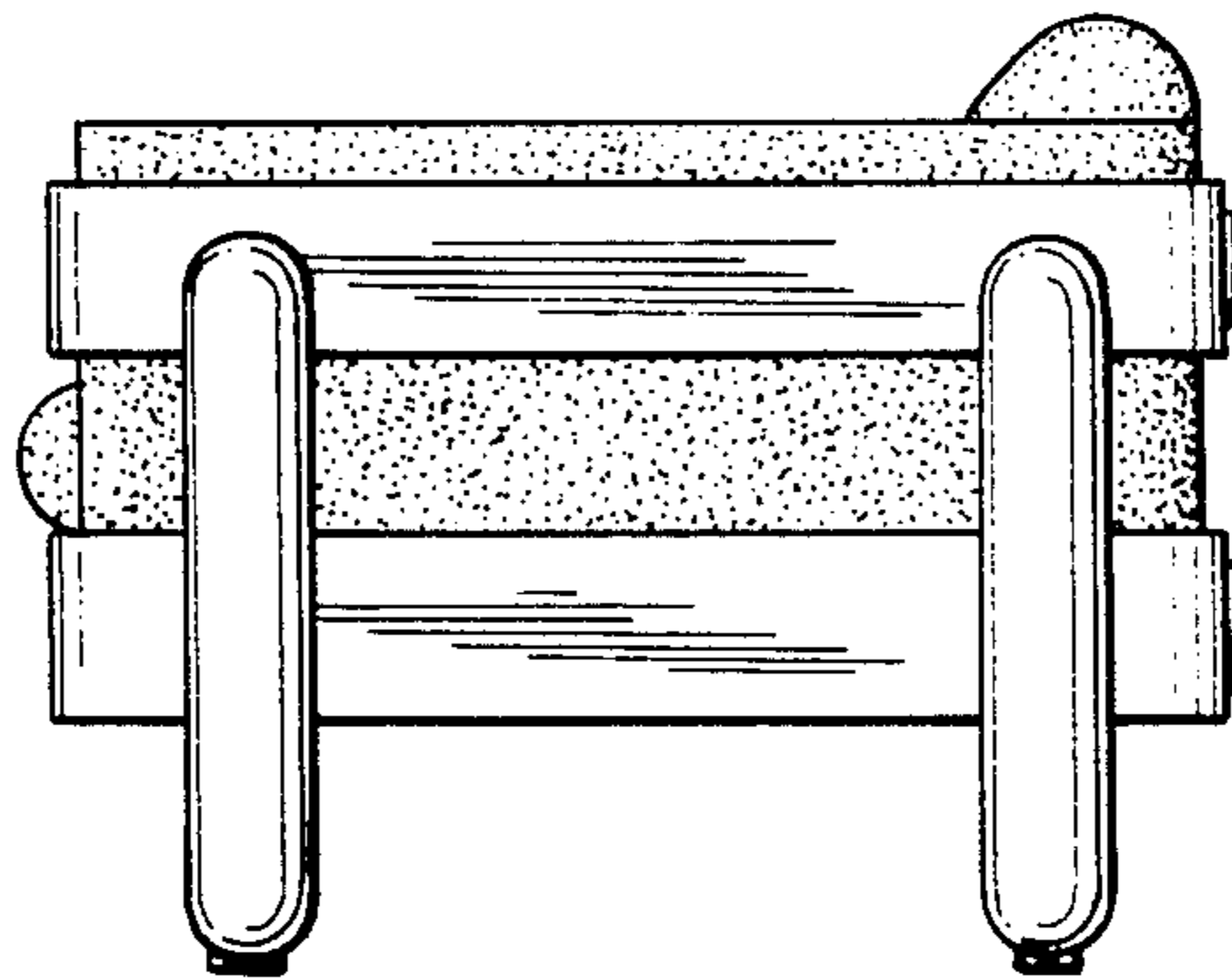


FIG. 2

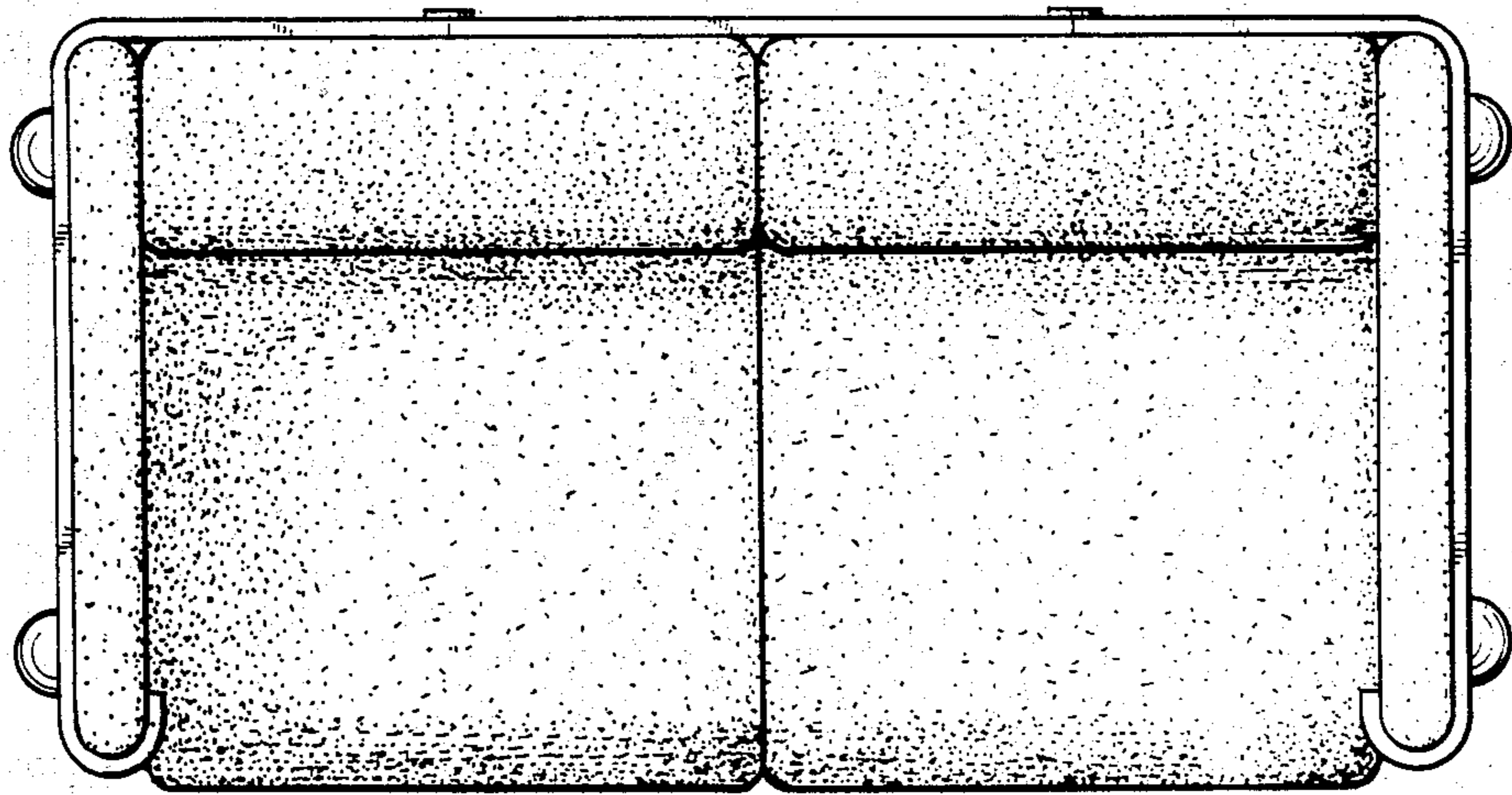


FIG. 3

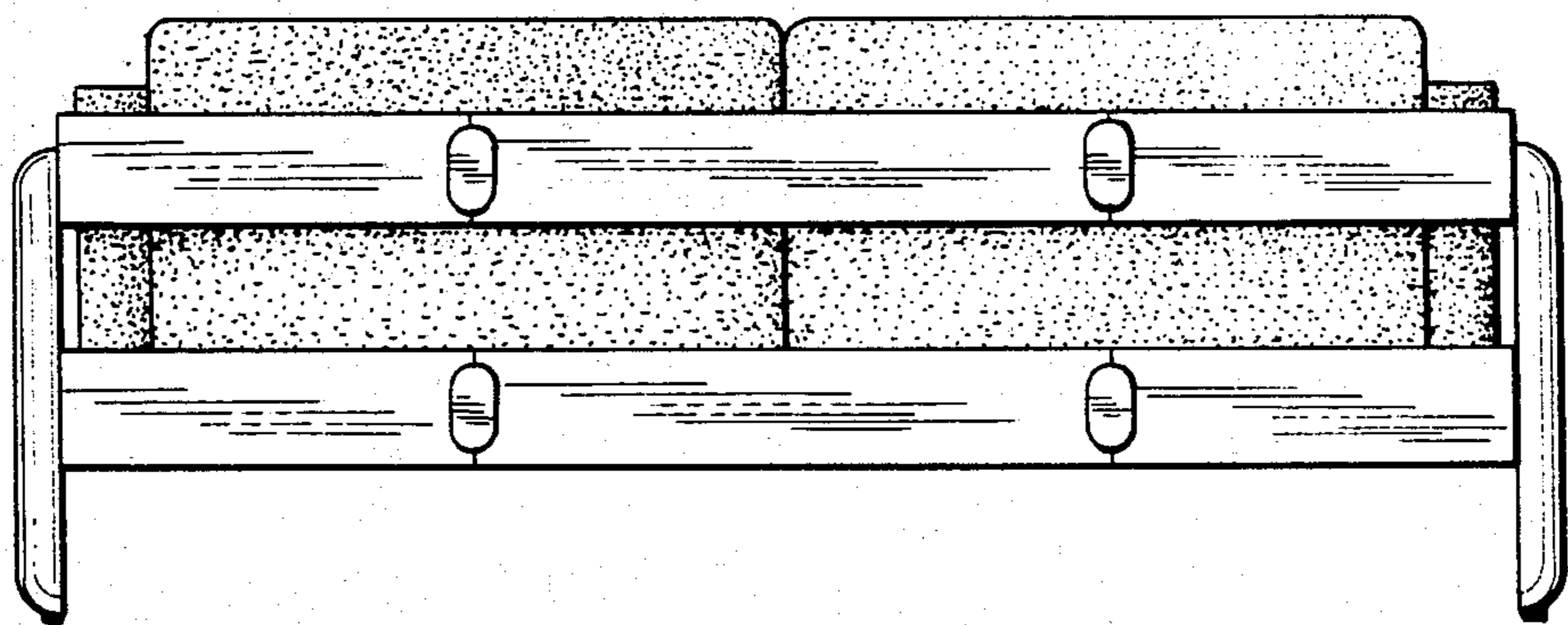


FIG. 4

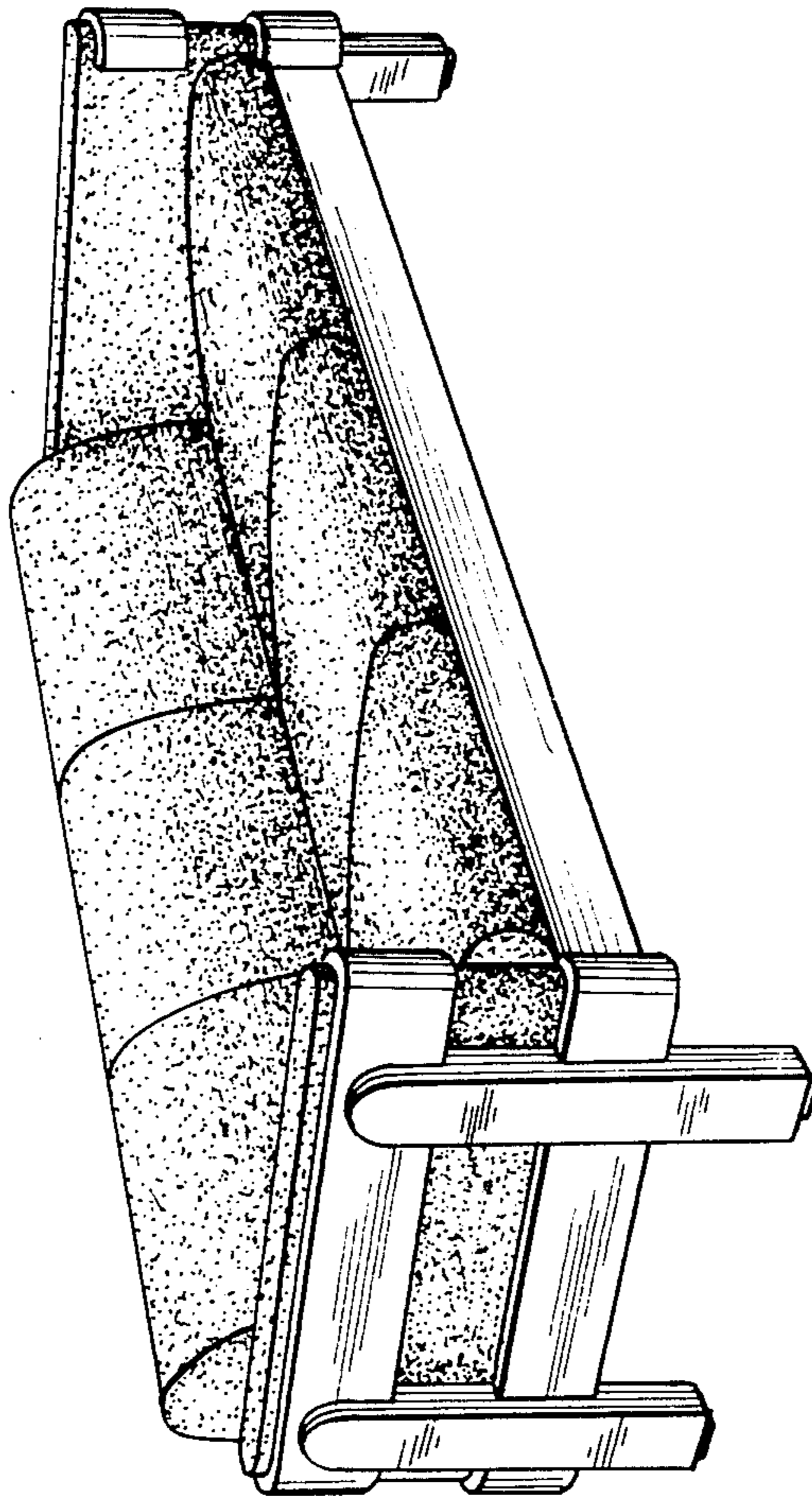


FIG. 5