

[54] COMBINED ELECTRIC SCRUB BRUSH AND STORAGE BASE THEREFOR

[75] Inventor: Don R. McCloskey, Trappe, Md.

[73] Assignee: Black & Decker, Inc., Newark, Del.

[\*\*] Term: 14 Years

[21] Appl. No.: 408,101

[22] Filed: Aug. 13, 1982

[52] U.S. Cl. .... D4/100

[58] Field of Search ..... 15/21 R, 21 E, 22 R, 15/22 A, 22 B, 23, 24, 28, 29, 49 R, 50 R, 97 R, 97 A; D4/1, 3, 10-12, 14, 16; D32/1, 17-20

[56] References Cited

U.S. PATENT DOCUMENTS

D. 219,790	1/1971	Rhodes	.....	D32/17
D. 259,076	5/1981	Doyel	.....	D4/14
D. 262,257	12/1981	Sohn	.....	D32/17
3,171,994	3/1965	Freedman et al.	.	
3,378,869	4/1968	Schwartz	.	
3,932,908	1/1976	Bitgood et al.	.....	15/28
4,005,502	2/1977	Stevens	.	
4,027,348	6/1977	Flowers et al.	.	
4,052,766	10/1977	Morrison	.	
4,158,246	6/1979	Meadows et al.	.	
4,168,560	9/1979	Doyel	.	

FOREIGN PATENT DOCUMENTS

1340656 12/1973 United Kingdom ..... 15/22 R

Primary Examiner—Catherine E. Kemper  
Attorney, Agent, or Firm—Paul J. Lerner

[57] CLAIM

The ornamental design for a combined electric scrub

brush and storage base therefor, as shown and described.

DESCRIPTION

FIG. 1 is a perspective view of a combined electric scrub brush and storage base therefor, showing my new design and shown without the storage base for clarity; FIG. 2 is a side elevational view thereof; FIG. 3 is an elevational view of the opposite side thereof; FIG. 4 is a top plan view thereof; FIG. 5 is a bottom plan view thereof; FIG. 6 is a front elevational view thereof; FIG. 7 is a rear elevational view thereof; FIG. 8 is a side elevational view of the scrub brush with an alternate brush attachment in place; FIG. 9 is a bottom plan view thereof; FIG. 10 is a side elevational view of the scrub brush without a brush attachment in place; FIG. 11 is an enlarged partial side elevational view thereof; FIG. 12 is a front elevational view thereof; FIG. 13 is an enlarged partial front elevational view thereof; FIG. 14 is a bottom plan view of the device as shown in FIG. 10; FIG. 15 is an enlarged partial bottom plan view of the device as shown in FIG. 10; FIG. 16 is a perspective view of the entire combined electric scrub brush and storage base therefor, shown with the scrub brush mounted in the storage base; FIG. 17 is a perspective view of the storage base; FIG. 18 is a side elevational view of the storage base; FIG. 19 is an elevational view of the opposite side thereof; FIG. 20 is a top plan view thereof; FIG. 21 is a bottom plan view thereof; FIG. 22 is a front perspective view thereof; FIG. 23 is a rear perspective view thereof.

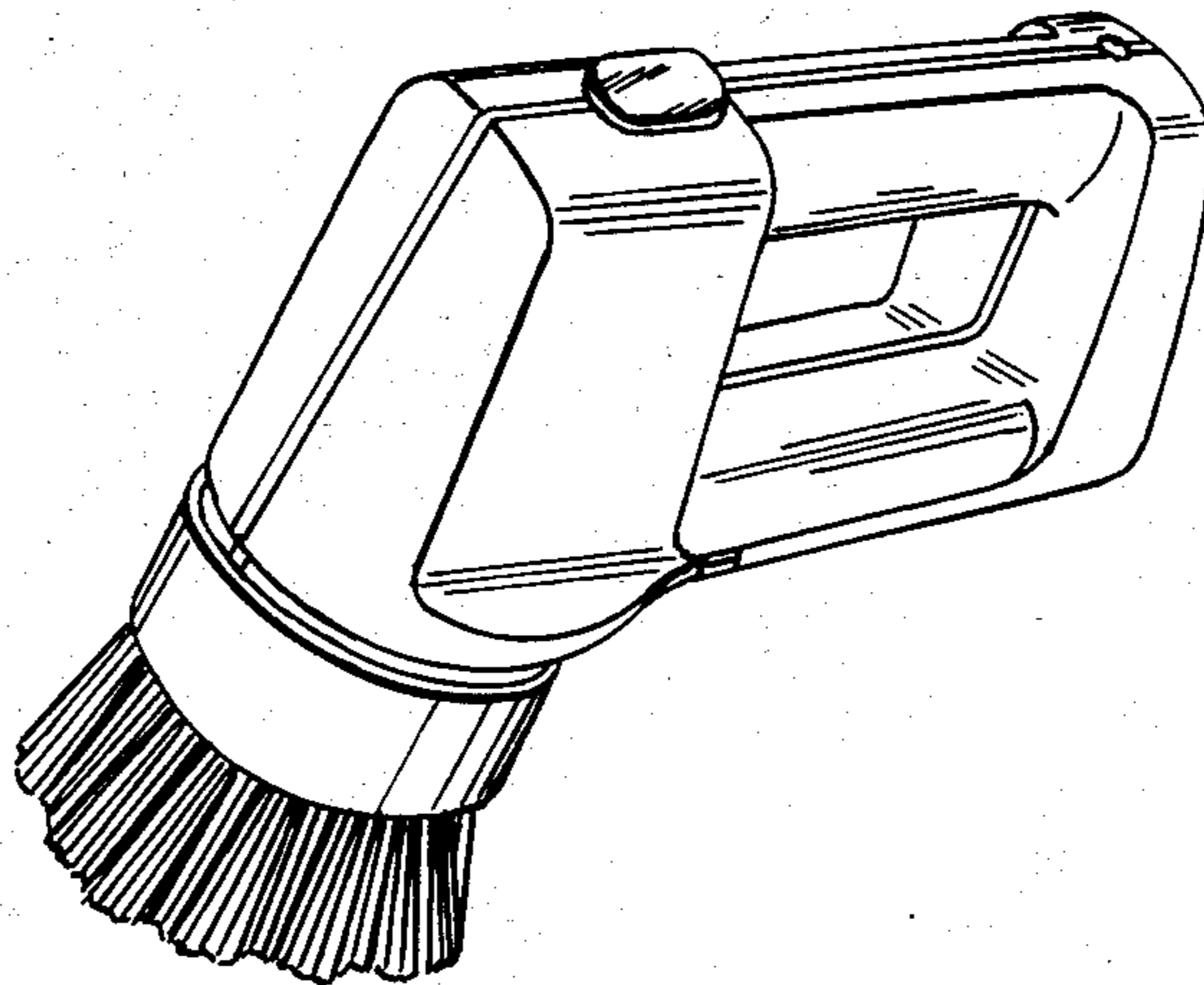


FIG. 2

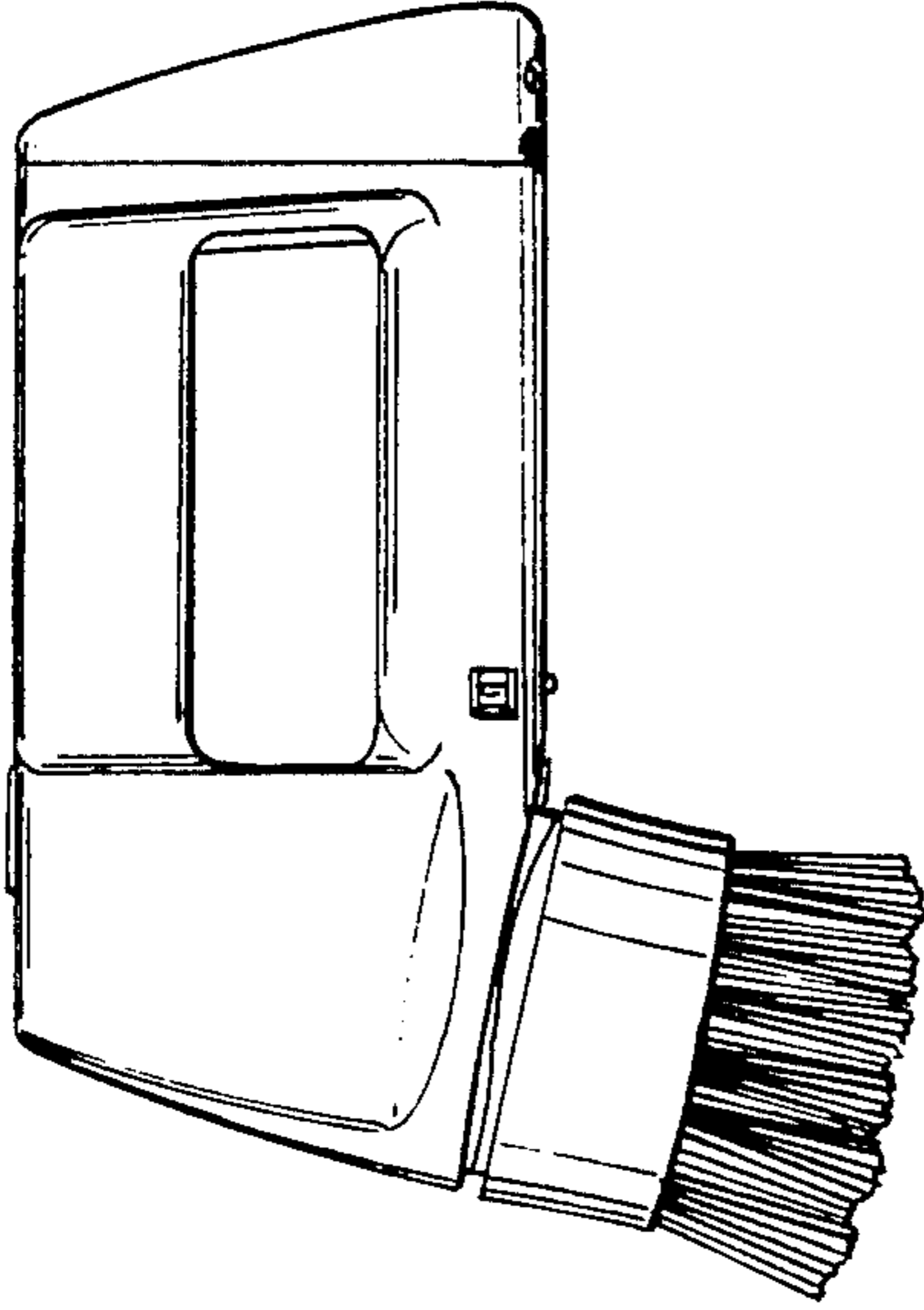


FIG. 4

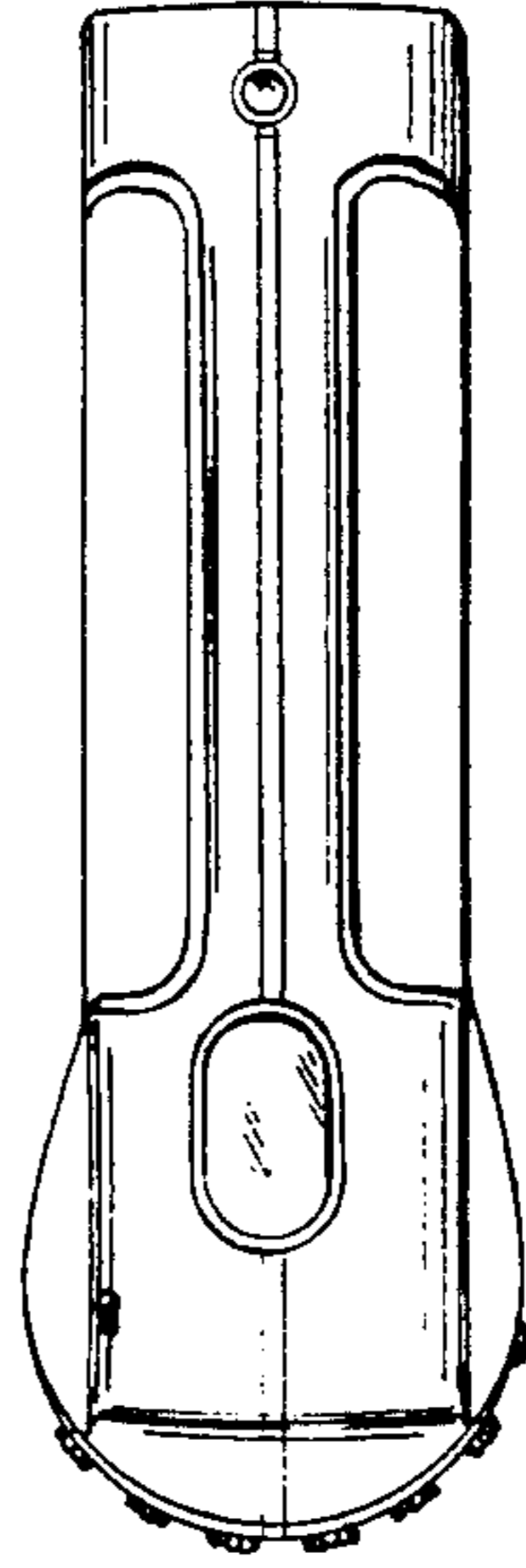


FIG. 1

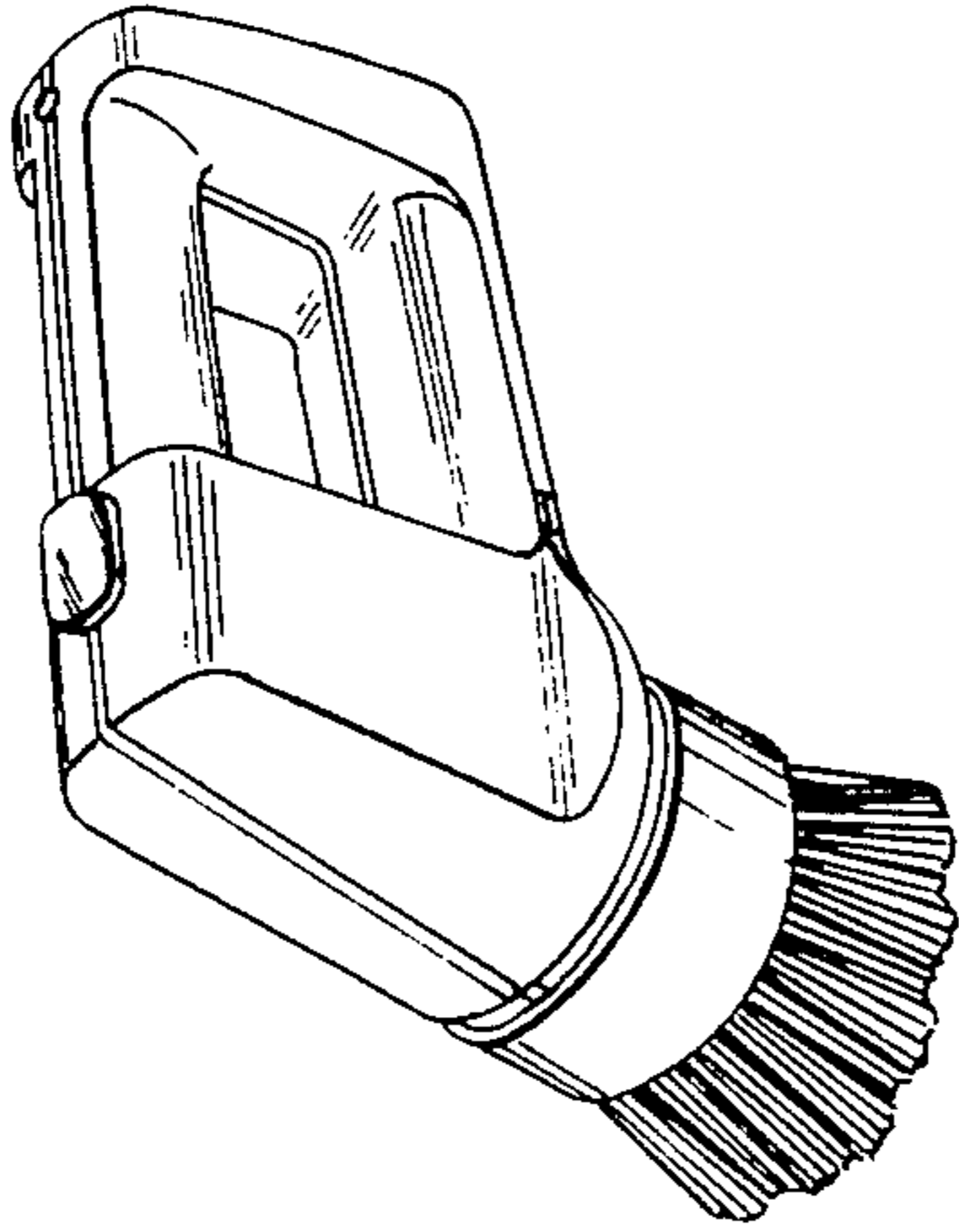


FIG. 3

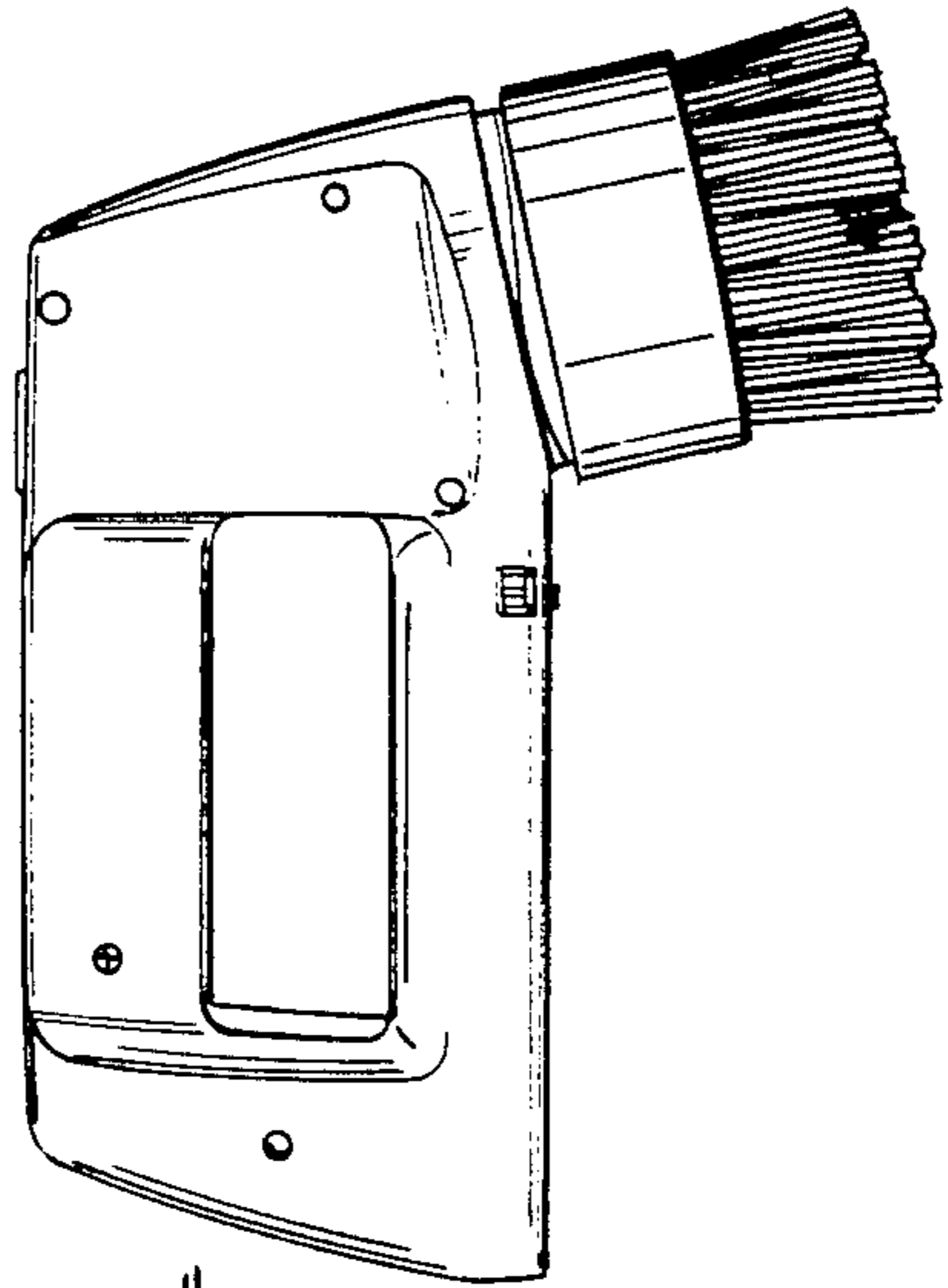


FIG. 6

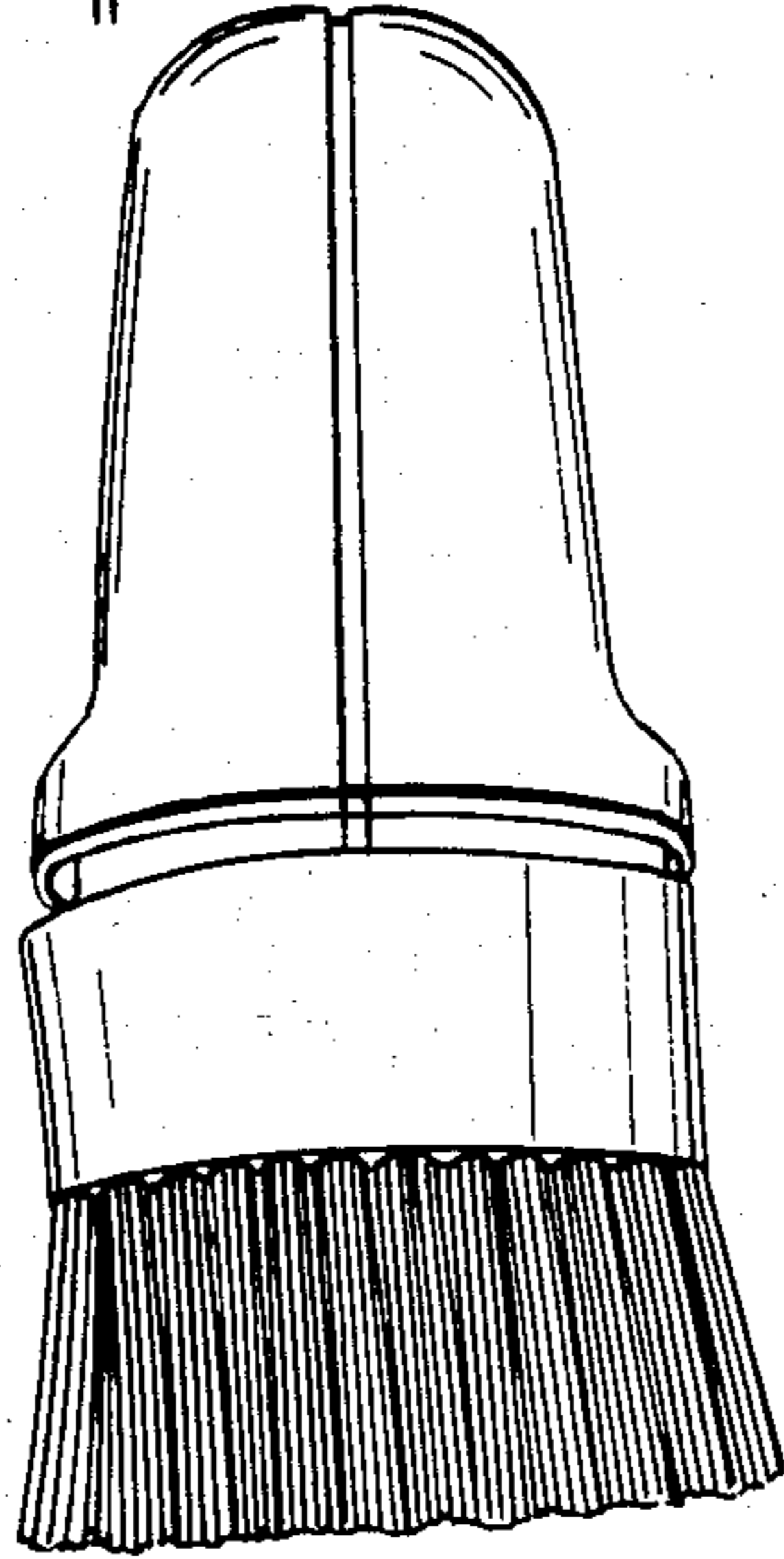


FIG. 8

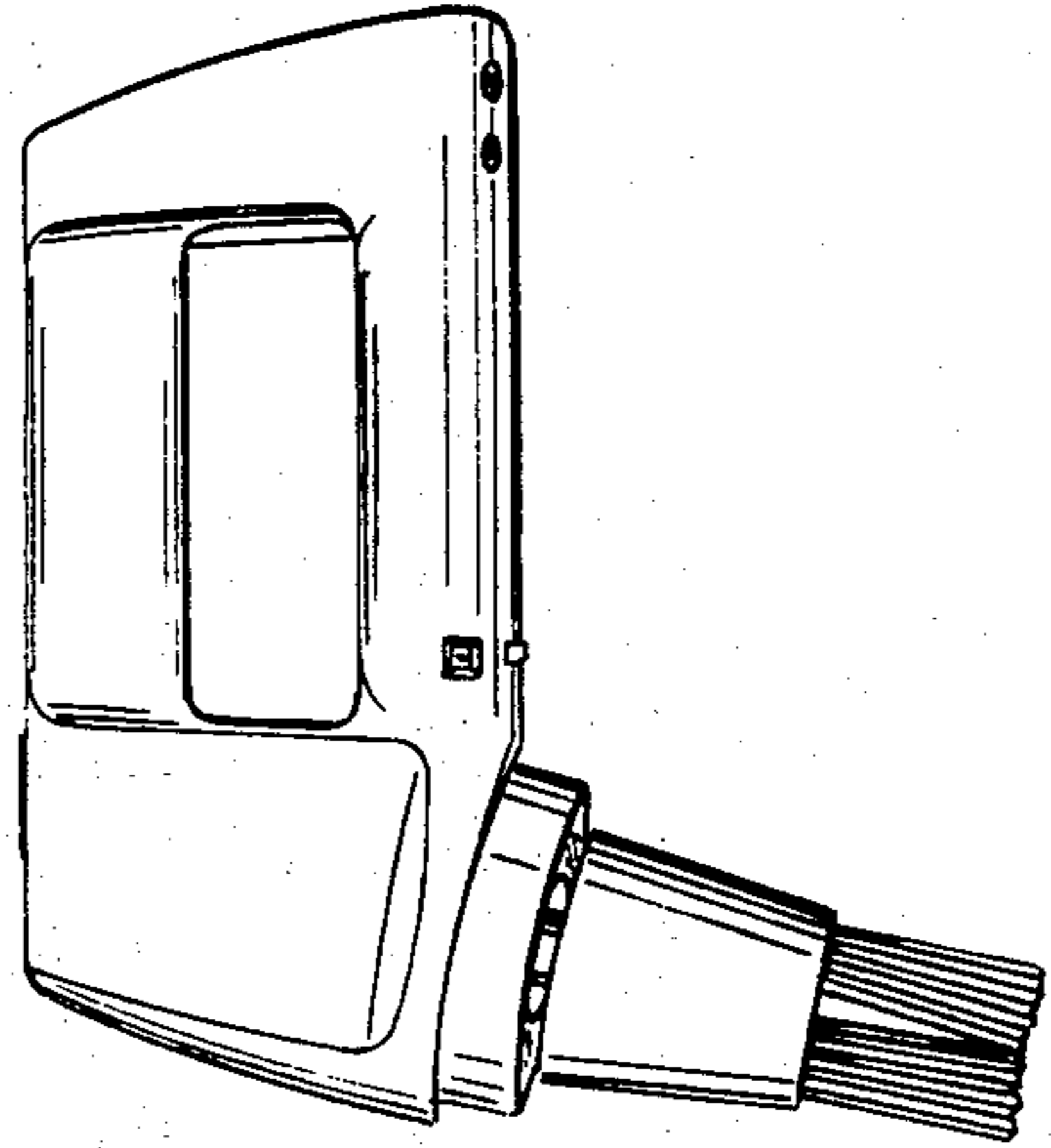


FIG. 5

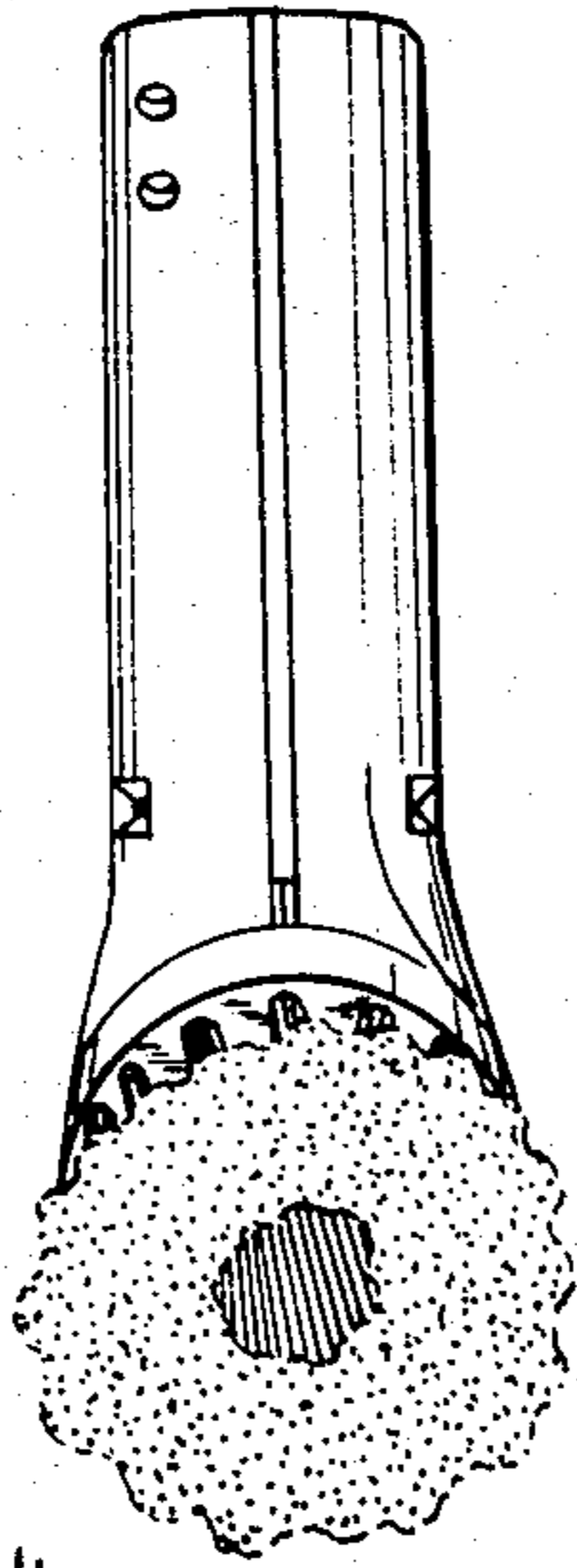
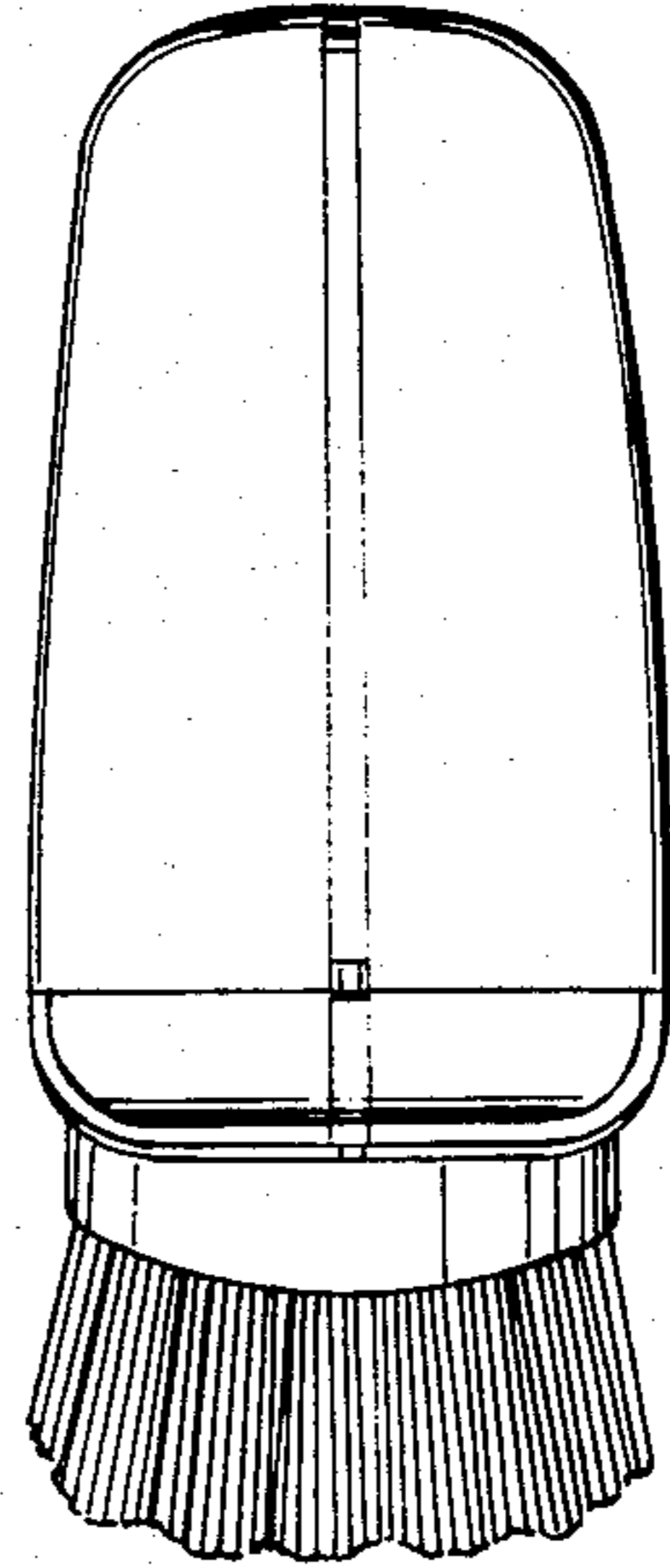


FIG. 7



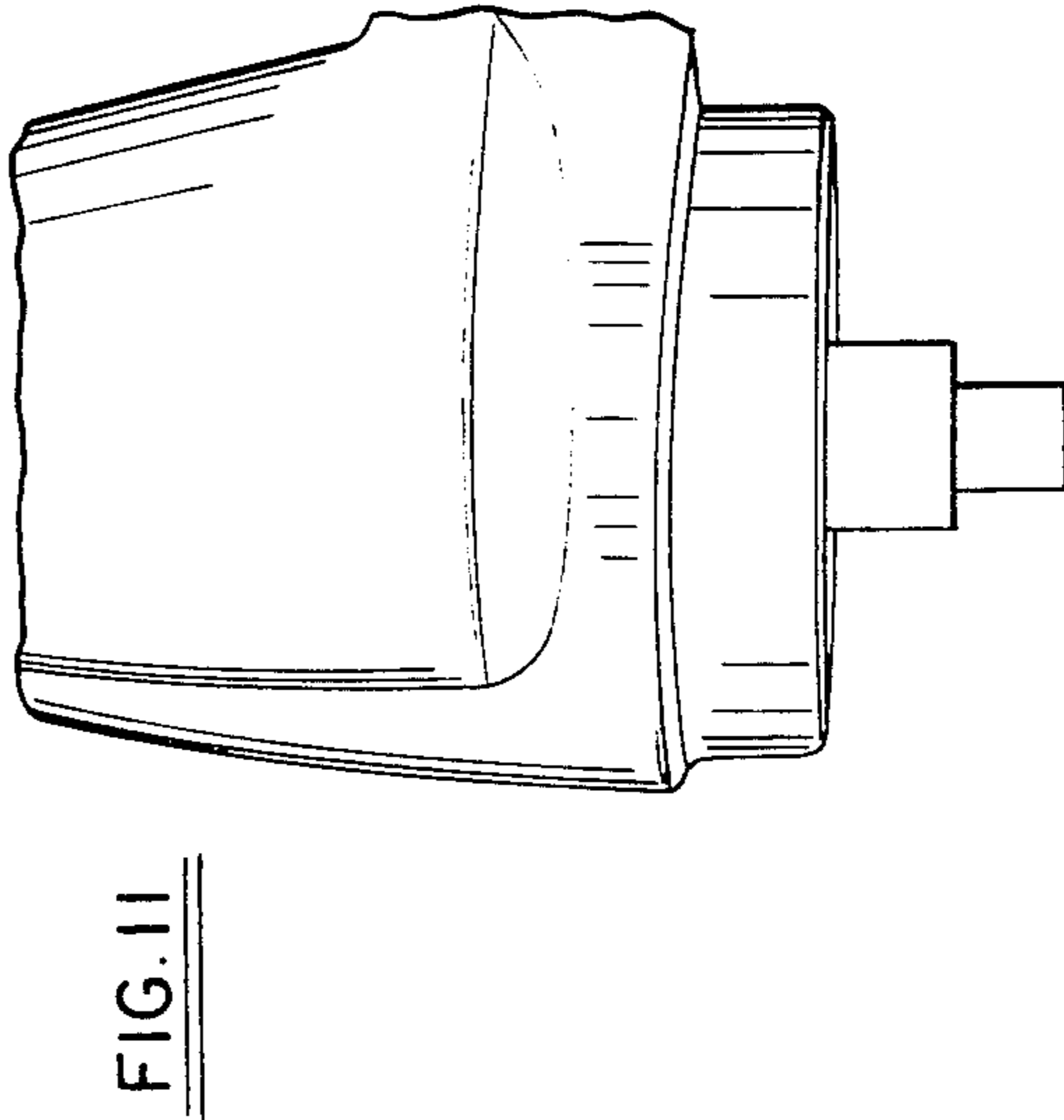
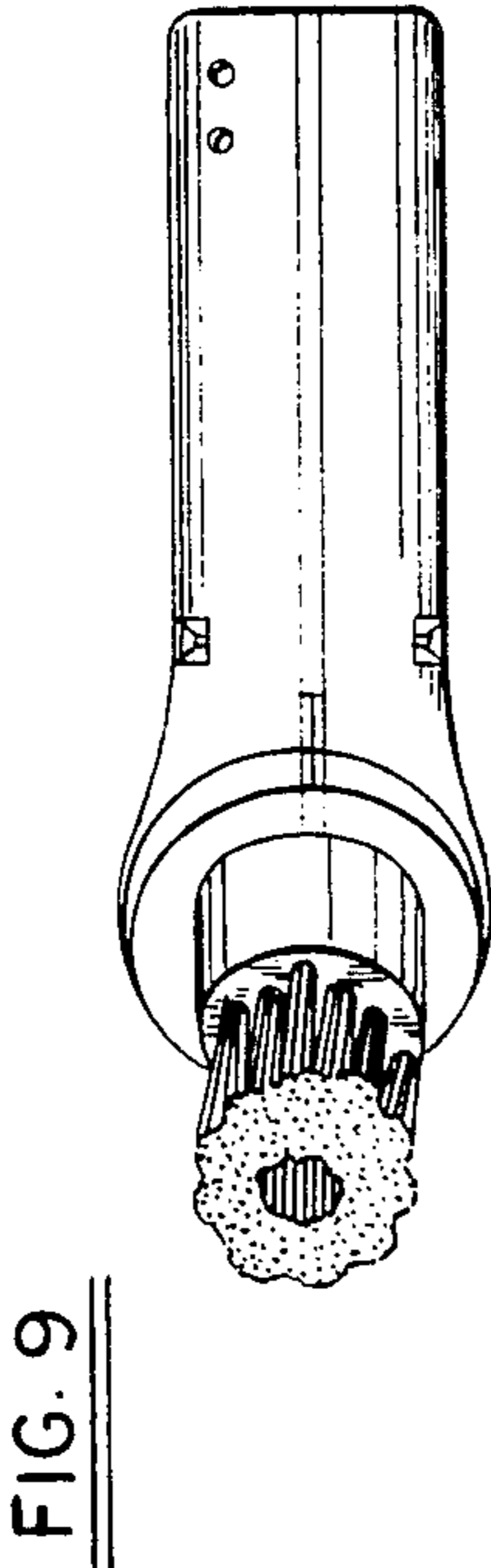
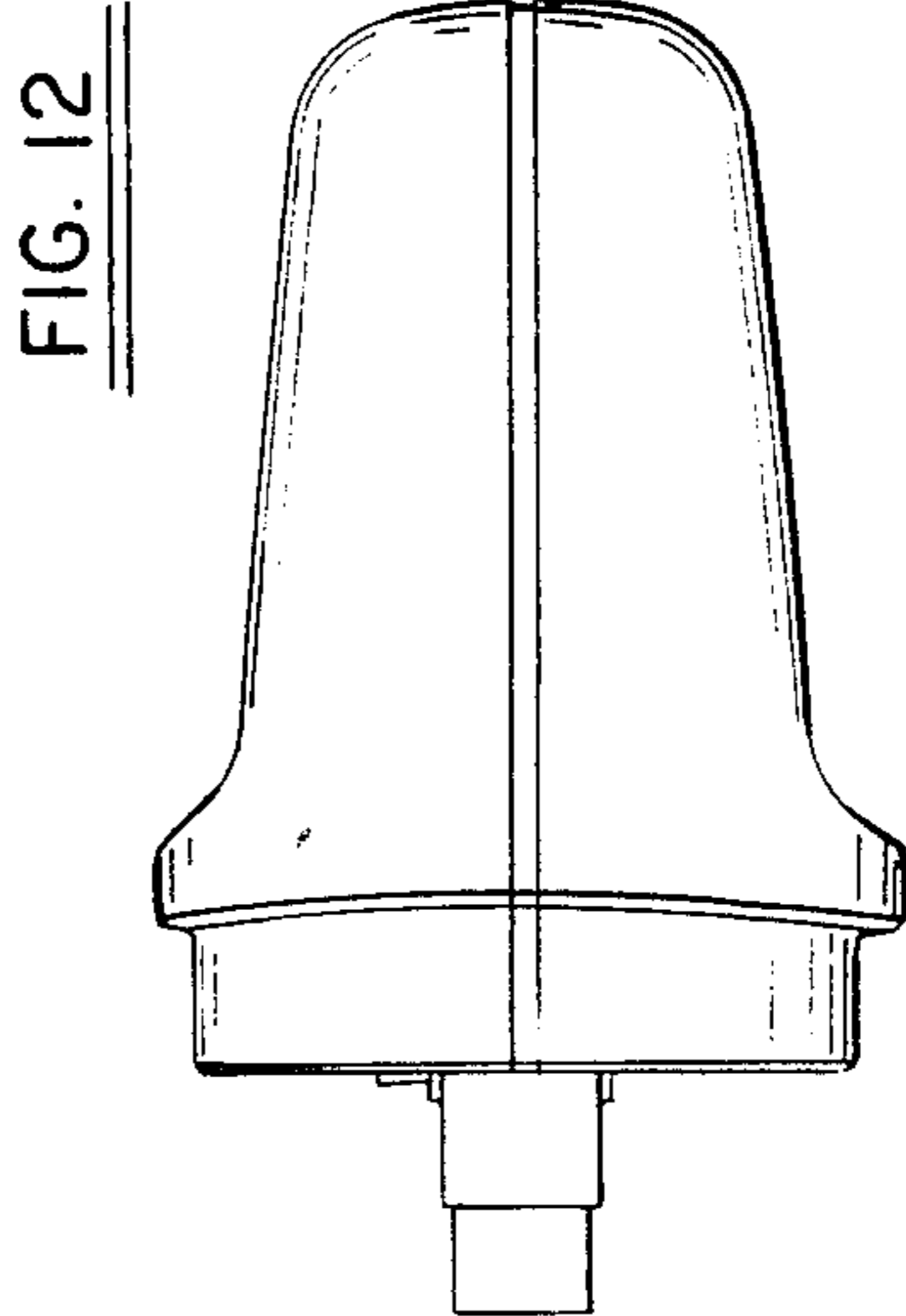
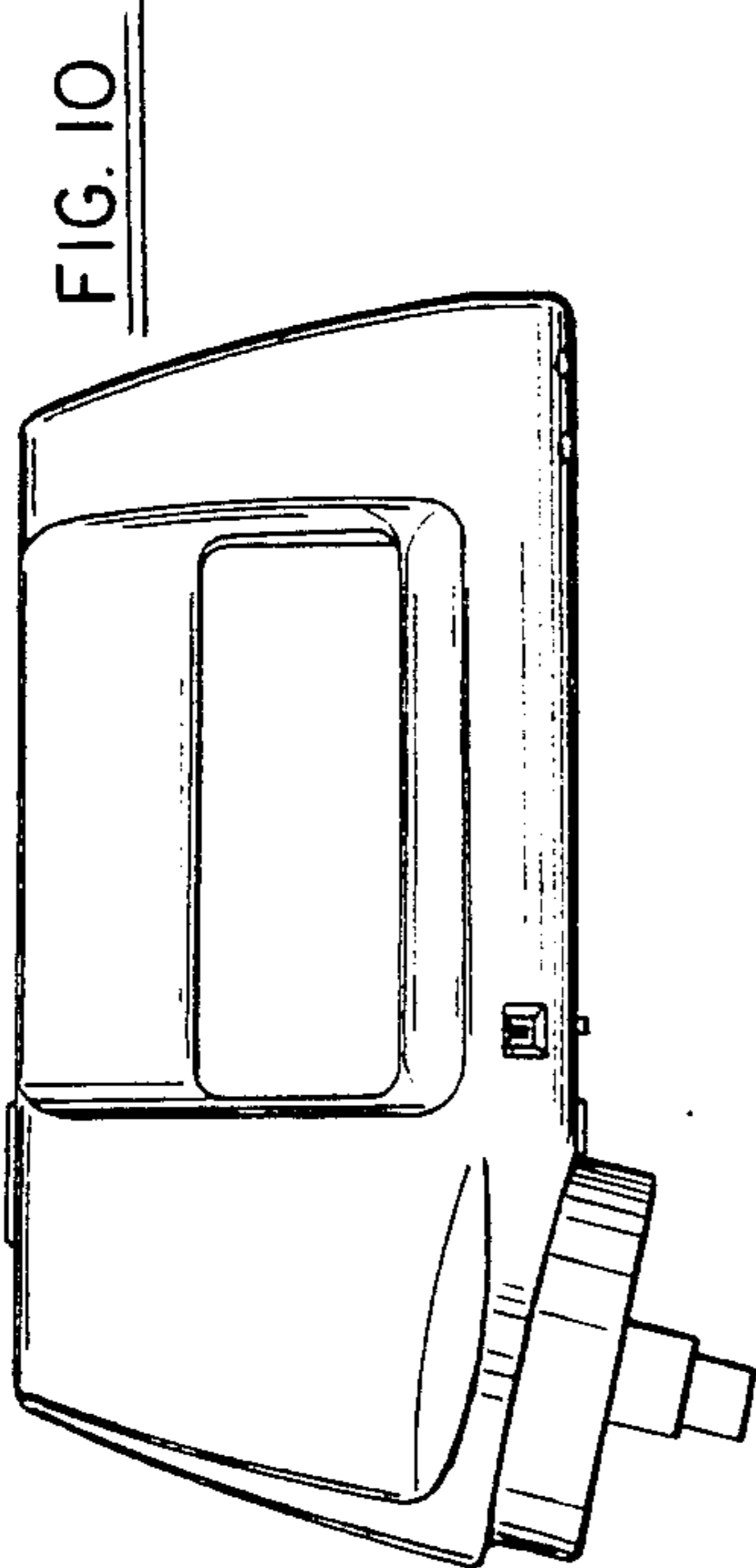


FIG. 14

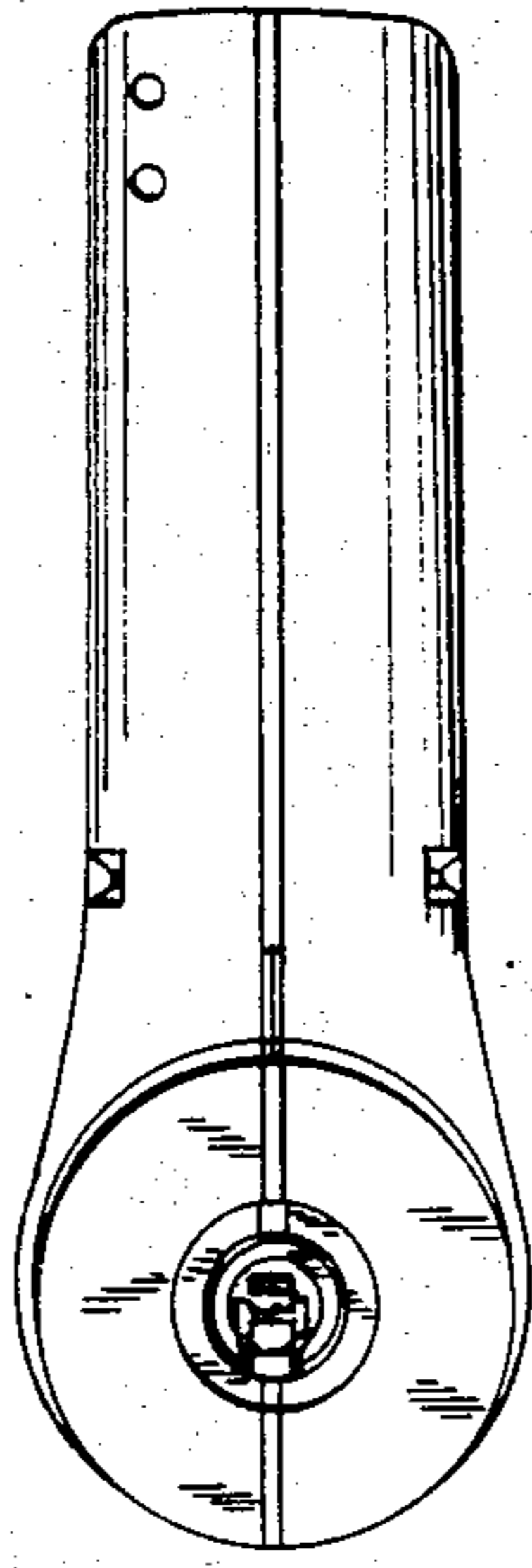


FIG. 16

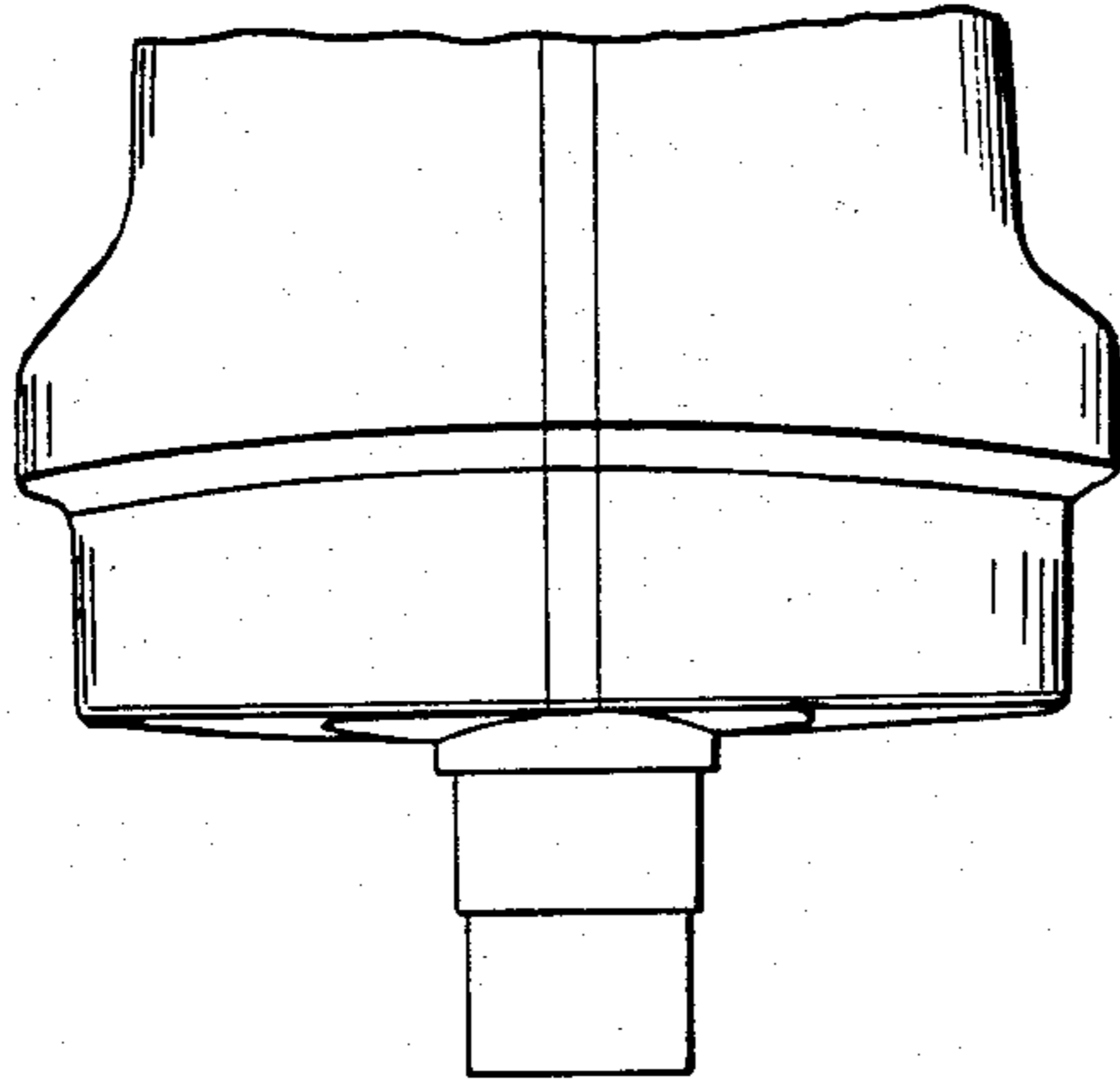
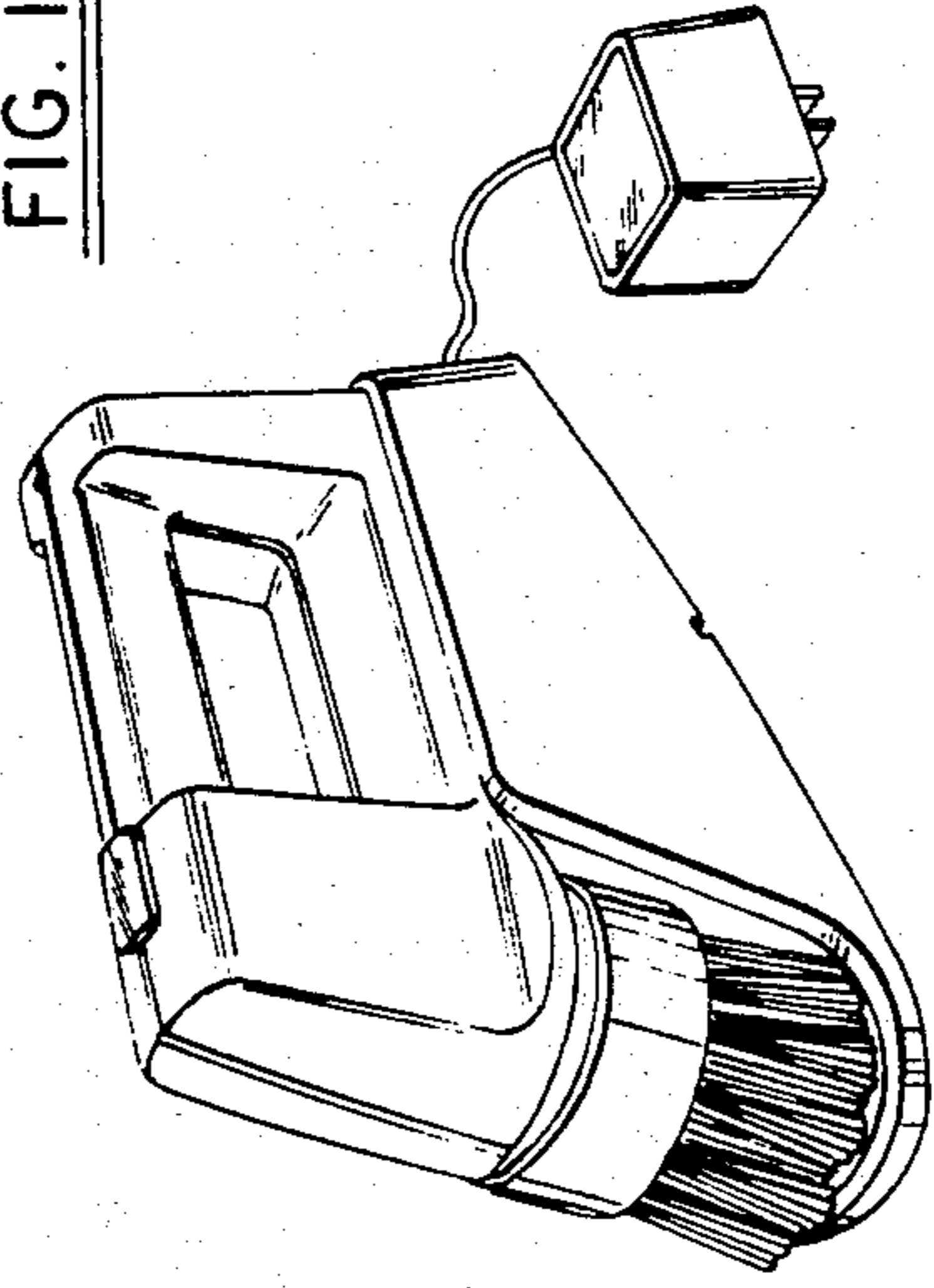


FIG. 13

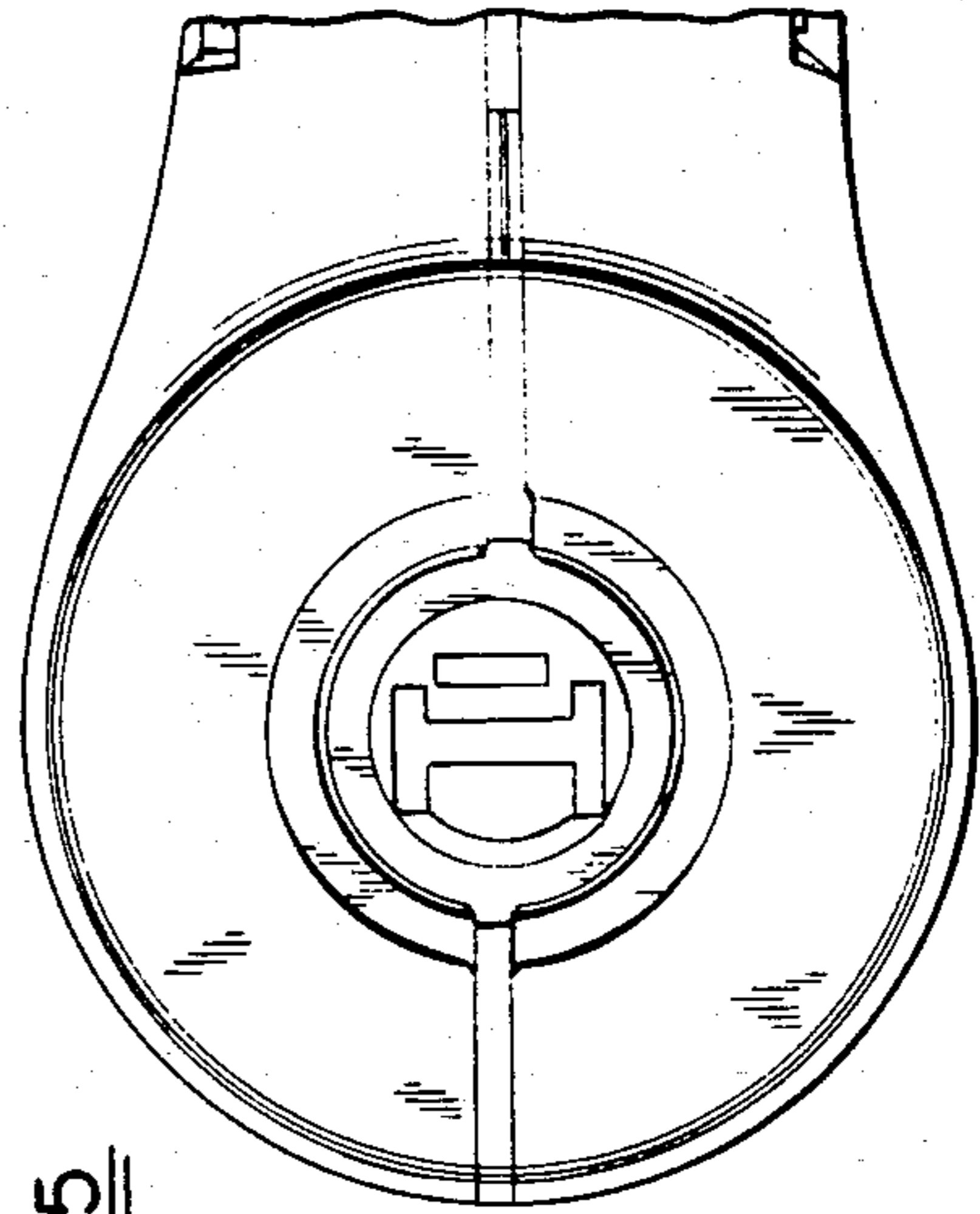
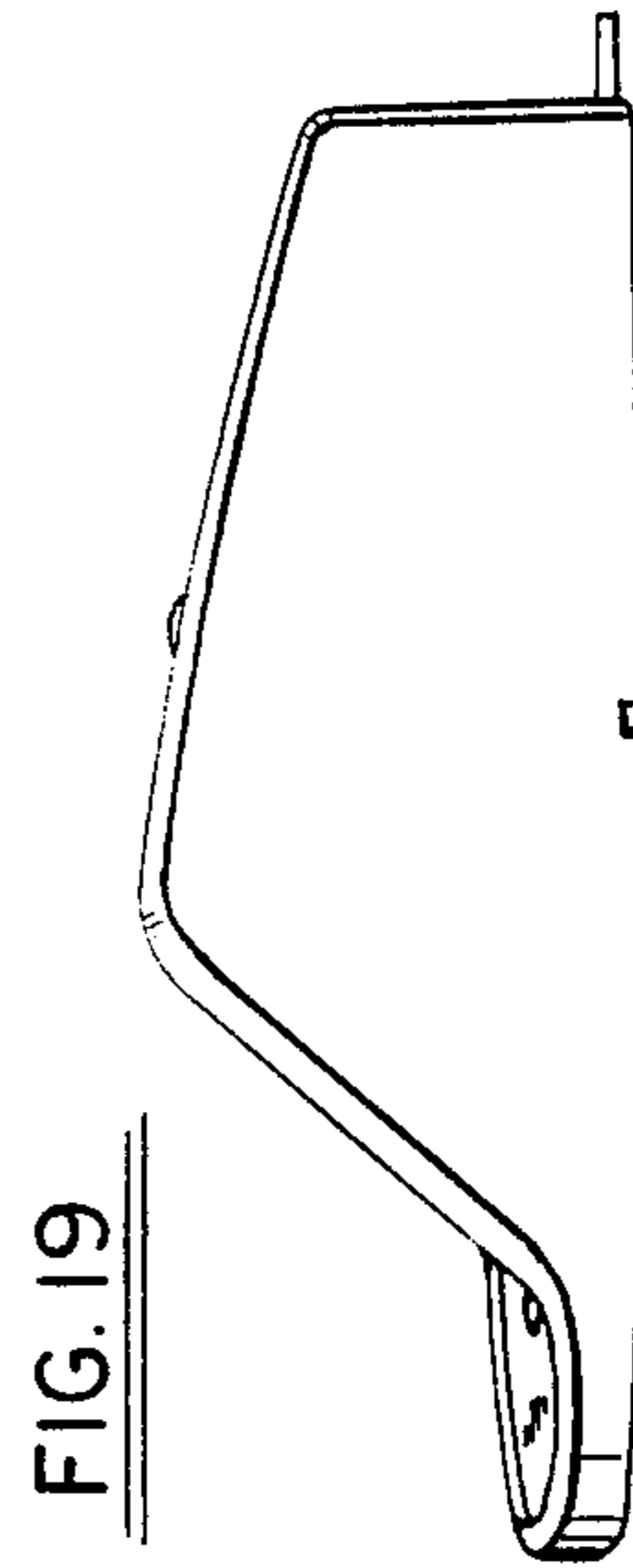
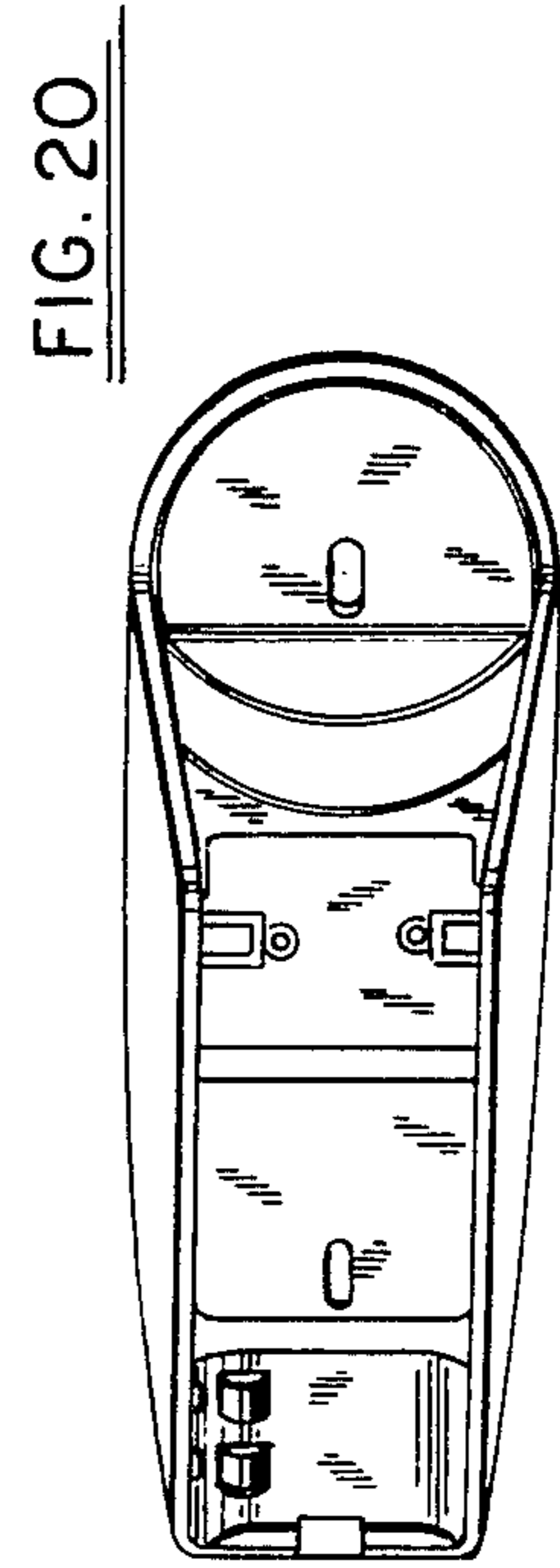
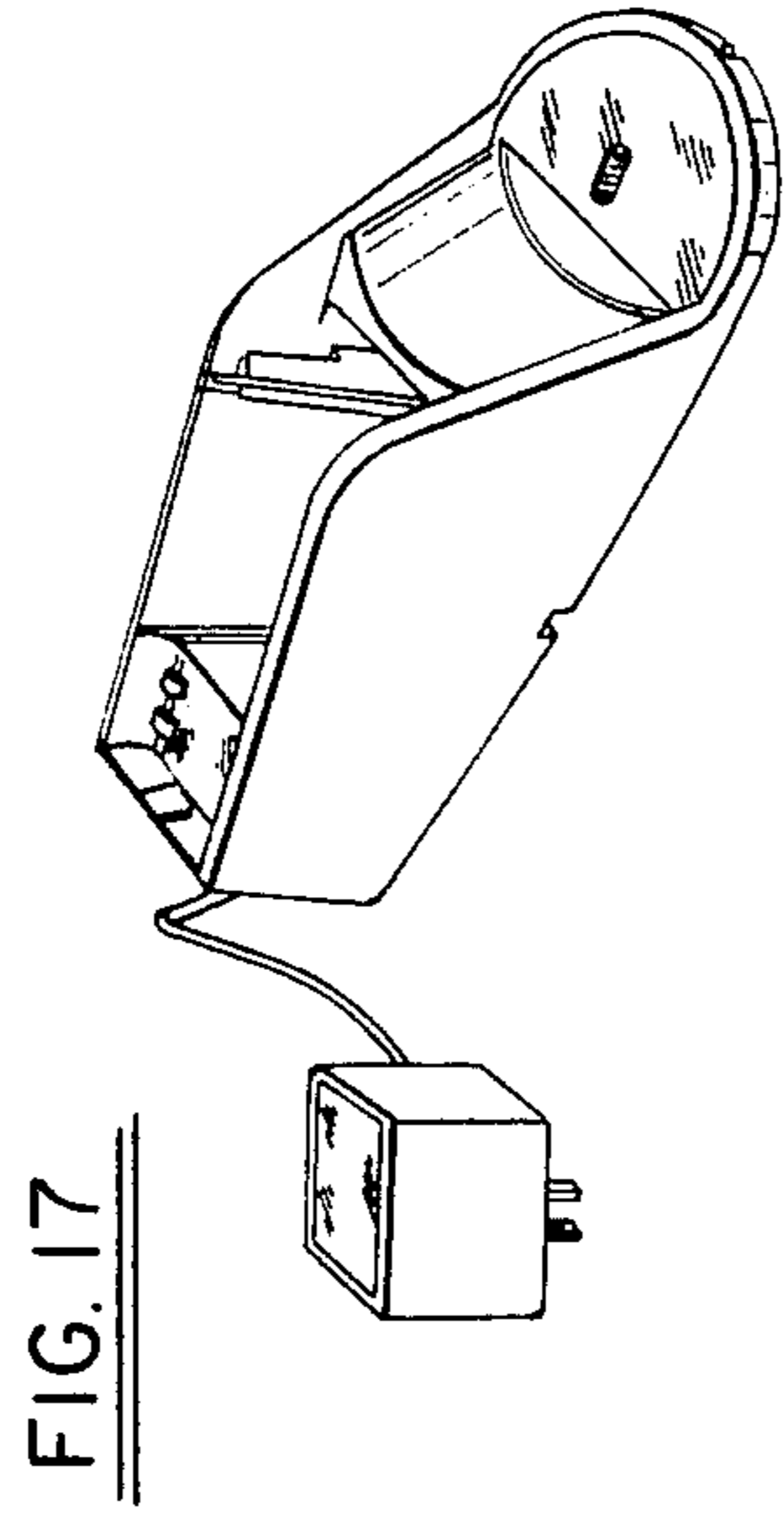
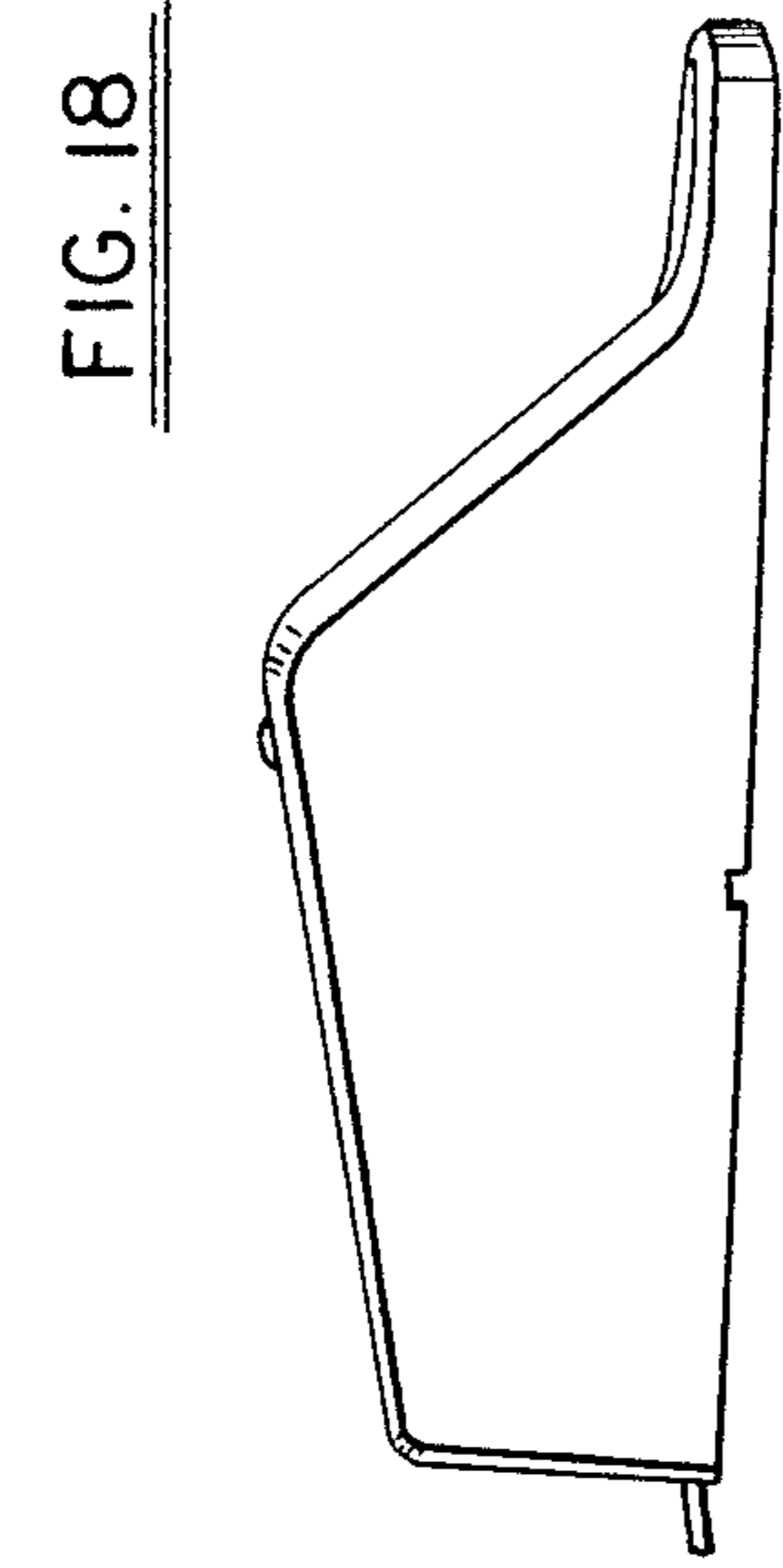


FIG. 15



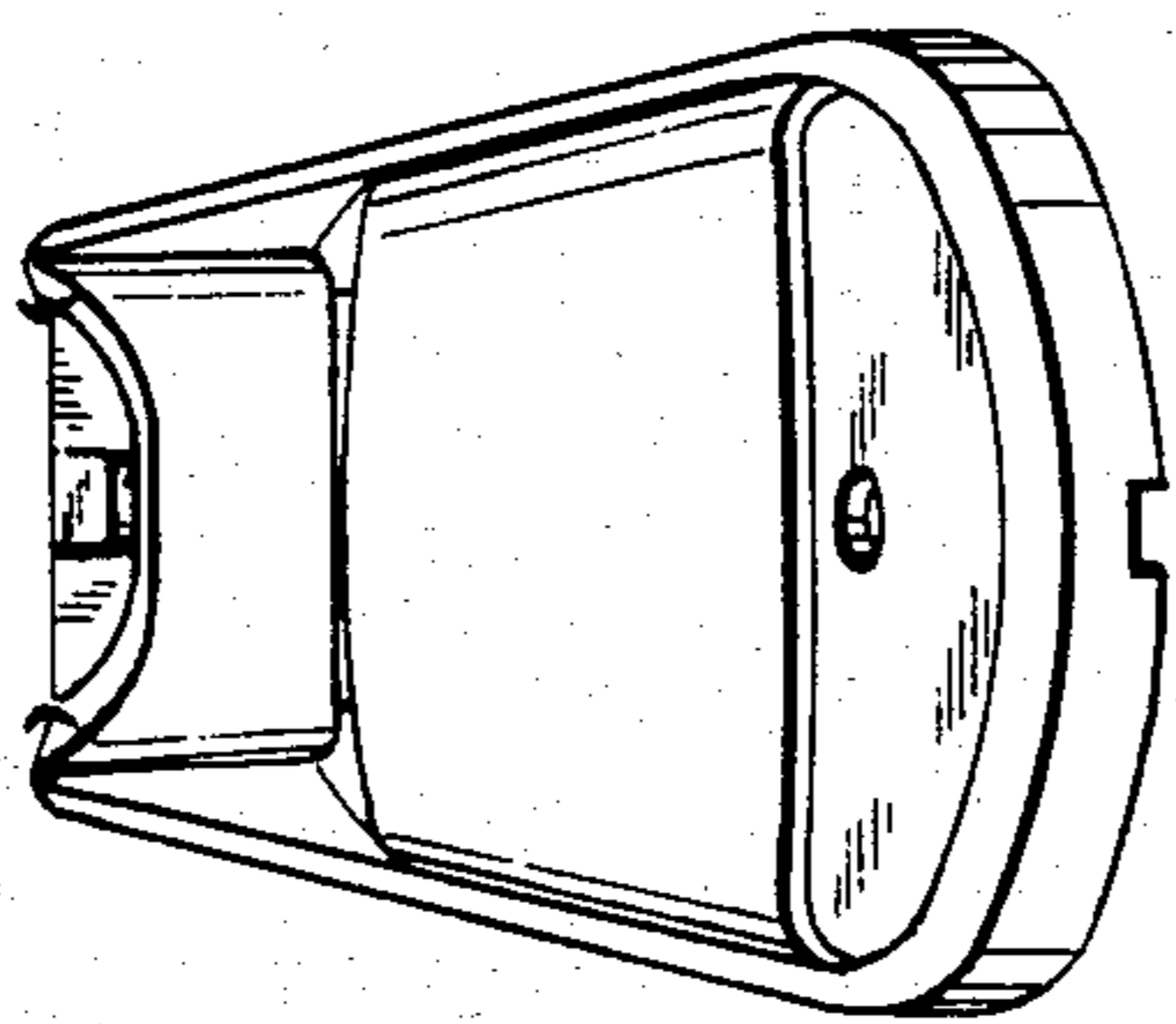


FIG. 22

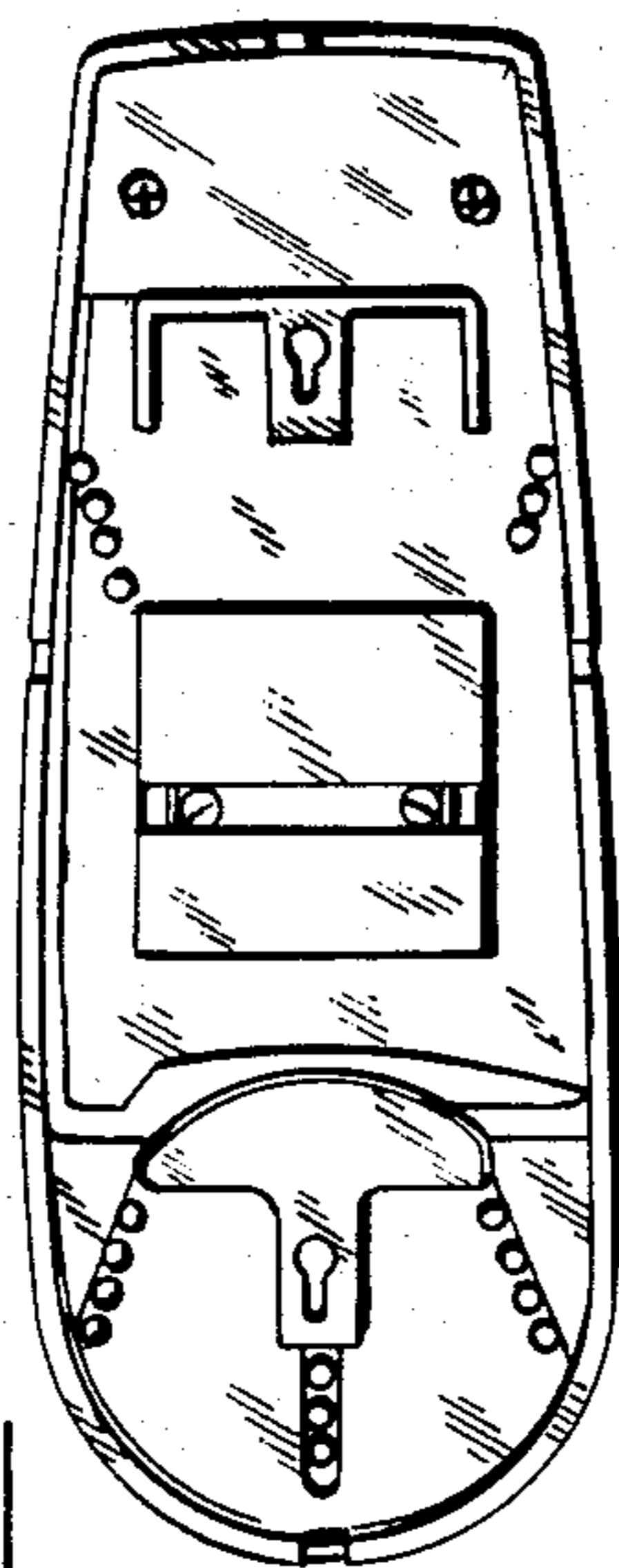


FIG. 21

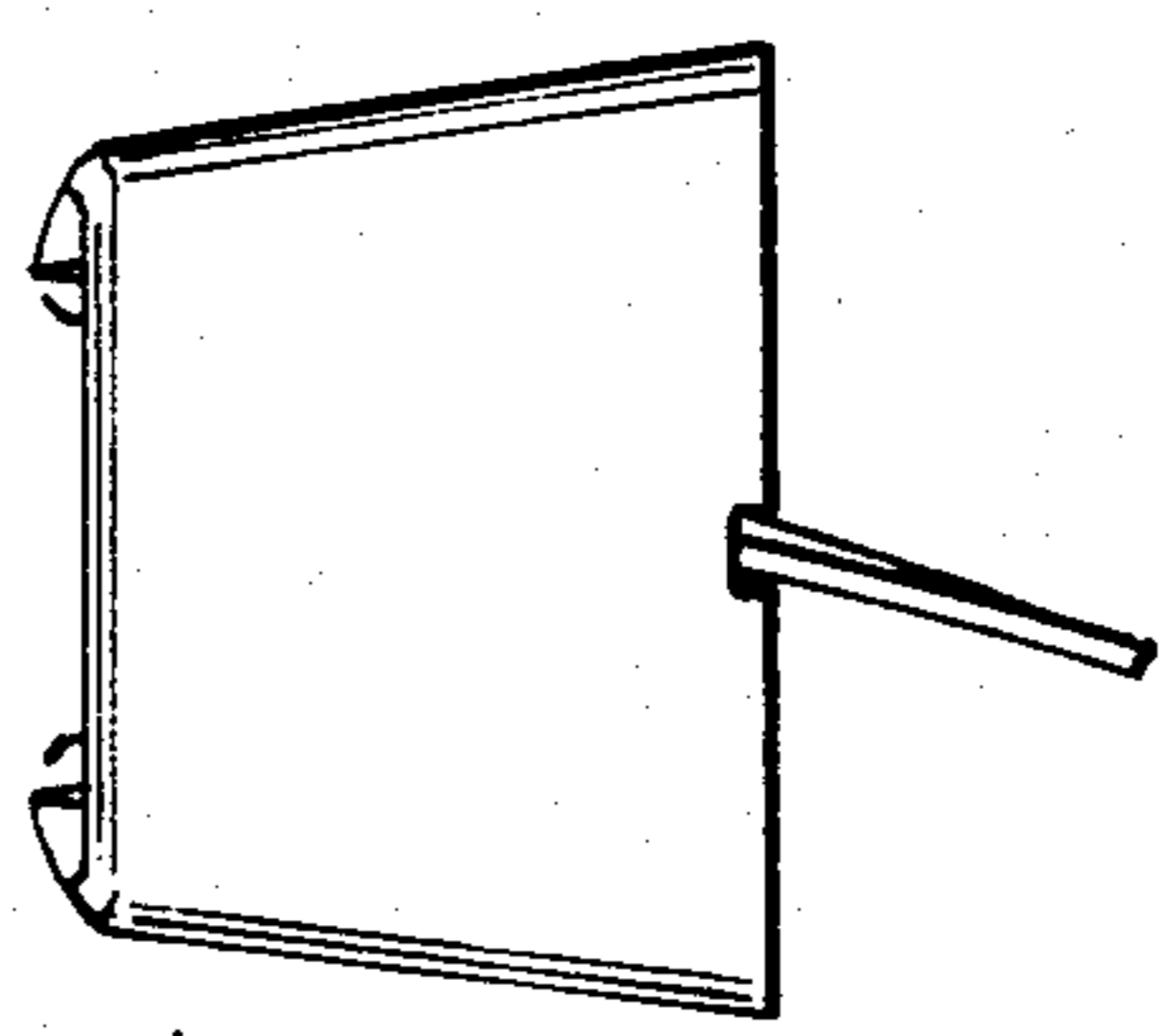


FIG. 23