

[54] **PALLET**

[76] **Inventor: Henry W. Helmer, 10 Colony Rd.,
Gretna, La. 70053**

[**] **Term: 14 Years**

[21] **Appl. No.: 457,043**

[22] **Filed: Jan. 10, 1983**

[52] **U.S. Cl. D34/38**

[58] **Field of Search D34/38; 108/51.1, 57.1**

[56] **References Cited**

U.S. PATENT DOCUMENTS

2,372,055	2/1944	Braun	108/51.1
2,973,931	3/1961	Brown	108/57.1
3,938,448	2/1976	Nishitani et al.	108/51.1

FOREIGN PATENT DOCUMENTS

2019275	11/1971	Fed. Rep. of Germany	108/51.1
129084	8/1950	Sweden	108/51.1

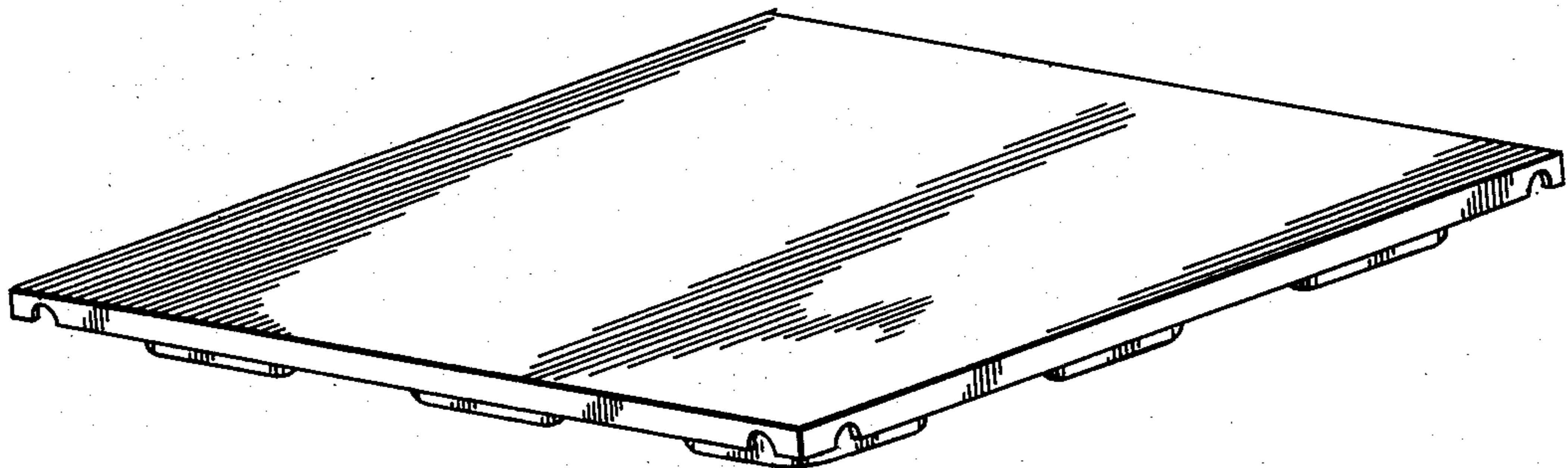
Primary Examiner—James M. Gandy
Assistant Examiner—Kay H. Chin
Attorney, Agent, or Firm—Bode & Smith

[57] **CLAIM**

The ornamental design for a pallet, as shown and described.

DESCRIPTION

FIG. 1 is a top perspective view of a pallet showing my new design;
FIG. 2 is a bottom perspective view thereof; and
FIG. 3 is a bottom plan view thereof.



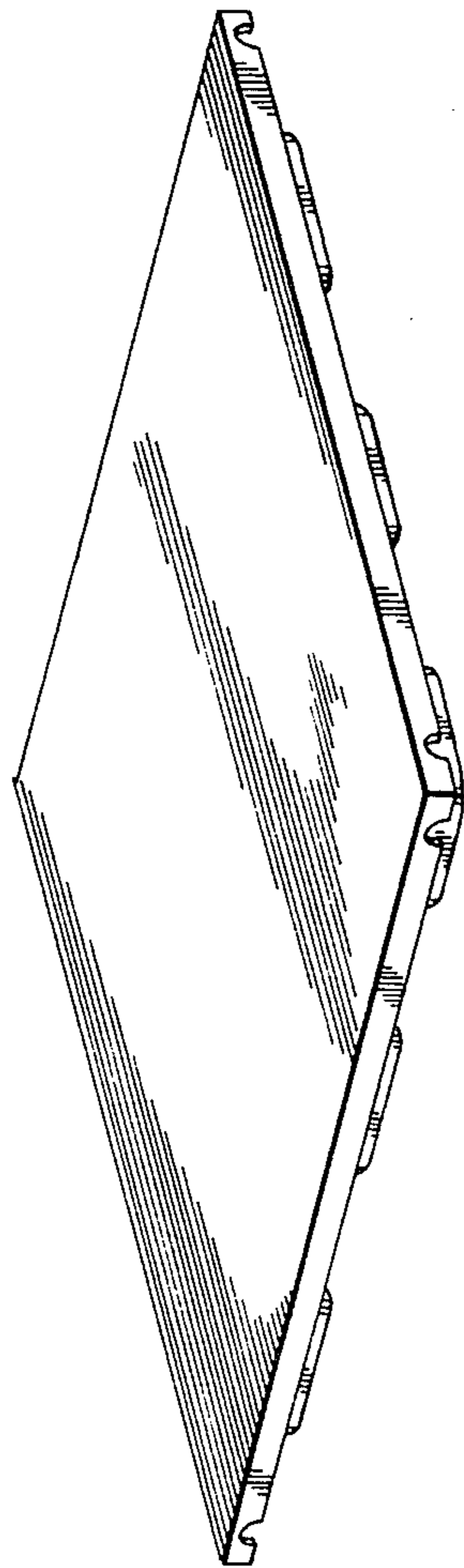


Fig. 1

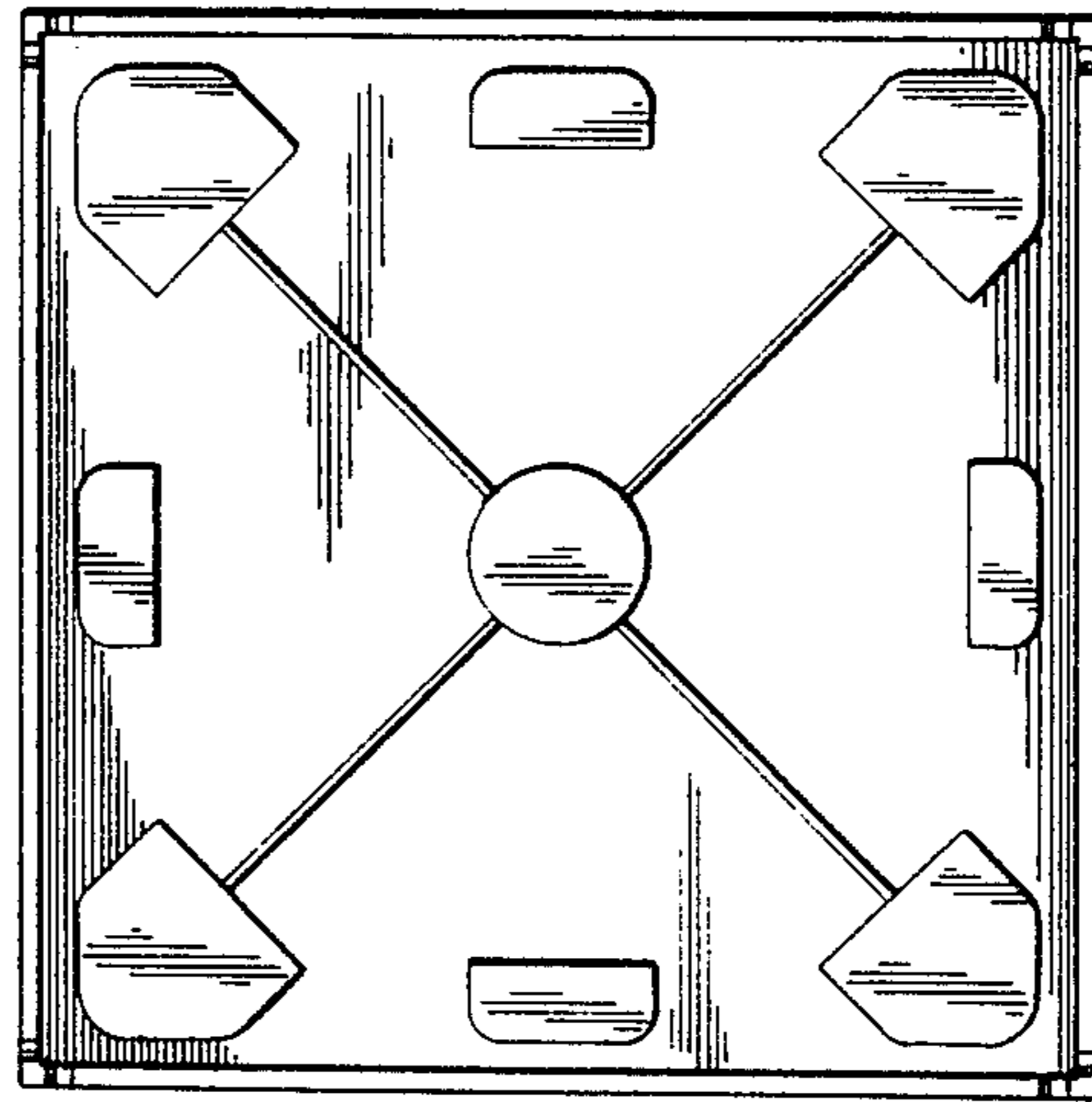


Fig. 3

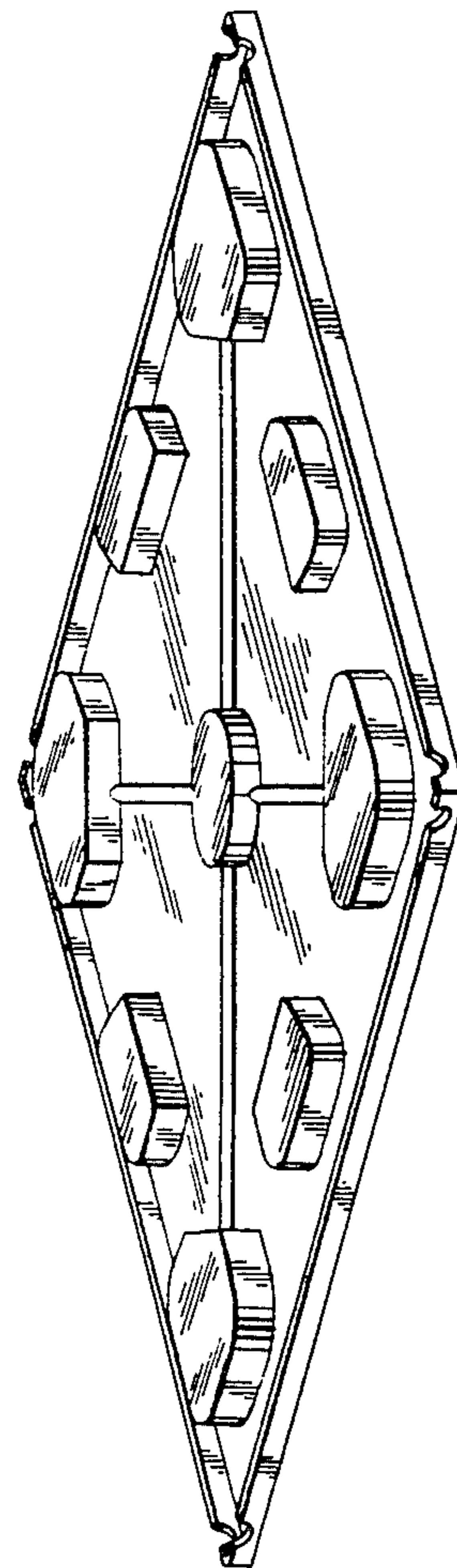


Fig. 2